



US00D889426S

(12) **United States Design Patent** (10) **Patent No.:** **US D889,426 S**
Fu (45) **Date of Patent:** **** Jul. 7, 2020**

(54) **PORTABLE ELECTRIC NAIL DRILL MACHINE**

(71) Applicant: **Huan-Jie Fu**, Guangdong (CN)

(72) Inventor: **Huan-Jie Fu**, Guangdong (CN)

(**) Term: **15 Years**

(21) Appl. No.: **29/678,583**

(22) Filed: **Jan. 30, 2019**

(51) **LOC (12) Cl.** **14-03**

(52) **U.S. Cl.**
USPC **D14/159**

(58) **Field of Classification Search**
USPC D14/167, 154, 168, 188, 496, 156, 160,
D14/161, 162, 163, 164, 165, 158, 253,
D14/192, 159, 155, 138 AB, 137, 104.1;
455/351, 350, 353; D10/104, 106, 65,
D10/78; 340/573.4, 573.1
CPC . G06F 3/16; G08B 3/00; H04M 11/00; H04N
7/14; H04N 7/26
See application file for complete search history.

(56) **References Cited**

U.S. PATENT DOCUMENTS

D649,135 S * 11/2011 Hocherman D14/159
D665,767 S * 8/2012 Hancock D14/159

D740,782 S * 10/2015 Thomas D14/159
D763,220 S * 8/2016 Deng D14/159
D788,061 S * 5/2017 Siminoff D10/118.2
D795,833 S * 8/2017 Zhou D14/159
D823,277 S * 7/2018 Hagenauer D14/159
D840,368 S * 2/2019 Deng D14/159
D860,966 S * 9/2019 Deng D14/159
D868,020 S * 11/2019 Deng D14/159
D868,724 S * 12/2019 Xie D14/159
D878,320 S * 3/2020 Sandberg D14/159

* cited by examiner

Primary Examiner — Austin Murphy
(74) *Attorney, Agent, or Firm* — W&K IP

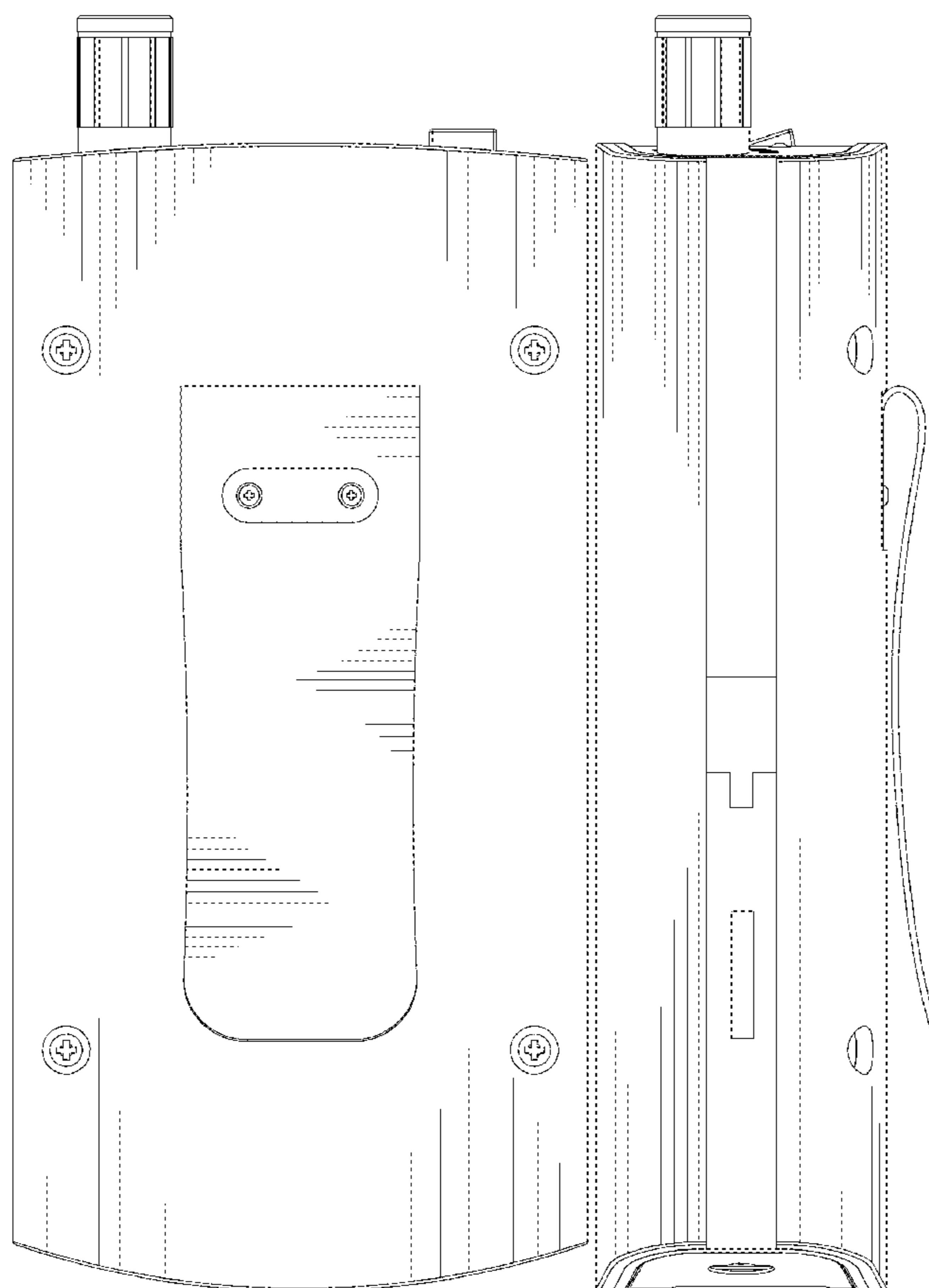
(57) **CLAIM**

The ornamental design for a portable electric nail drill machine, as shown and described.

DESCRIPTION

FIG. 1 is a perspective view of a portable electric nail drill machine showing my new design;
FIG. 2 is a front elevational view thereof;
FIG. 3 is a top plan view thereof;
FIG. 4 is a left side elevational view thereof;
FIG. 5 is a rear elevational view thereof;
FIG. 6 is a right side view; and,
FIG. 7 is a bottom plan view thereof.

1 Claim, 7 Drawing Sheets



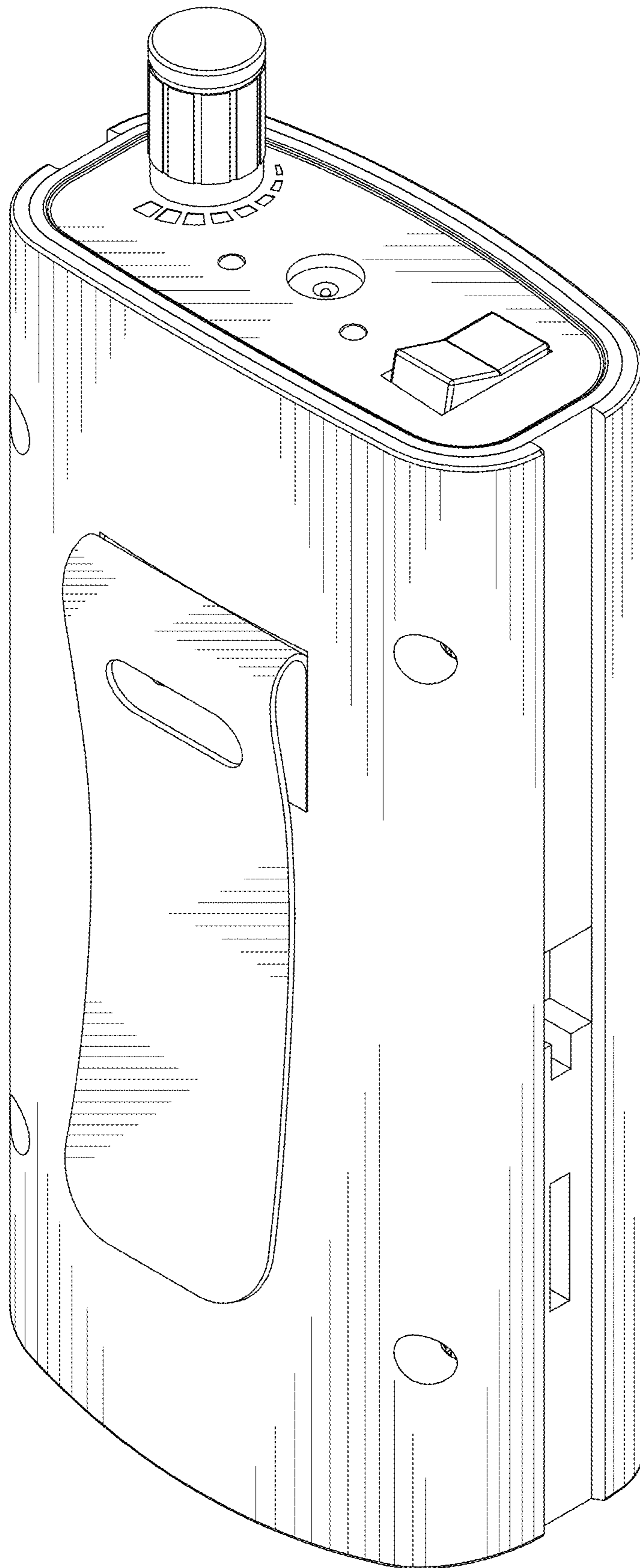


FIG. 1

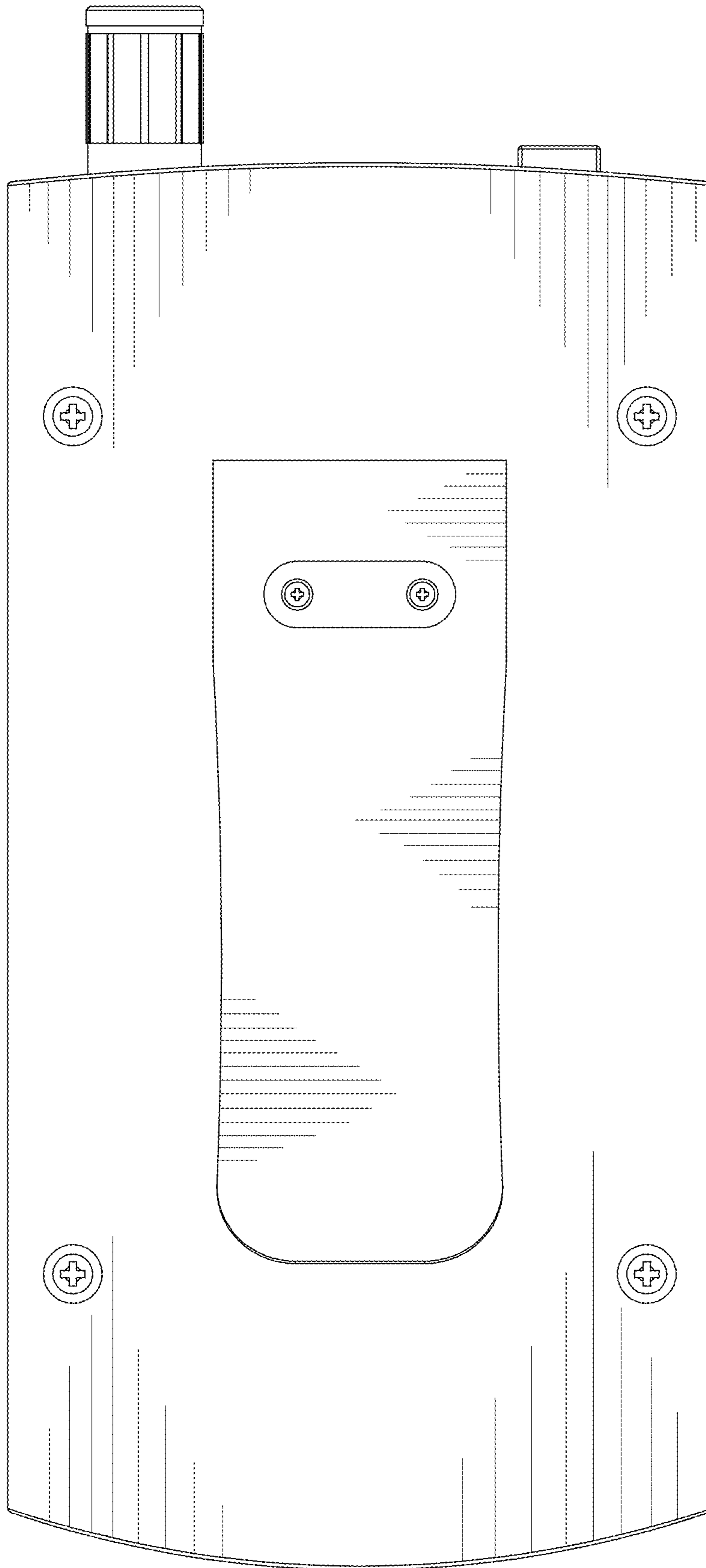


FIG. 2

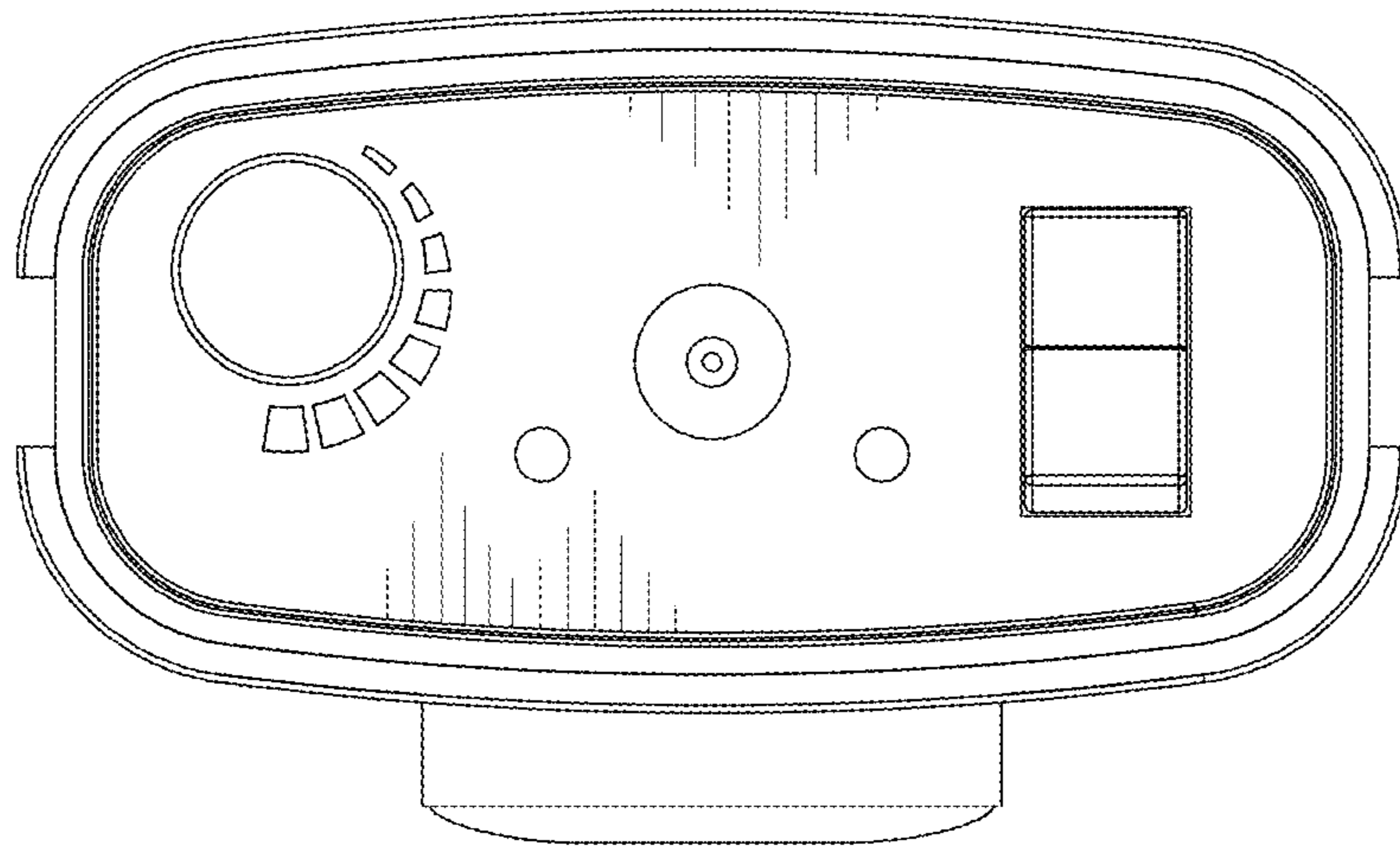


FIG. 3

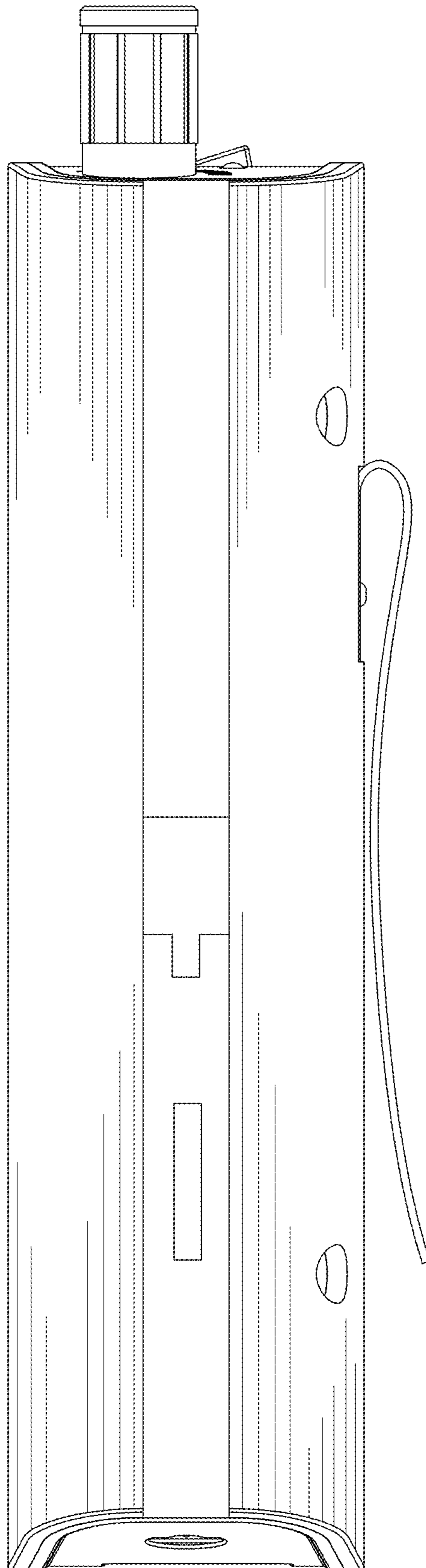


FIG. 4

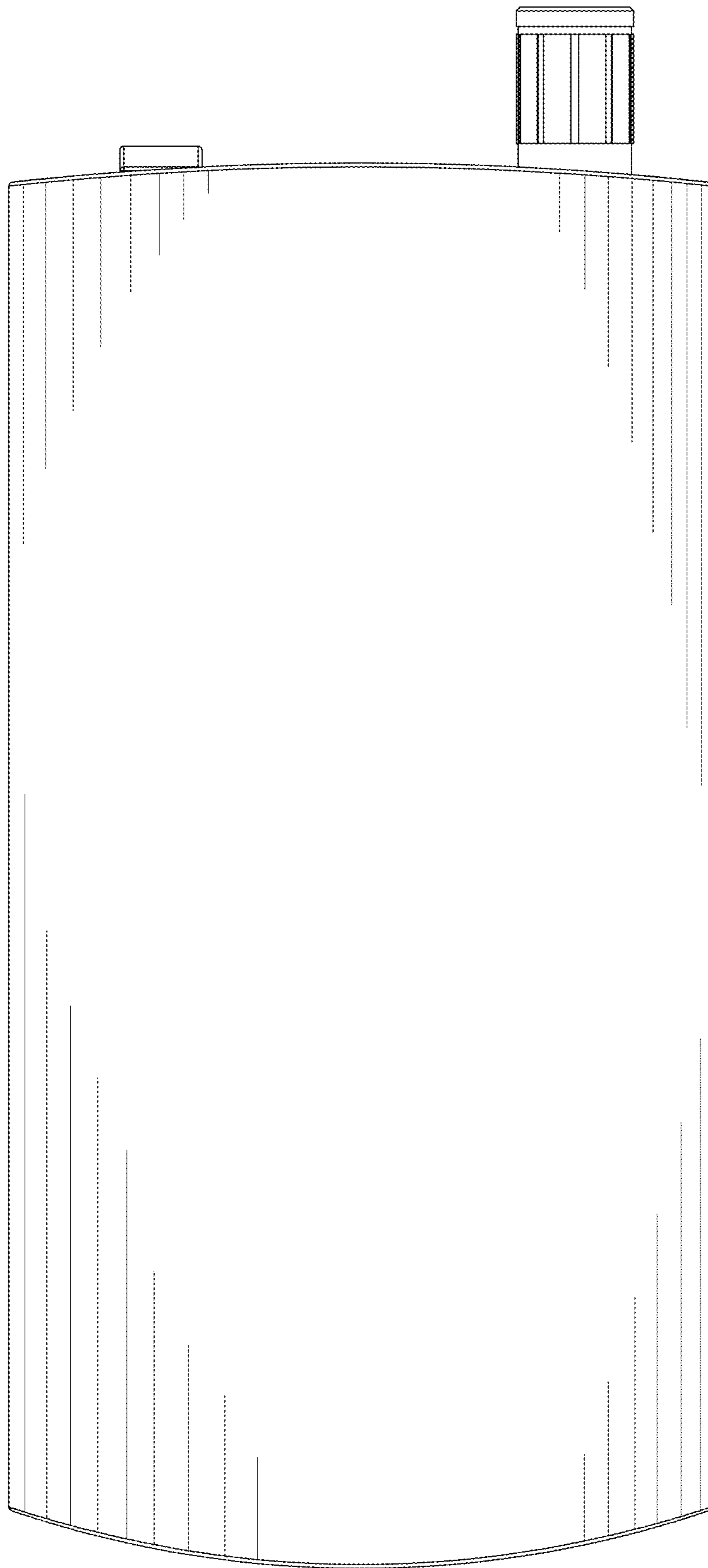


FIG. 5

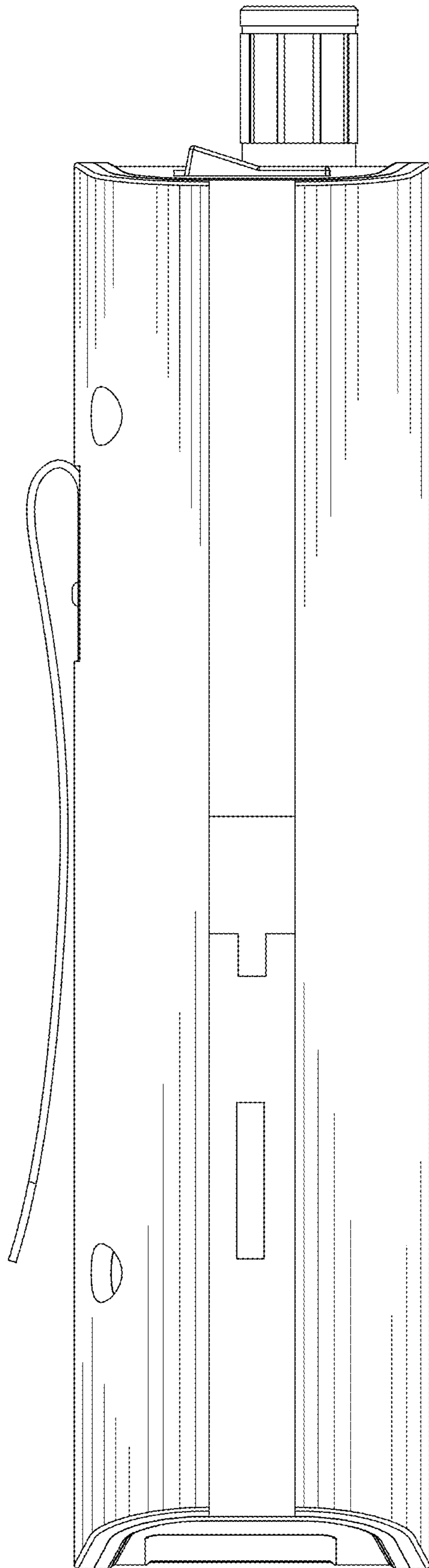


FIG. 6

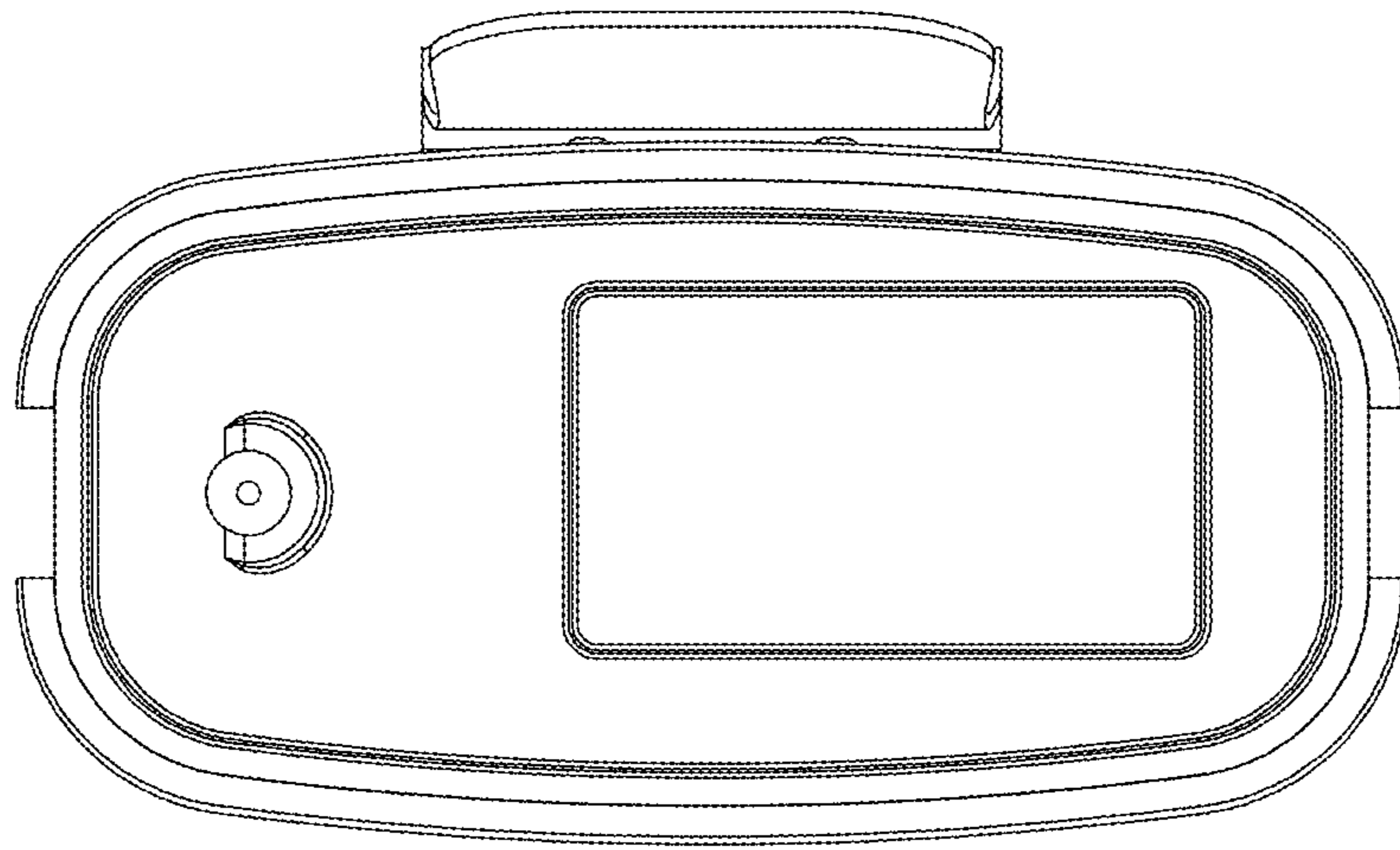


FIG. 7