



US00D889424S

(12) **United States Design Patent**
Chen

(10) **Patent No.:** **US D889,424 S**

(45) **Date of Patent:** **** Jul. 7, 2020**

(54) **WALKIE TALKIE**

(71) Applicant: **Yanbin Chen**, Guangzhou (CN)

(72) Inventor: **Yanbin Chen**, Guangzhou (CN)

(**) Term: **15 Years**

(21) Appl. No.: **29/676,677**

(22) Filed: **Jan. 14, 2019**

(51) **LOC (12) Cl.** **14-03**

(52) **U.S. Cl.**
USPC **D14/137**

(58) **Field of Classification Search**

USPC D14/137, 138 R, 138 AA, 138 AD
CPC .. H04B 1/3833; H04B 1/3827; H04B 1/3855;
H04B 2001/3861; H04M 1/0202; H04M
1/03; H04M 1/035

See application file for complete search history.

(56) **References Cited**

U.S. PATENT DOCUMENTS

D496,637 S * 9/2004 Miyazawa D14/138 AA
D510,332 S * 10/2005 Haase D14/137
8,135,149 B2 * 3/2012 Yoshida H04R 3/007
367/163
D677,230 S * 3/2013 Ooi D14/137
D761,224 S * 7/2016 Khairudin D14/137
D810,040 S * 2/2018 Nakagawa D14/137

D816,632 S * 5/2018 Yamamoto D14/137
D842,830 S * 3/2019 Nishida D14/137
2013/0287213 A1 * 10/2013 Sekiyama H03G 3/20
381/55

* cited by examiner

Primary Examiner — Bridget L Eland

(74) *Attorney, Agent, or Firm* — Law Offices of Steven
W. Weinrieb

(57) **CLAIM**

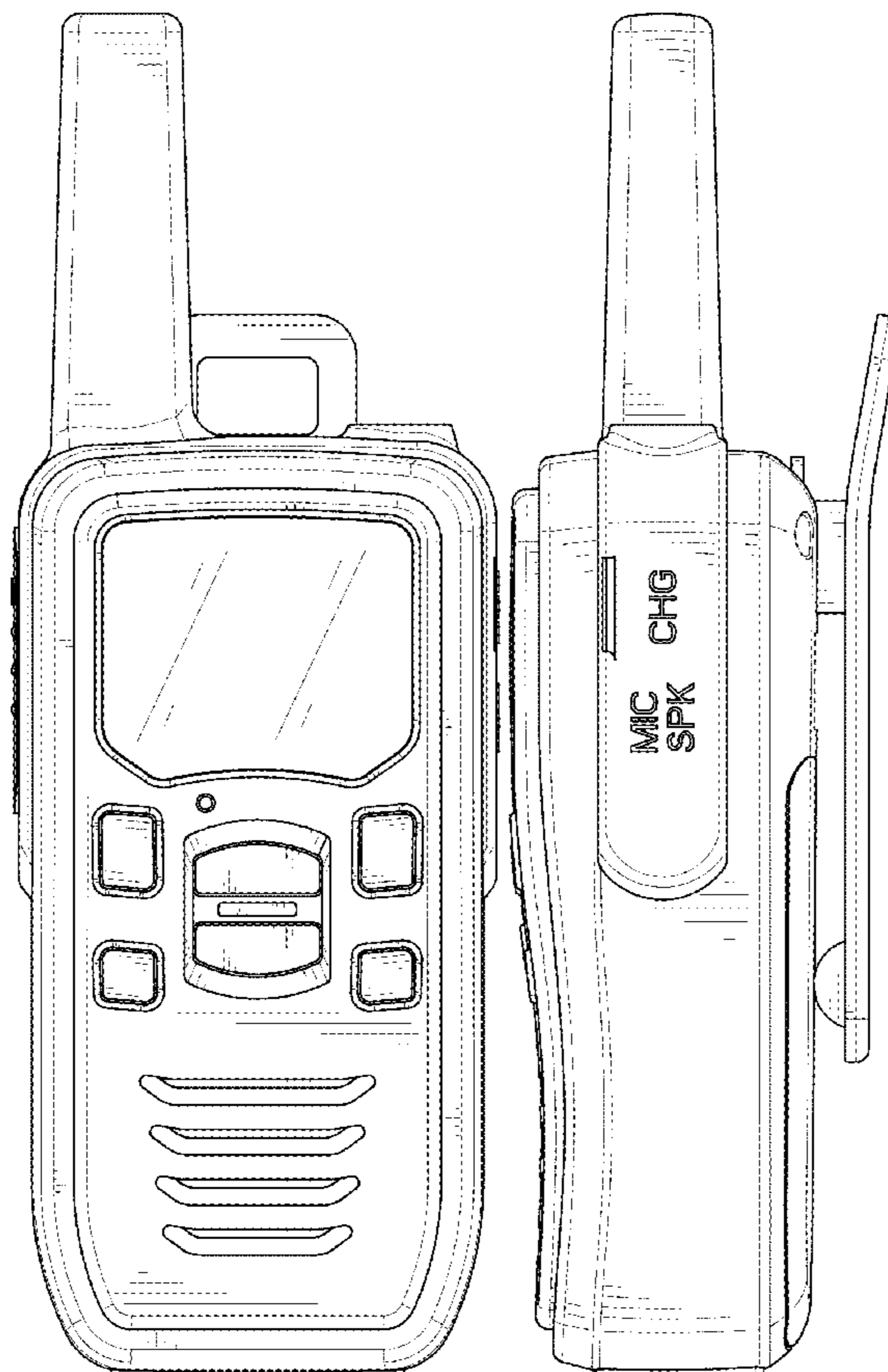
The ornamental design for a walkie talkie, as shown and described.

DESCRIPTION

FIG. 1 is a front, right side, top, perspective view of the walkie talkie showing my new design; FIG. 2 is a rear, left side, bottom perspective view thereof; FIG. 3 is a front elevational view thereof; FIG. 4 is a rear elevational view thereof; FIG. 5 is a left side elevational view thereof; FIG. 6 is a right side elevational view thereof; FIG. 7 is a top plan view thereof; and, FIG. 8 is a bottom plan view thereof.

The broken lines immediately adjacent to the claimed portions are boundaries, all other broken lines are environmental structures; all the broken lines form no part of the claimed design.

1 Claim, 8 Drawing Sheets



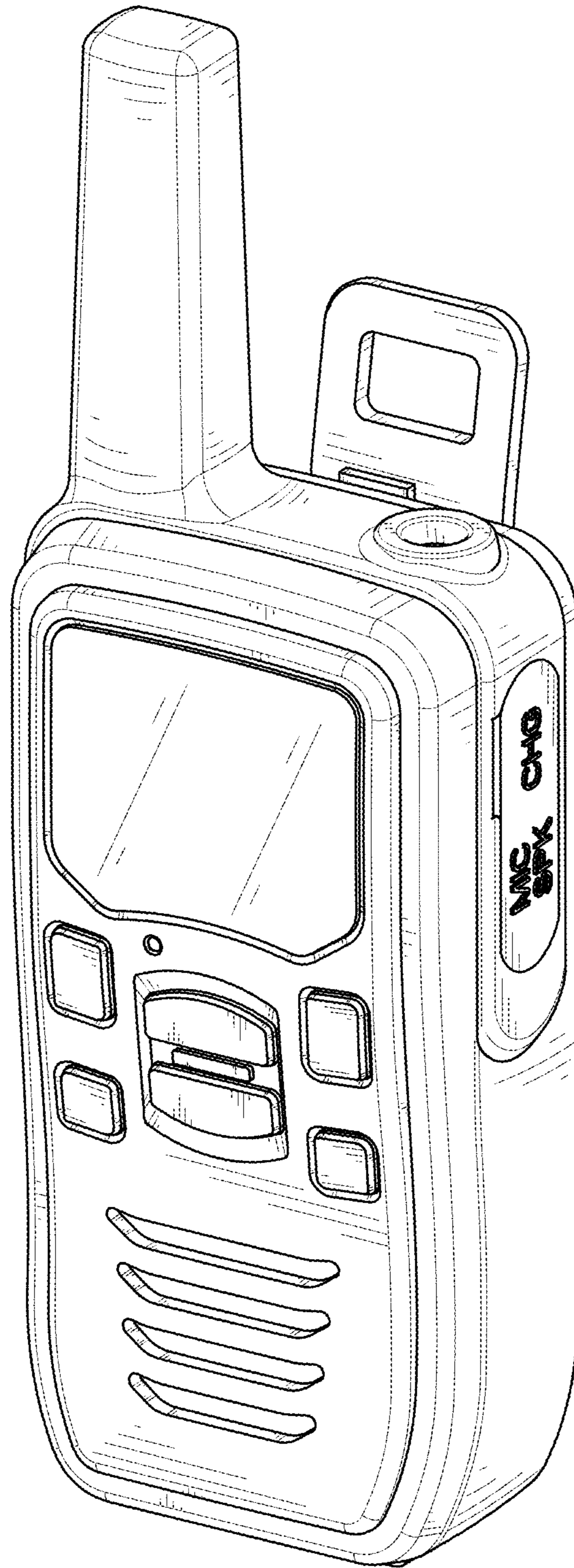


FIG. 1

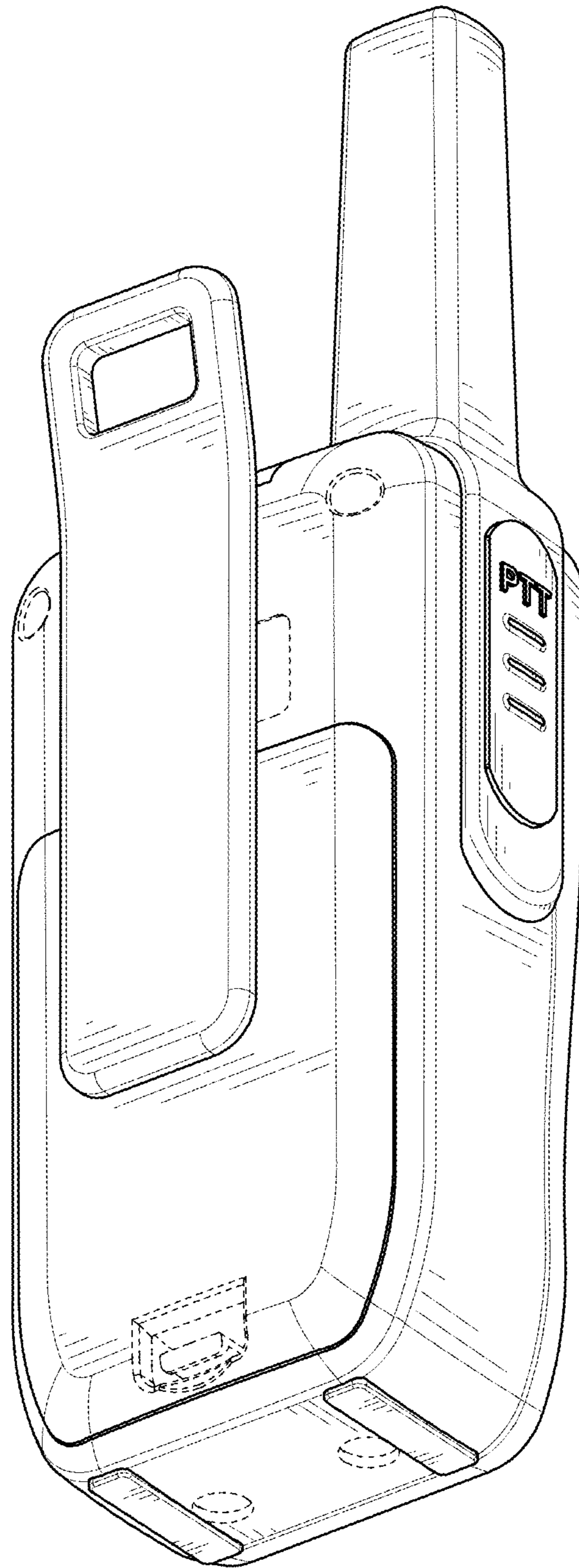


FIG. 2

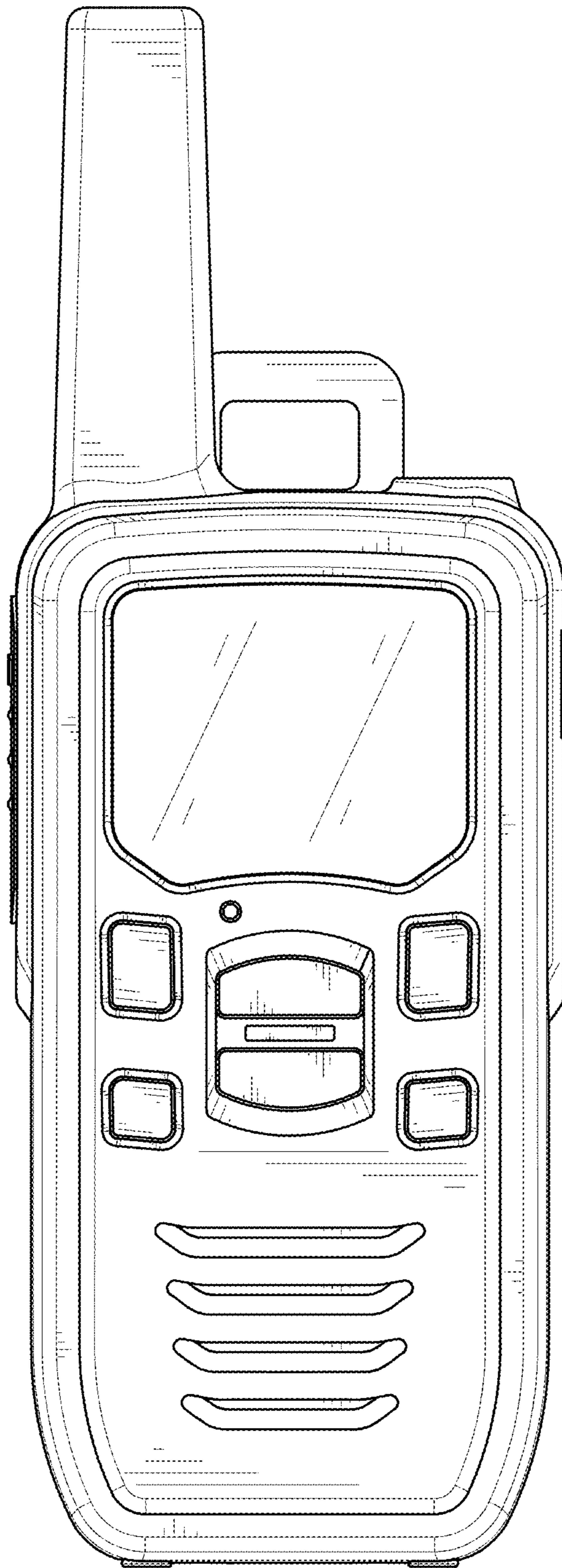


FIG. 3

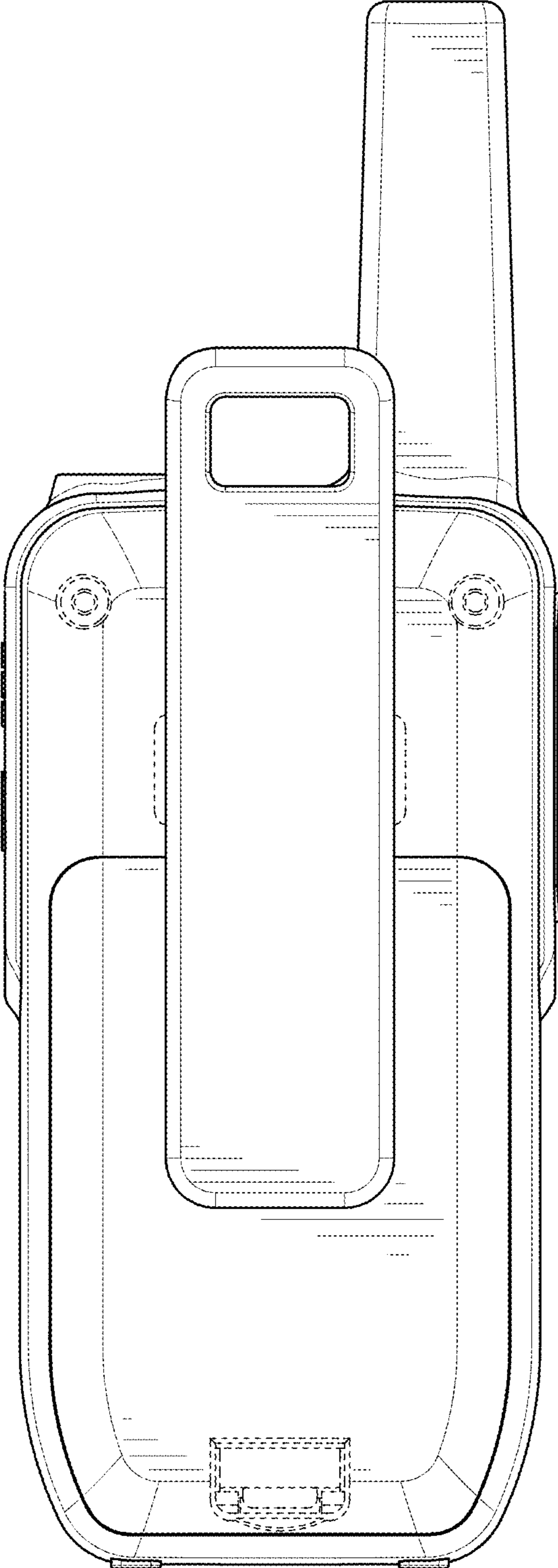


FIG. 4

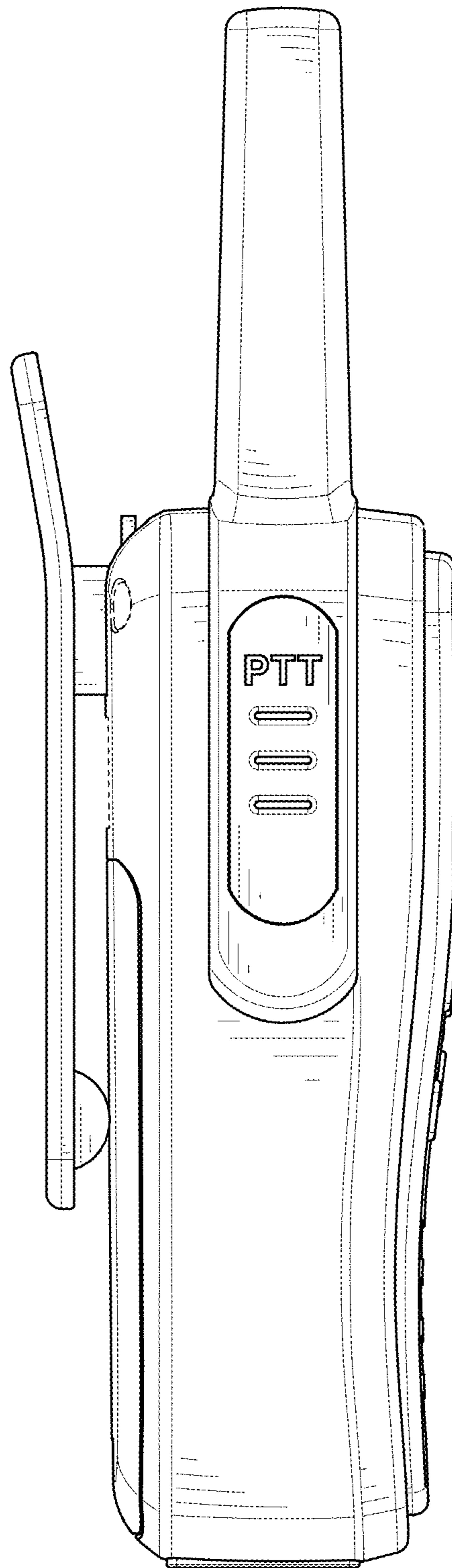


FIG. 5

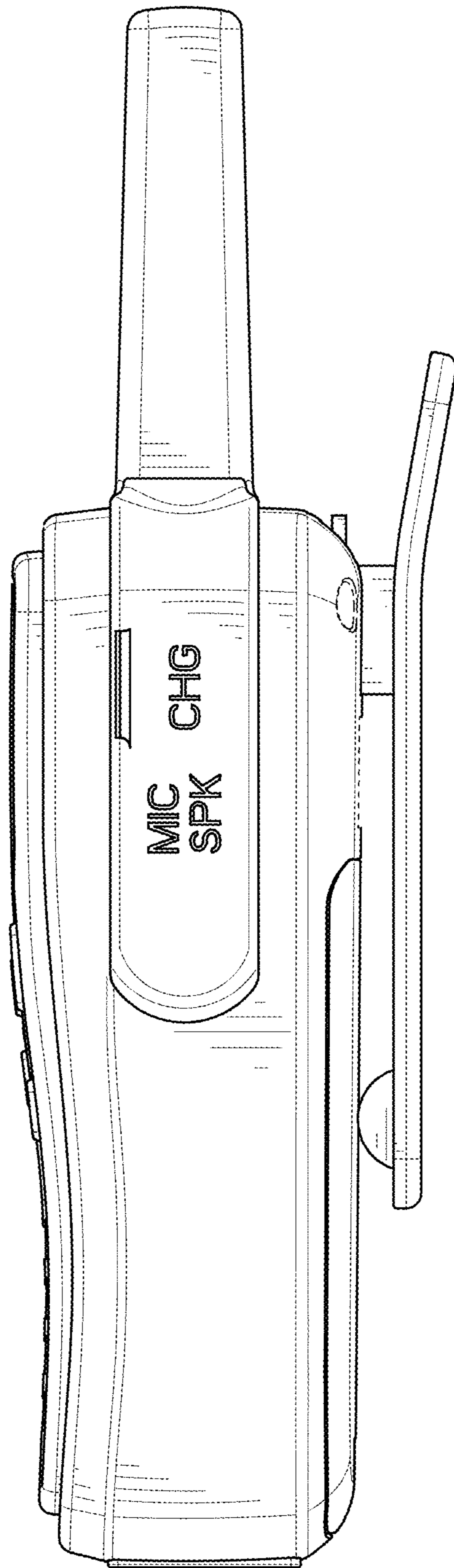


FIG. 6

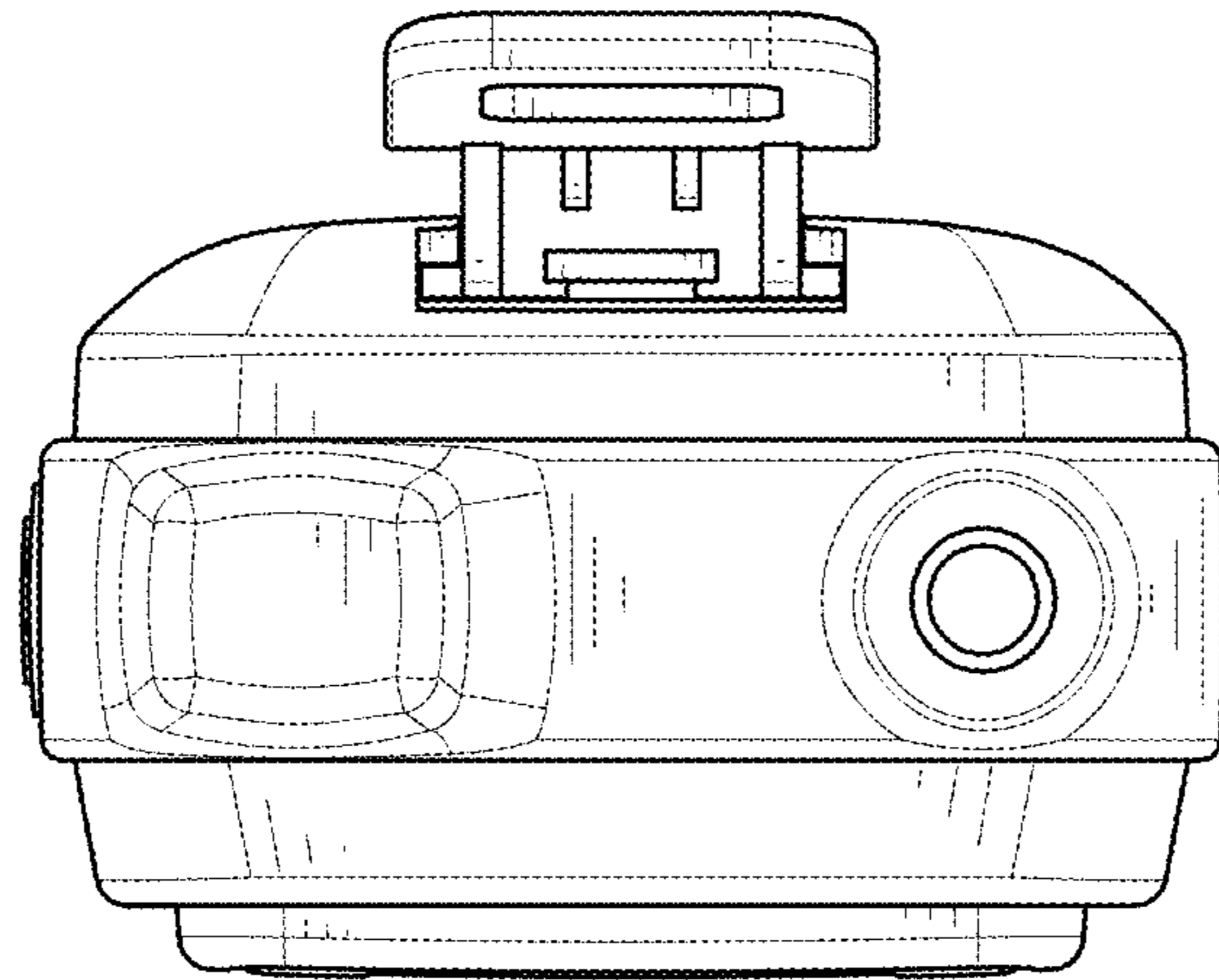


FIG. 7

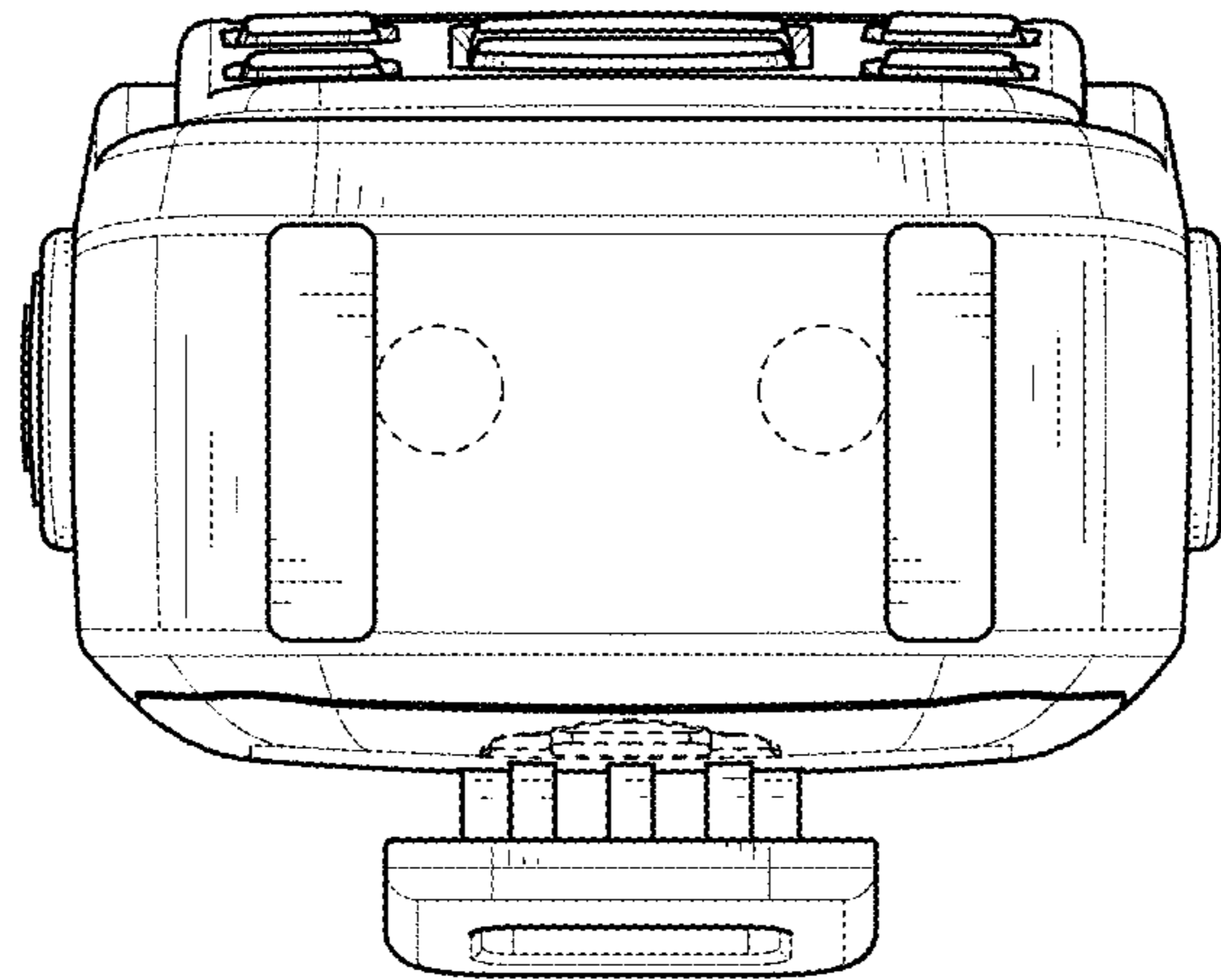


FIG. 8