



US00D889423S

(12) **United States Design Patent**  
**Beckedahl et al.**

(10) **Patent No.:** **US D889,423 S**  
(45) **Date of Patent:** **\*\* Jul. 7, 2020**

(54) **POWER MODULE**

(71) Applicant: **SEMIKRON ELEKTRONIK GMBH & CO. KG**, Nuremberg (DE)

(72) Inventors: **Peter Beckedahl**, Oberasbach (DE);  
**Juergen Steger**, Hiltpoltstein (DE);  
**Ingo Bogen**, Nuremberg (DE); **Sandro Bulovic**, Fürth (DE)

(73) Assignee: **SEMIKRON ELEKTRONIK GmbH & CO. KG**, Nuremberg (DE)

(\*\*) Term: **15 Years**

(21) Appl. No.: **29/672,108**

(22) Filed: **Dec. 3, 2018**

(51) **LOC (12) Cl.** ..... **13-03**

(52) **U.S. Cl.**  
USPC ..... **D13/182**

(58) **Field of Classification Search**  
USPC ..... D13/110, 158, 182, 184  
CPC ..... H05K 7/1432; H01L 23/04; H01L 23/473;  
H02M 7/003  
See application file for complete search history.

(56) **References Cited**

**U.S. PATENT DOCUMENTS**

D762,185 S *	7/2016	Muehlensiep	.....	D13/182
D798,832 S *	10/2017	Hayashida	.....	D13/182
D799,439 S *	10/2017	Hayashiguchi	.....	D13/182
D814,431 S *	4/2018	Matsumoto	.....	D13/182
10,090,774 B1 *	10/2018	Beckedahl	.....	H02M 7/003
10,163,761 B2 *	12/2018	Bogen	.....	H05K 7/1432

10,270,358 B2 *	4/2019	Kobolla	.....	H05K 1/0213
D853,978 S *	7/2019	Auer	.....	D13/182
D858,467 S *	9/2019	Sawada	.....	D13/182
D864,132 S *	10/2019	Sawada	.....	D13/182
2013/0134572 A1 *	5/2013	Lenniger	.....	H01L 23/367 257/690
2014/0168900 A1 *	6/2014	Korich	.....	H05K 7/1432 361/709
2014/0376184 A1 *	12/2014	Gohara	.....	H05K 7/20254 361/689
2015/0223339 A1 *	8/2015	Nakamura	.....	H01L 23/3735 361/705
2016/0276927 A1 *	9/2016	Das	.....	H01L 29/1608

\* cited by examiner

*Primary Examiner* — Selina Sikder

(74) *Attorney, Agent, or Firm* — Lackenbach Siegel, LLP;  
Andrew F. Young

(57) **CLAIM**

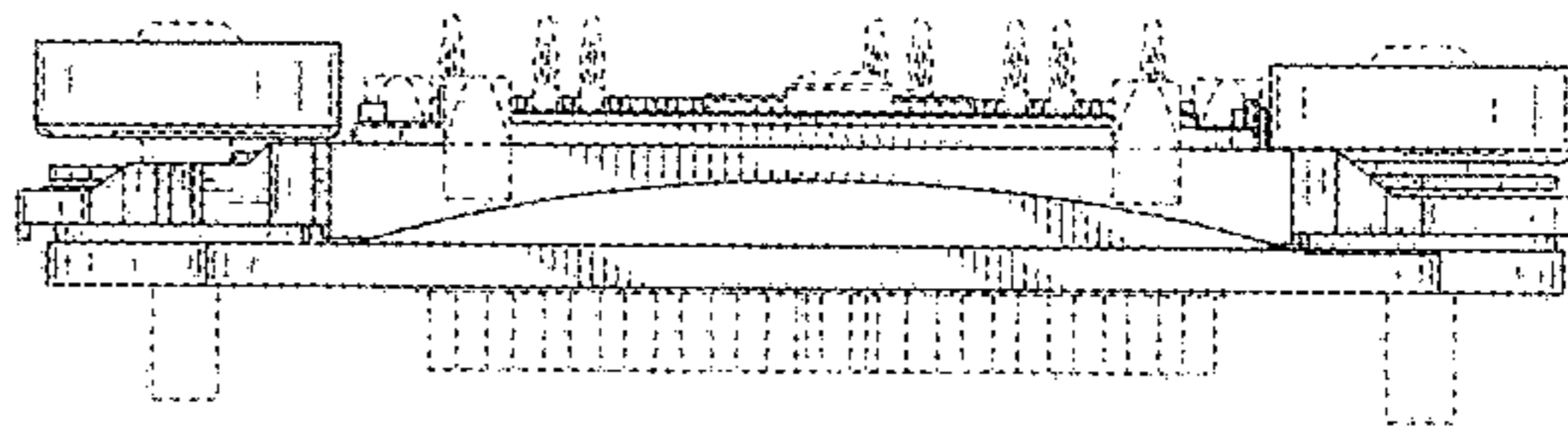
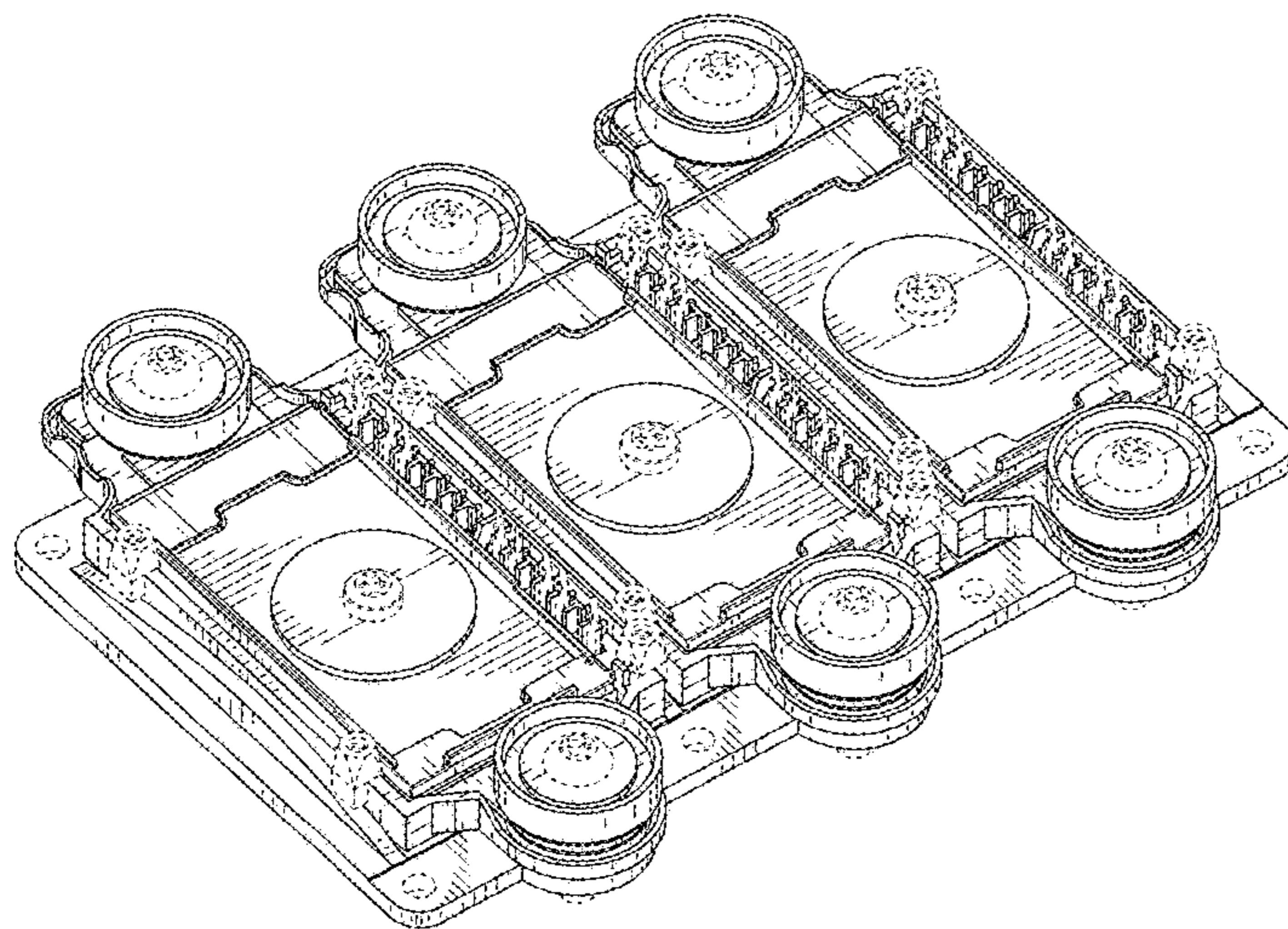
The ornamental design for a power module, as shown and described.

**DESCRIPTION**

FIG. 1 is a front top perspective view of a power module.  
FIG. 2 is a top plan view thereof.  
FIG. 3 is a bottom plan view thereof.  
FIG. 4 is a left side view thereof.  
FIG. 5 is a right side view thereof.  
FIG. 6 is a front view thereof; and,  
FIG. 7 is a rear view thereof.

The broken lines in the drawing show portions of power module that do not form a part of the claimed design.

**1 Claim, 5 Drawing Sheets**





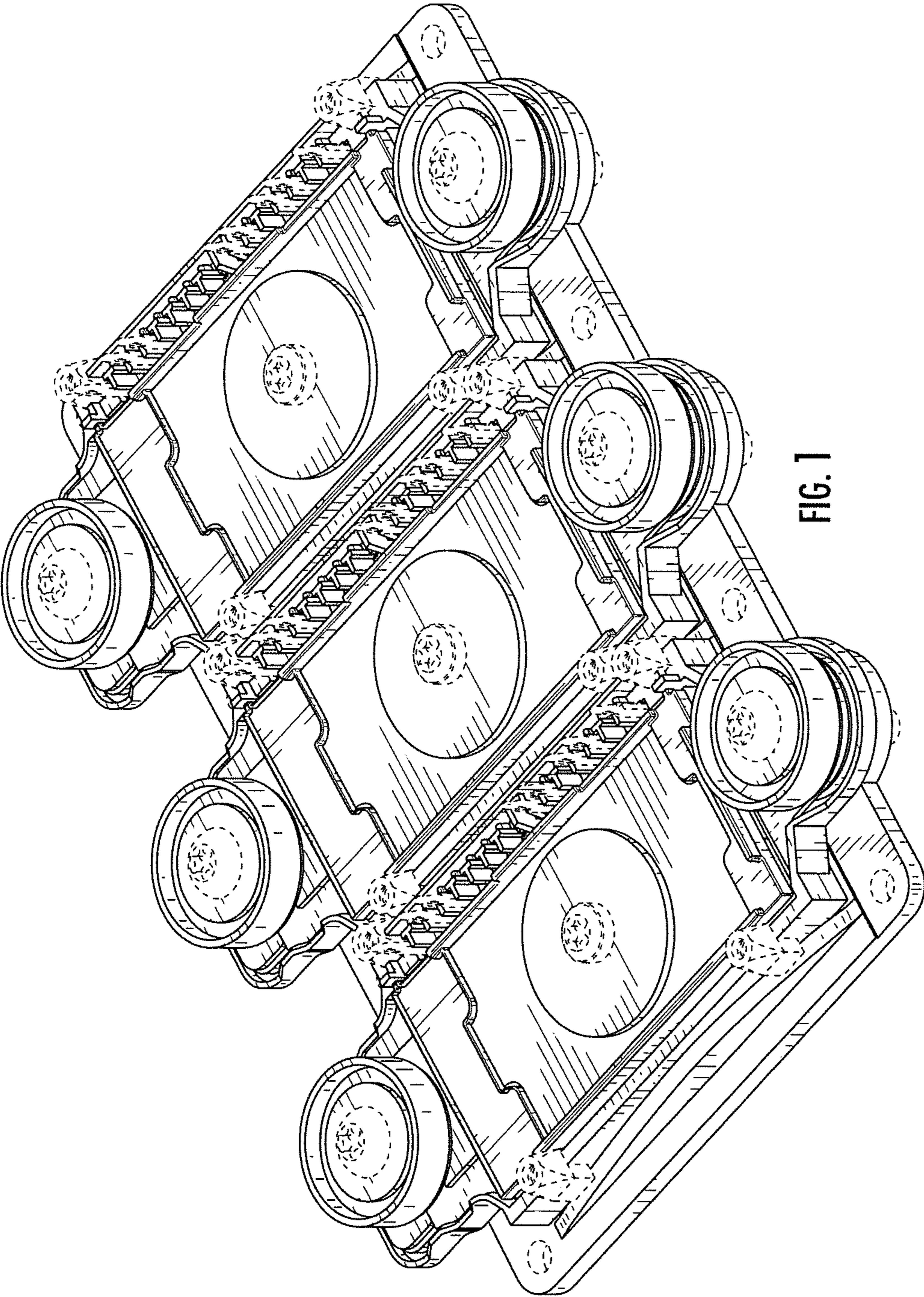


FIG. 1

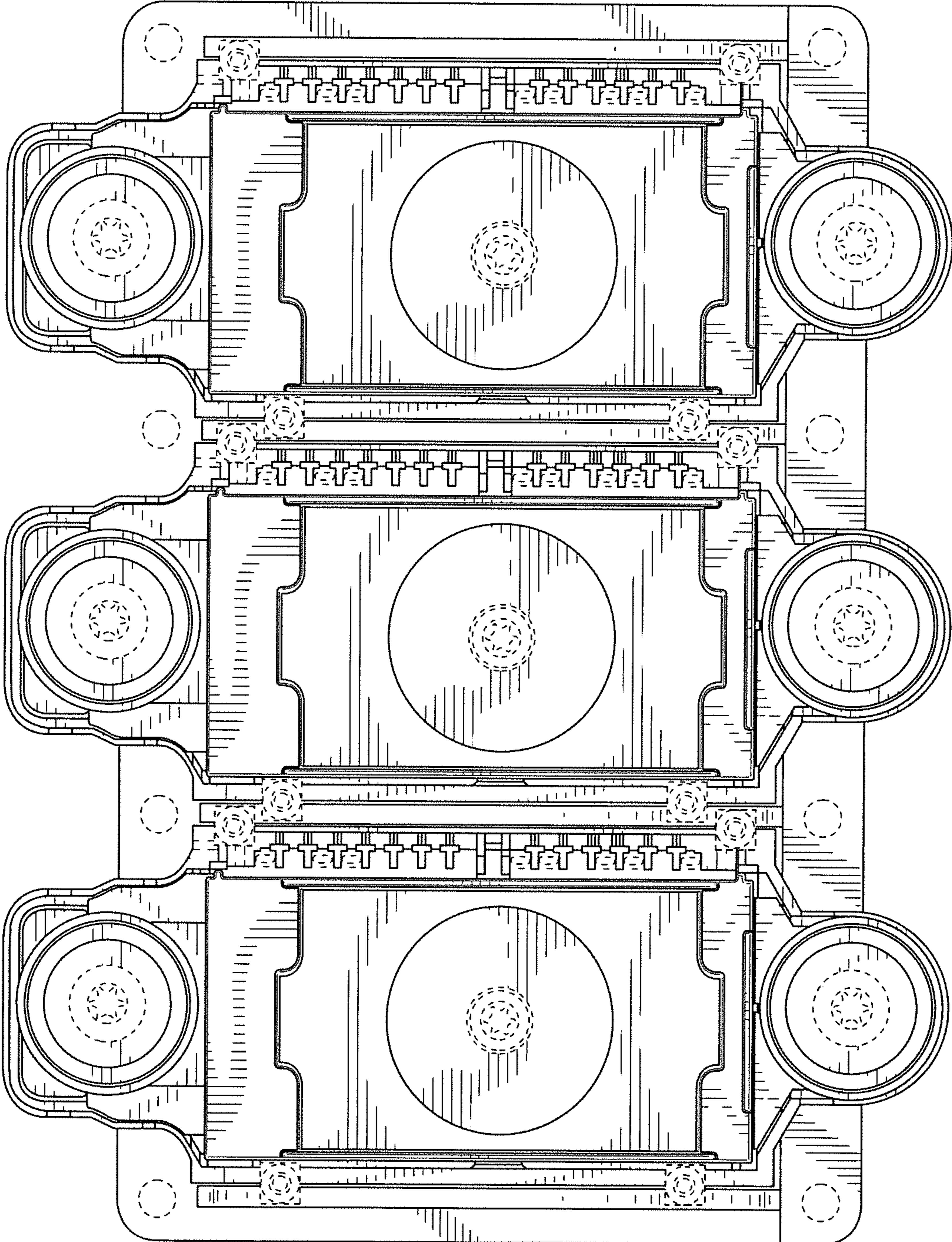


FIG. 2



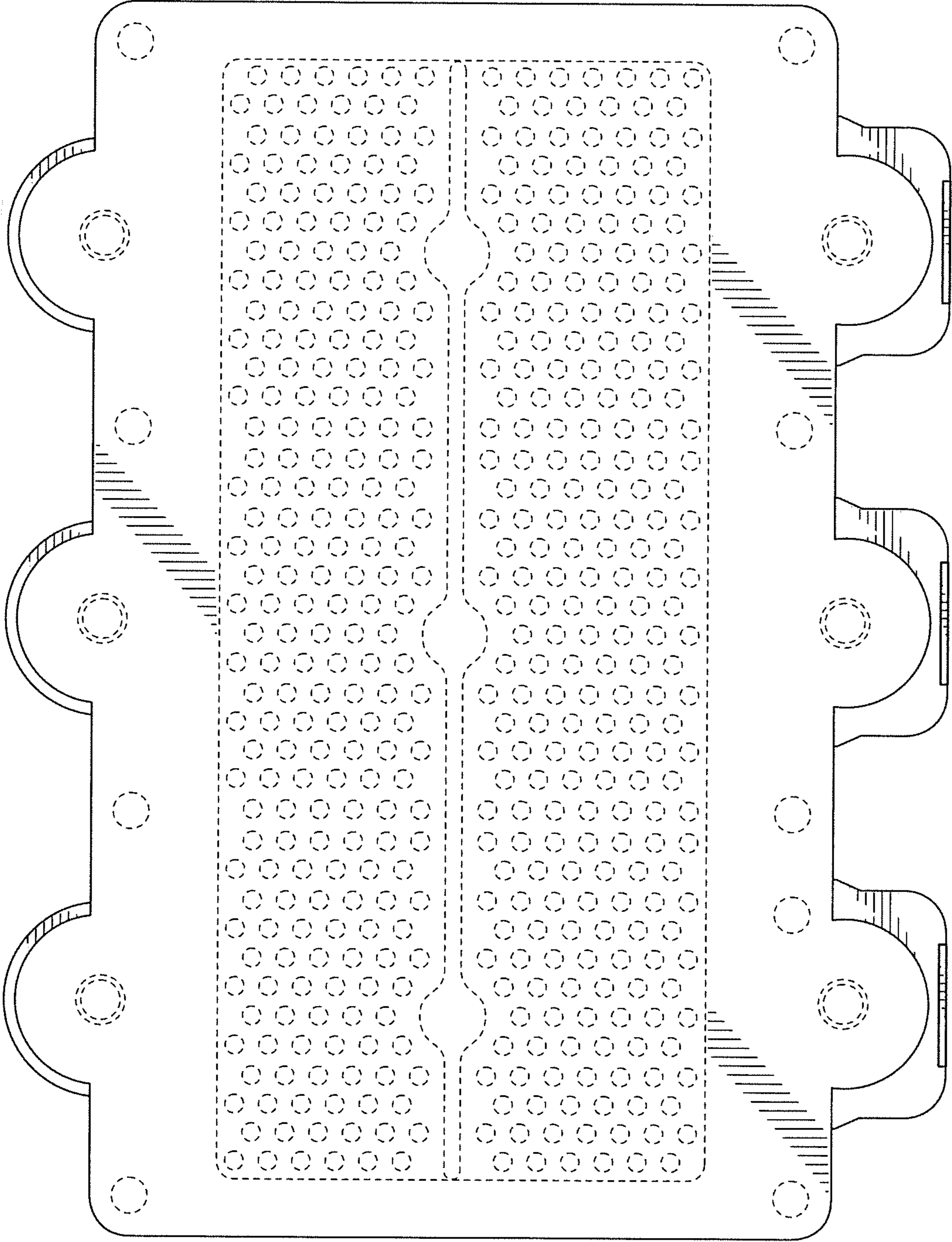


FIG. 3

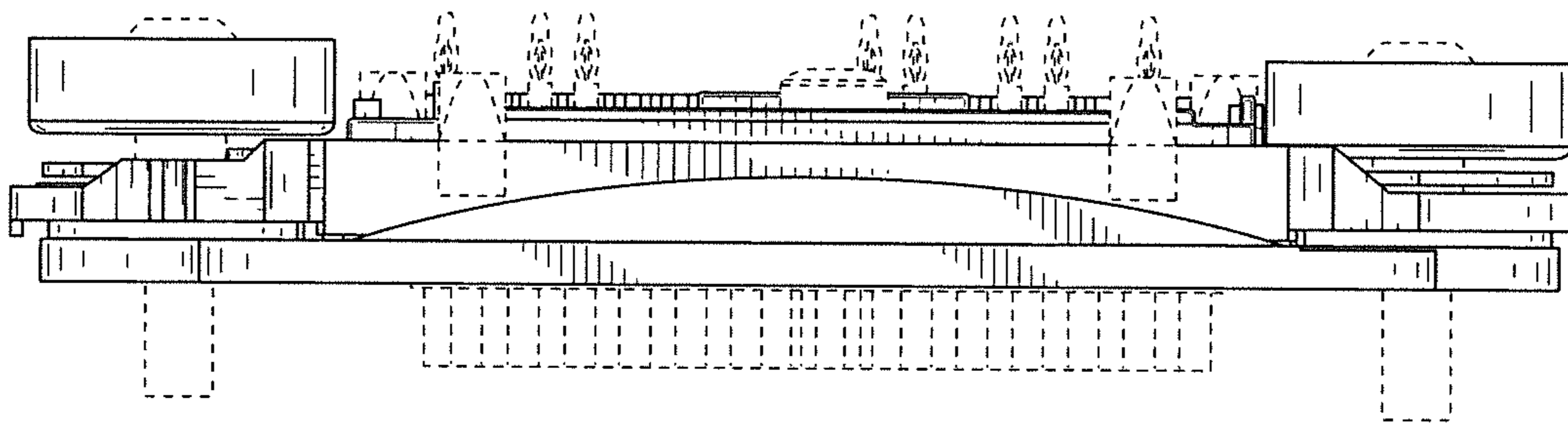


FIG. 4

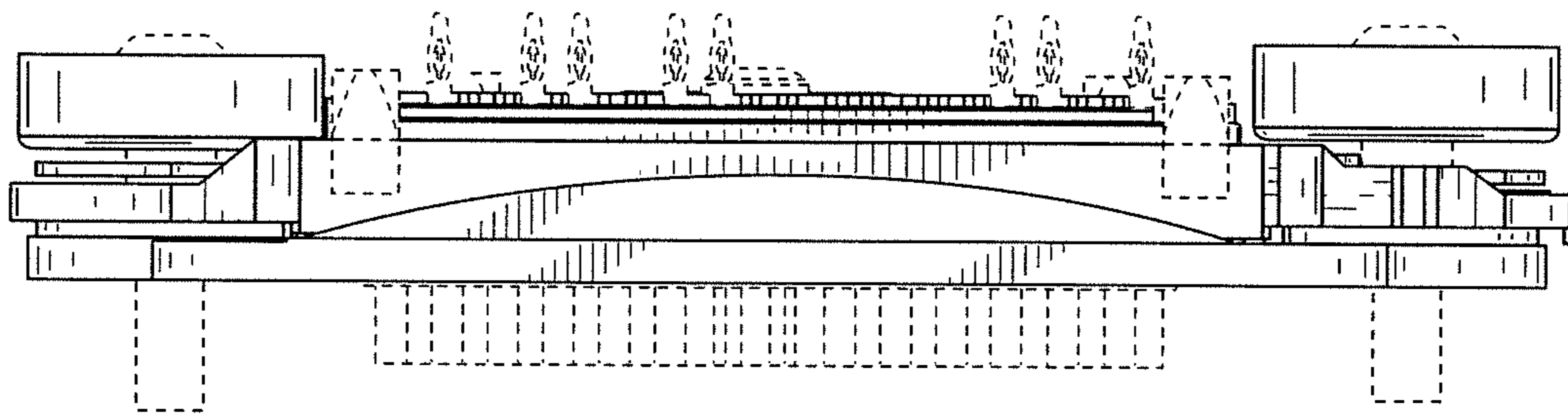


FIG. 5

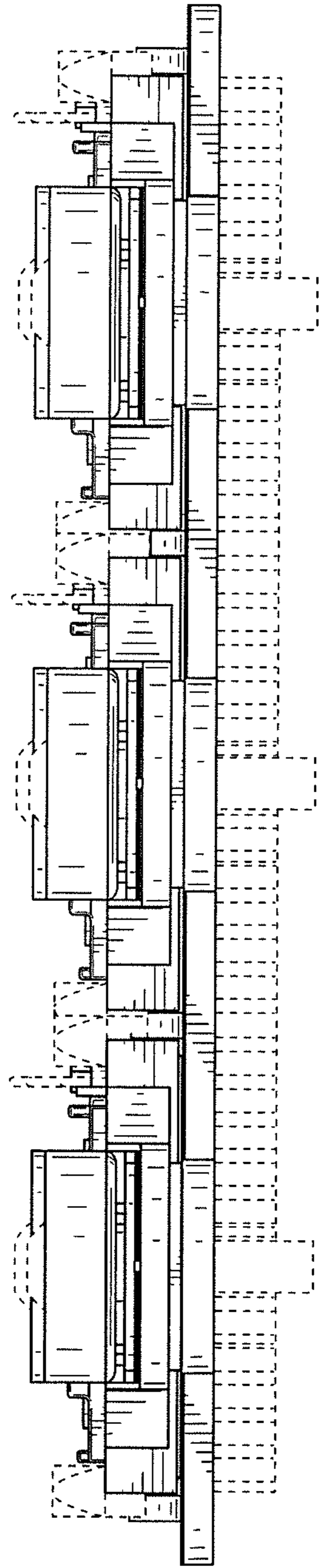


FIG. 6

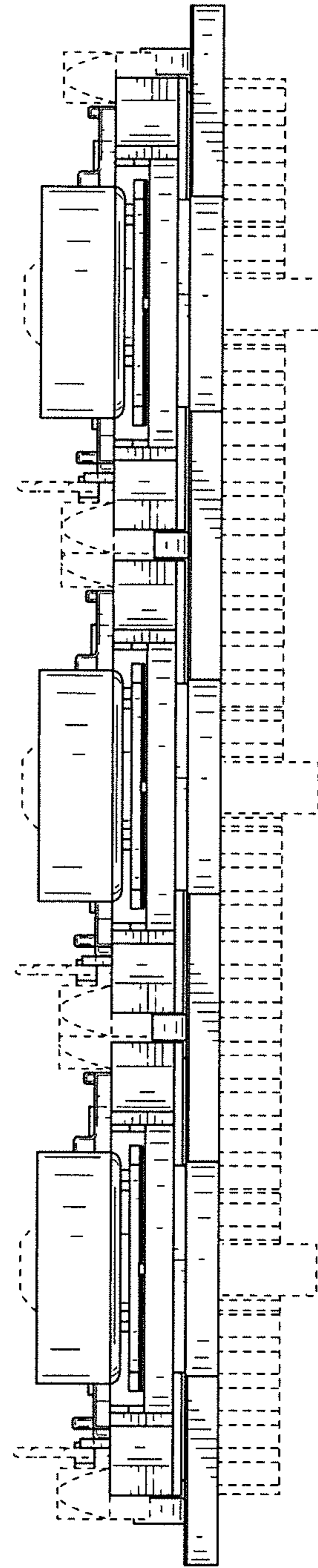


FIG. 7