



US00D889419S

(12) **United States Design Patent**  
**Gossens et al.**

(10) **Patent No.:** **US D889,419 S**  
(45) **Date of Patent:** **\*\* Jul. 7, 2020**

(54) **CONTROLLER**

(71) Applicant: **Sunbeam Products, Inc.**, Boca Raton, FL (US)

(72) Inventors: **Caleb Gossens**, Portage, MI (US);  
**Roberta Brown**, Kalamazoo, MI (US)

(73) Assignee: **Sunbeam Products, Inc.**, Boca Raton, FL (US)

(\*\*) Term: **15 Years**

(21) Appl. No.: **29/683,737**

(22) Filed: **Mar. 15, 2019**

(51) **LOC (12) Cl.** ..... **14-03**

(52) **U.S. Cl.**  
USPC ..... **D13/168**

(58) **Field of Classification Search**  
USPC ..... D13/162, 164, 168; D14/218  
CPC .... H03J 1/0025; H03J 9/00; H03J 9/02; H03J 9/04; H03J 9/06; H01H 9/0235; H01H 9/0228; H04B 1/202; G05B 11/01; G08C 17/00; G08C 17/02; G08C 23/04; H05B 1/00; H05B 1/0227; H05B 1/0272; H05B 3/342; G05D 23/19

See application file for complete search history.

(56) **References Cited**

**U.S. PATENT DOCUMENTS**

D429,221 S *	8/2000	Picozza .....	D13/168
D481,364 S *	10/2003	Kosumsuppamala .....	D13/168
D520,991 S *	5/2006	Ma .....	D14/240
D533,514 S *	12/2006	Hidalgo .....	D13/168
D568,827 S *	5/2008	Ikeda .....	D13/168
D581,371 S *	11/2008	Richmond .....	D13/168
D620,456 S *	7/2010	Akana .....	D13/168
D681,608 S *	5/2013	Takami .....	D14/218
D723,478 S *	3/2015	Turksu .....	D13/168

D729,774 S *	5/2015	Uchiyama .....	D14/218
D748,066 S *	1/2016	Lee .....	D13/168
D776,640 S *	1/2017	Simonian .....	D14/218
D782,985 S *	4/2017	Mishan .....	D13/168
D792,359 S *	7/2017	Nakagawa .....	D13/168
D819,619 S *	6/2018	Li .....	D14/240
D874,439 S *	2/2020	Gong .....	D14/218
D875,691 S *	2/2020	Zu .....	D13/168
2013/0270254 A1 *	10/2013	Morgandi .....	H05B 1/0272 219/494
2017/0213448 A1 *	7/2017	Matvienko .....	G08C 17/02

\* cited by examiner

*Primary Examiner* — Selina Sikder

(74) *Attorney, Agent, or Firm* — Husch Blackwell LLP

(57) **CLAIM**

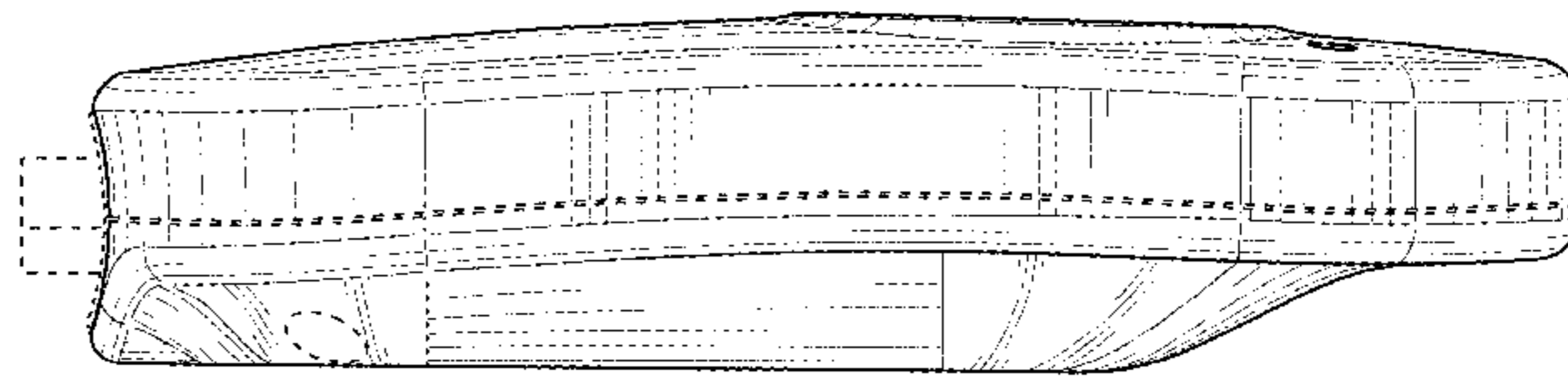
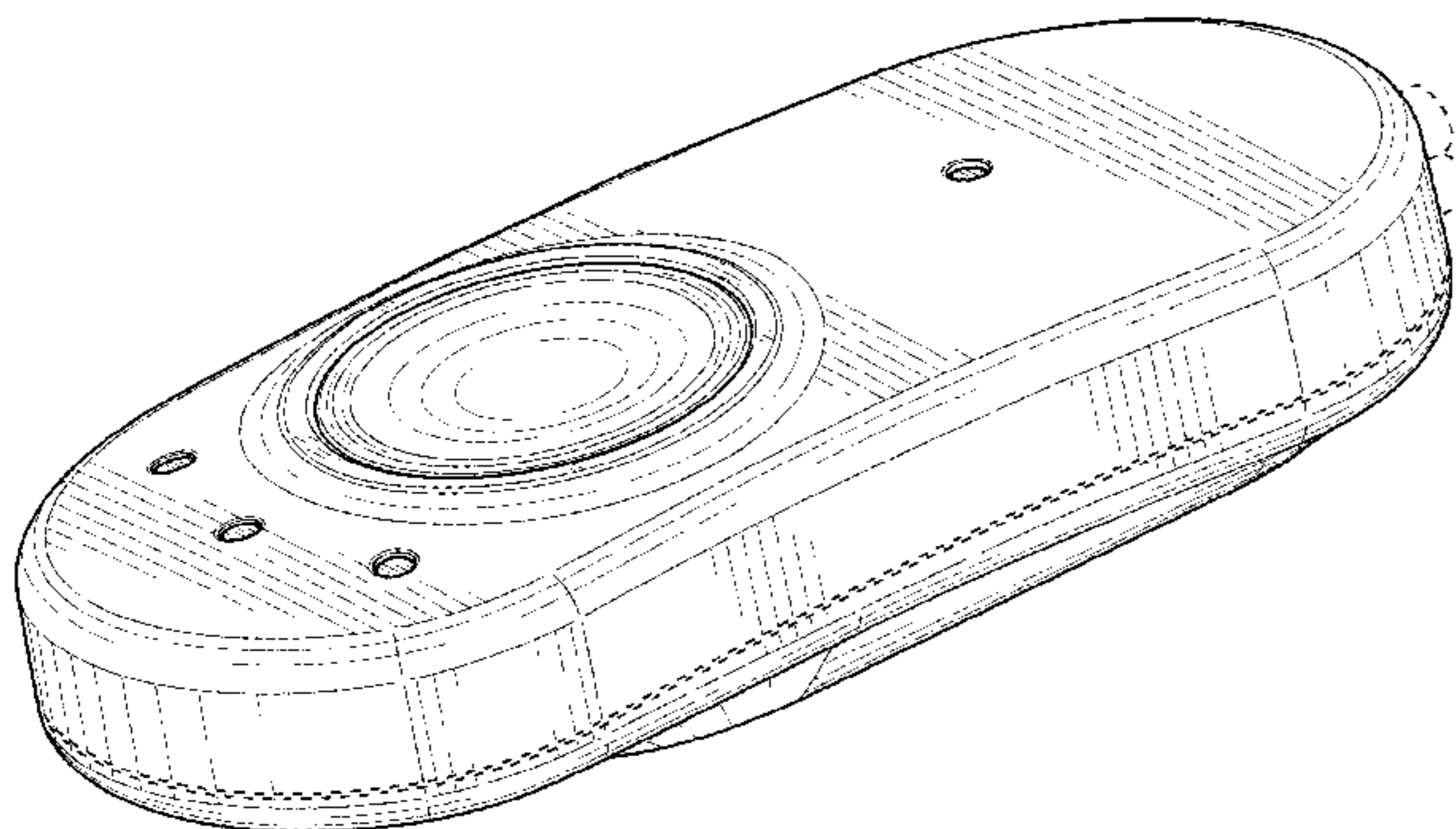
We claim the ornamental design for a controller, as shown and described.

**DESCRIPTION**

FIG. 1 is a perspective view of a controller in accordance with our new design;  
 FIG. 2 is a left side elevation view thereof;  
 FIG. 3 is a right side elevation view thereof;  
 FIG. 4 is a front elevation view thereof;  
 FIG. 5 is a rear elevation view thereof;  
 FIG. 6 is a top plan view thereof;  
 FIG. 7 is a bottom plan view thereof;  
 FIG. 8 is a perspective view of a second embodiment of a controller in accordance with our new design;  
 FIG. 9 is a top plan view thereof, the bottom plan view being identical to FIG. 7;  
 FIG. 10 is a left side elevation view thereof; and,  
 FIG. 11 is a right side elevation view thereof.

Broken lines and the area within the broken lines are for illustrative purposes only and form no part of the claimed design.

**1 Claim, 6 Drawing Sheets**



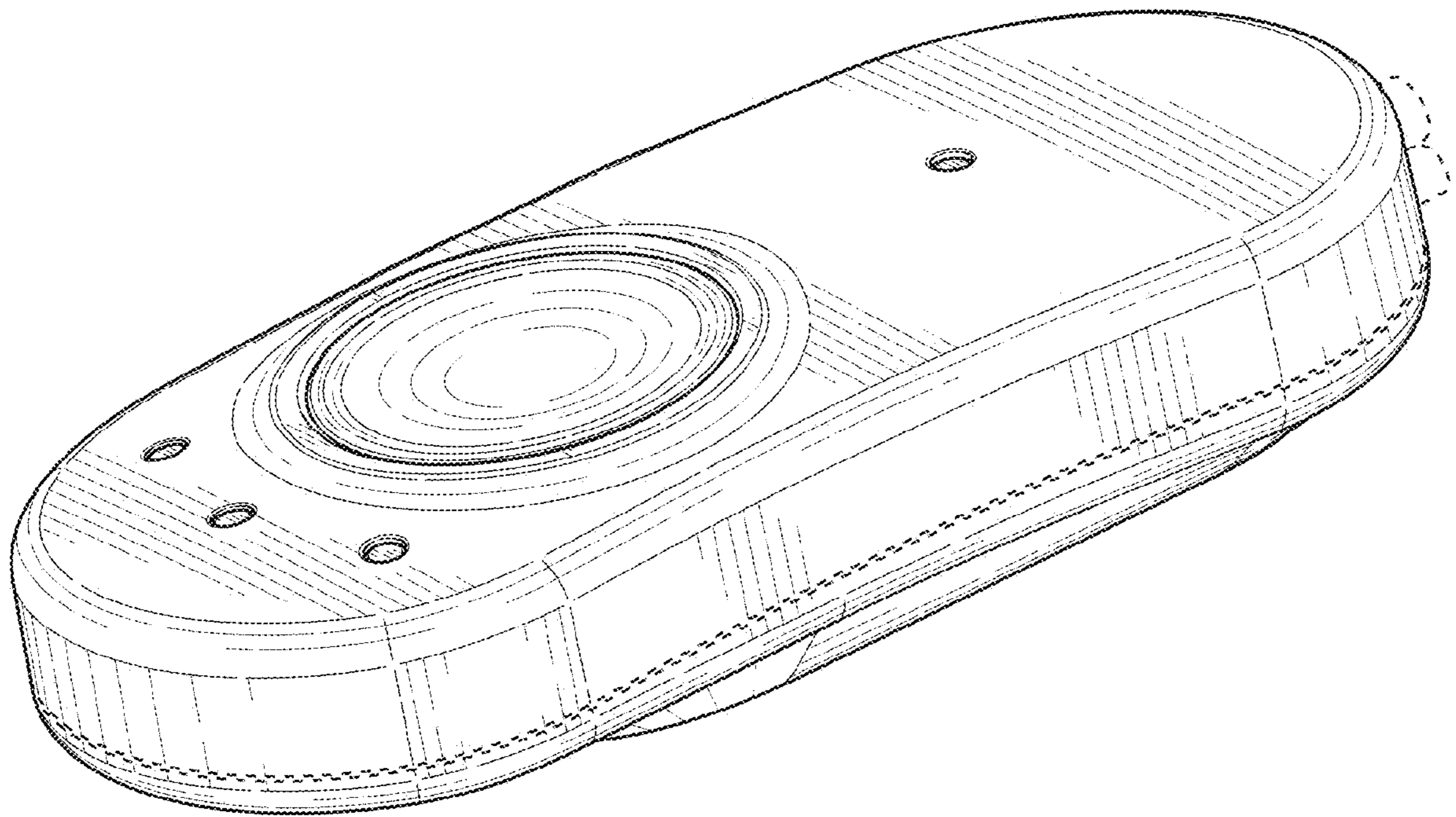


FIG. 1

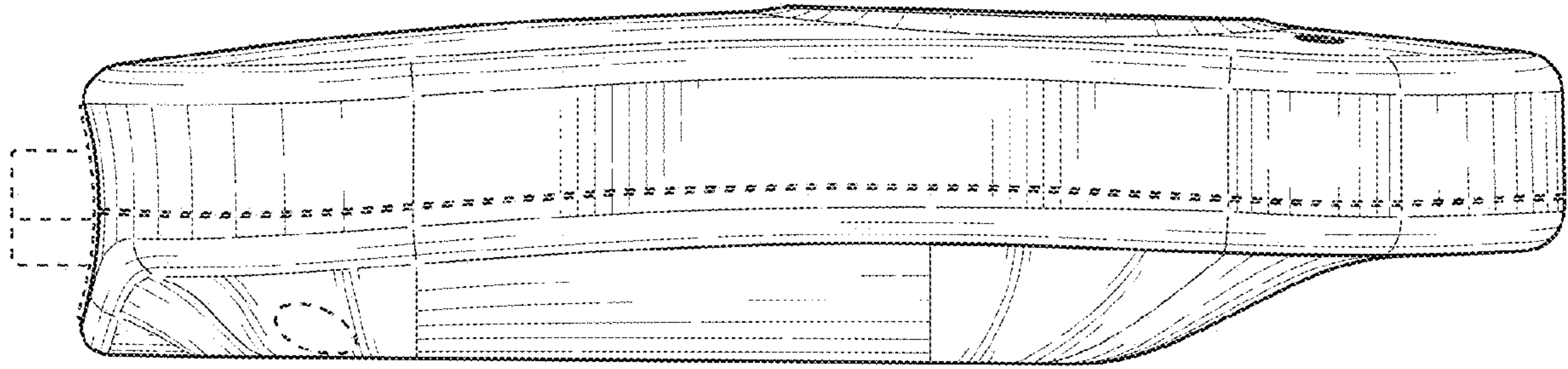


FIG. 2

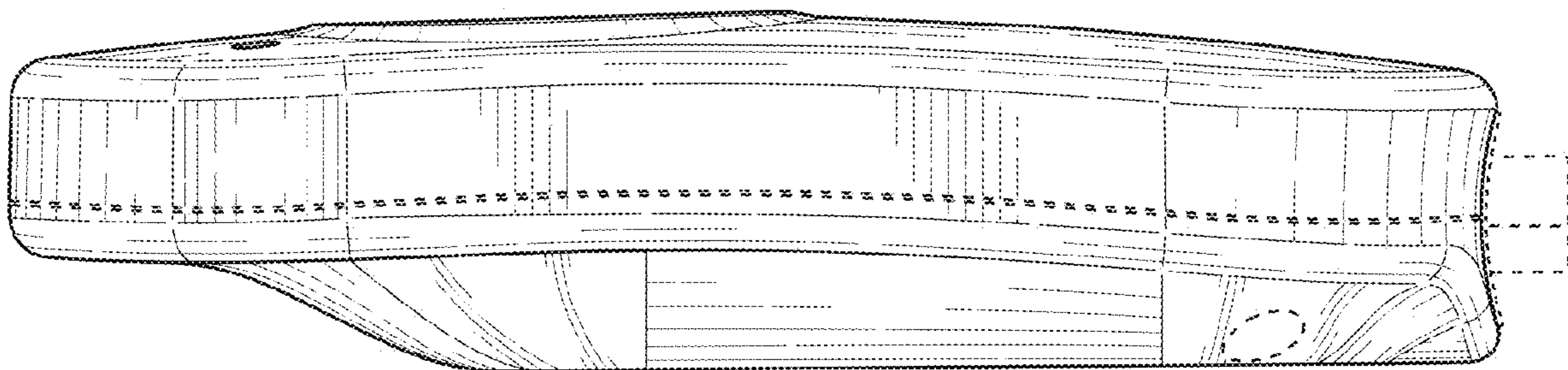


FIG. 3

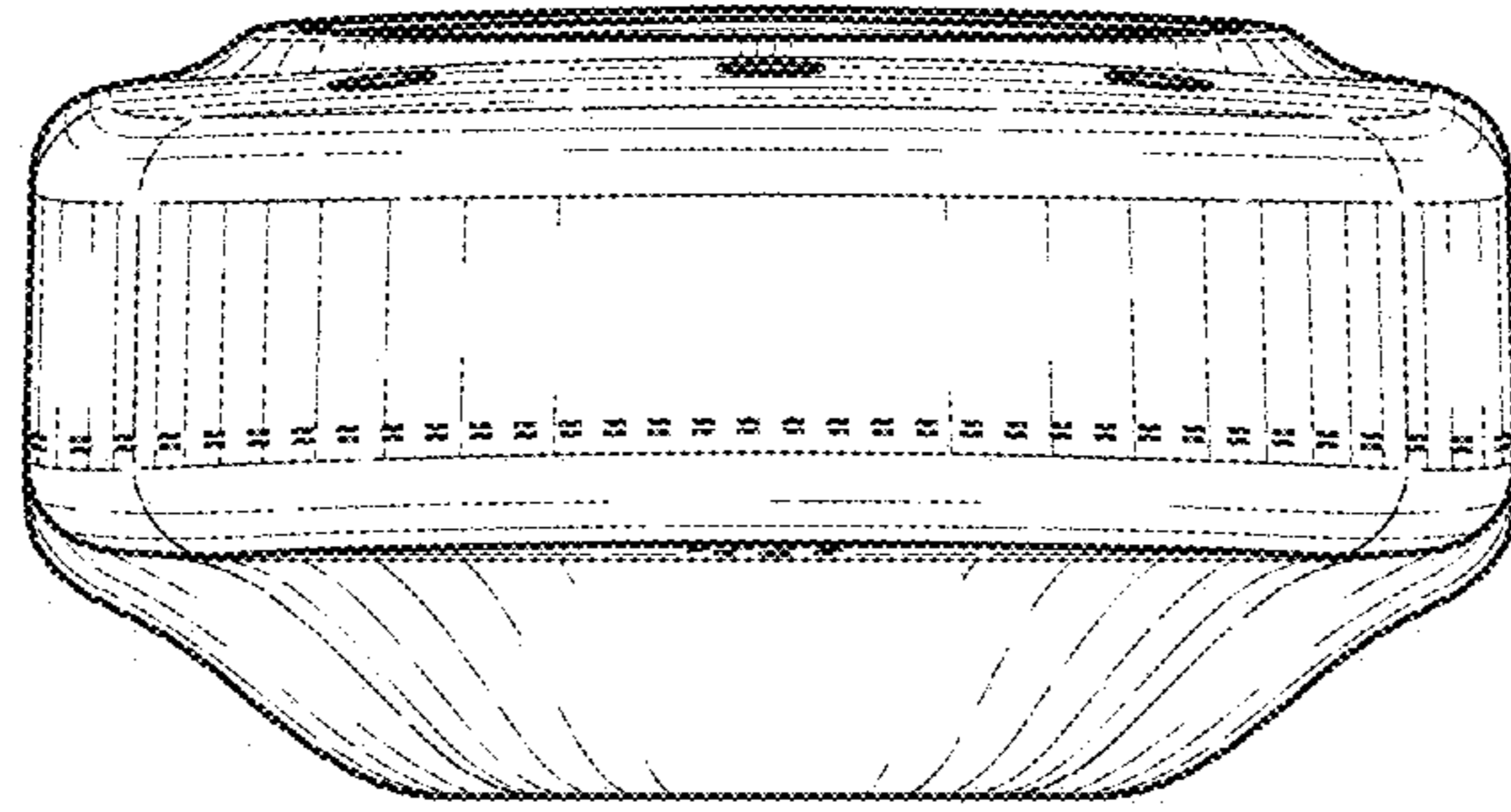


FIG. 4

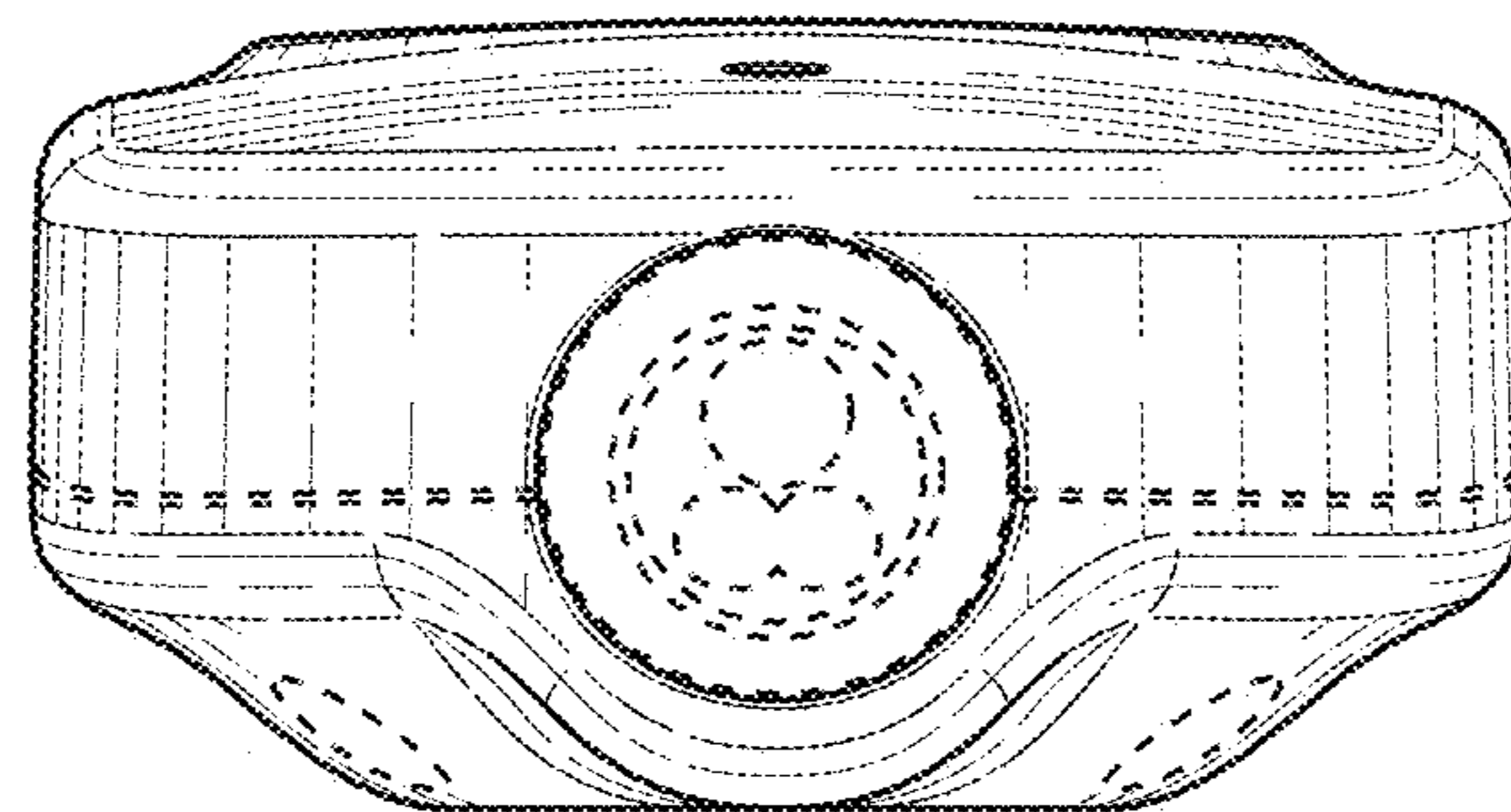


FIG. 5

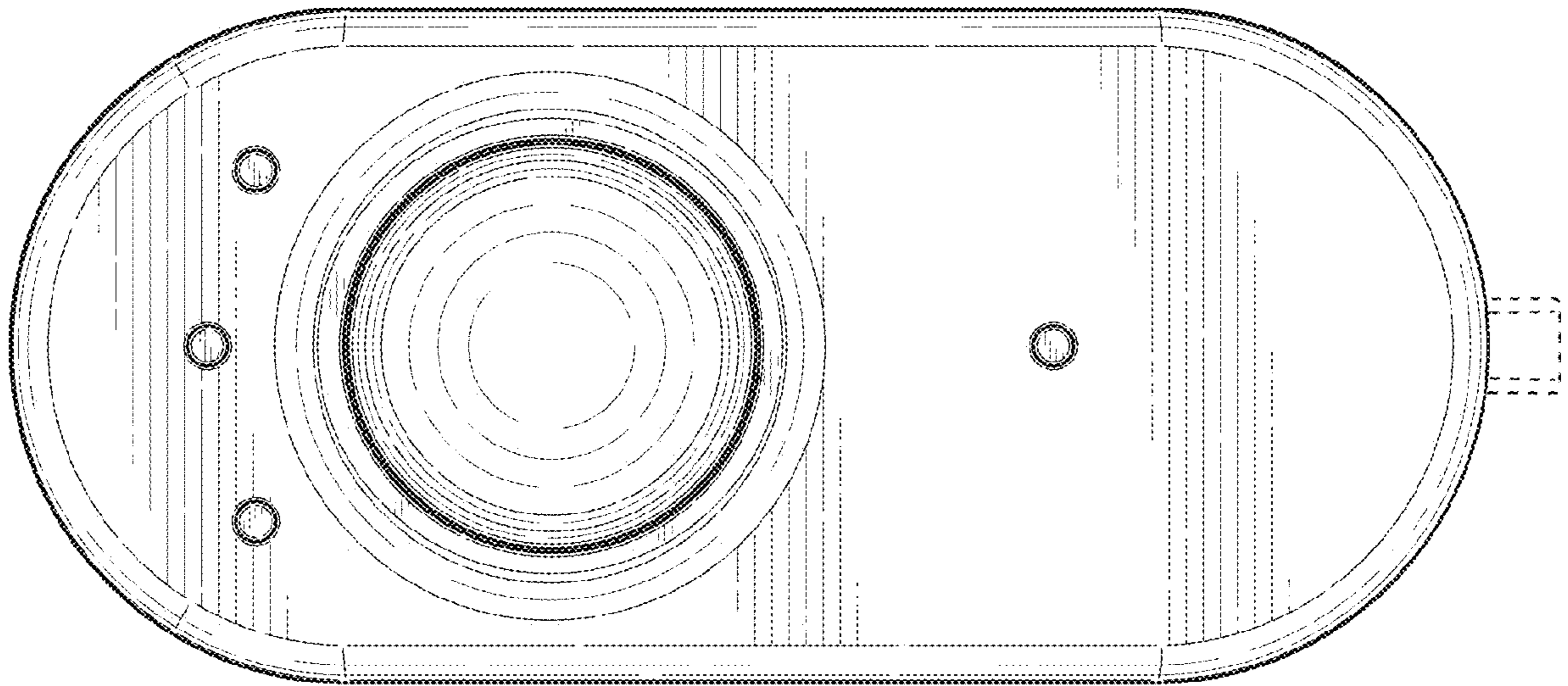


FIG. 6

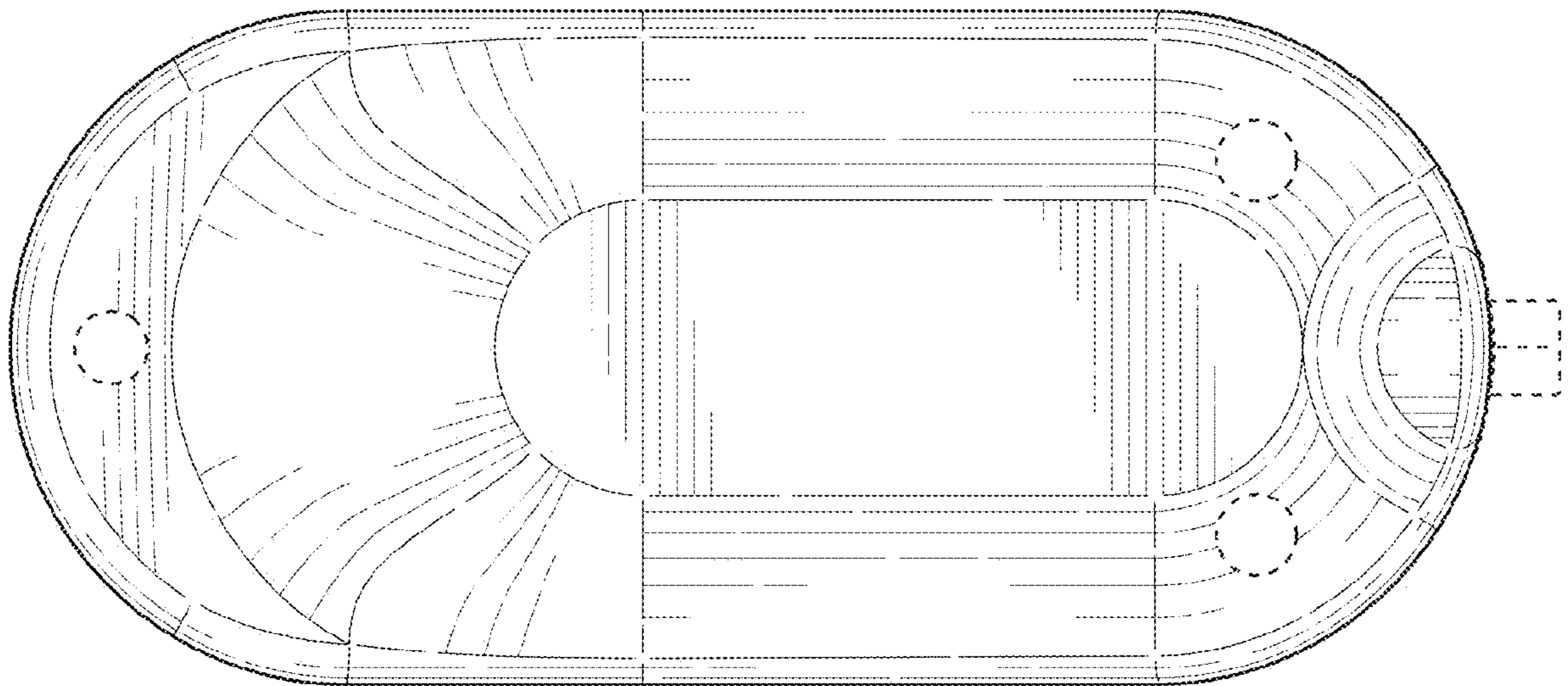


FIG. 7

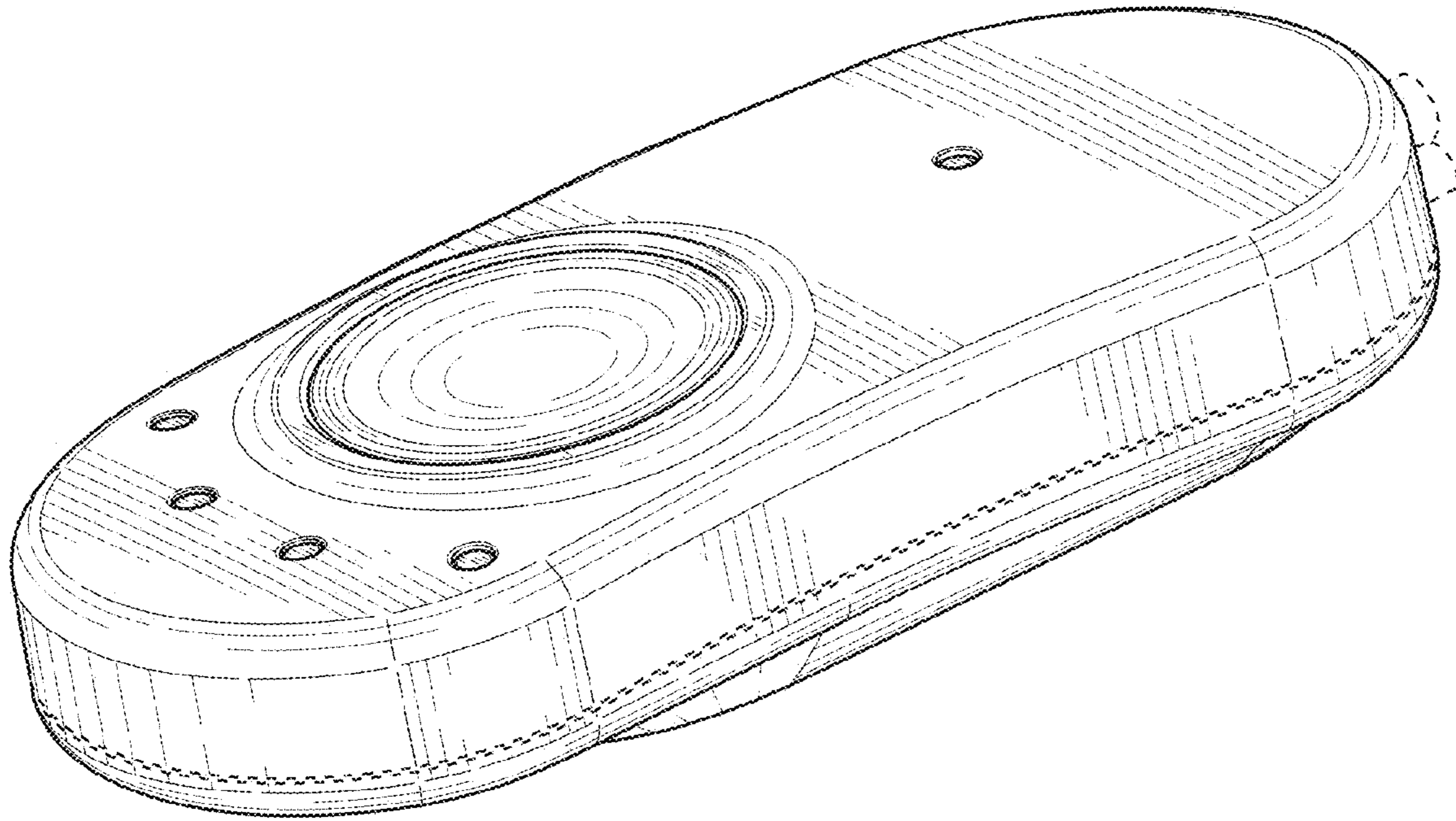


FIG. 8

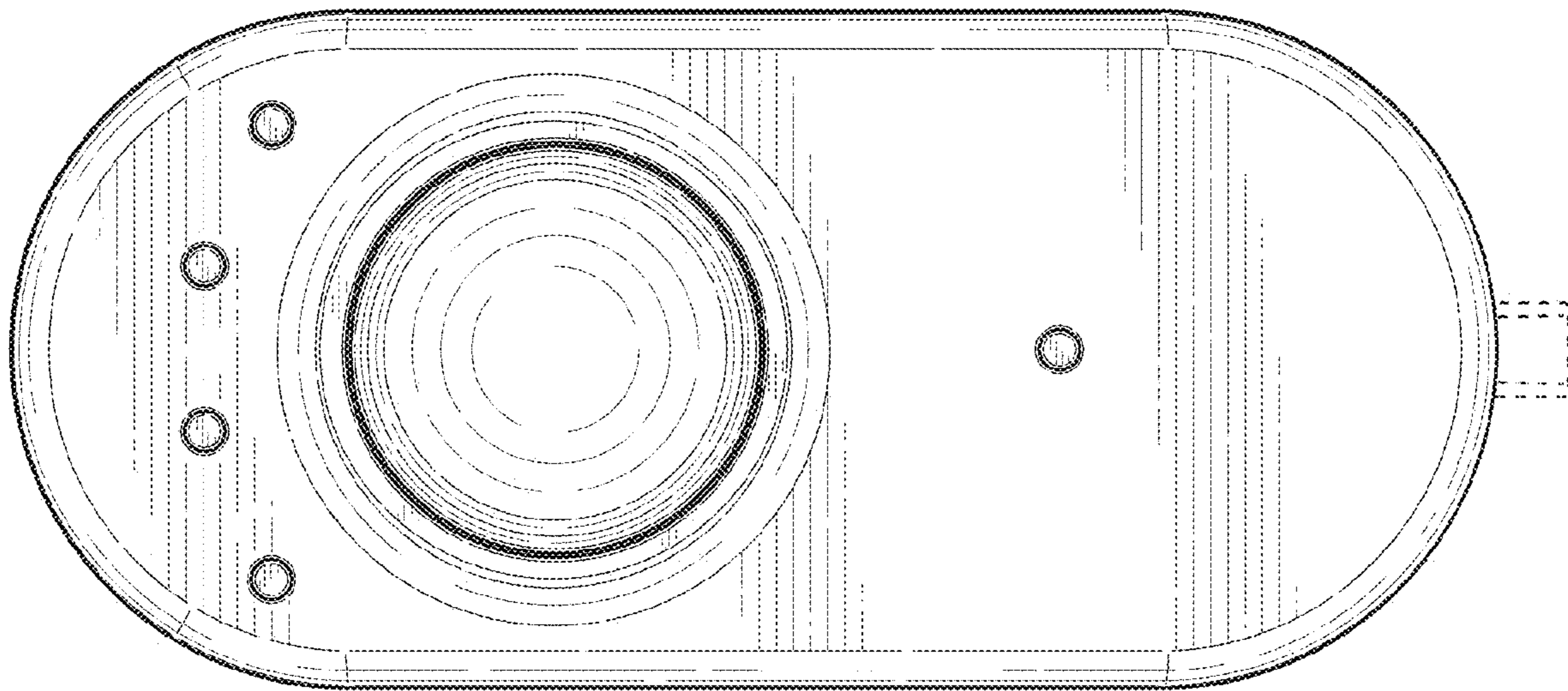


FIG. 9

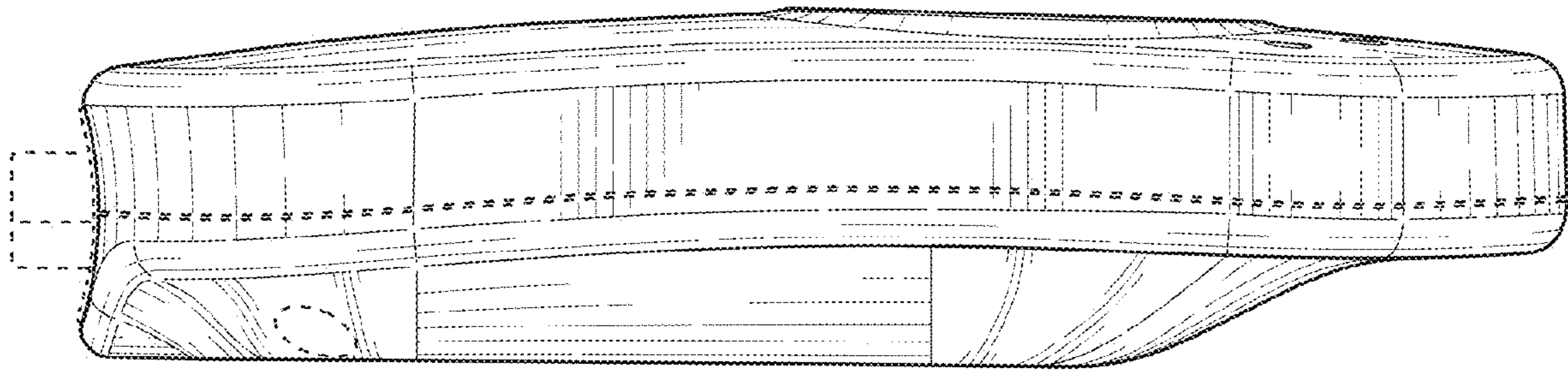


FIG. 10

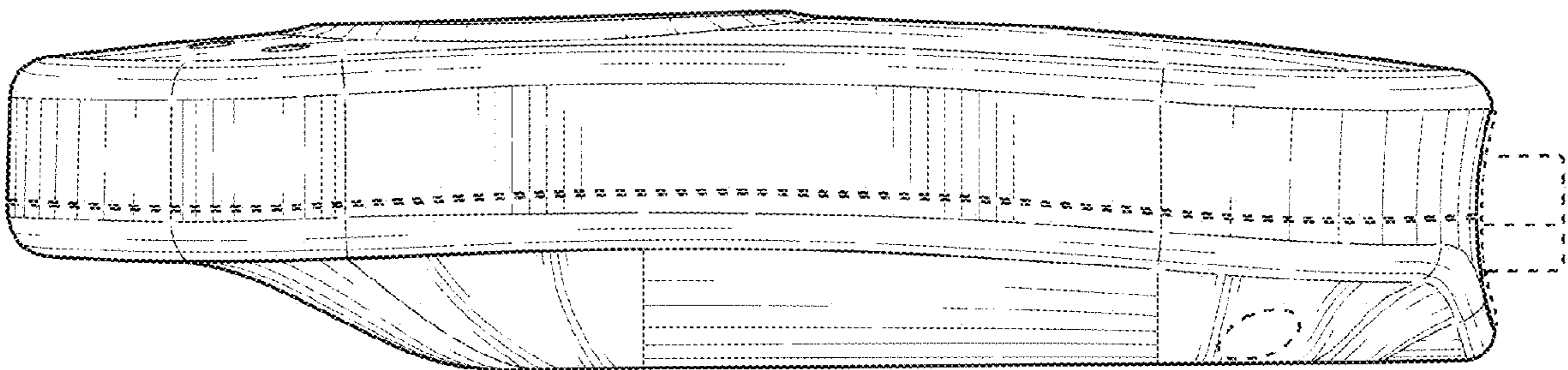


FIG. 11