



US00D889418S

(12) **United States Design Patent** (10) **Patent No.:** **US D889,418 S**  
**Handt et al.** (45) **Date of Patent:** **\*\* Jul. 7, 2020**

(54) **CIRCUIT BREAKER**  
 (71) Applicant: **Siemens Aktiengesellschaft**, München (DE)  
 (72) Inventors: **Karsten Handt**, Berg (DE); **Stefan Hänsel**, Baiersdorf (DE); **Michael Lager**, Herzogenaurach (DE); **Sebastian Nielebock**, Forchheim (DE)  
 (73) Assignee: **SIEMENS AKTIENGESELLSCHAFT**, München (DE)

D647,845 S \* 11/2011 Engblom ..... D13/113  
 D675,564 S \* 2/2013 Choi ..... D13/110  
 D675,565 S \* 2/2013 Choi ..... D13/110  
 D682,207 S \* 5/2013 Nakahira ..... D13/110  
 D684,534 S \* 6/2013 Nakahira ..... D13/110  
 D705,728 S \* 5/2014 Choi ..... D13/110  
 D712,834 S \* 9/2014 Munro ..... D13/116  
 D755,123 S \* 5/2016 Ho ..... D13/110  
 D766,826 S \* 9/2016 Xu ..... D13/110  
 D772,162 S \* 11/2016 Saarivirta ..... D13/110  
 D845,910 S \* 4/2019 Bacher ..... D13/160  
 D847,099 S \* 4/2019 Nakada ..... D13/159  
 2015/0349673 A1 \* 12/2015 Wu ..... H02P 6/182 318/779

\* cited by examiner

(\*\*) Term: **15 Years**

*Primary Examiner* — Angela J Lee

(21) Appl. No.: **29/674,806**

*Assistant Examiner* — Shawn T Gingrich

(22) Filed: **Dec. 26, 2018**

(74) *Attorney, Agent, or Firm* — Henry M. Feiereisen LLC

(51) **LOC (12) Cl.** ..... **13-03**

(57) **CLAIM**

(52) **U.S. Cl.**  
USPC ..... **D13/160**

The ornamental design for a circuit breaker, as shown and described.

(58) **Field of Classification Search**  
USPC ..... D13/110, 118, 123, 133, 154, 158–161, D13/173, 178, 184, 199

**DESCRIPTION**

CPC .. H01H 3/00; H01H 9/00; H01H 9/02; H01H 11/00; H01H 21/02; H01H 33/00; H01H 50/00; H01H 50/02; H01H 71/00; H01H 71/02; H01H 71/08; H01H 71/10; H01H 71/24

FIG. 1 is a front view of a circuit breaker, showing our new design;  
 FIG. 2 is a rear view thereof;  
 FIG. 3 is a top view thereof;  
 FIG. 4 is a bottom view thereof;  
 FIG. 5 is a right side view thereof;  
 FIG. 6 is a left side view thereof; and,  
 FIG. 7 is a top, front and right side perspective view thereof.  
 The broken line portion of the figure drawings is included to show environment only and forms no part of the claimed design.

See application file for complete search history.

(56) **References Cited**

**U.S. PATENT DOCUMENTS**

D541,743 S \* 5/2007 Virolainen ..... D13/110  
 D561,701 S \* 2/2008 Johansson ..... D13/162  
 D647,844 S \* 11/2011 Engblom ..... D13/113

**1 Claim, 7 Drawing Sheets**

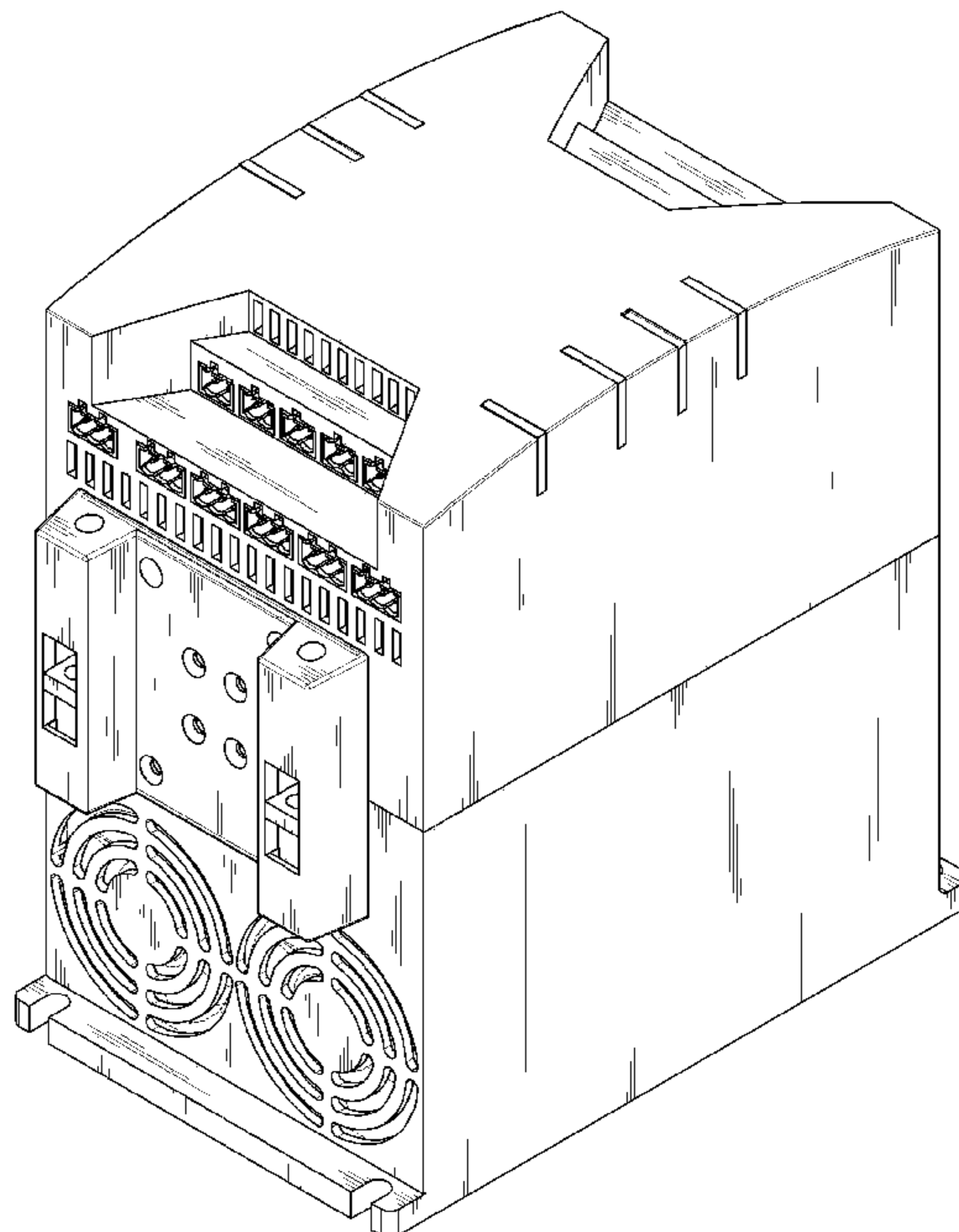


FIG. 1

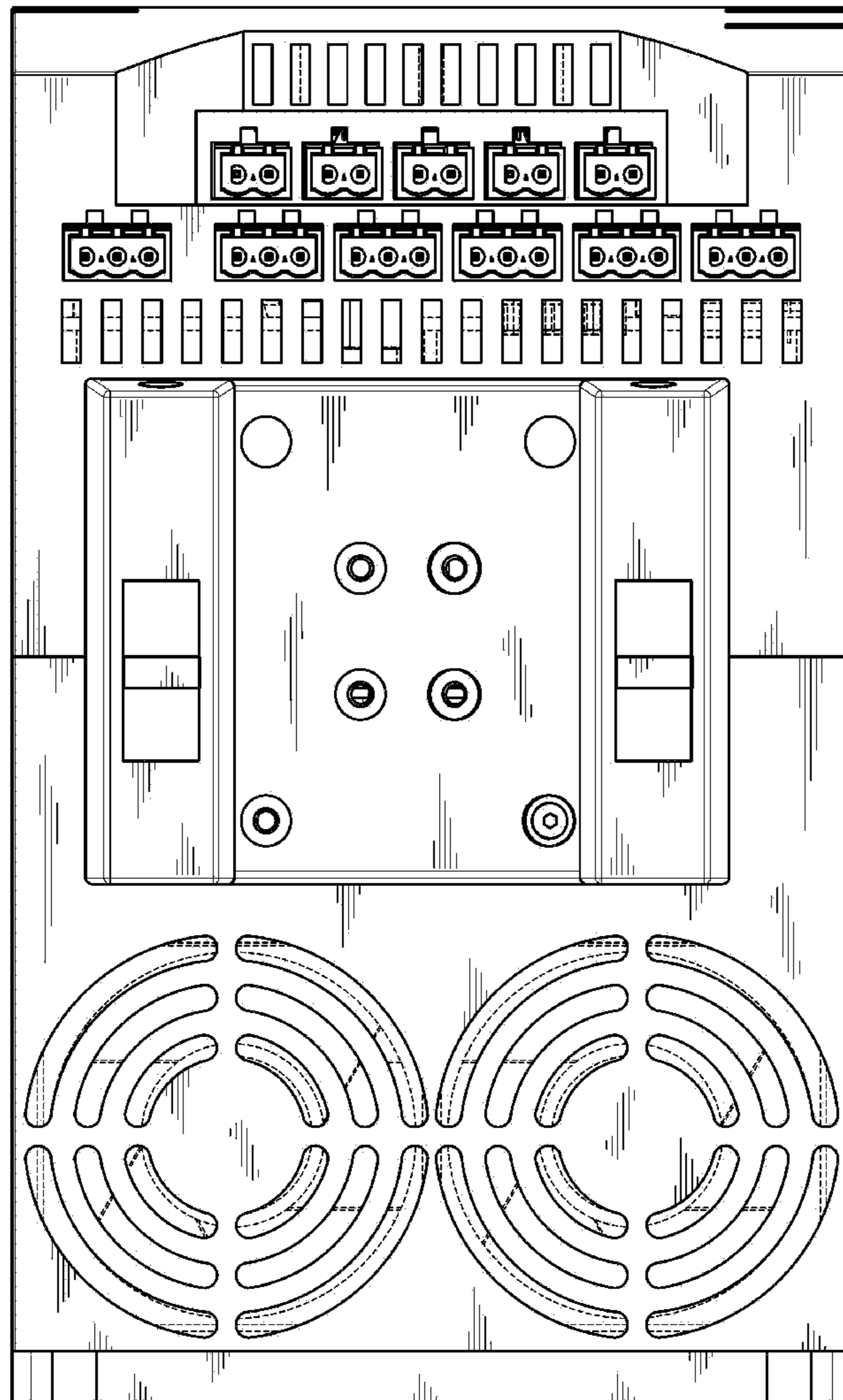


FIG. 2

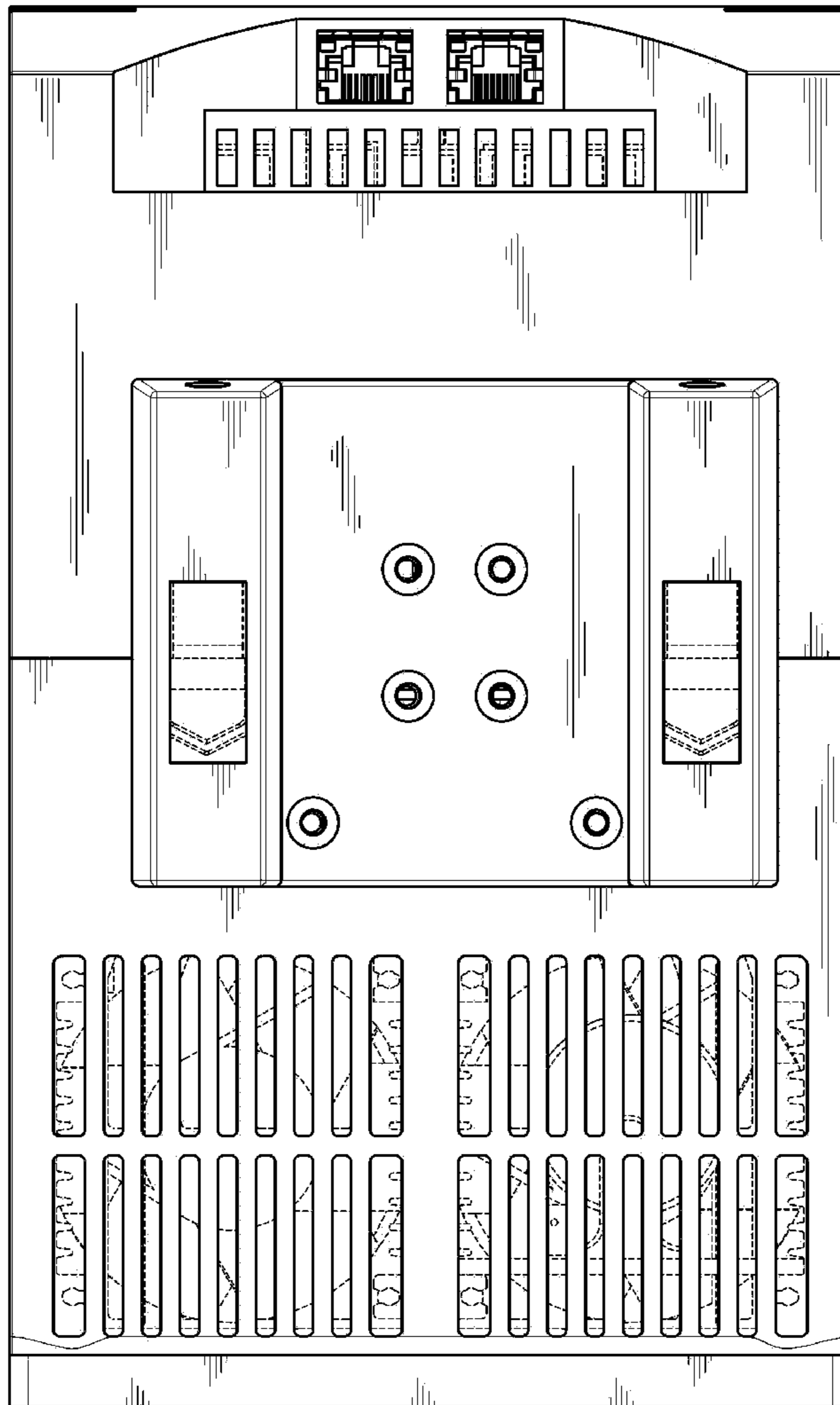


FIG. 3

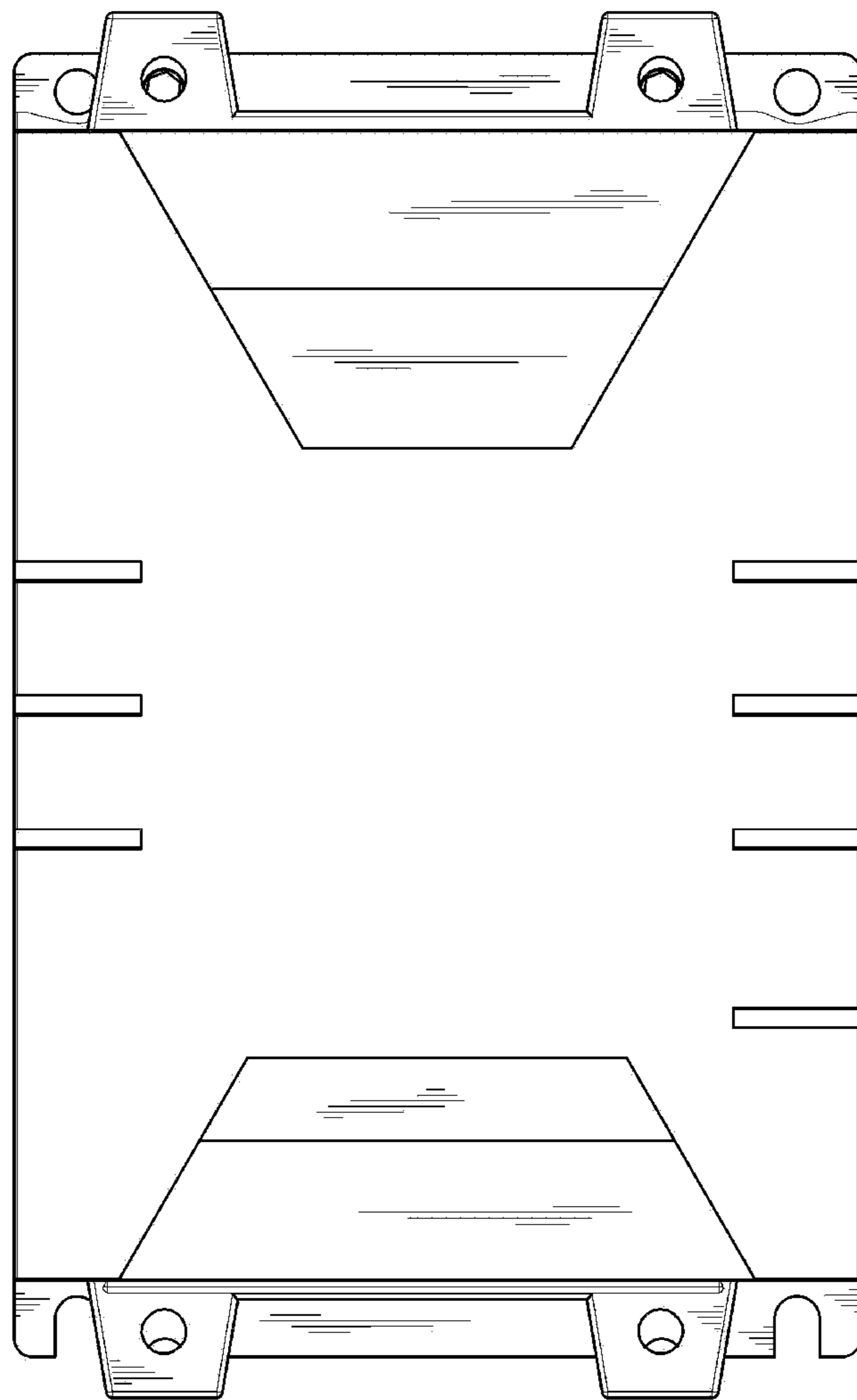


FIG. 4

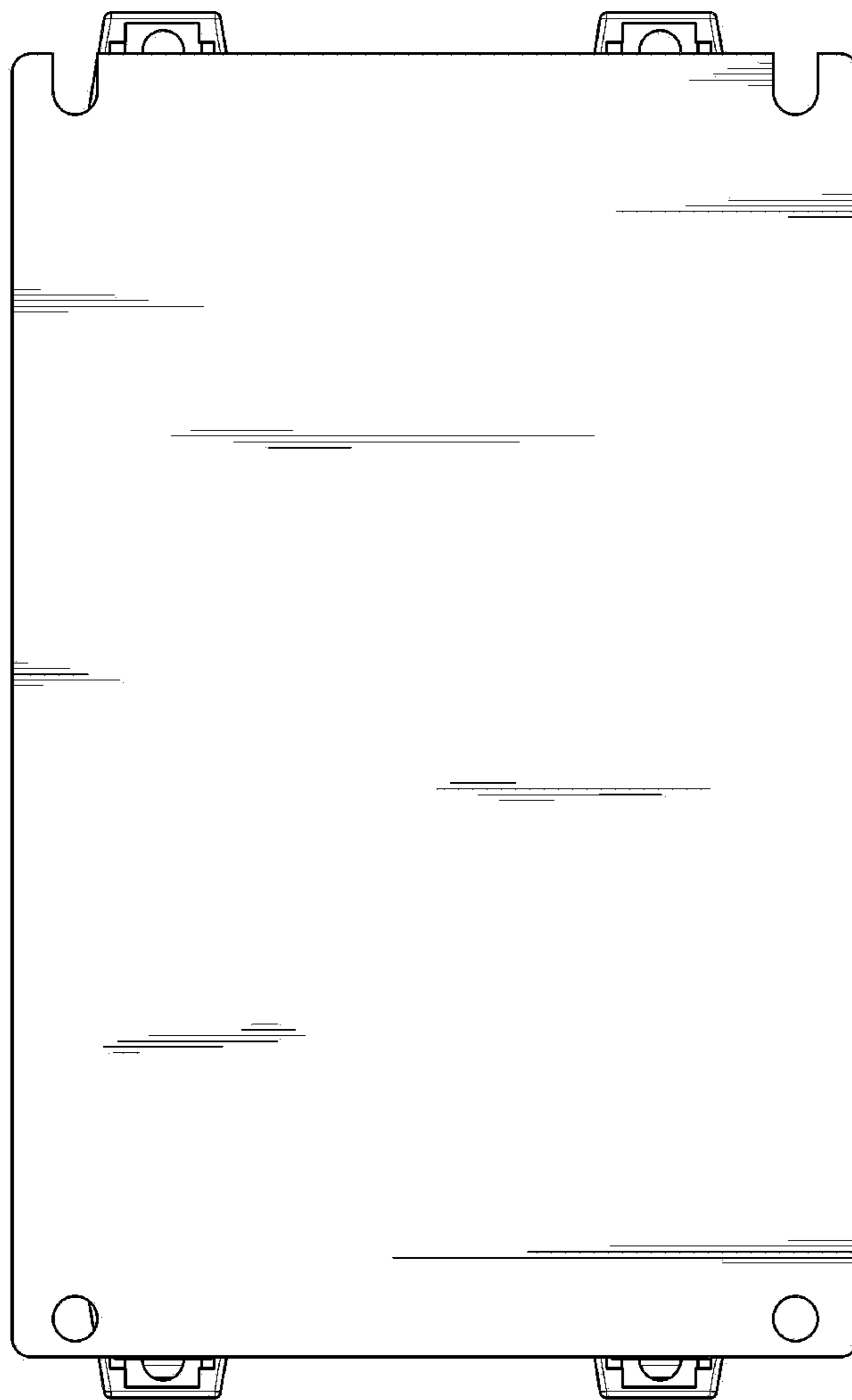


FIG. 5

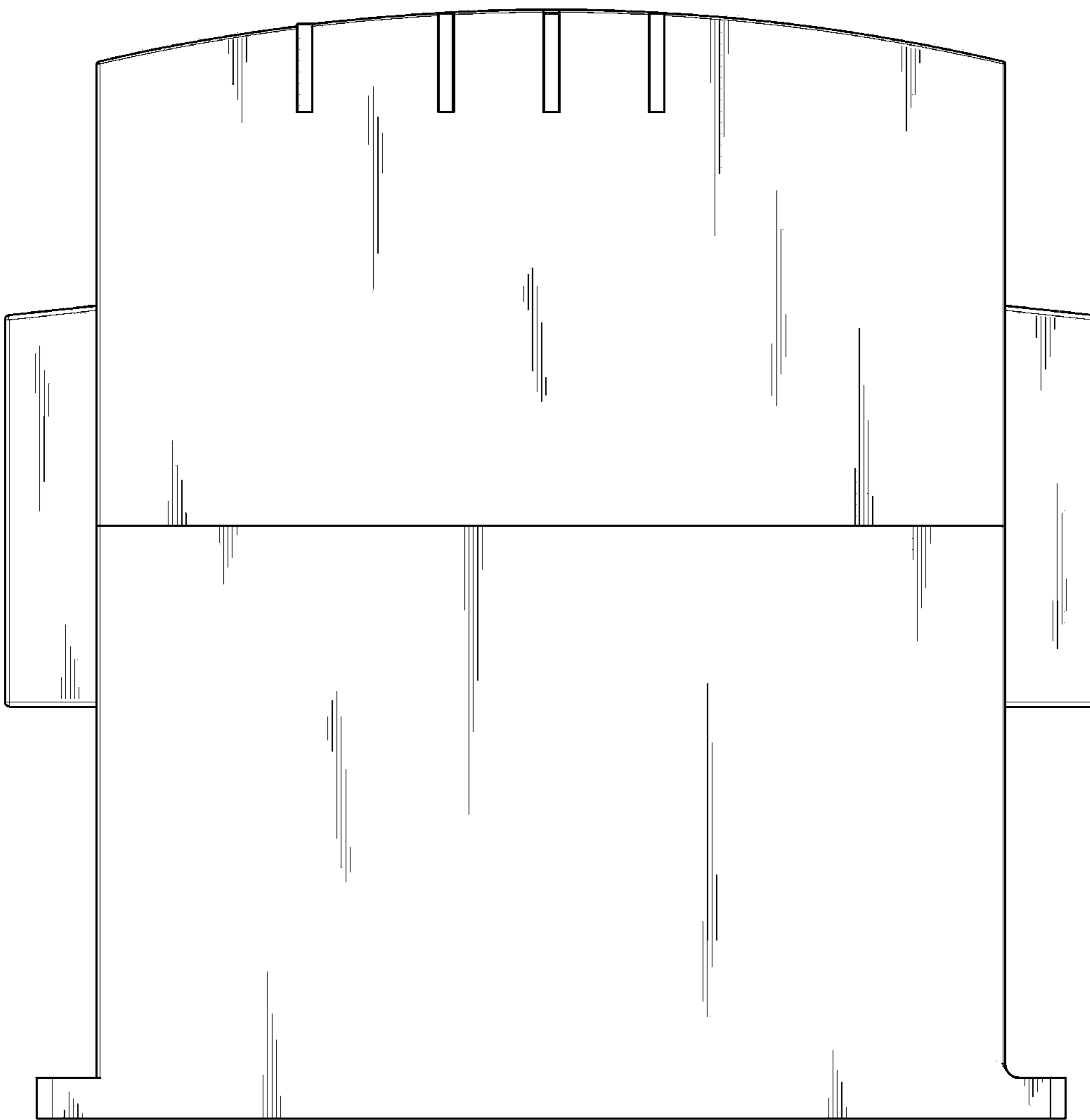


FIG. 6

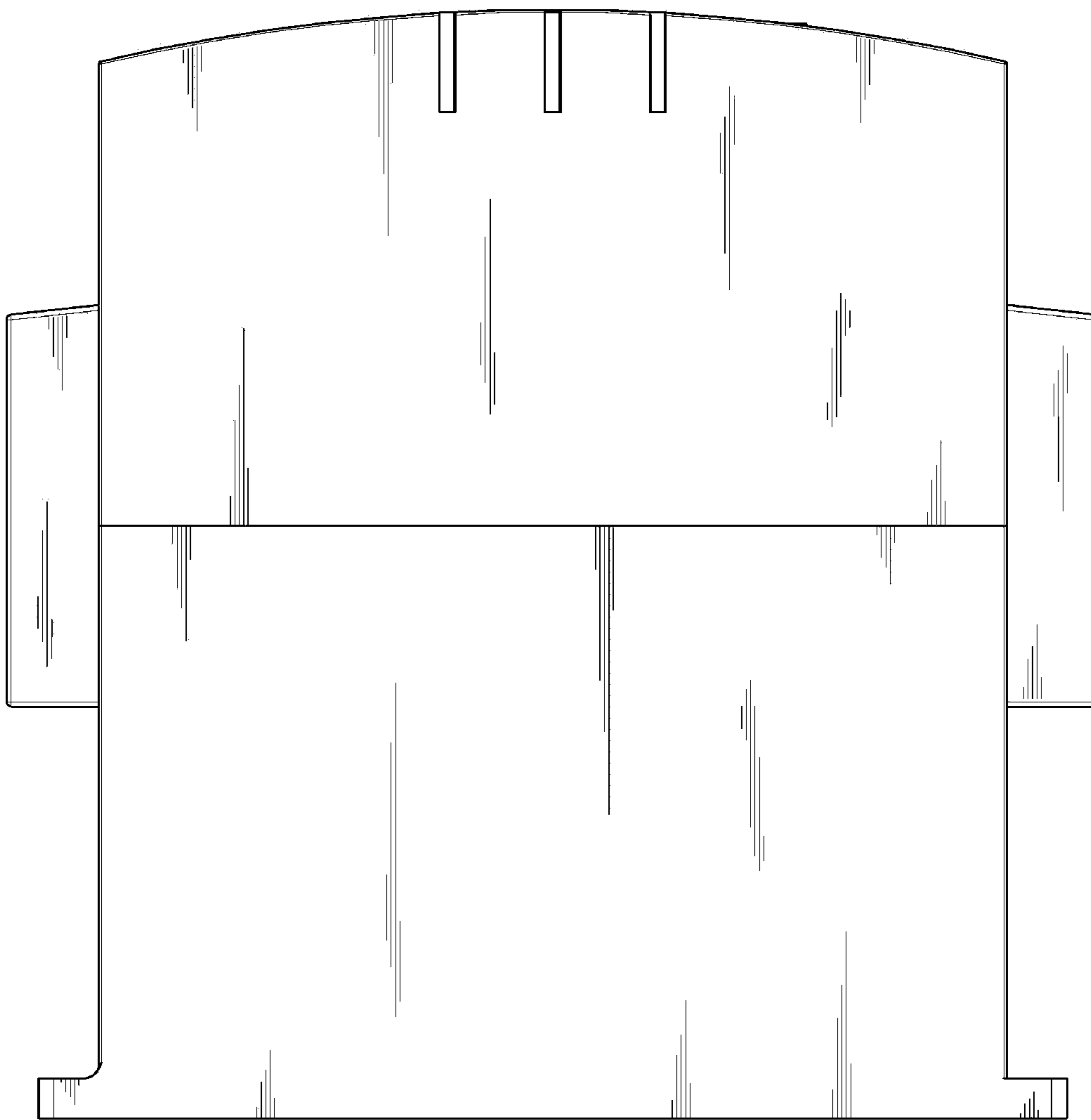


FIG. 7

