



US00D889417S

(12) **United States Design Patent** (10) **Patent No.:** **US D889,417 S**
Cyzen et al. (45) **Date of Patent:** **** Jul. 7, 2020**

(54) **OUTLET PLATE**
(71) Applicant: **Keith Cyzen**, Glen Ellyn, IL (US)
(72) Inventors: **Keith Cyzen**, Glen Ellyn, IL (US);
Mike Rafferty, Madison, WI (US)
(73) Assignee: **Keith Cyzen**, Glen Ellyn, IL (US)
(**) Term: **15 Years**

D261,135 S 10/1981 Horne
4,293,173 A 10/1981 Tricca
4,457,571 A 7/1984 Lavine et al.
D275,175 S 8/1984 Rolli, Jr.
D283,221 S 4/1986 West
4,617,613 A 10/1986 Rice
4,895,527 A 1/1990 Brown et al.
(Continued)

FOREIGN PATENT DOCUMENTS

CN 203589299 U 5/2014

OTHER PUBLICATIONS

<https://www.amazon.com/Lock-Plug-Electrical-Extension-Appliances/dp/B06WW61RRC>, publicly available at least as early as Dec. 17, 2017.

(Continued)

Primary Examiner — Derrick E Holland
Assistant Examiner — Jennifer O King
(74) *Attorney, Agent, or Firm* — Marshall, Gerstein & Borun LLP

(21) Appl. No.: **29/656,608**
(22) Filed: **Jul. 13, 2018**
(51) **LOC (12) Cl.** **13-03**
(52) **U.S. Cl.**
USPC **D13/156**
(58) **Field of Classification Search**
USPC D13/110, 123, 133, 137.1, 139.1, 139.4,
D13/152, 154, 155, 156, 158, 162, 164,
D13/169, 173, 177, 184; D8/349–351,
D8/353
CPC H01R 13/447; H01R 13/6395;
H01R 13/639; H01R 13/6397; H02G
3/10; H02G 3/12; H02J 7/0042
See application file for complete search history.

(57) **CLAIM**

The ornamental design for an outlet plate, as shown and described.

(56) **References Cited**

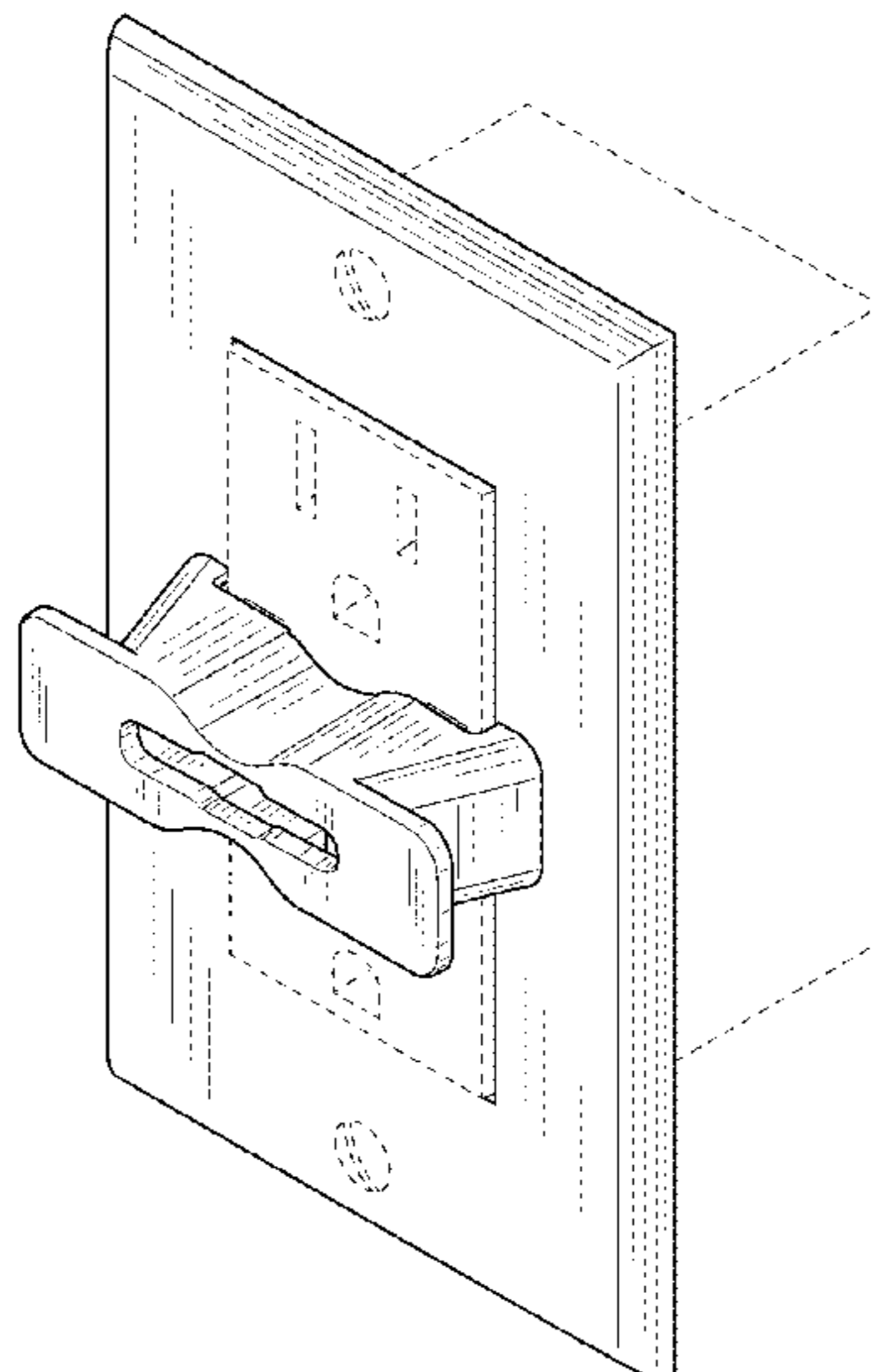
U.S. PATENT DOCUMENTS

2,438,143 A * 3/1948 Brown H01R 13/72
191/12 R
D162,509 S 3/1951 Austin, Jr.
2,673,969 A 3/1954 Pfister
2,722,665 A 11/1955 Sauder
2,770,697 A 11/1956 Kellett
3,013,105 A 12/1961 Craig
3,113,996 A * 12/1963 Sanford H02G 3/14
174/67
3,159,446 A 12/1964 Protzmann
3,257,497 A 6/1966 Chase
3,689,868 A 9/1972 Snyder
3,775,729 A 11/1973 Casper
4,083,618 A 4/1978 Busch, Jr.

DESCRIPTION

FIG. 1 is a perspective view showing a new design for an outlet plate;
FIG. 2 is a front view thereof;
FIG. 3 is a rear view thereof;
FIG. 4 is a right-side view thereof;
FIG. 5 is a left-side view thereof;
FIG. 6 is a top view thereof; and,
FIG. 7 is a bottom view thereof.
The dashed lines showing portions of the outlet plate are included for the purpose of illustrating environment and form no part of the claimed design.

1 Claim, 7 Drawing Sheets



(56)

References Cited

U.S. PATENT DOCUMENTS

4,895,999 A 1/1990 Calderon
 4,921,444 A 5/1990 Cama
 D308,626 S 6/1990 Villarreal
 D309,093 S 7/1990 Reinholt
 4,969,833 A 11/1990 Lindow et al.
 4,973,801 A 11/1990 Frick et al.
 4,993,963 A 2/1991 Pedigo
 5,011,427 A 4/1991 Martin
 D317,859 S 7/1991 Kobayashi
 D318,460 S 7/1991 Heath et al.
 5,174,773 A 12/1992 Jones
 D346,362 S 4/1994 Bouley
 D359,271 S 6/1995 Reinholt
 D372,224 S 7/1996 Larned et al.
 5,575,677 A 11/1996 Buckner et al.
 5,589,665 A 12/1996 Scamacca
 5,655,924 A 8/1997 Cross et al.
 D415,113 S 10/1999 Driver, III
 5,989,052 A 11/1999 Fields et al.
 6,699,060 B1 3/2004 Scott
 D508,025 S 8/2005 Dirks
 D509,193 S 9/2005 Piedmont
 7,014,493 B1 3/2006 Battard
 7,041,905 B1 5/2006 Stewart
 7,056,145 B2 6/2006 Campbell, III et al.
 D549,175 S 8/2007 Slasinski
 7,255,588 B2 8/2007 Wilder
 D559,782 S 1/2008 Slasinski
 7,371,105 B1 5/2008 Allende
 7,384,304 B1 6/2008 Fawcett
 7,528,323 B2 5/2009 Wu et al.
 7,638,710 B1 12/2009 Vance
 7,850,478 B2* 12/2010 Lin H01R 13/73
 439/372
 8,021,174 B1 9/2011 Schutte
 8,222,522 B1 7/2012 Easthouse
 8,337,236 B2 12/2012 Shu
 8,864,517 B2 10/2014 Cohen
 9,048,570 B2 6/2015 Goel
 9,065,263 B2 6/2015 Porcano
 9,083,180 B2 7/2015 Dodal et al.
 9,147,973 B1 9/2015 Madison
 9,337,676 B2 5/2016 Benigno
 9,350,151 B2 5/2016 Michaelis, IV
 D784,791 S 4/2017 Aragaw
 D788,045 S 5/2017 Zeng
 9,653,898 B1 5/2017 Deaton et al.

D793,846 S 8/2017 Armstrong, Jr. et al.
 9,825,414 B2 11/2017 Armstrong et al.
 9,991,627 B1 6/2018 Hemme
 D823,263 S 7/2018 Cyzen
 10,148,033 B2 12/2018 Mortun
 10,276,979 B2 4/2019 Cyzen
 D860,141 S * 9/2019 Cyzen D13/156
 10,439,327 B1* 10/2019 Cyzen H01R 25/006
 D871,351 S 12/2019 Lee et al.
 2011/0070756 A1 3/2011 Peckham
 2015/0147908 A1 5/2015 Jauch
 2017/0214201 A1 7/2017 Armstrong et al.
 2019/0214770 A1 7/2019 Cyzen
 2020/0021060 A1 1/2020 Cyzen

OTHER PUBLICATIONS

https://www.amazon.com/LectraLock-Safety-Electrical-Outlet-Duplex/dp/B009UX0NBO/ref=zg_bs_166867011_6?_encoding=UTF8&refRID=EMGGM%E2%80%A6, publicly available at least as early as Dec. 17, 2017.
https://www.amazon.com/gp/offer-listing/B073V3LR2R/ref=dp_olp_new_mbc?ie=UTF8&condition=new, publicly available at least as early as Dec. 17, 2017.
https://www.amazon.com/Secure-Connect-Electrical-Safety-Product/dp/B0083V4NG0/ref=pd_sbs_107_5?_encoding=UTF8&pd_rd_i=B0083V4NG0&p%E2%80%A6, publicly available at least as early as Dec. 17, 2017.
https://www.kickstarter.com/projects/1881196998/myplug-the-first-theft-proof-charging-cable-ever-m?ref=nav_search, publicly available at least as early as Dec. 17, 2017.
<http://ideas.northwestern.edu/projects/charger+.html>, publicly available at least as early as Dec. 17, 2017.
<http://www.ichargerlock.com/>, publicly available at least as early as Dec. 17, 2017.
https://www.kickstarter.com/projects/1881196998/myplug-the-first-theft-proof-charging-cable-ever-m?ref=nav_search, publicly available at least as early as Dec. 17, 2017.
 International Search Report and Written Opinion of the International Searching Authority for International Application PCT/US2018/043358, dated Oct. 9, 2018.
 International Application No. PCT/US2019/038251, International Search Report and Written Opinion, dated Sep. 17, 2019.
 Chinese Patent Application No. 201810013949.3, First Office Action, dated Feb. 3, 2020.

* cited by examiner

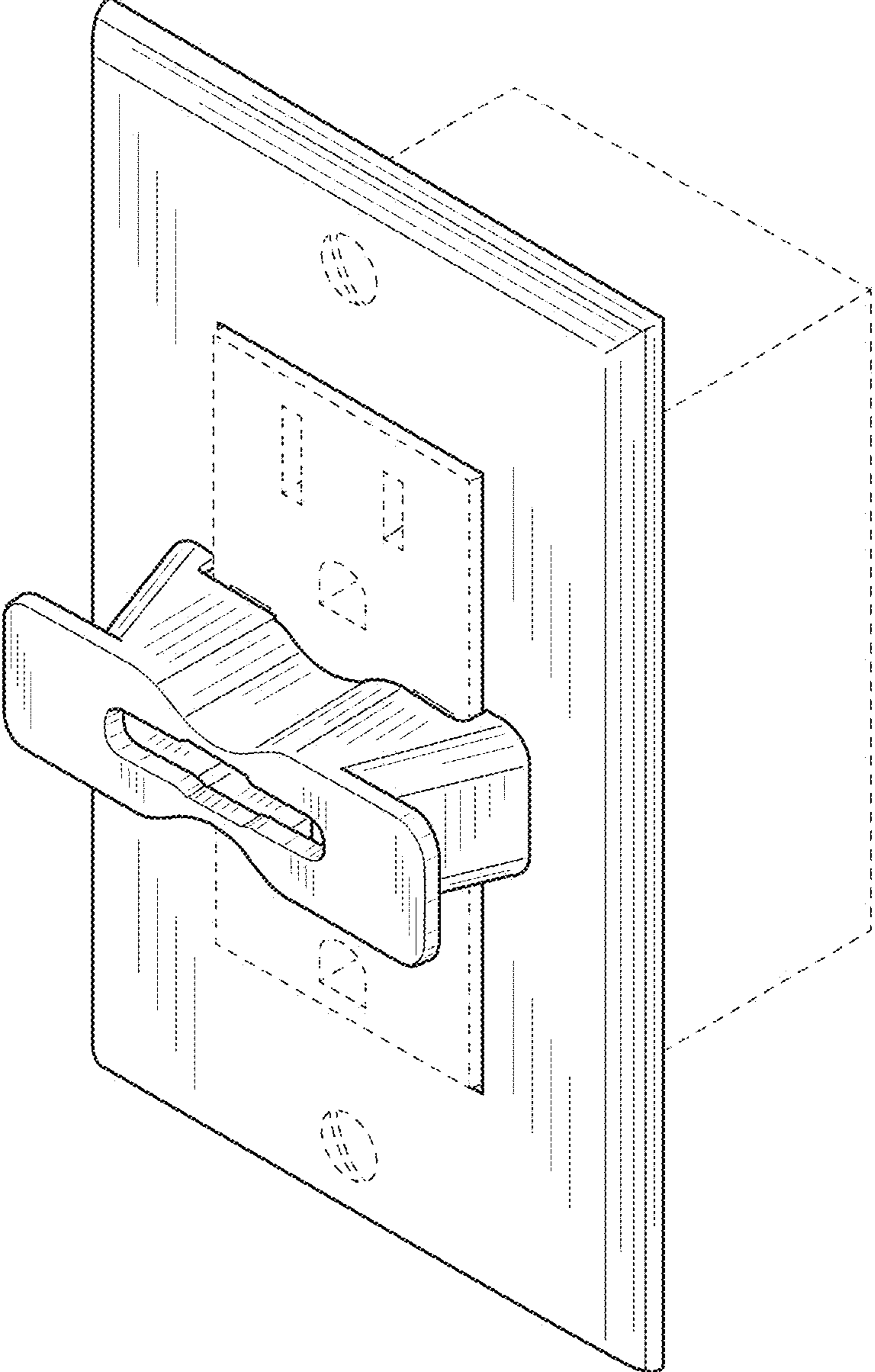


FIG. 1

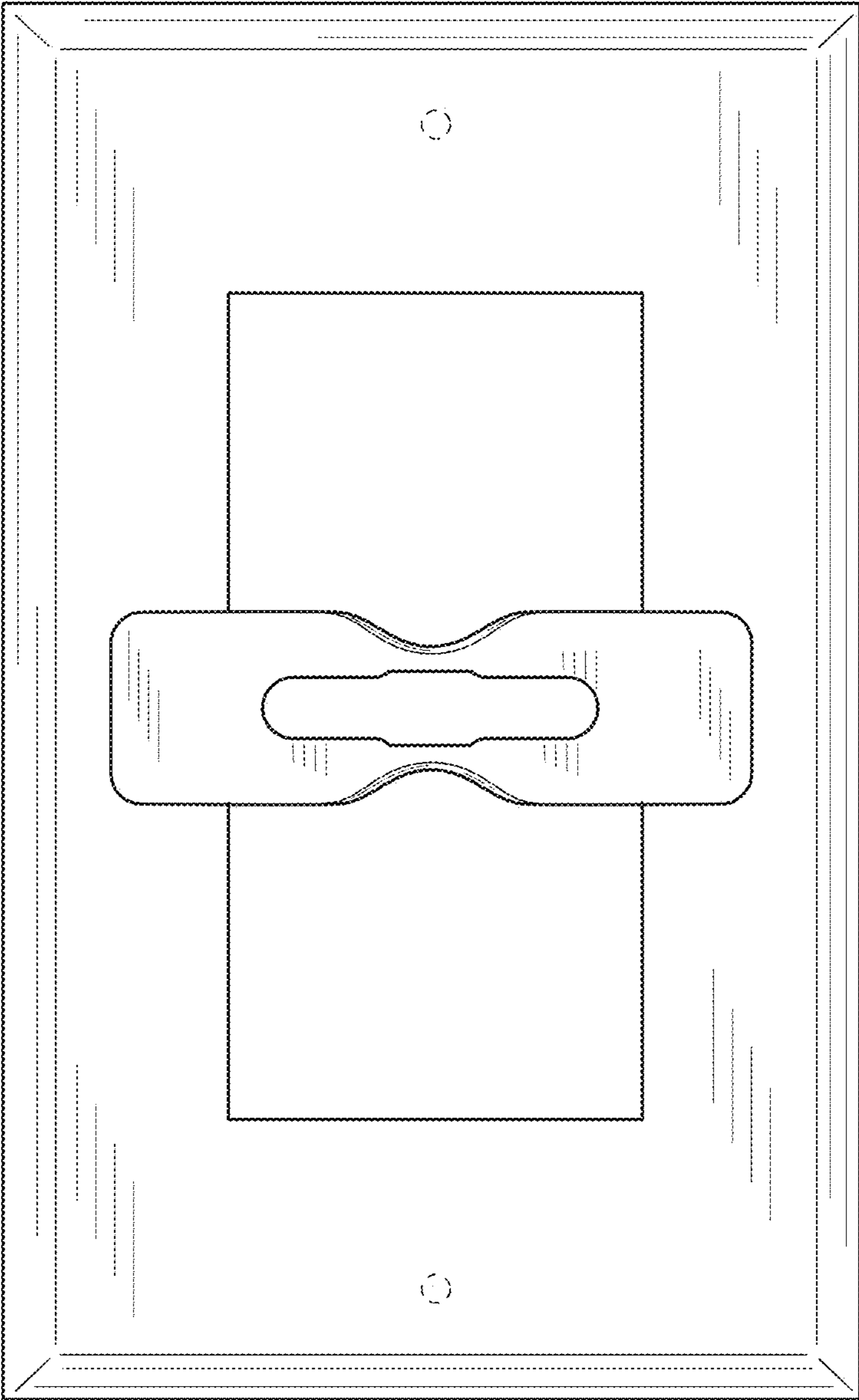


FIG. 2

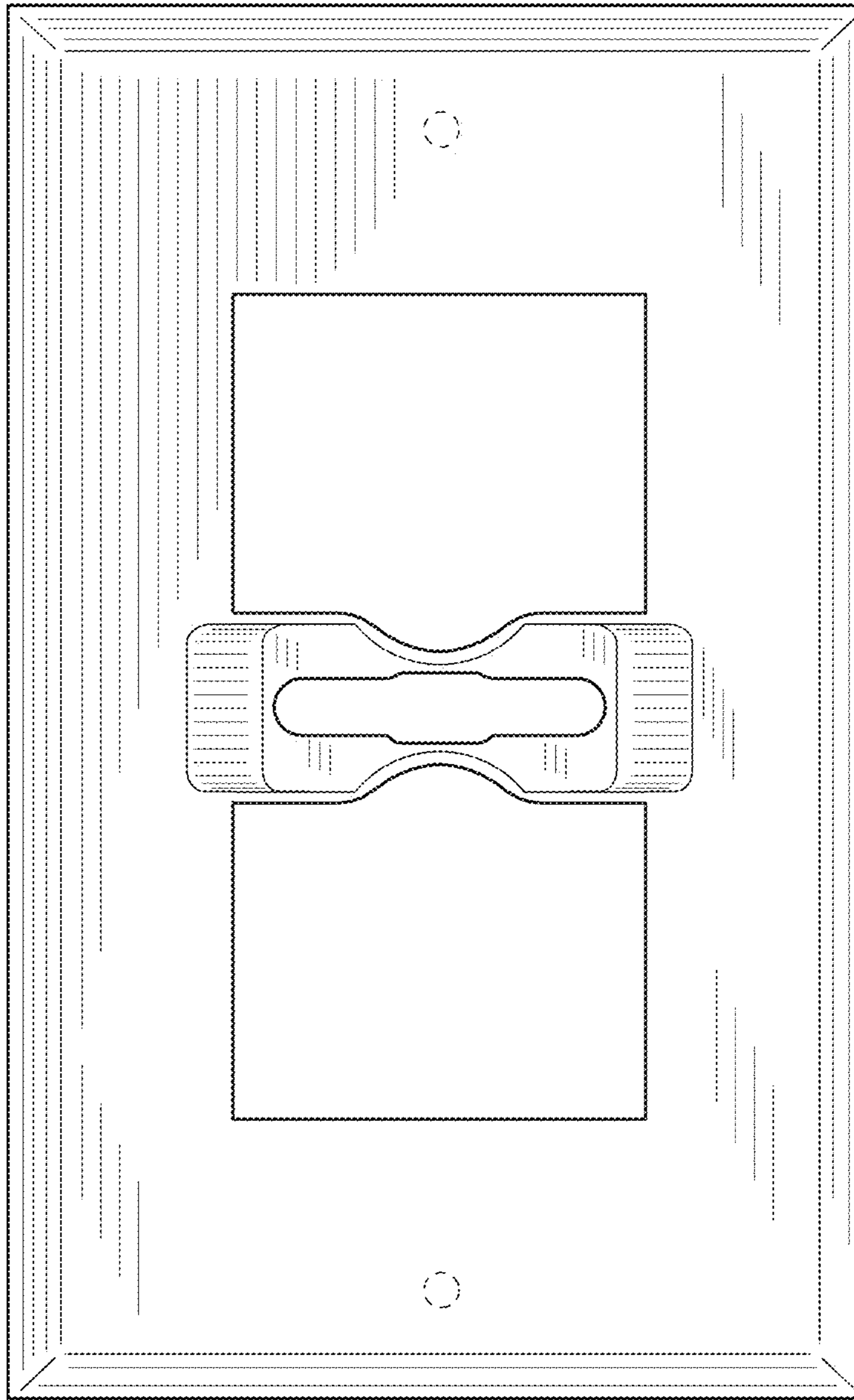


FIG. 3

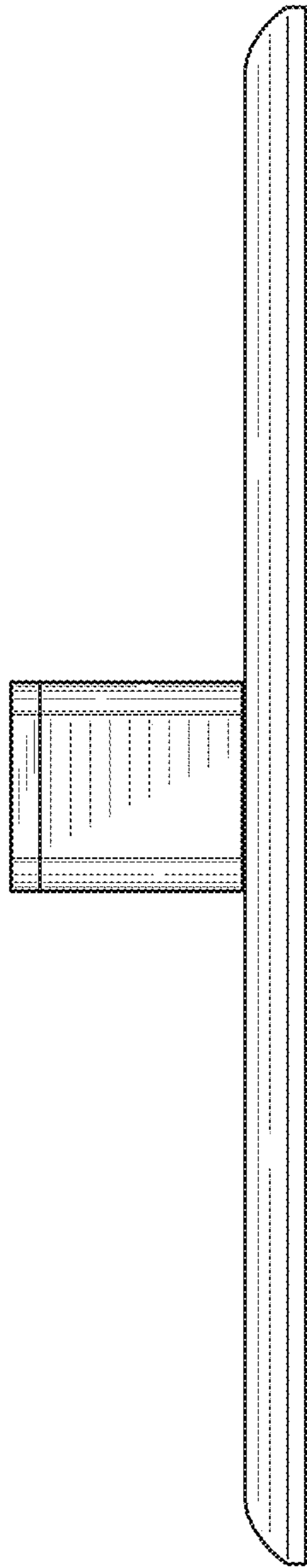


FIG. 4

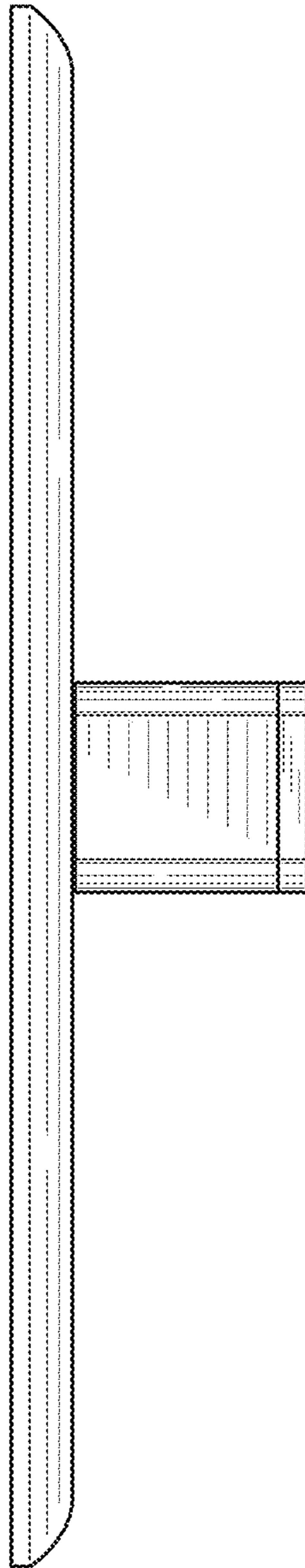


FIG. 5

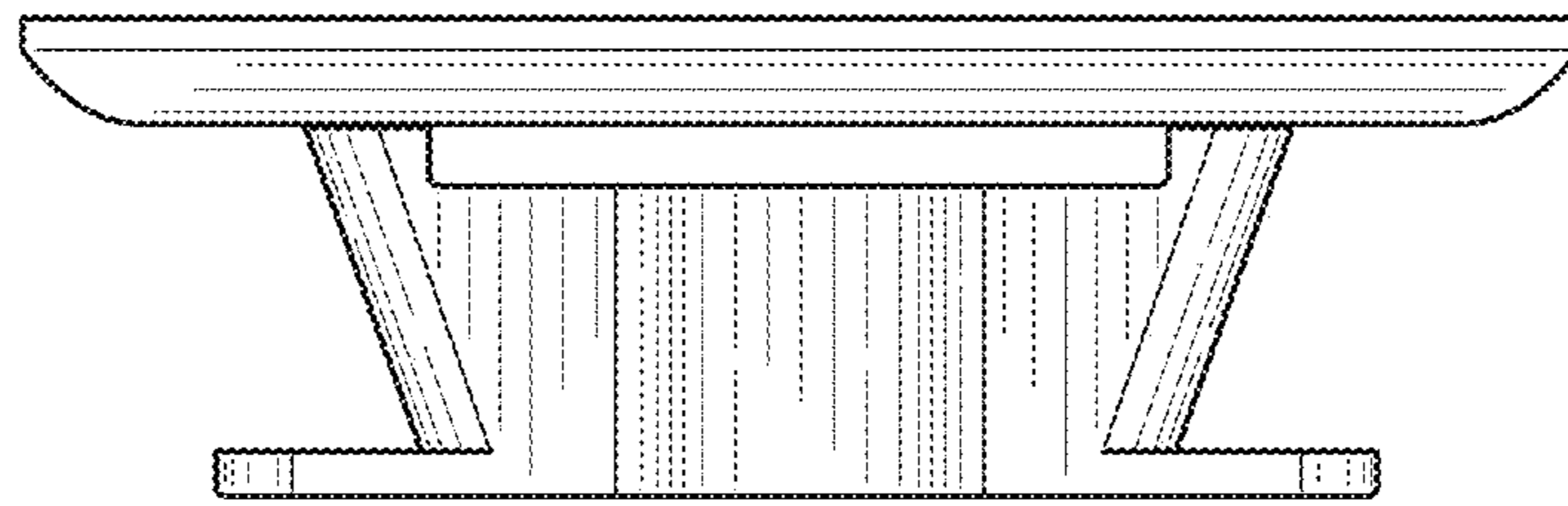


FIG. 6

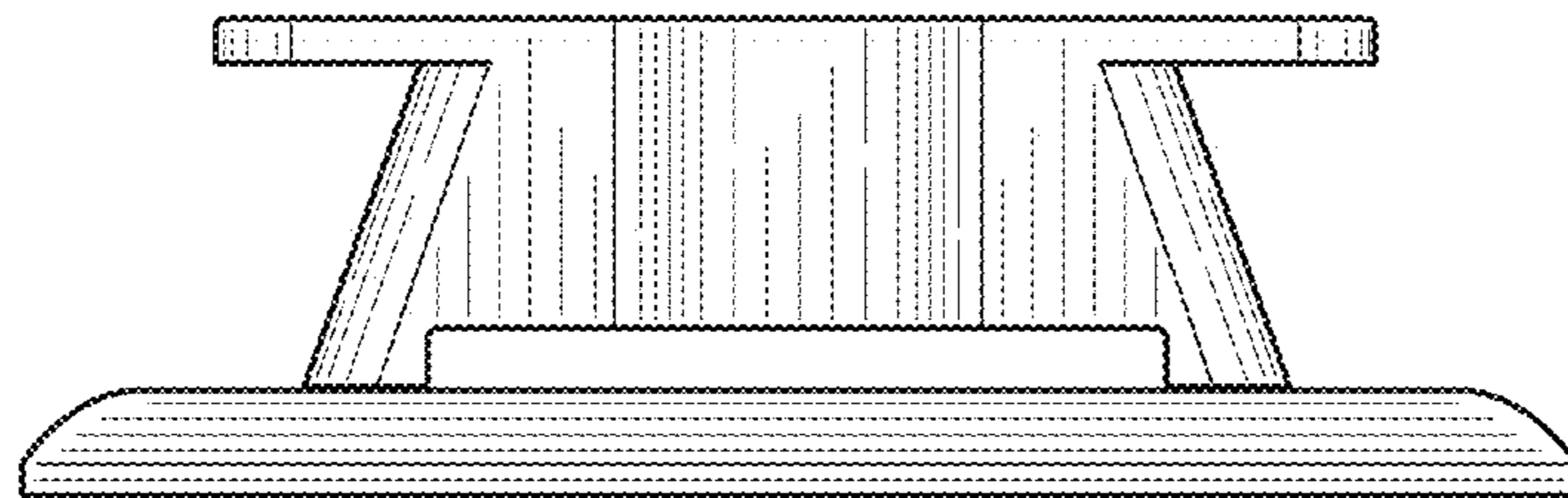


FIG. 7