



US00D889416S

(12) **United States Design Patent** (10) **Patent No.:** **US D889,416 S**
Zhao et al. (45) **Date of Patent:** **** Jul. 7, 2020**

- (54) **DATA LINE**
- (71) Applicants: **Jing Zhao**, Shenzhen (CN); **Hongping Tan**, Hengshan County (CN)
- (72) Inventors: **Jing Zhao**, Shenzhen (CN); **Hongping Tan**, Hengshan County (CN)
- (**) Term: **15 Years**
- (21) Appl. No.: **29/692,777**
- (22) Filed: **May 29, 2019**
- (51) **LOC (12) Cl.** **13-03**
- (52) **U.S. Cl.**
USPC **D13/153**; D13/133
- (58) **Field of Classification Search**
USPC D14/300, 301, 308, 314, 348-349, 433, D14/443; D13/133, 145, 153, 147, 183
CPC A45C 11/00; A45C 2011/003; A45C 2200/05; A45C 2200/0525; A45C 2200/0533; G06F 16/00; G06F 16/10; G06F 1/1607; G06F 1/1632; G06F 1/1684; G06F 1/20; H01R 25/006; H01R 27/02; H01R 31/005
See application file for complete search history.

(56) **References Cited**

U.S. PATENT DOCUMENTS

7,264,479	B1 *	9/2007	Lee	H01R 11/30 439/39
D588,992	S *	3/2009	Zhao	D13/133
D589,453	S *	3/2009	Zhao	D13/147
D596,127	S *	7/2009	Nania	D13/147
D602,871	S *	10/2009	Zhao	D13/147
D612,809	S *	3/2010	Zhao	D13/147
D624,019	S *	9/2010	Victor	D13/133
D629,752	S *	12/2010	Akana	D13/147
7,874,844	B1 *	1/2011	Fitts, Jr.	H01R 31/06 439/218
D649,516	S *	11/2011	Thauer	D13/147
D676,389	S *	2/2013	Worth	D13/147
D679,249	S *	4/2013	Choi	D13/147

D680,076 S 4/2013 McManigal
D685,742 S * 7/2013 Akana D13/147
D743,343 S * 11/2015 Kreitzer D10/80
(Continued)

OTHER PUBLICATIONS

Garas Magnetic Phone Charger Cable | amazon.com; review May 4, 2019 [online]. © 1996-2019, Amazon.com, Inc. [retrieved Jun. 17, 2019] from Internet: <https://www.amazon.com/Magnetic-GARAS-Compatible-Smartphone-ft-Silver/dp/B07Q65S71T/ref=Ip_10058684011_1_5?srs=10058684011&ie=UTF8&qid=1560780779&sr=8-5> (Year: 2019).*

(Continued)

Primary Examiner — Sandra S Snapp
Assistant Examiner — Katherine Glennon
(74) *Attorney, Agent, or Firm* — HYIP

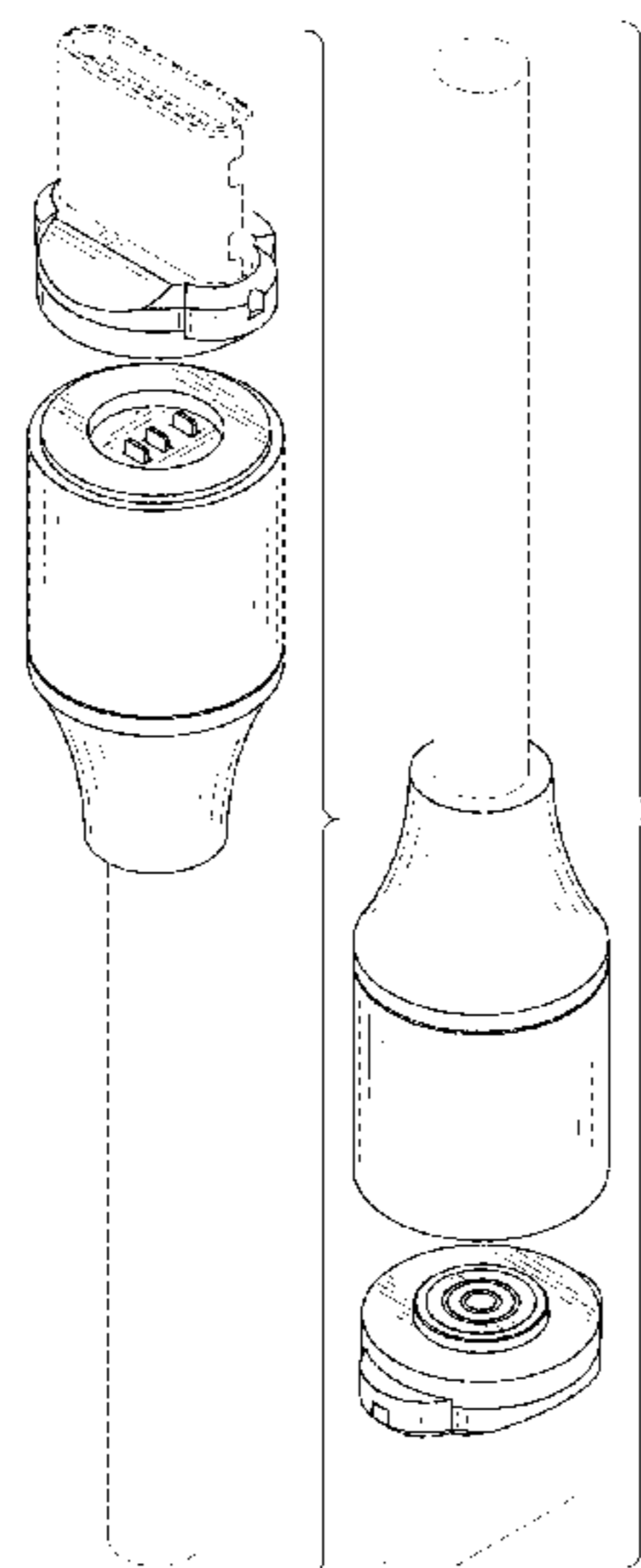
(57) **CLAIM**

The ornamental design for a data line, as shown and described.

DESCRIPTION

FIG. 1 is a first perspective view of a data line showing our new design;
FIG. 2 is a second perspective view thereof;
FIG. 3 is a front view thereof;
FIG. 4 is a back view thereof;
FIG. 5 is a left side view thereof;
FIG. 6 is a right side view thereof;
FIG. 7 is a top view thereof;
FIG. 8 is a bottom view thereof;
FIG. 9 is a perspective view of another state of the data line thereof; and,
FIG. 10 is a perspective view of further another state of the data line thereof.
The broken lines shown in the drawings depict portions of the data line in which the design is embodied that form no part of the claimed design.

1 Claim, 10 Drawing Sheets



(56)

References Cited

U.S. PATENT DOCUMENTS

D744,954 S * 12/2015 Ishiguro D13/147
 D794,573 S * 8/2017 Tateishi D13/147
 D794,574 S * 8/2017 Murphy D13/147
 9,869,826 B1 * 1/2018 Shang G02B 6/3873
 D810,749 S * 2/2018 Zhang D14/433
 D811,343 S * 2/2018 Lau D13/147
 9,979,138 B1 * 5/2018 Chen H01R 13/7137
 D820,217 S * 6/2018 Li D13/147
 D832,263 S 10/2018 Chen
 D843,942 S * 3/2019 Kusano D13/133
 D851,047 S * 6/2019 Zhang D13/153
 D851,089 S * 6/2019 Sweet D14/433
 2002/0001190 A1 * 1/2002 Everett F21V 33/0056
 362/86
 2011/0171837 A1 * 7/2011 Hardisty H01R 13/6205
 439/39
 2014/0099801 A1 * 4/2014 Liao H01R 13/6205
 439/39
 2014/0235075 A1 * 8/2014 Kim H01R 13/6205
 439/39
 2015/0024611 A1 * 1/2015 Wilkolaski H01R 13/6205
 439/39
 2016/0047494 A1 * 2/2016 Dickinson B60R 16/0215
 248/74.2

OTHER PUBLICATIONS

Kyerivs Magnetic USB Charging Cable | posted at amazon.com, review date Jan. 2019 [online]. © 1996-2019, Amazon.com, Inc. [retrieved Jun. 14, 2019] from Internet: <<https://www.amazon.com/Magnetic-Charging-Lighting-Adapters-Fast-Kyerivs/dp/B07HRSFRLM#customerReviews>> (Year: 2019).*

TOPK USB Magnetic Cable Type C |amazon.com review Apr. 2019 ©1996-2019, Amazon.com, Inc [retrieved Jun. 17, 2019] from Internet: <https://www.amazon.com/TOPK-Magnetic-Braided-Charging-Charger/dp/B07MYJQKJ6/ref=pd_Ipo_sbs_107_t_0?_encoding=UTF8&psc=1&refRID=9B12K77E823VADJ7R5QB#custonnerReviews> (Year: 2019).*

Floveme Universal Magnetic USB Charging Cable | posted at newegg.com; review date Jul. 2018 [online]. © 2000-2019 Newegg Inc. [retrieved Jun. 14, 2019] from Internet: <<https://www.newegg.com/black-flovenne-3-3-feet-3-in-1-magnetic-cable/p/364-004Y-00081?reviews=all>> (Year: 2019).*

* cited by examiner

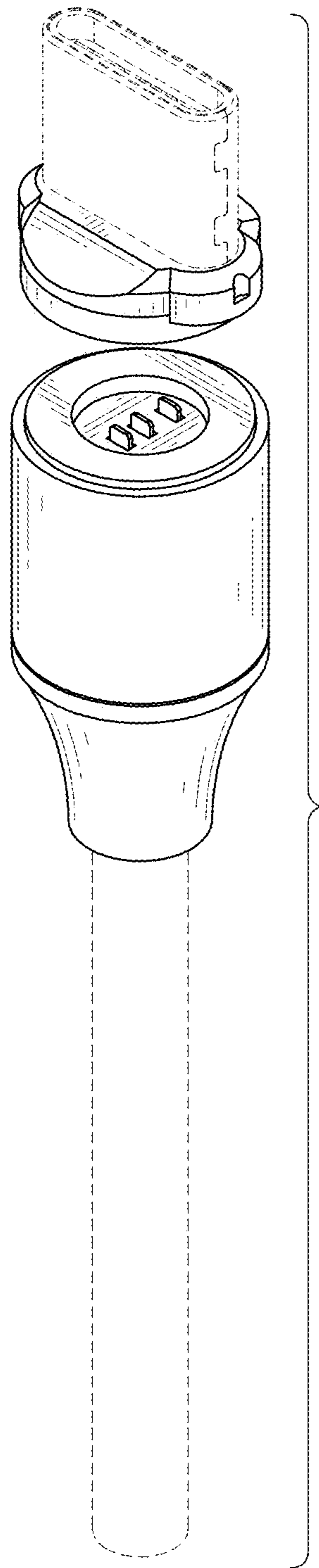


FIG. 1

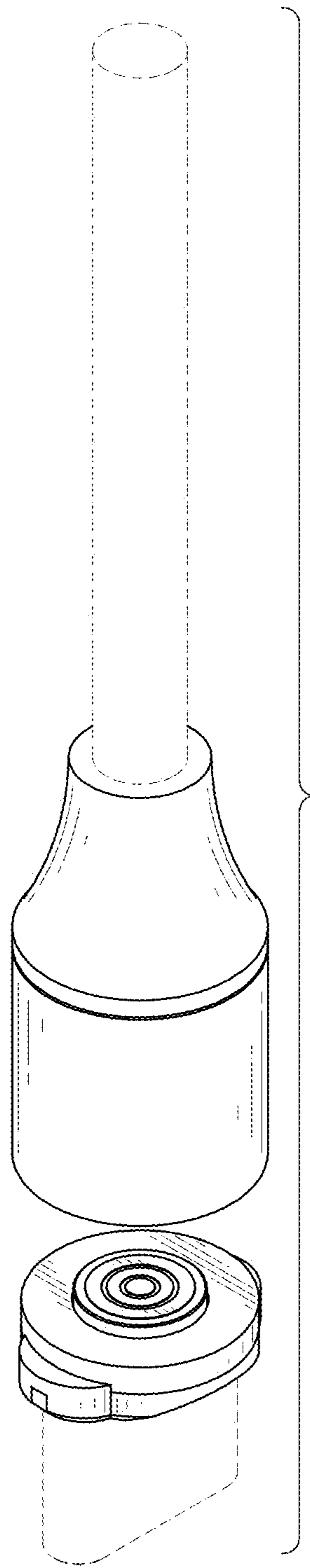


FIG. 2

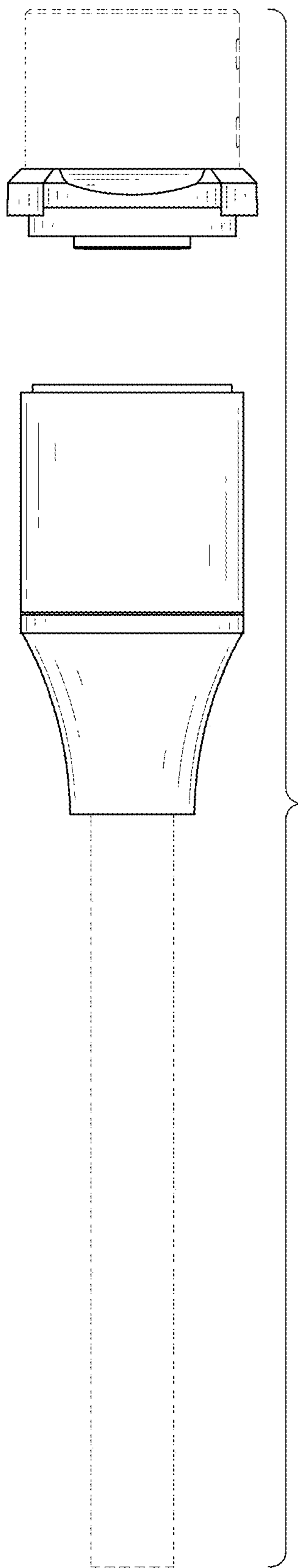


FIG. 3

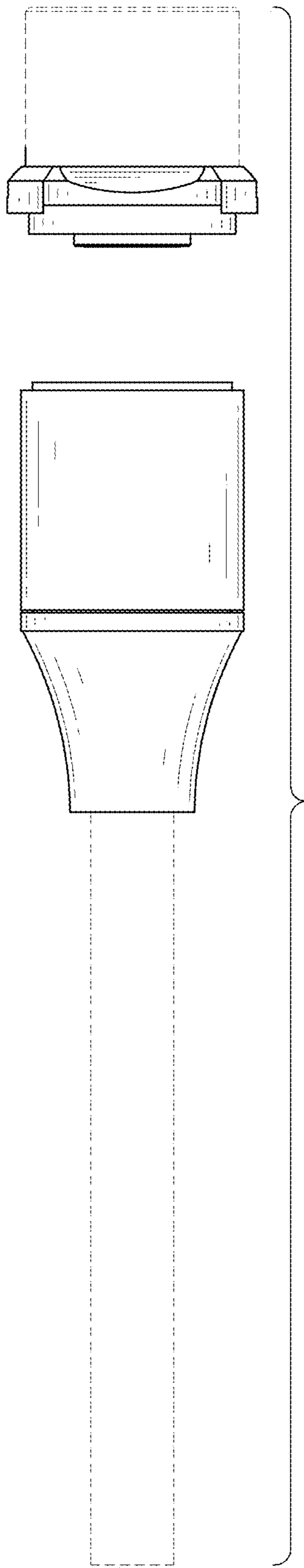


FIG. 4

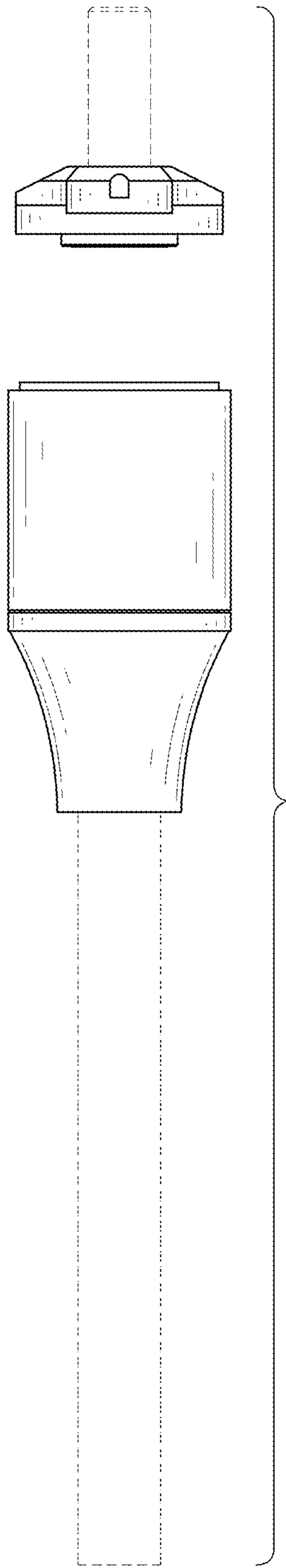


FIG. 5

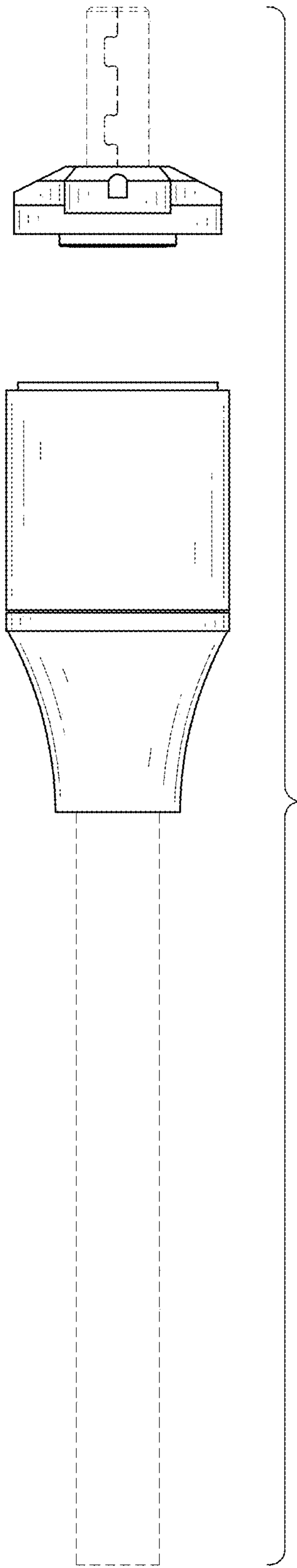


FIG. 6

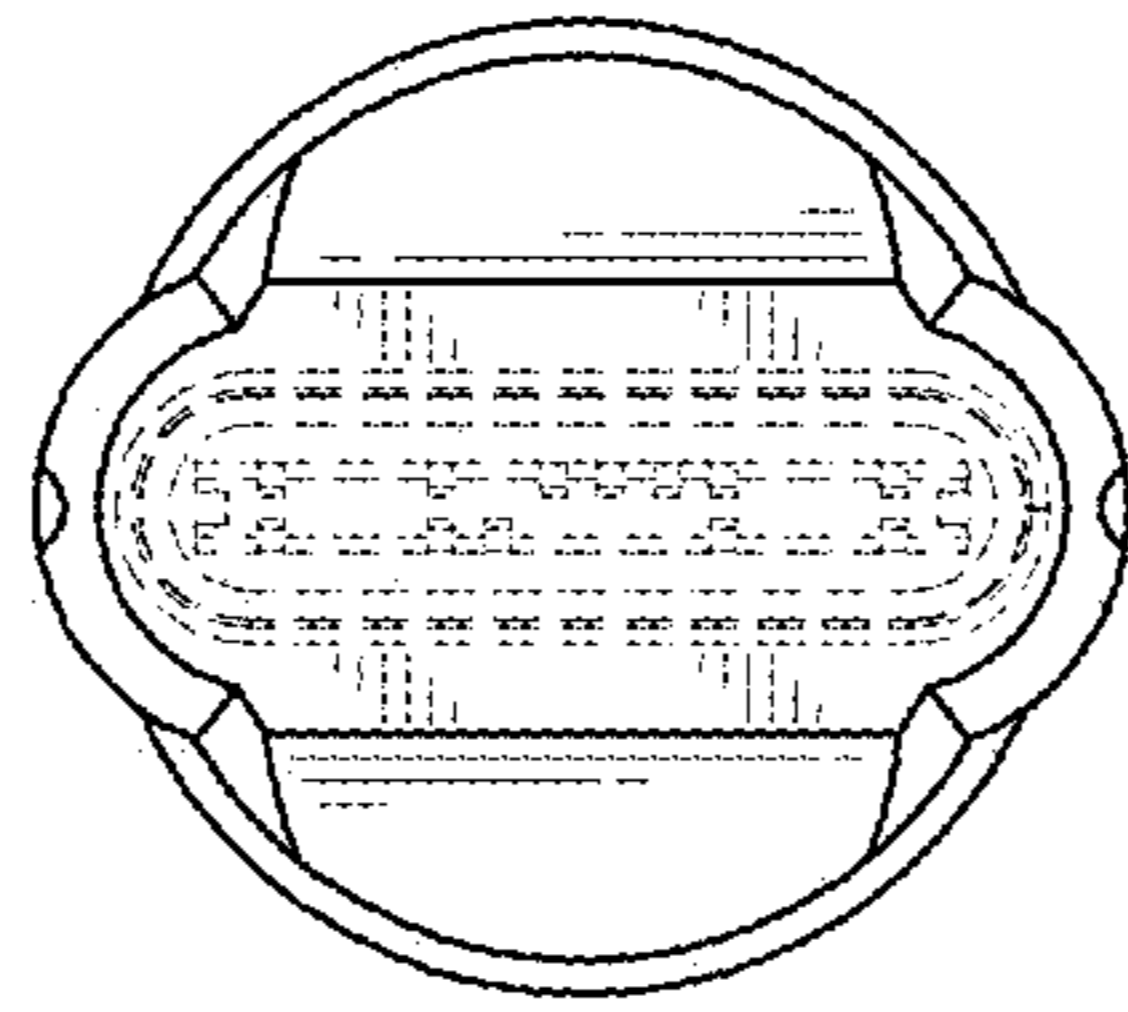


FIG. 7

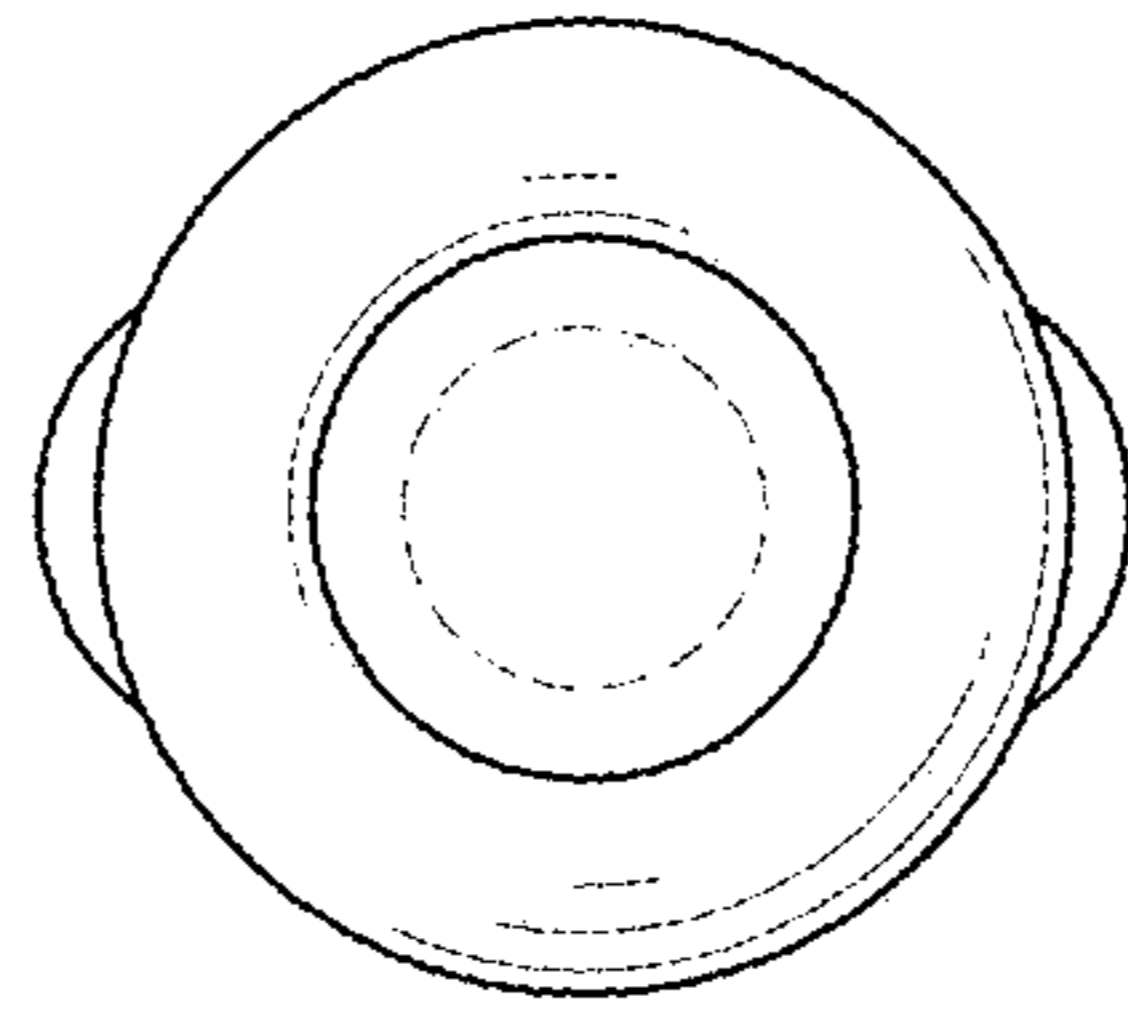


FIG. 8

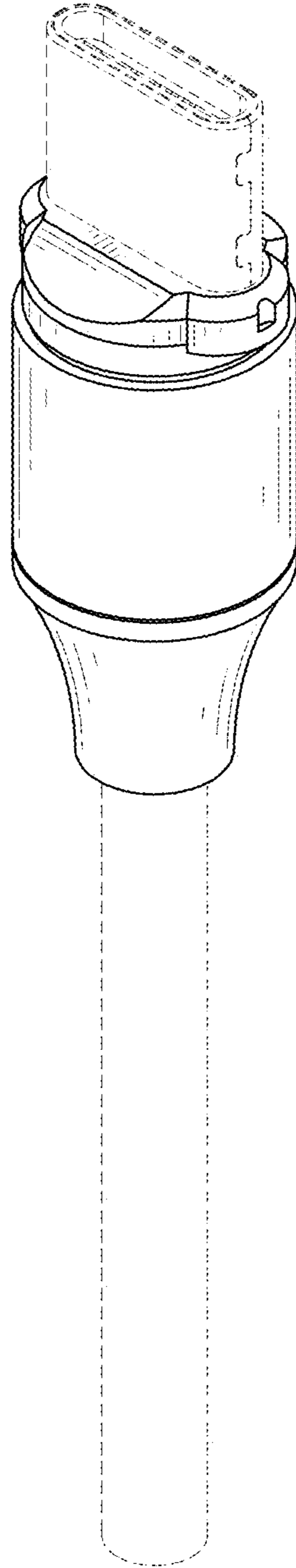


FIG. 9

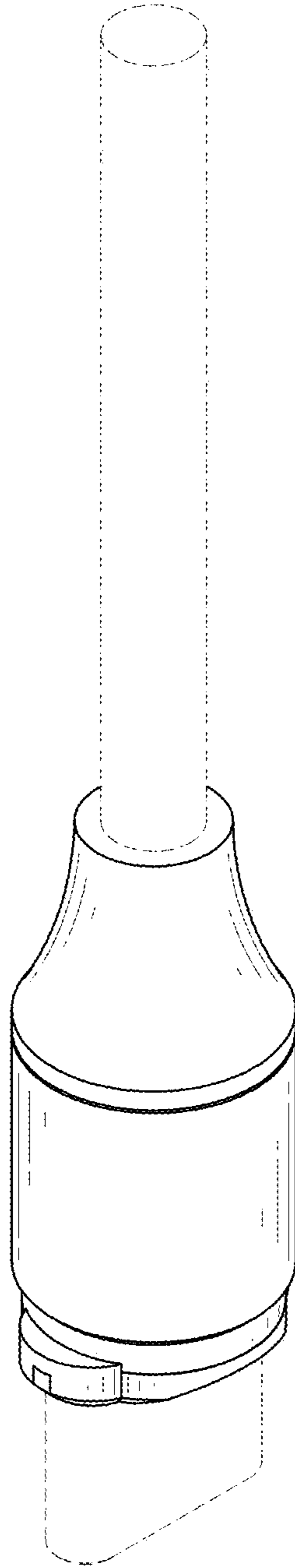


FIG. 10