



US00D889415S

(12) **United States Design Patent** (10) **Patent No.:** **US D889,415 S**
Oguma et al. (45) **Date of Patent:** **** Jul. 7, 2020**

(54) **PROCESS CARTRIDGE FOR IMAGE FORMING APPARATUS**

(71) Applicant: **CANON KABUSHIKI KAISHA**, Tokyo (JP)
 (72) Inventors: **Toru Oguma**, Shizuoka-ken (JP);
Naoya Asanuma, Shizuoka-ken (JP);
Tetsuya Numata, Shizuoka-ken (JP);
Takuya Kawakami, Shizuoka-ken (JP);
Yohei Kusano, Shizuoka-ken (JP);
Daisuke Hiramatsu, Tokyo (JP);
Takayuki Yada, Shizuoka-ken (JP);
Takatoshi Hamada, Shizuoka-ken (JP);
Go Torii, Shizuoka-ken (JP); **Hiroaki Nosh**, Shizuoka-ken (JP)

(73) Assignee: **Canon Kabushiki Kaisha**, Tokyo (JP)

(**) Term: **15 Years**

(21) Appl. No.: **29/672,793**

(22) Filed: **Dec. 10, 2018**

Related U.S. Application Data

(62) Division of application No. 35/503,667, filed on Apr. 26, 2017 (U.S. filing date under 35 U.S.C. 384), and having an international filing date of Apr. 26, 2017, now abandoned.

(30) **Foreign Application Priority Data**

Oct. 31, 2016 (JP) 2016-023597

(51) **LOC (12) Cl.** **16-03**

(52) **U.S. Cl.**
 USPC **D13/137.4; D18/43**

(58) **Field of Classification Search**
 USPC D18/43, 56, 36
 CPC B41J 2/17503; G03G 21/1832
 See application file for complete search history.

(56) **References Cited**

U.S. PATENT DOCUMENTS

4,965,633	A *	10/1990	Surti	G03G 21/1832
				206/455
D378,830	S *	4/1997	Kim	D18/43
5,619,237	A *	4/1997	Inoue	B41J 2/17503
				347/86
D584,343	S *	1/2009	Kwon	D18/43
D600,276	S *	9/2009	Noh	D18/43
D614,691	S *	4/2010	Abe et al.	
D631,088	S *	1/2011	Chadani	D18/43
D631,090	S *	1/2011	Chadani	D18/43
D632,731	S *	2/2011	Abe et al.	
D636,434	S *	4/2011	Kim	D18/43
D639,846	S *	6/2011	Kanno	D18/43
D692,945	S *	11/2013	Noh	D18/43

(Continued)

FOREIGN PATENT DOCUMENTS

JP 2016099403 A 5/2016

Primary Examiner — Rhea Shields

(74) *Attorney, Agent, or Firm* — Venable LLP

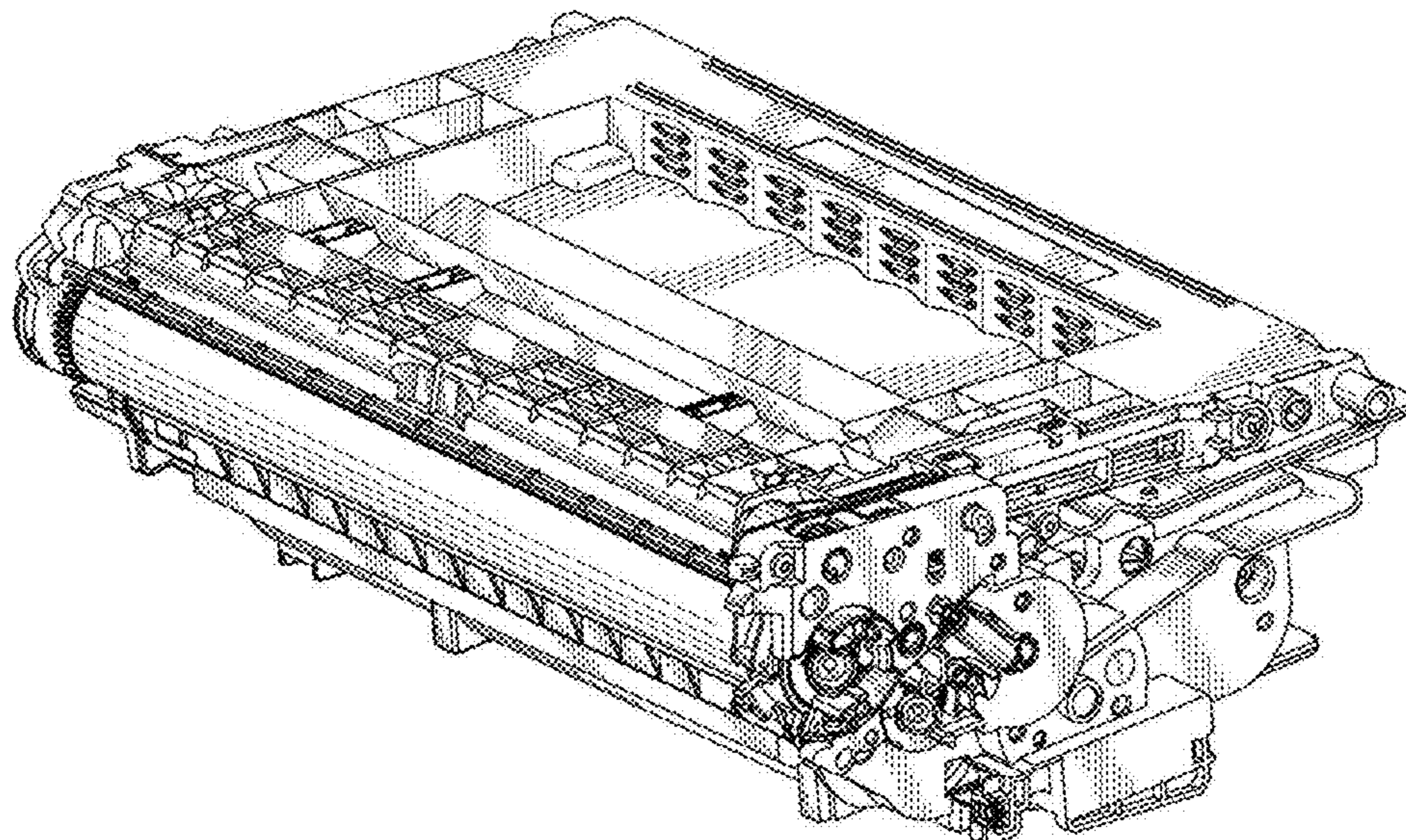
(57) **CLAIM**

The ornamental design for a process cartridge for image forming apparatus, as shown and described.

DESCRIPTION

FIG. 1 is a front view of the process cartridge for image forming apparatus, showing our new design;
 FIG. 2 : Is a back view thereof;
 FIG. 3 : Is a top plan view thereof;
 FIG. 4 : Is a bottom plan view thereof;
 FIG. 5 : Is a left side view thereof;
 FIG. 6 : Is a right side view thereof; and
 FIG. 7 : Is a perspective view thereof; and
 FIG. 8 is another perspective view thereof.

1 Claim, 8 Drawing Sheets



(56)

References Cited

U.S. PATENT DOCUMENTS

D728,014 S *	4/2015	Lee	D18/56
D783,087 S *	4/2017	Fukamachi	D18/36
D786,344 S *	5/2017	Lee	D18/56
D786,968 S *	5/2017	Uratani	D18/56
9,651,916 B2	5/2017	Kawakami et al.	
D790,005 S *	6/2017	Maeshima	D18/43
D795,340 S *	8/2017	Taguchi	D18/43
D795,341 S *	8/2017	Taguchi	D18/43
D832,339 S *	10/2018	Toba	D18/43
D843,443 S *	3/2019	Kawai	D18/43
D845,384 S *	4/2019	Oguma	D18/43

* cited by examiner

Fig. 1

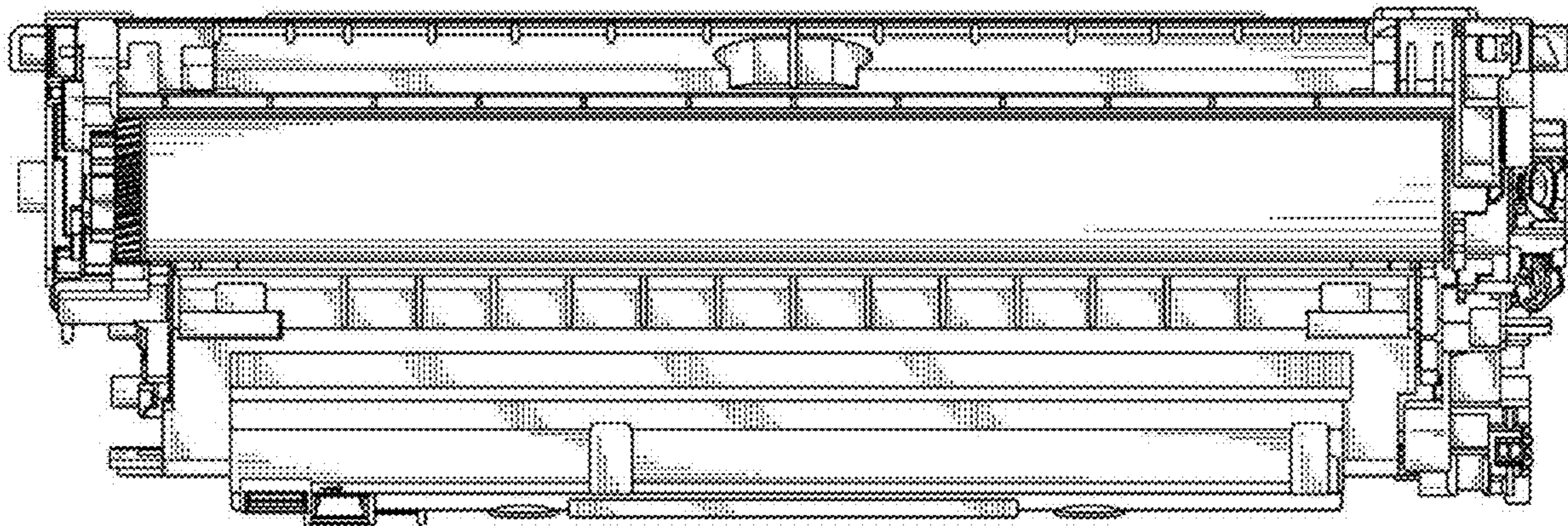


Fig. 2

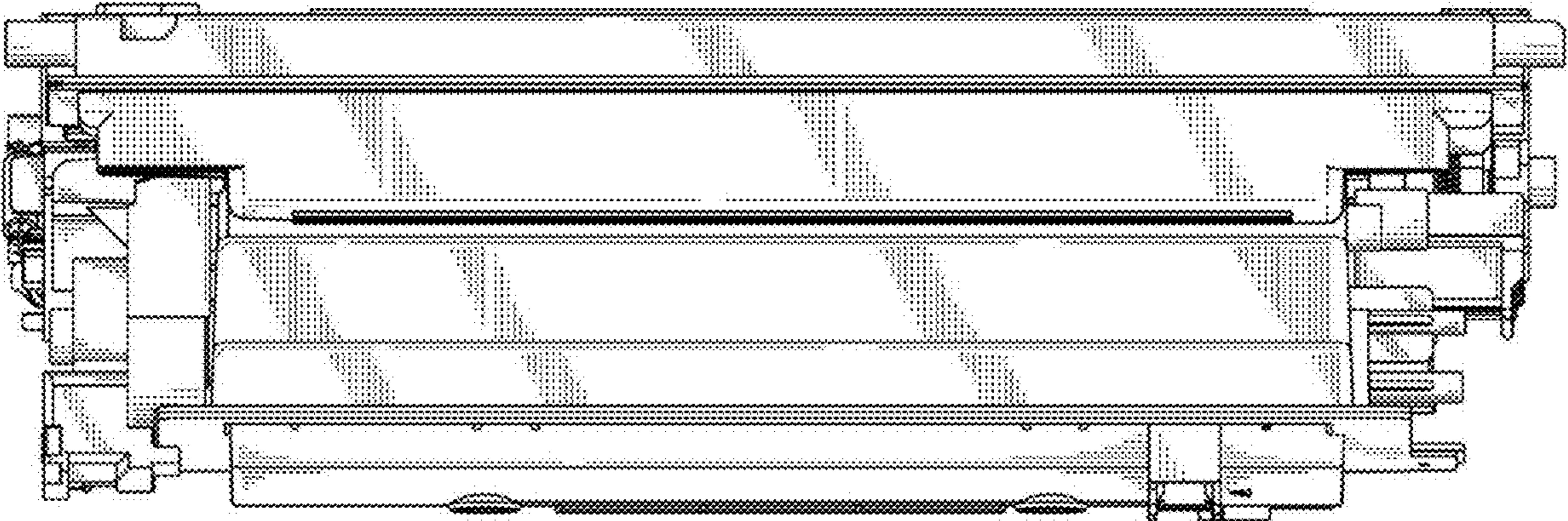


Fig. 3

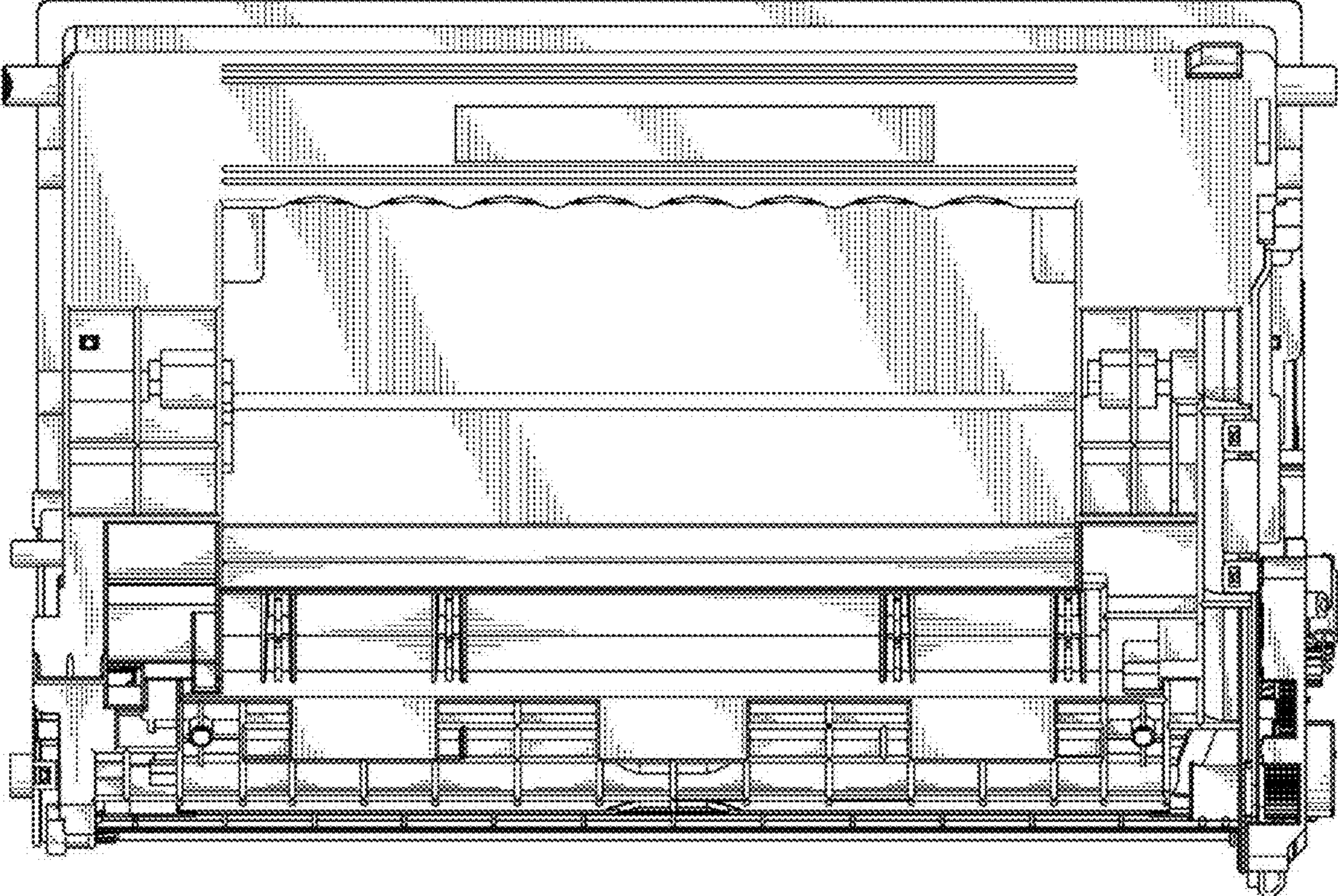


Fig. 4

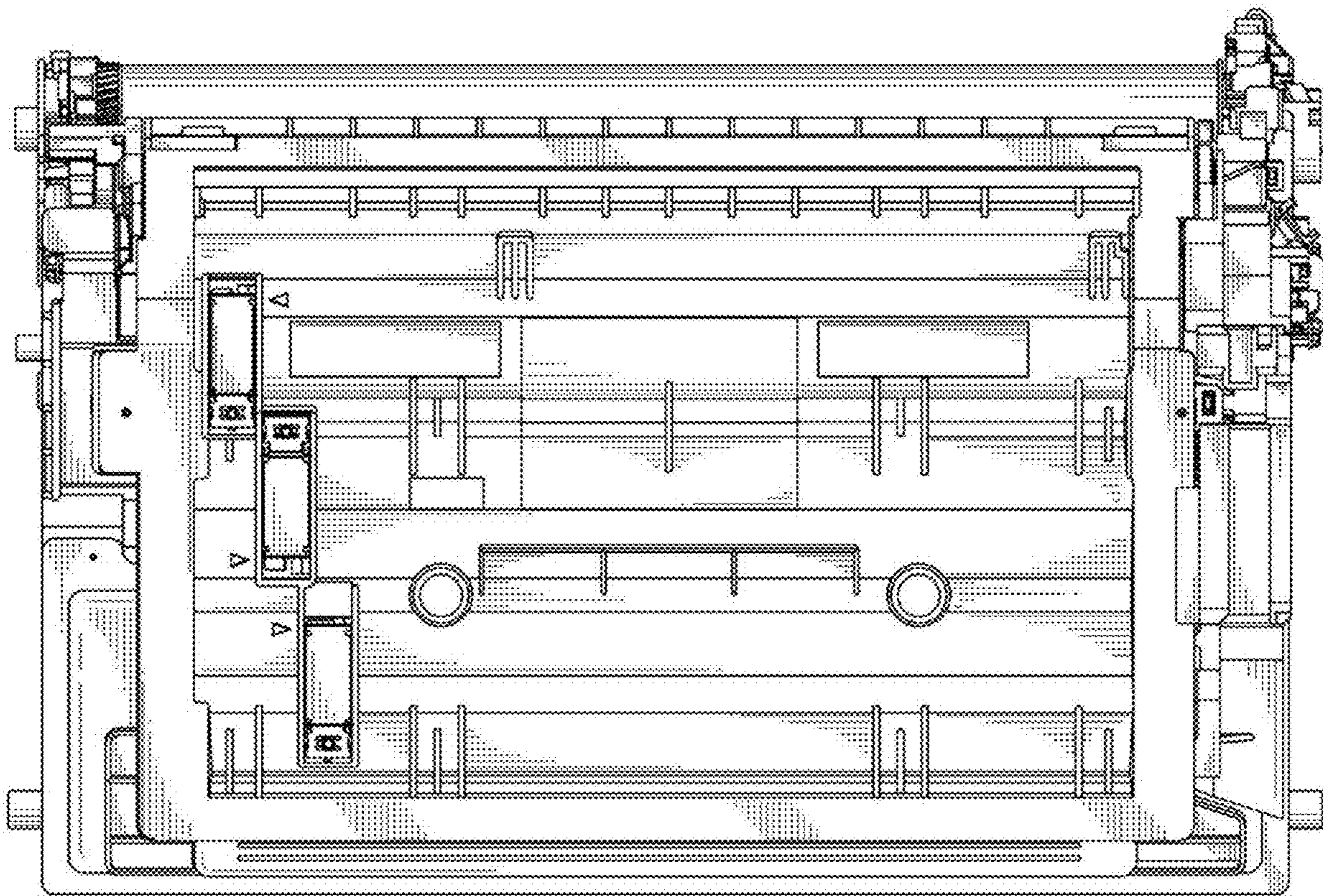


Fig. 5

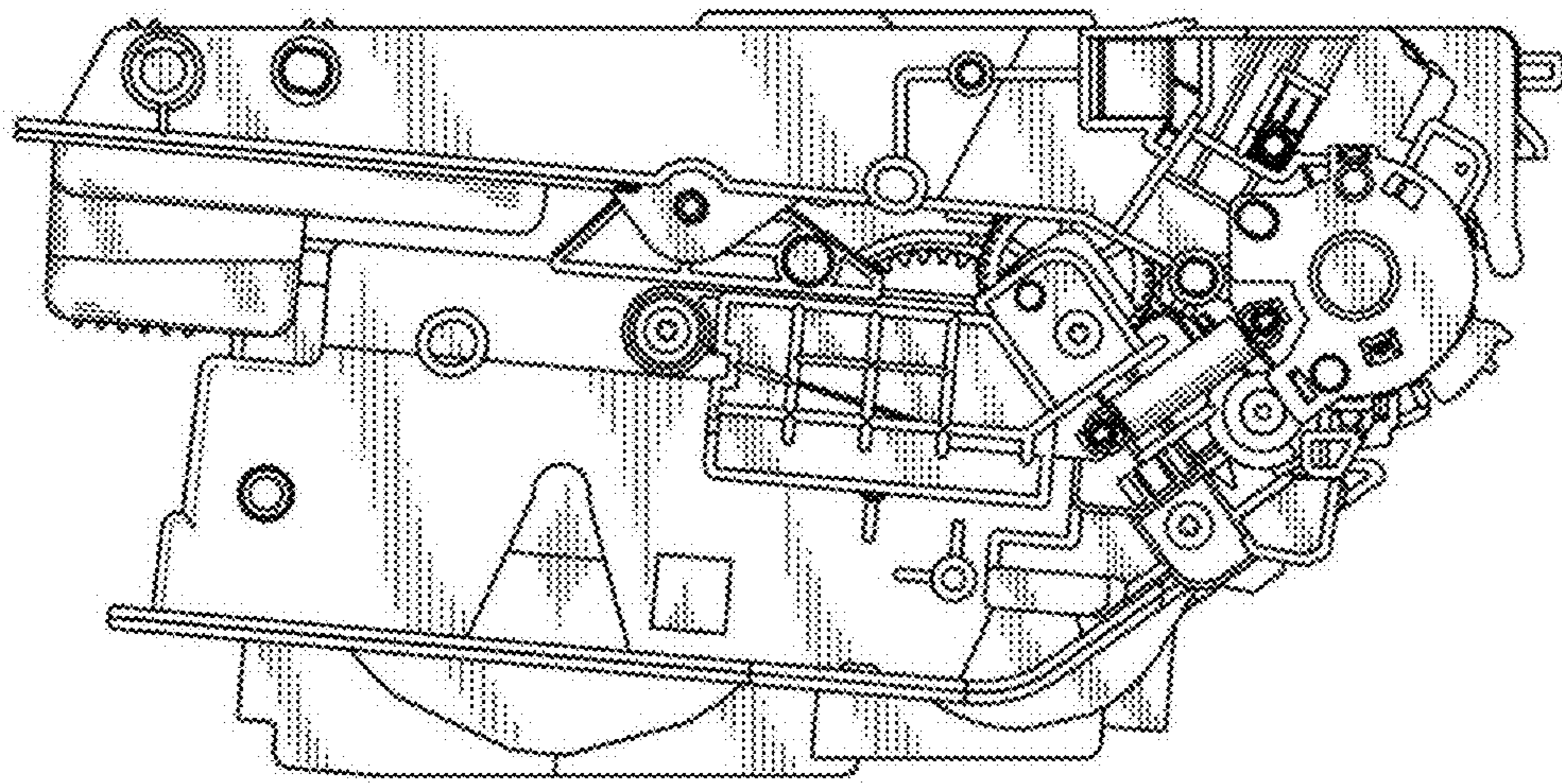


Fig. 6

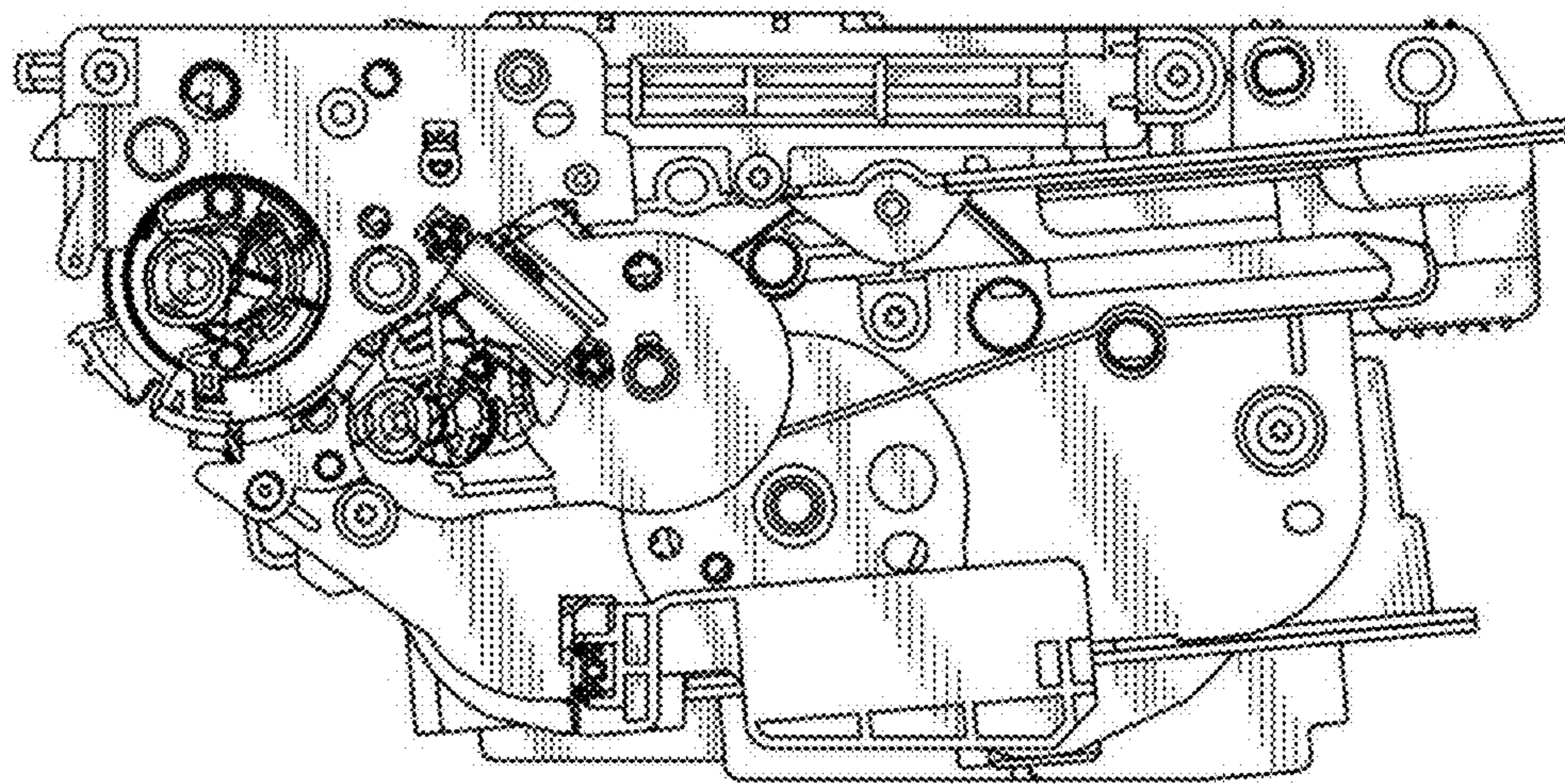


Fig. 7

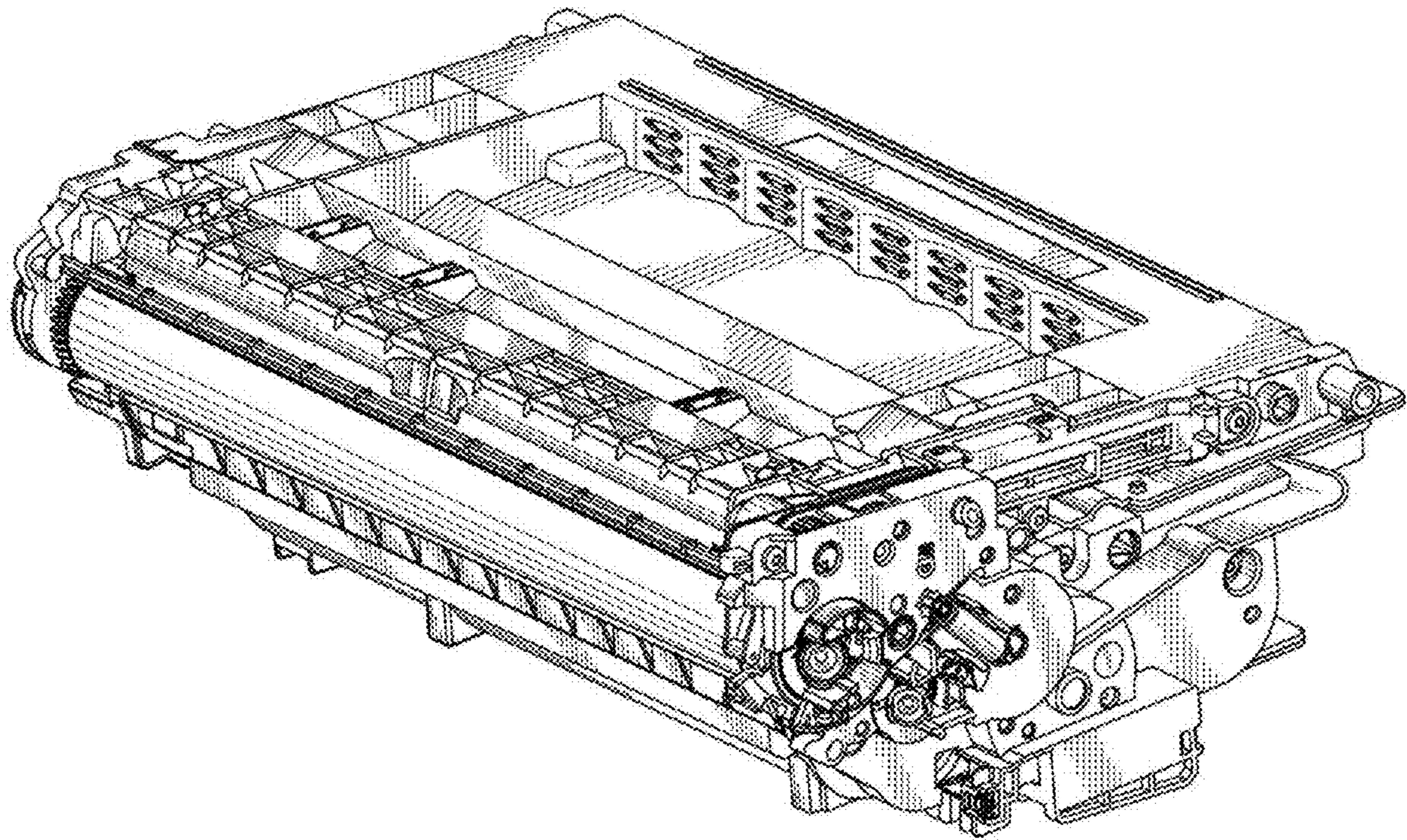


Fig. 8

