



US00D889414S

(12) **United States Design Patent** (10) **Patent No.:** **US D889,414 S**  
**Li** (45) **Date of Patent:** **\*\* Jul. 7, 2020**

(54) **ADAPTER FOR CIRCUIT**  
(71) Applicant: **Fayeung Lighting CO., LTD.,**  
Dongguan (CN)  
(72) Inventor: **Zhaoyuan Li,** Dongguan (CN)  
(73) Assignee: **FAYEUNG LIGHTING CO., LTD.,**  
Dongguan (CN)  
(\*\*) Term: **15 Years**

(21) Appl. No.: **29/655,327**

(22) Filed: **Jul. 2, 2018**

(30) **Foreign Application Priority Data**

May 23, 2018 (CN) ..... 2018 3 0242523

(51) **LOC (12) Cl.** ..... **13-03**

(52) **U.S. Cl.**  
USPC ..... **D13/133**

(58) **Field of Classification Search**  
USPC ..... D13/110, 112, 118, 123–125, 128, 129,  
D13/133, 146–149, 154–156, 158, 173,  
D13/184, 199

CPC ..... H01R 13/00; H01R 13/33; H01R 13/40;  
H01R 13/405; H01R 13/42; H01R 13/52;  
H01R 31/02; H01R 31/06

See application file for complete search history.

(56) **References Cited**

**U.S. PATENT DOCUMENTS**

D417,862 S \* 12/1999 Wood ..... D13/133  
D419,525 S \* 1/2000 Arai ..... D13/147

D601,091 S \* 9/2009 Hyland ..... D13/133  
D620,893 S \* 8/2010 Stock ..... D13/151  
10,305,237 B1 \* 5/2019 Li ..... H01R 31/06  
2008/0233785 A1 \* 9/2008 Yaworski ..... H01H 85/0021  
439/282  
2010/0255724 A1 \* 10/2010 Cours ..... H01R 13/639  
439/595  
2010/0285678 A1 \* 11/2010 Mech ..... H01R 4/38  
439/101  
2012/0214325 A1 \* 8/2012 Zhu ..... H01R 13/6273  
439/312  
2019/0089090 A1 \* 3/2019 Borkar ..... H01R 13/5213

\* cited by examiner

*Primary Examiner* — Angela J Lee

*Assistant Examiner* — Shawn T Gingrich

(74) *Attorney, Agent, or Firm* — Hemisphere Law, PLLC;  
Zhigang Ma

(57) **CLAIM**

The ornamental design for an adapter for circuit, as shown.

**DESCRIPTION**

FIG. 1 is a perspective view of an adapter for circuit, showing my new design;

FIG. 2 is a front view thereof;

FIG. 3 is a rear view thereof;

FIG. 4 is a left side view thereof;

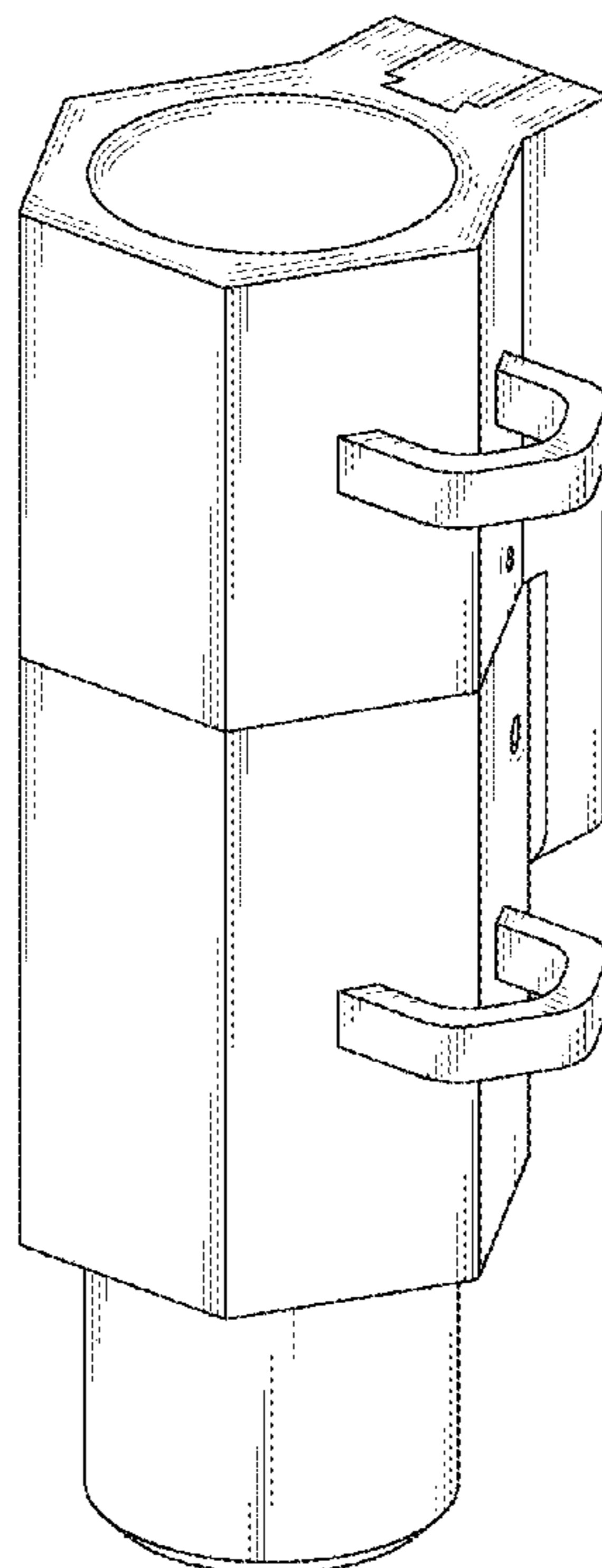
FIG. 5 is a right side view thereof;

FIG. 6 is a top plan view thereof; and,

FIG. 7 is a bottom plan view thereof.

The broken lines in the drawings illustrate portions of the adapter that form no part of the claimed design.

**1 Claim, 6 Drawing Sheets**



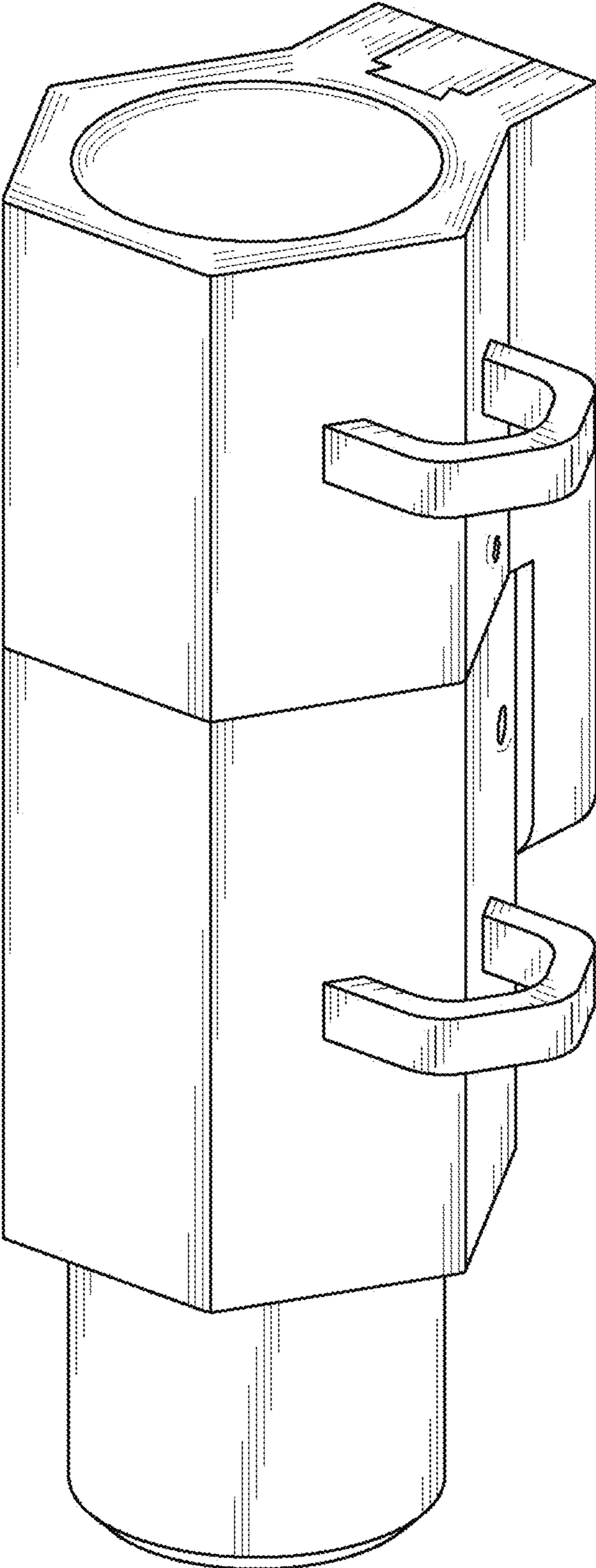


FIG. 1

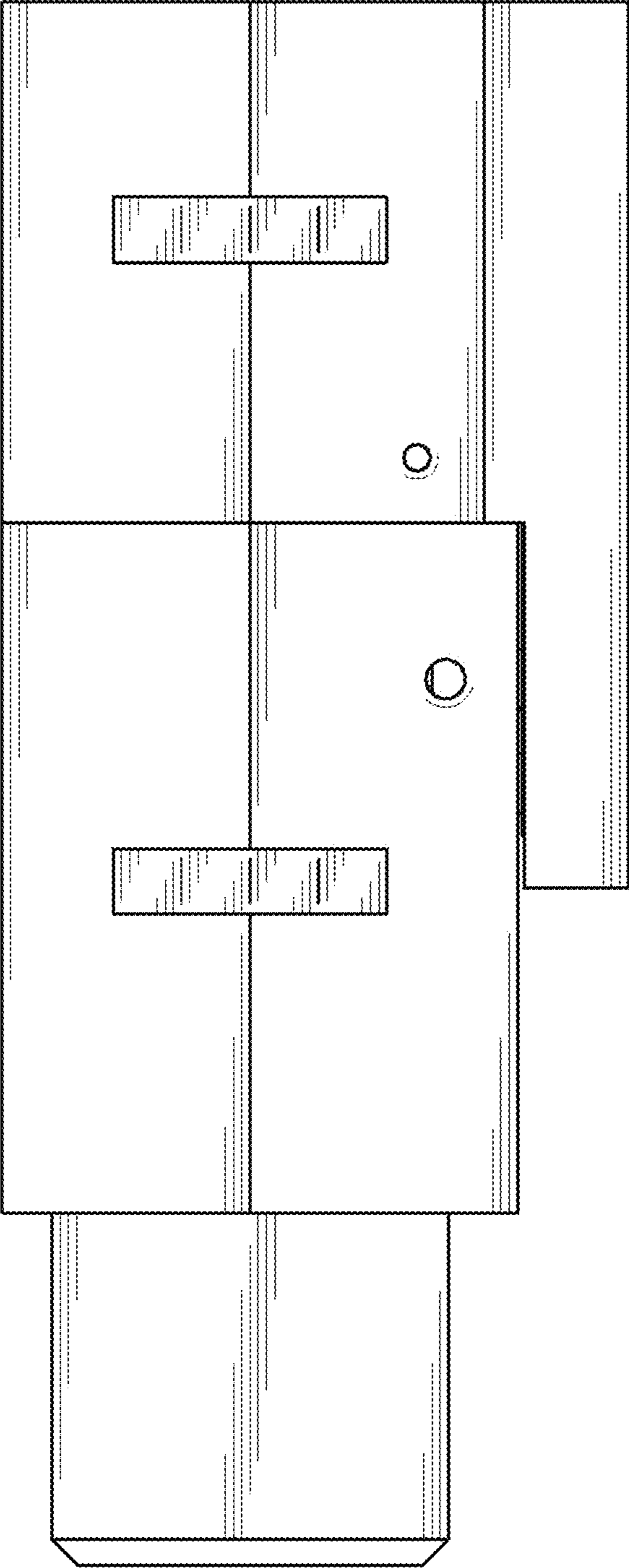


FIG. 2

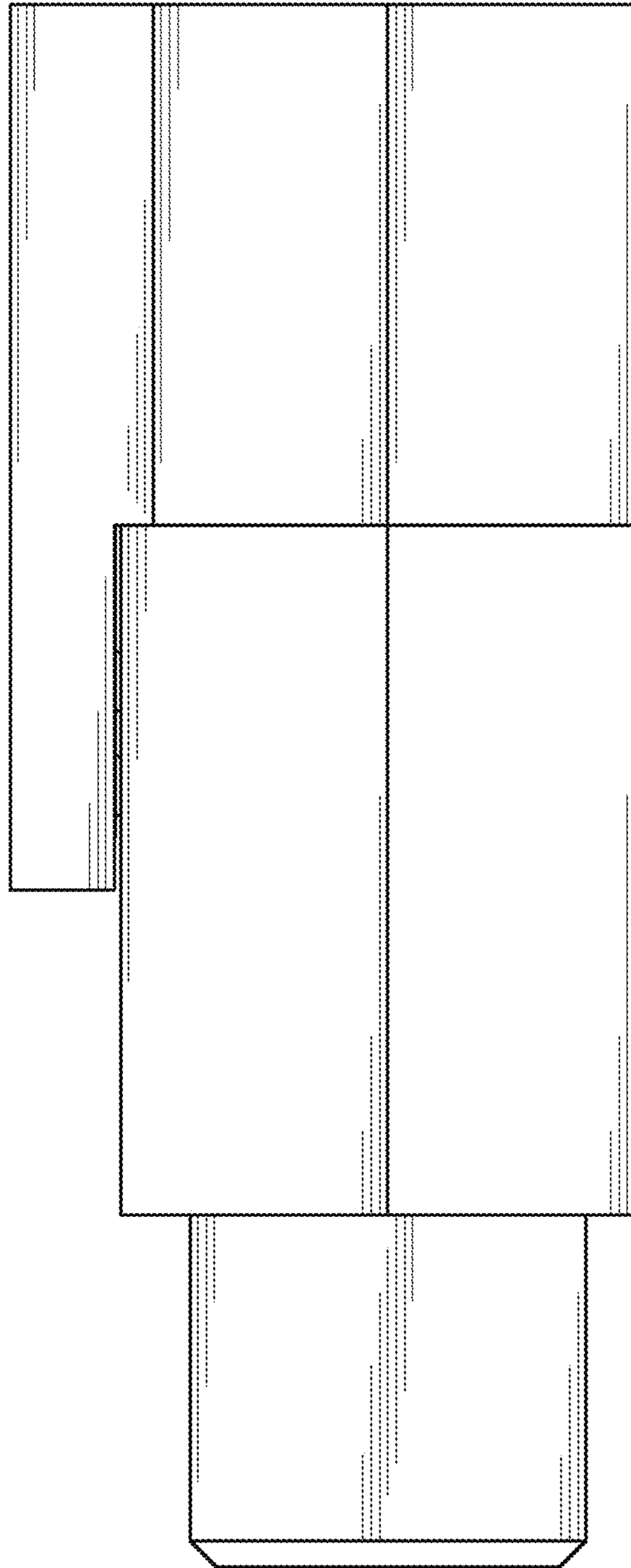


FIG. 3

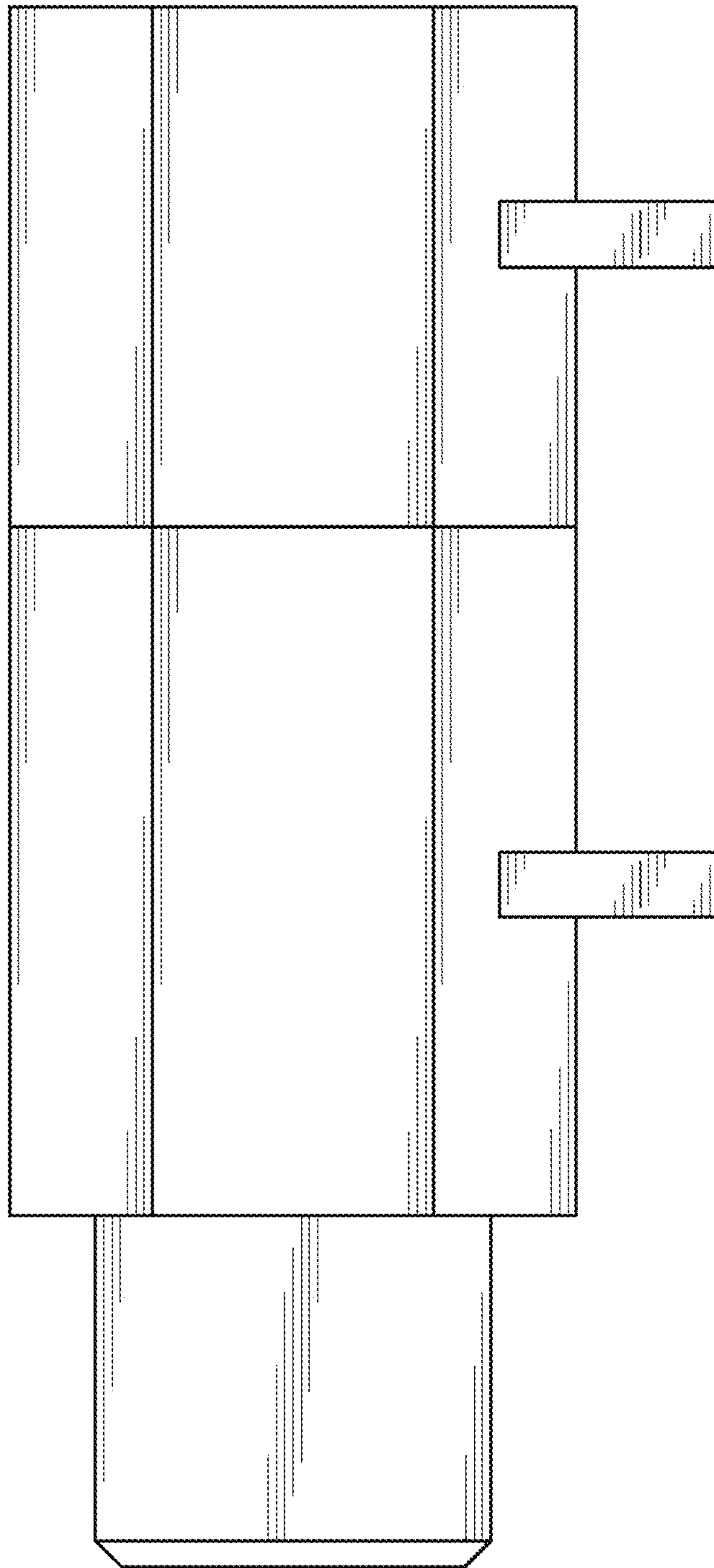


FIG. 4

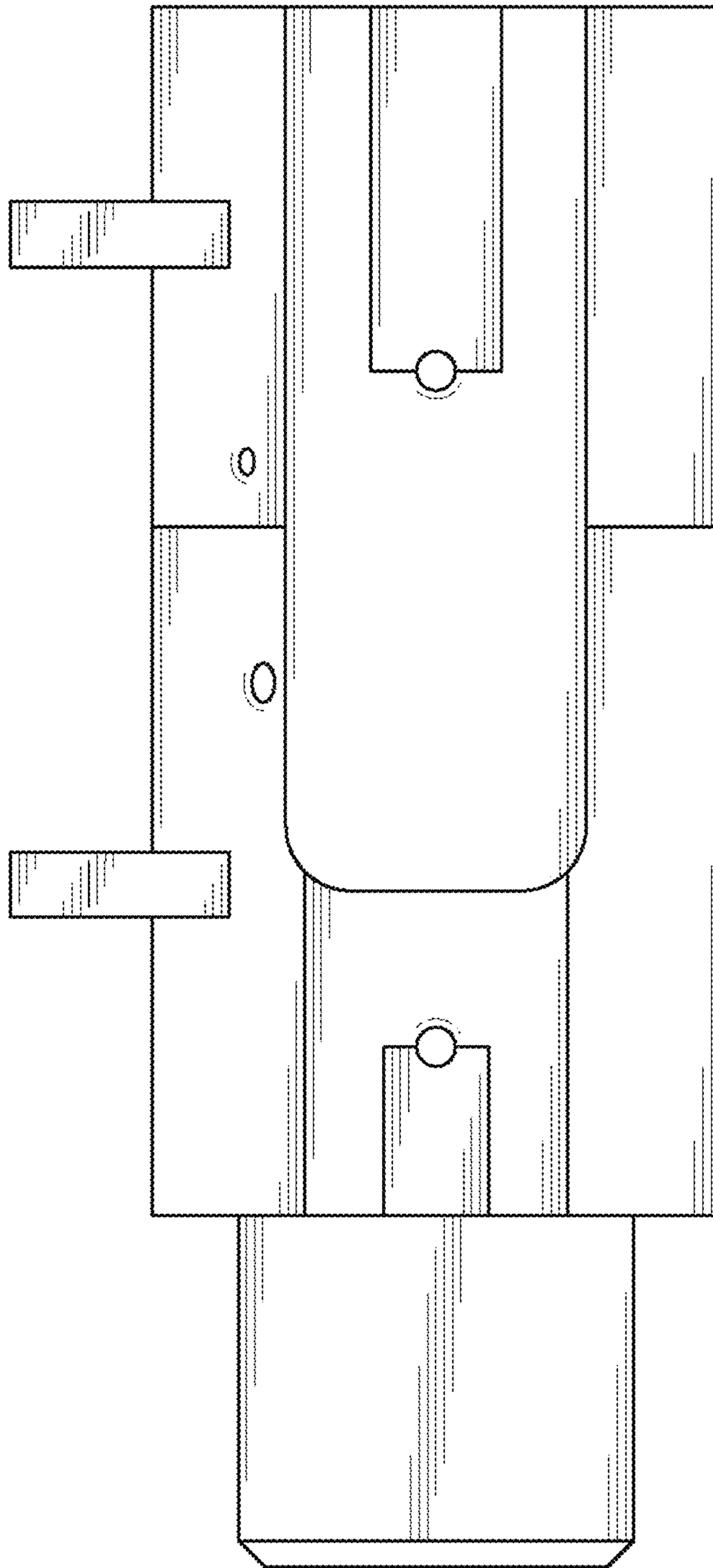


FIG. 5

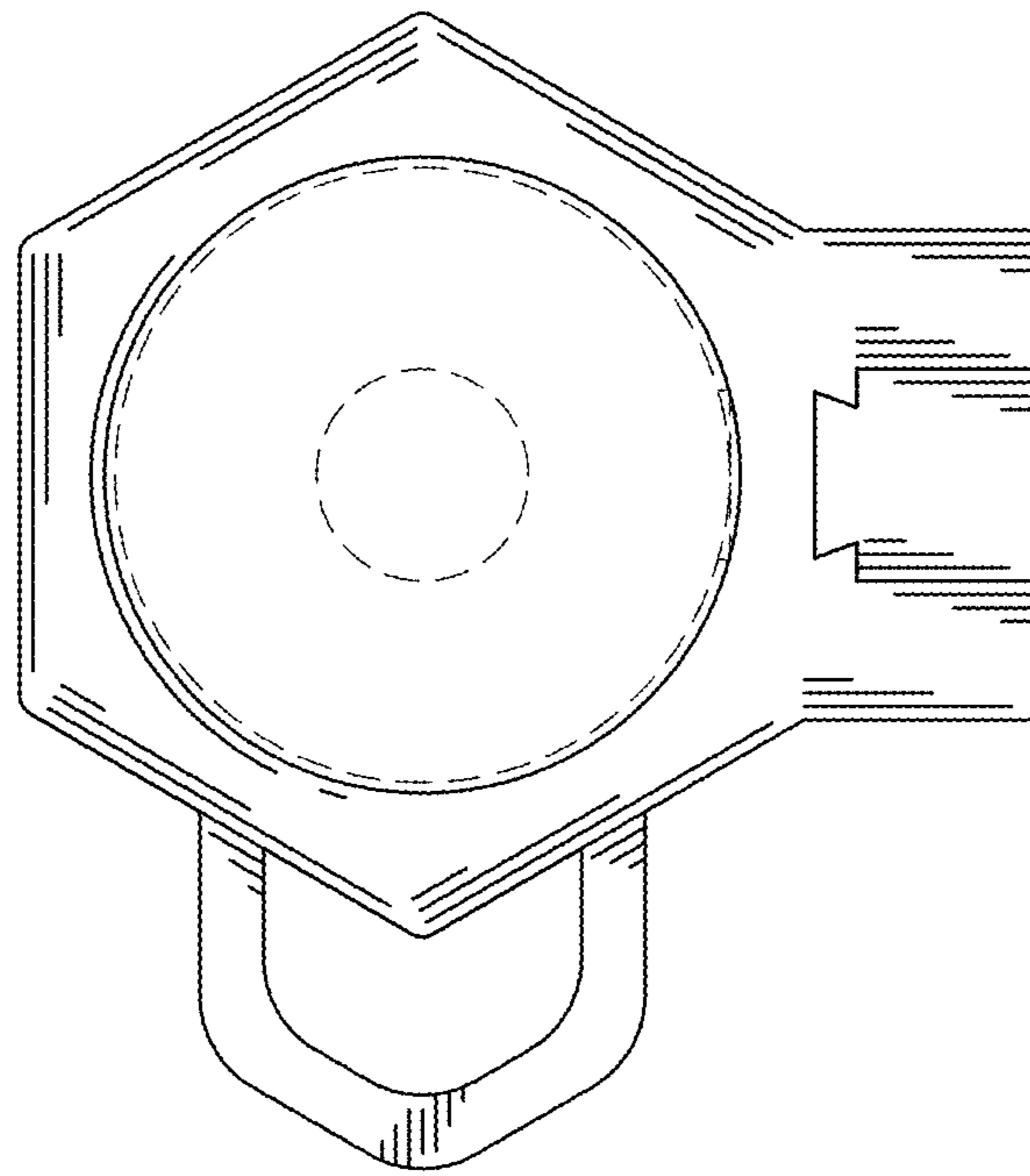


FIG. 6

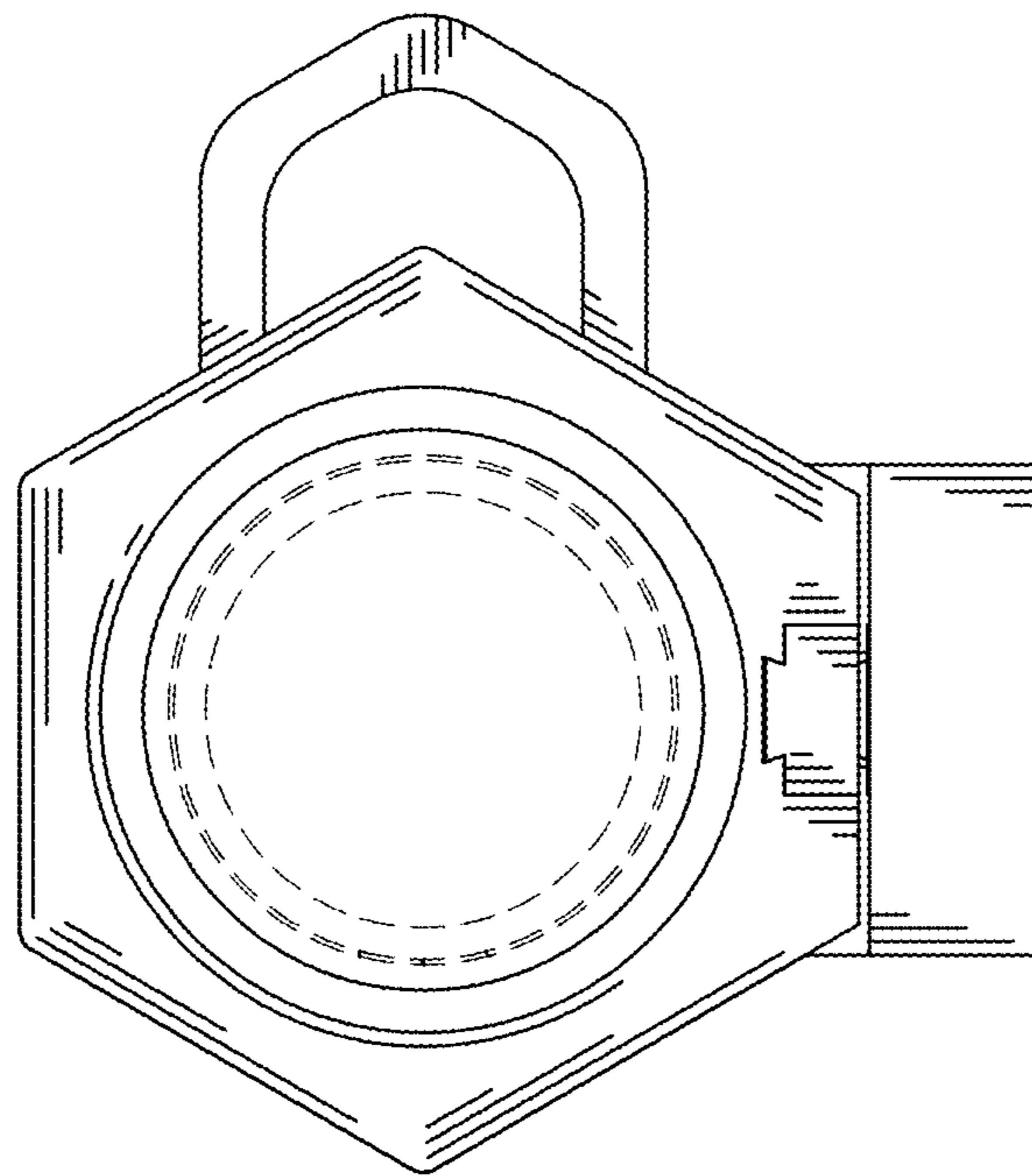


FIG. 7