



US00D889413S

(12) **United States Design Patent**
Raskin

(10) **Patent No.:** **US D889,413 S**

(45) **Date of Patent:** **** Jul. 7, 2020**

(54) **LED PORTABLE GENERATOR PANEL**

(71) Applicant: **Imperial Industrial Supply Co.,**
Ontario, CA (US)

(72) Inventor: **David Raskin,** Ontario, CA (US)

(73) Assignee: **Imperial Industrial Supply Co.,**
Ontario, CA (US)

(**) Term: **15 Years**

(21) Appl. No.: **29/674,216**

(22) Filed: **Dec. 20, 2018**

(51) **LOC (12) Cl.** **13-01**

(52) **U.S. Cl.**
USPC **D13/122**

(58) **Field of Classification Search**
USPC D13/116, 112, 113, 114, 122, 184, 199;
D15/1, 7, 199; 290/1 A, 1 B; 307/150,
307/151, 153; 322/1, 2 R
CPC F16M 3/00; F02B 2063/045; F02B
2063/046; F02B 63/04; F02B 63/048;
Y10S 62/911; G02B 6/0031
See application file for complete search history.

(56) **References Cited**

U.S. PATENT DOCUMENTS

| | | | | |
|----------------|---------|-------------|-------|-------------------------|
| D187,221 S * | 2/1960 | Laub et al. | | D10/103 |
| D275,104 S * | 8/1984 | Kuschewski | | D13/162 |
| D276,026 S * | 10/1984 | Hexamer | | D9/425 |
| 6,362,533 B1 * | 3/2002 | Morohoshi | | F02B 63/04 123/41.56 |
| D491,524 S * | 6/2004 | Imai | | D13/122 |
| D572,192 S * | 7/2008 | Zhu | | D13/122 |
| D620,436 S * | 7/2010 | Pan | | D13/122 |

D692,372 S * 10/2013 Rothschild D13/102

* cited by examiner

Primary Examiner — Derrick E Holland

(74) *Attorney, Agent, or Firm* — Fleit Intellectual
Property Law; Paul D. Bianco; Gary S. Winer

(57) **CLAIM**

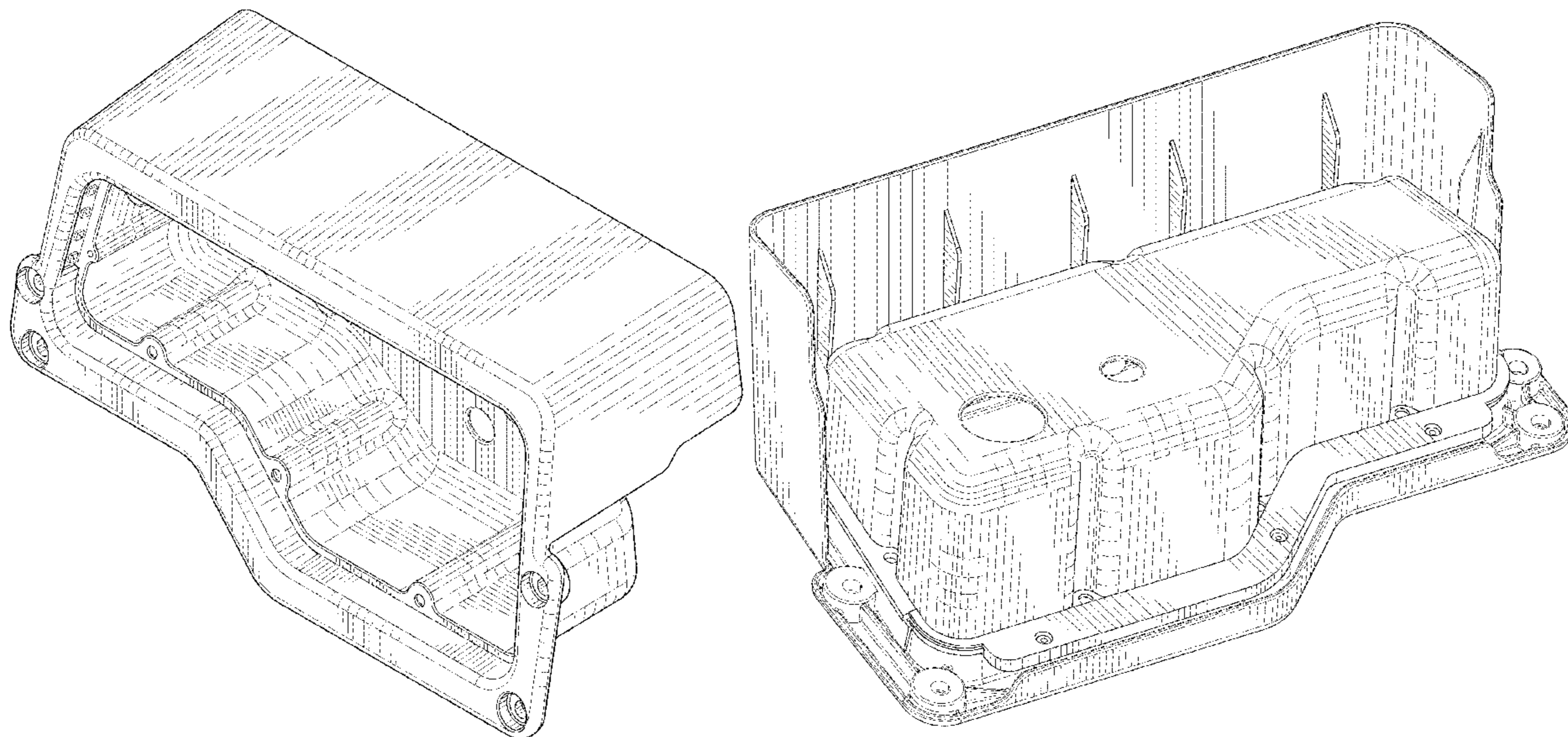
The ornamental design for an LED portable generator panel,
as shown and described.

DESCRIPTION

FIG. 1 is a front perspective view of an LED portable generator panel according to the present invention; FIG. 2 is a back perspective view of the LED portable generator panel of FIG. 1; FIG. 3 is a front view of the LED portable generator panel of FIG. 1; FIG. 4 is a back view of the LED portable generator panel of FIG. 1; FIG. 5 is a first side view of the LED portable generator panel of FIG. 1; FIG. 6 is a second side view of the LED portable generator panel of FIG. 1; FIG. 7 is a top view of the LED portable generator panel of FIG. 1; FIG. 8 is a bottom view of the LED portable generator panel of FIG. 1; FIG. 9 is another front perspective view of the LED portable generator panel of FIG. 1; and, FIG. 10 is another front perspective view of the LED portable generator panel of FIG. 1 showing controls and outlets.

The features shown in broken lines in the drawing depict environmental subject matter only and form no part of the claimed design.

1 Claim, 9 Drawing Sheets



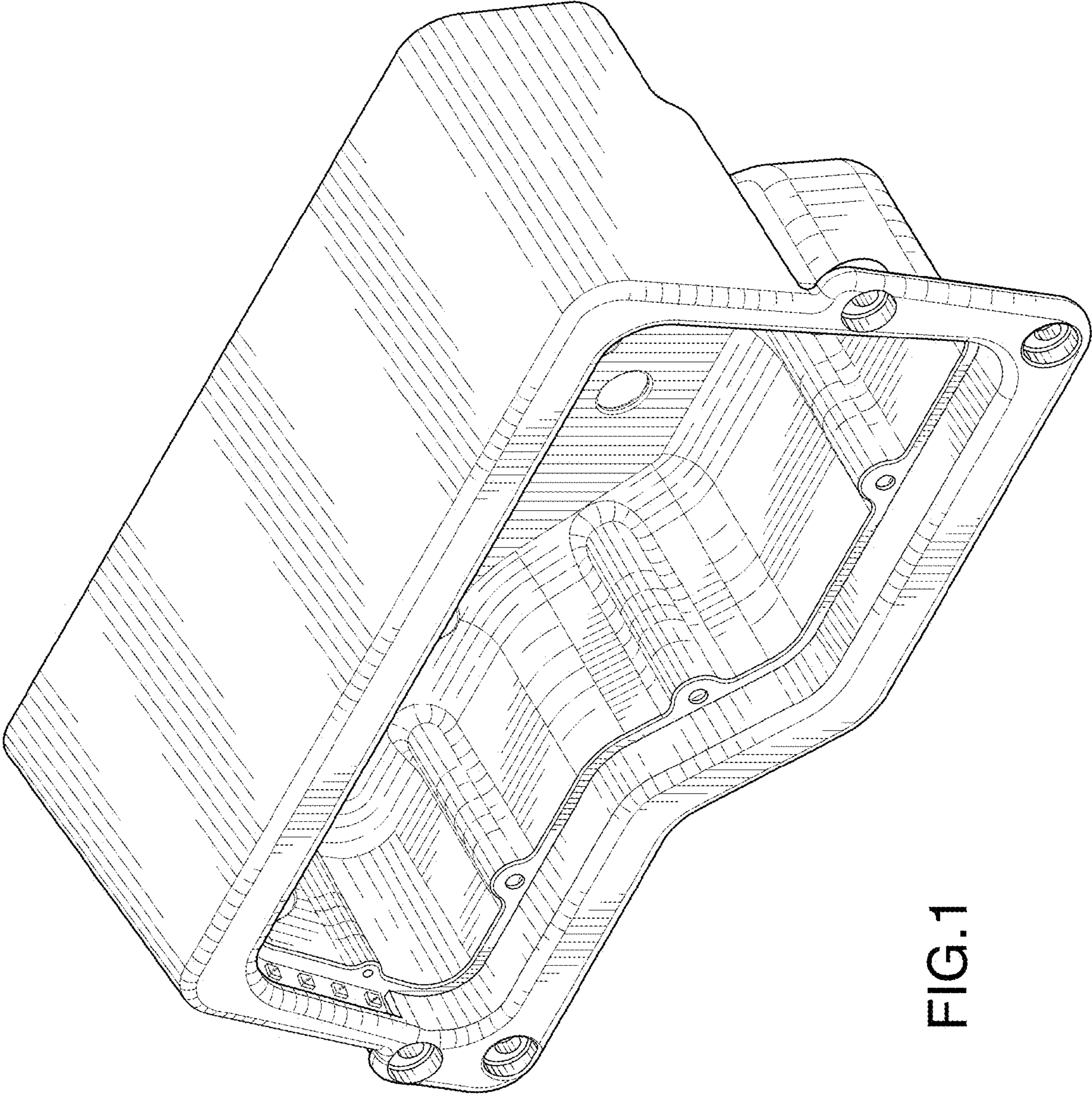


FIG.1

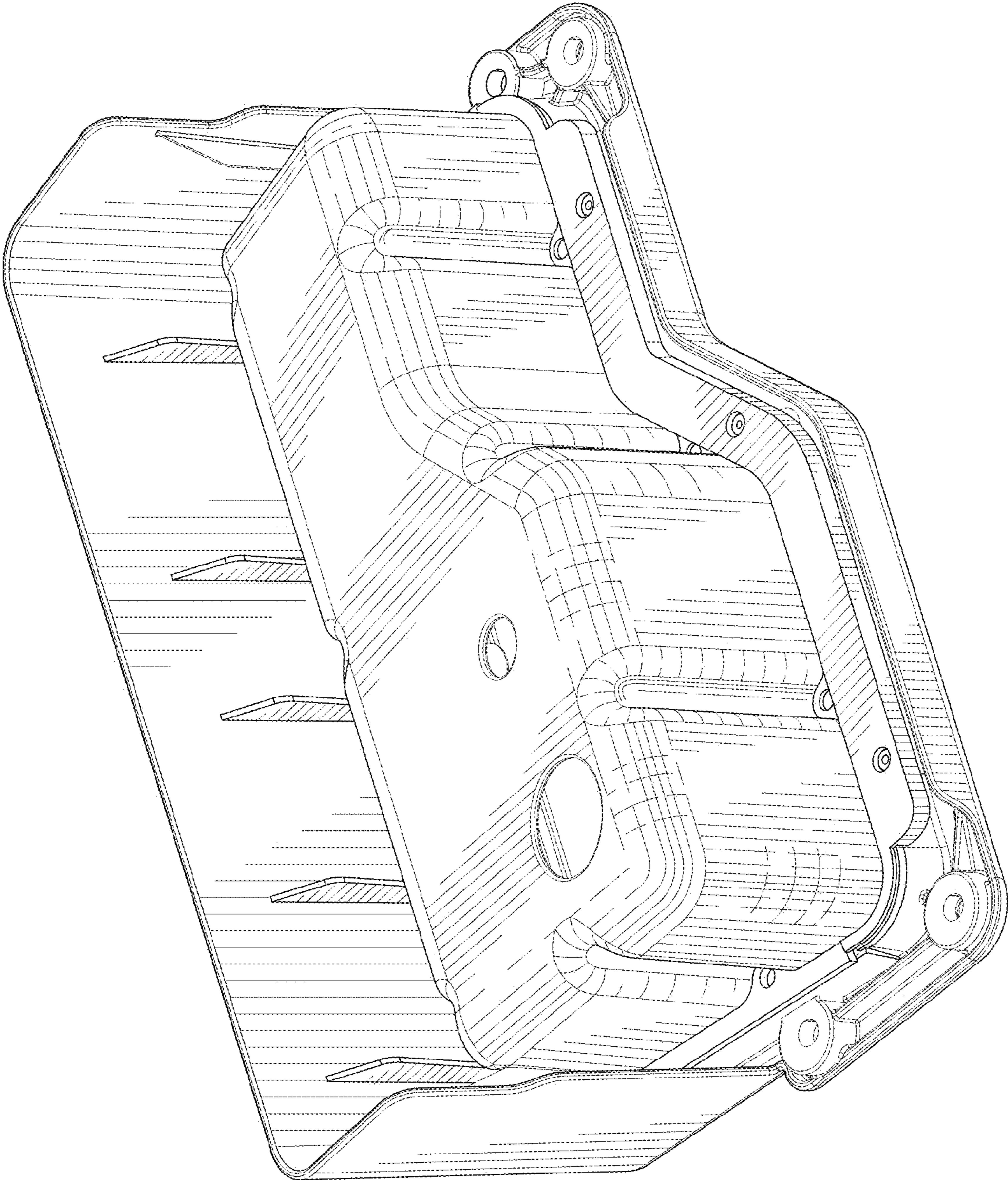


FIG.2

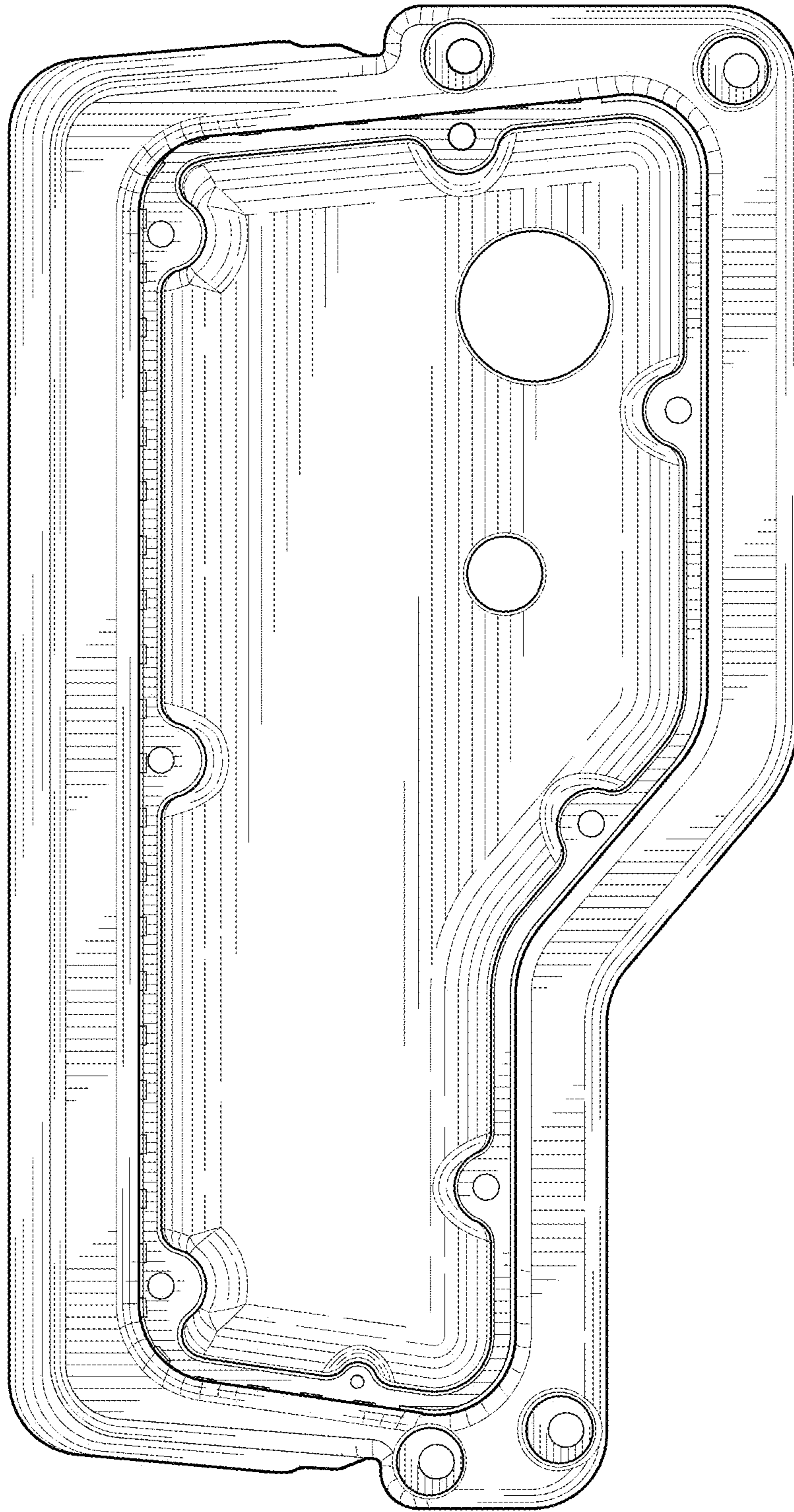


FIG.3

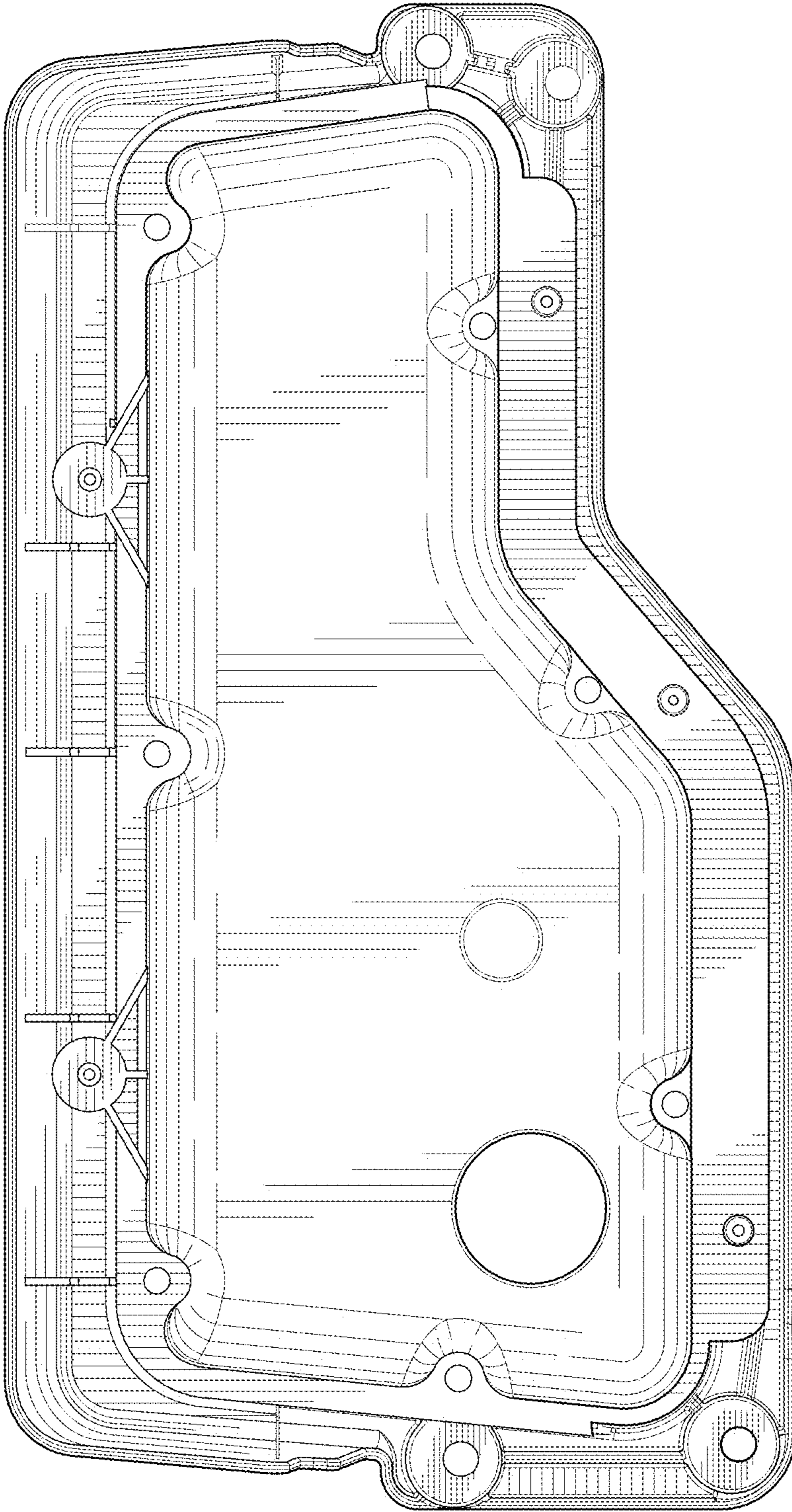


FIG.4

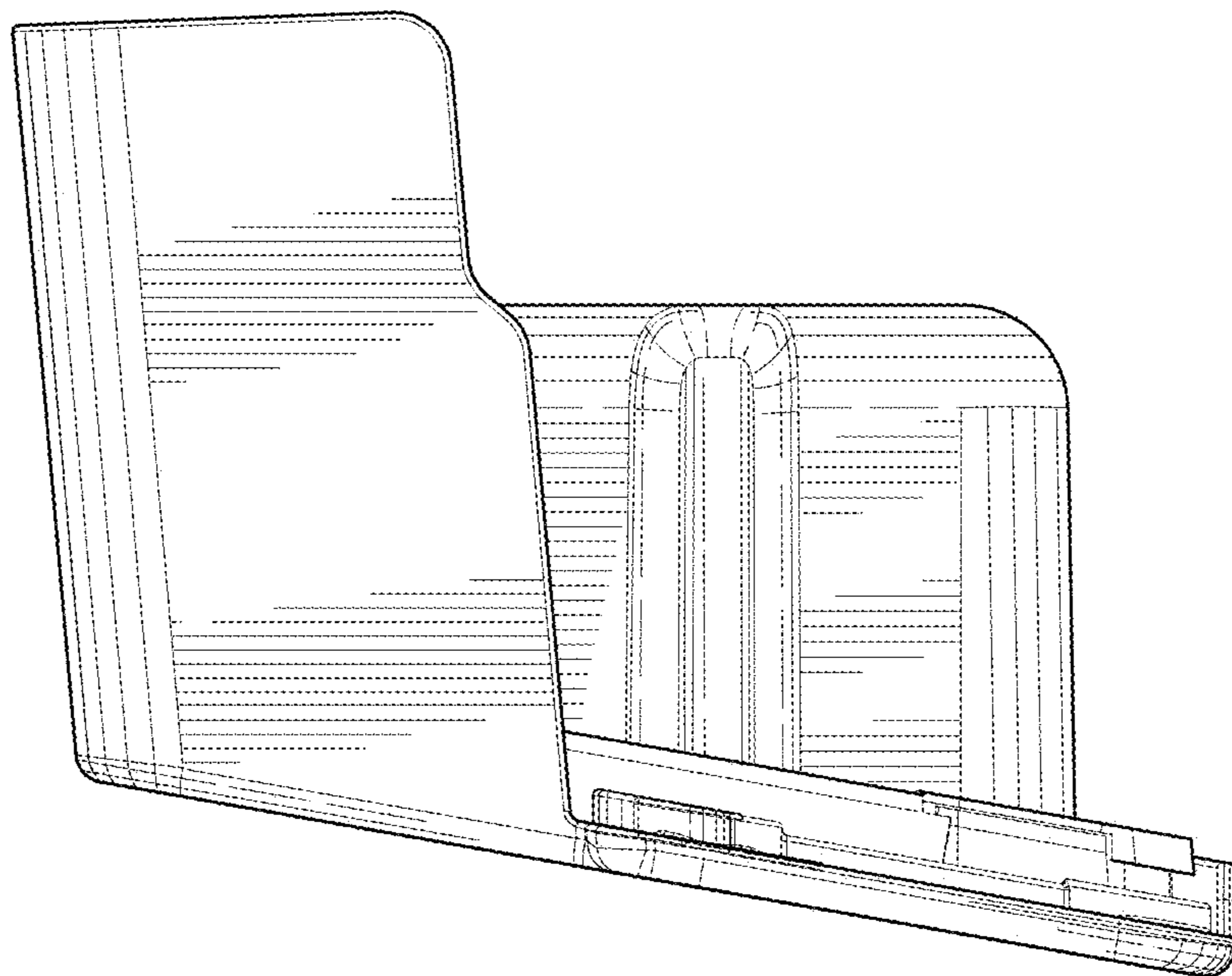


FIG. 6

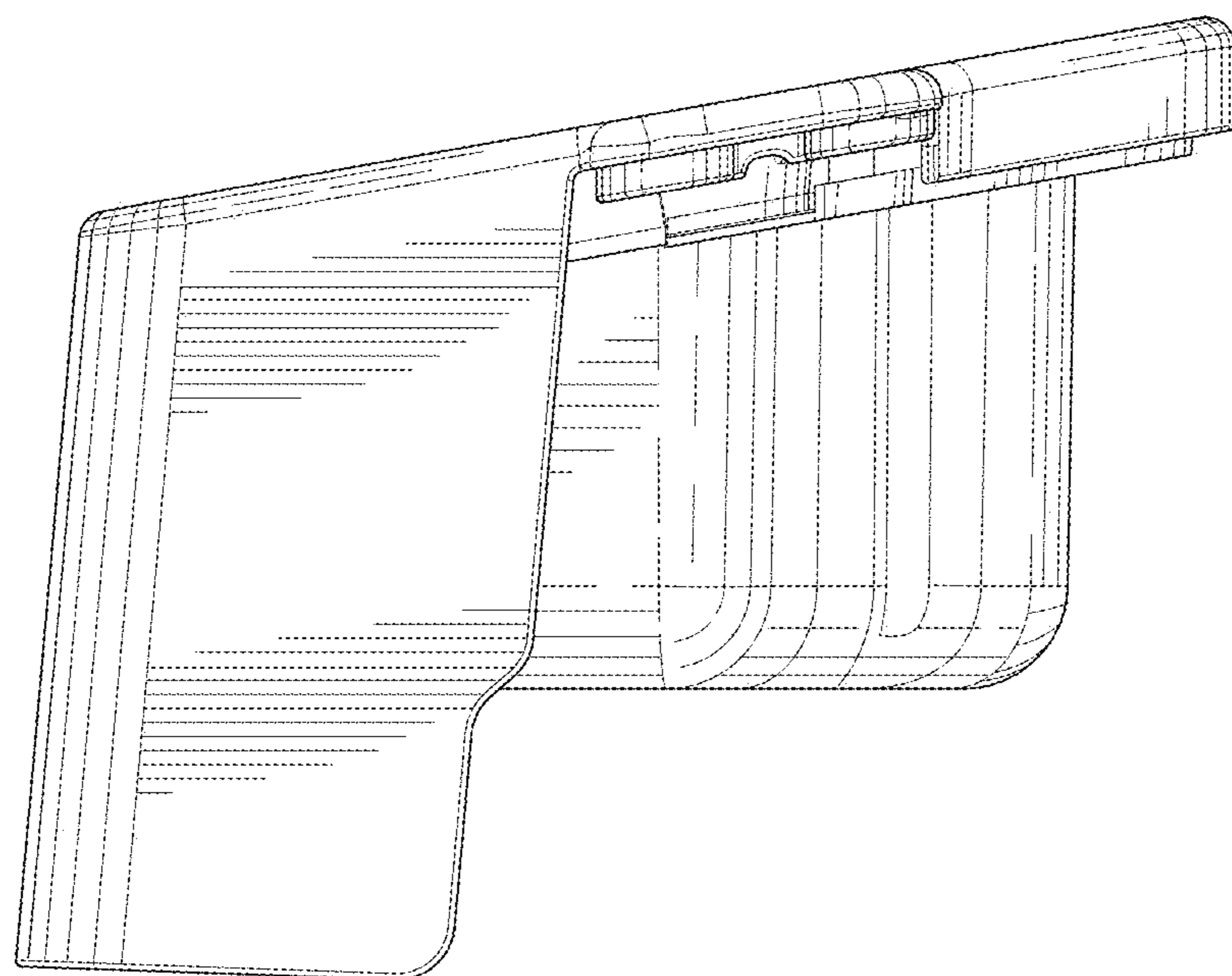


FIG. 5

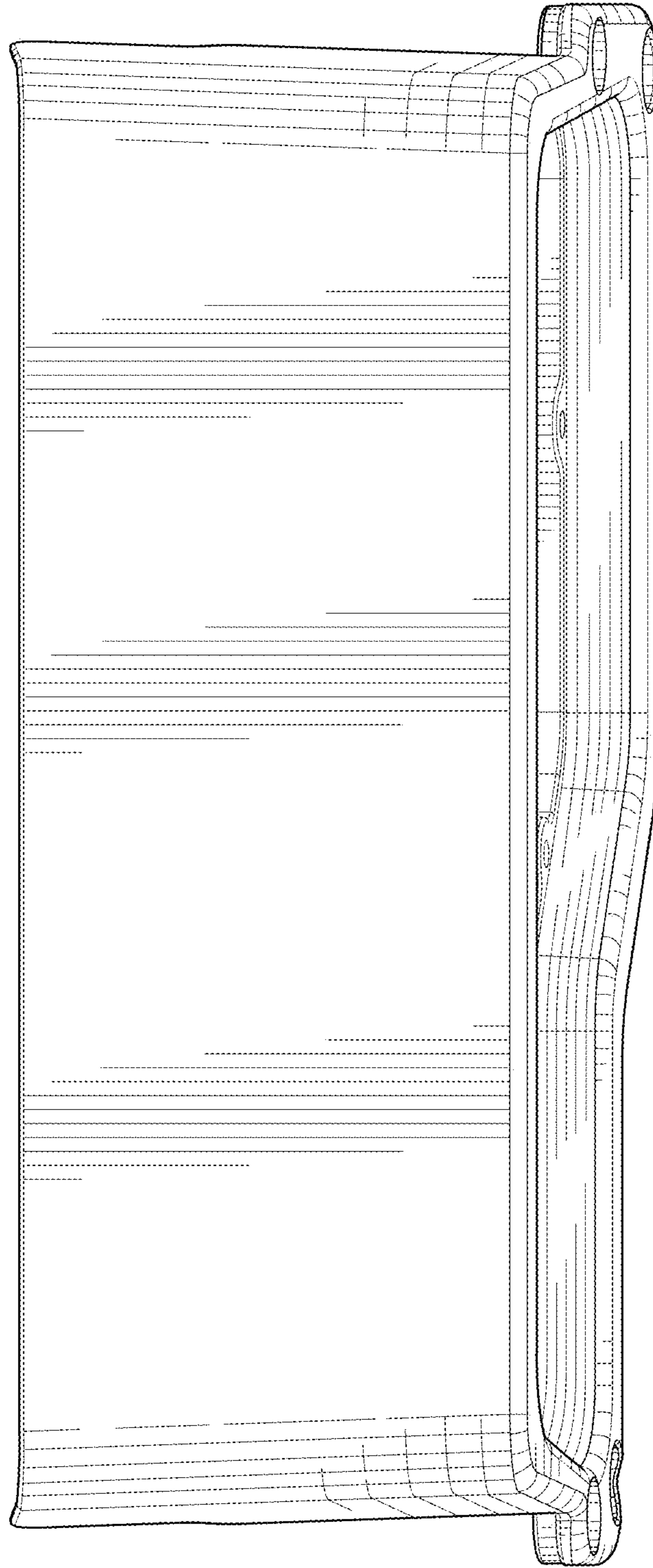


FIG. 7

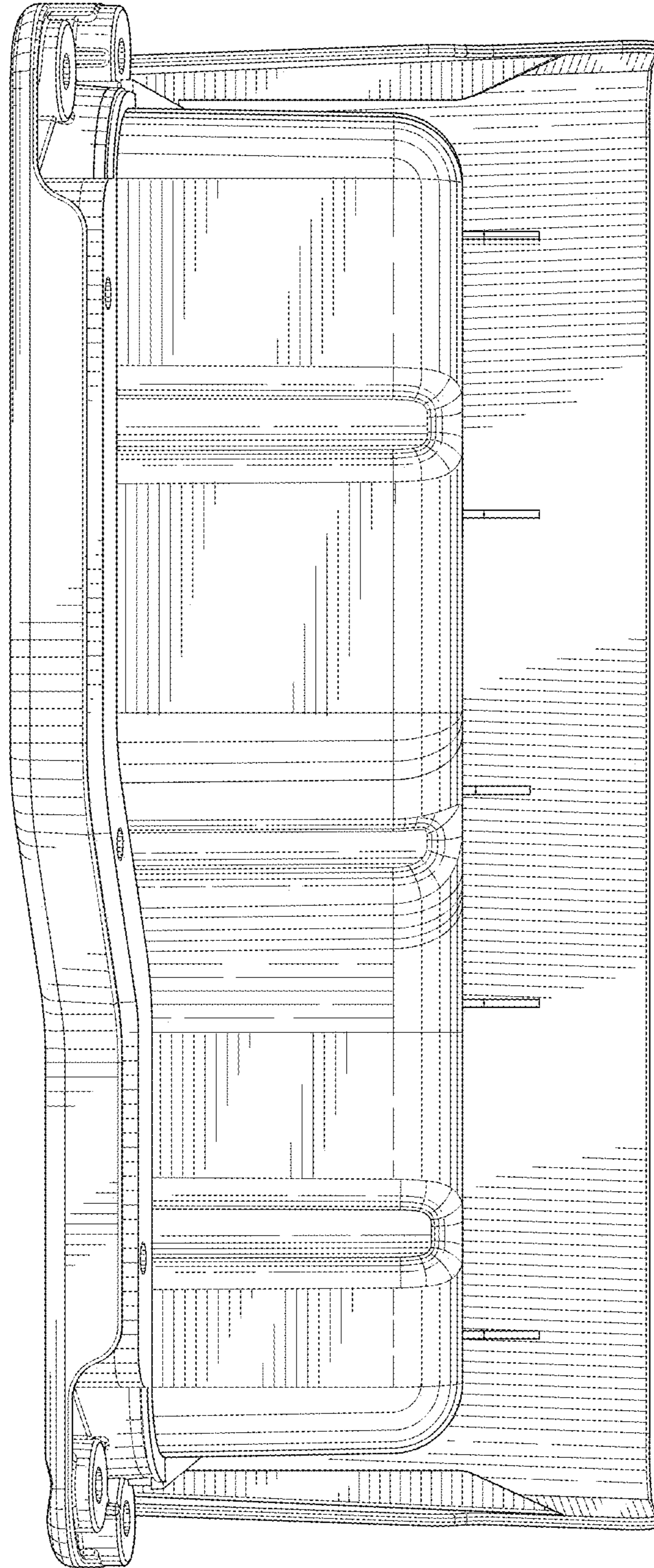


FIG.8

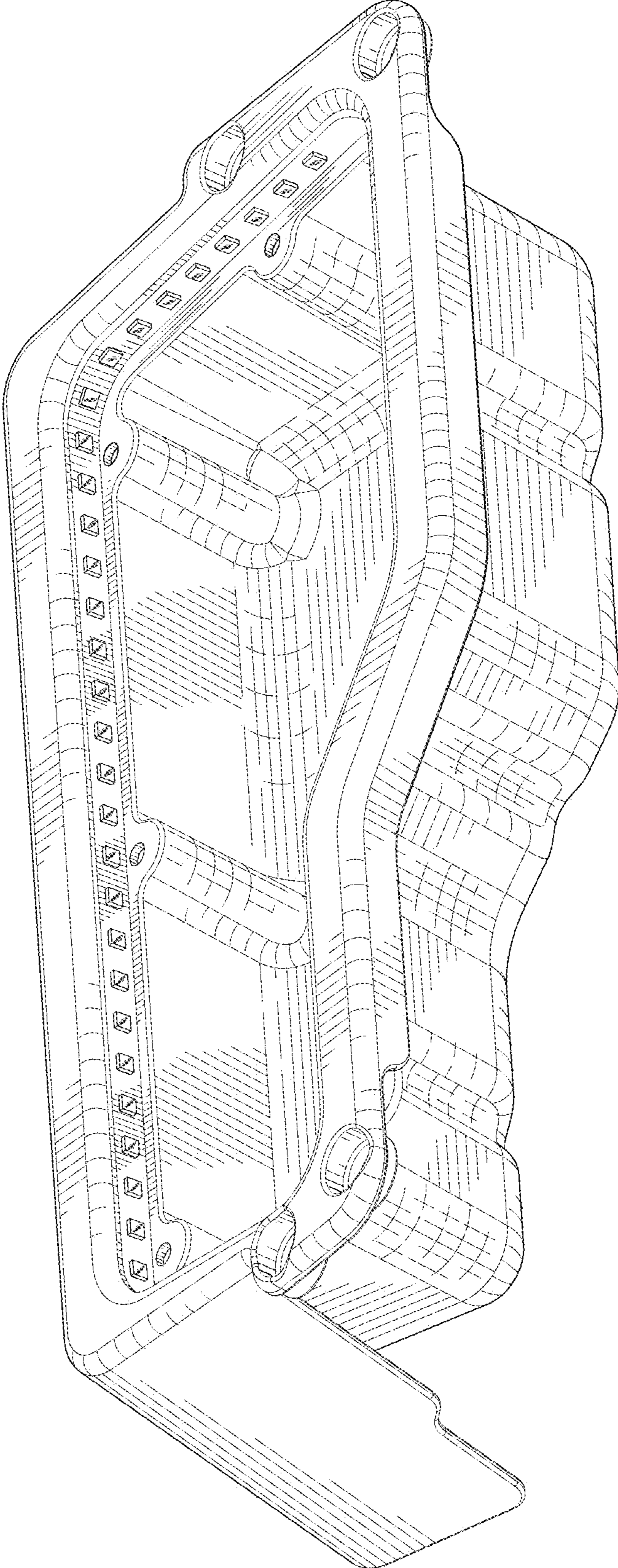


FIG.9

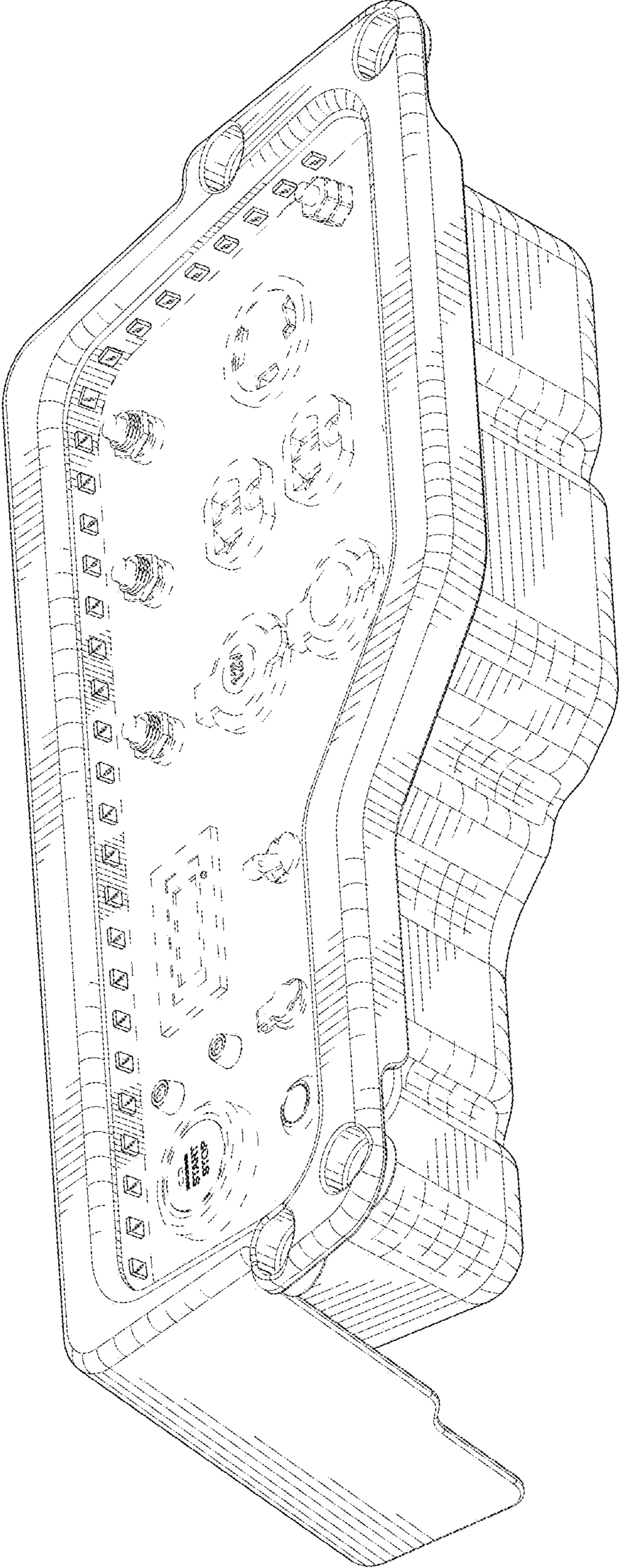


FIG.10