



US00D889412S

(12) **United States Design Patent**
Raskin

(10) **Patent No.:** **US D889,412 S**
(45) **Date of Patent:** **** Jul. 7, 2020**

- (54) **PORTABLE GENERATOR FRAME WITH PROPANE TANK CADDY**
- (71) Applicant: **Imperial Industrial Supply Co.,**
Ontario, CA (US)
- (72) Inventor: **David Raskin,** Ontario, CA (US)
- (73) Assignee: **Imperial Industrial Supply Co.,**
Ontario, CA (US)
- (**) Term: **15 Years**
- (21) Appl. No.: **29/668,997**
- (22) Filed: **Nov. 5, 2018**
- (51) **LOC (12) Cl.** **13-01**
- (52) **U.S. Cl.**
USPC **D13/122**
- (58) **Field of Classification Search**
USPC D13/101, 102, 103, 107, 109, 112, 113,
D13/114, 116, 119, 122, 184, 199
CPC H01M 10/44; H01M 10/46; H01M 10/425;
Y02B 10/12; Y02B 10/20; Y02B 10/24;
H02J 7/34; H02J 7/35; H02J 7/42; H02J
7/44; H02J 7/54; H02J 7/0003; Y02T
90/122; Y02T 90/128; Y02T 90/163;
B62B 1/008; F02B 63/044; F02B
2063/045
See application file for complete search history.

- D580,860 S * 11/2008 Xi-Ren D13/122
- D617,269 S * 6/2010 van Deursen D13/116
- D641,768 S * 7/2011 Bender D15/144
- D675,984 S * 2/2013 Shokrzadeh D13/122
- 8,841,582 B2* 9/2014 Bender B23K 9/1006
219/133

* cited by examiner

Primary Examiner — Derrick E Holland
(74) *Attorney, Agent, or Firm* — Fleit Intellectual
Property Law; Paul D. Bianco; Gary S. Winer

(57) **CLAIM**

The ornamental design for a portable generator frame with propane tank caddy, as shown and described.

DESCRIPTION

FIG. 1 is a top perspective view of a portable generator frame with propane tank caddy according to the present invention;

FIG. 2 is a front view of the portable generator frame with propane tank caddy of FIG. 1;

FIG. 3 is a back view of the portable generator frame with propane tank caddy of FIG. 1;

FIG. 4 is a first side view of the portable generator frame with propane tank caddy of FIG. 1;

FIG. 5 is a second side view of the portable generator frame with propane tank caddy of FIG. 1;

FIG. 6 is a top view of the portable generator frame with propane tank caddy of FIG. 1;

FIG. 7 is a bottom view of the portable generator frame with propane tank caddy of FIG. 1; and,

FIG. 8 is a top perspective view of the portable generator frame with propane tank caddy of FIG. 1 with two propane tanks on the caddy.

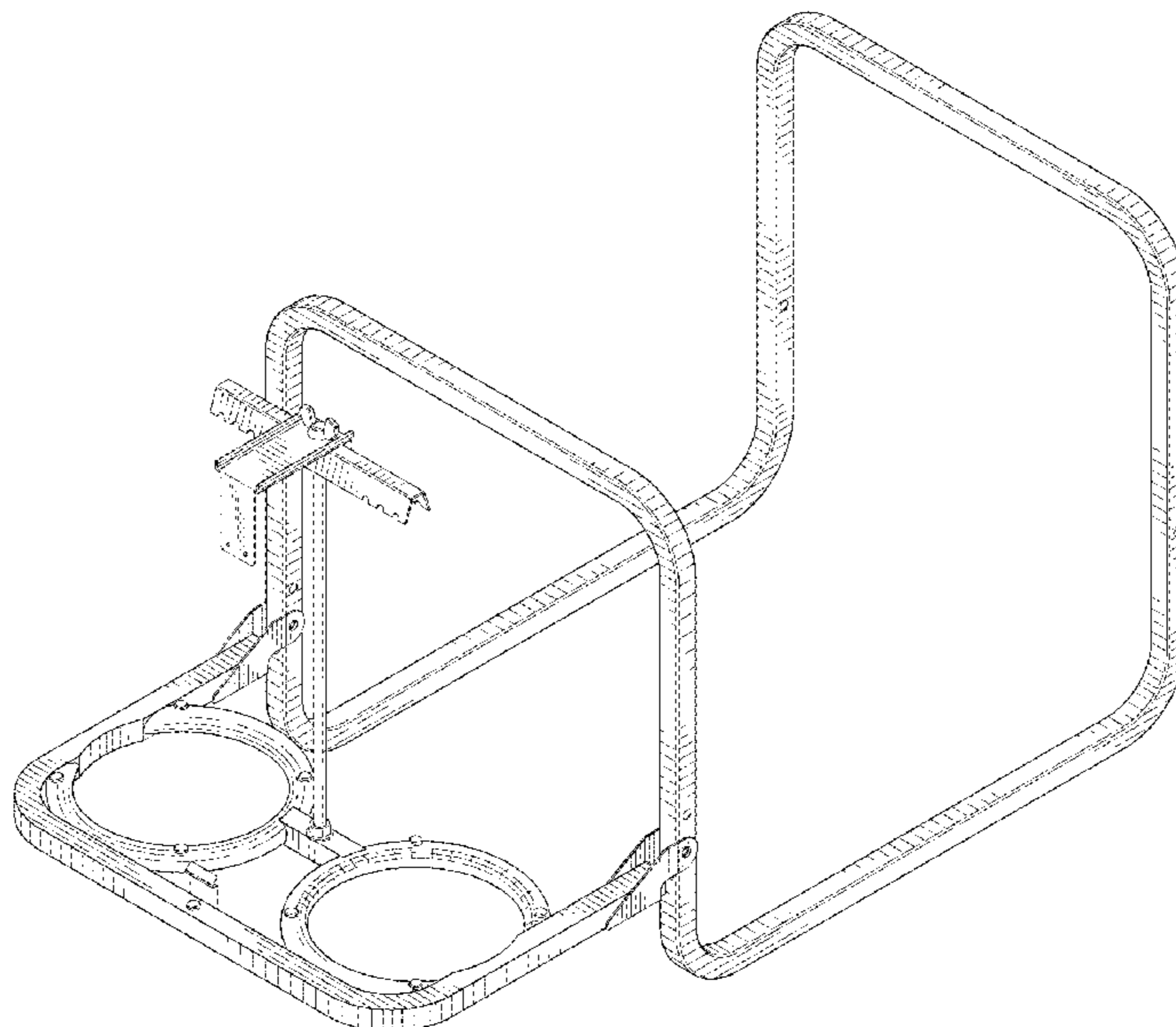
The features shown in broken lines in the drawing depict environmental subject matter only and form no part of the claimed design.

(56) **References Cited**

U.S. PATENT DOCUMENTS

- 4,503,812 A * 3/1985 Eberhardt F02M 31/125
123/142.5 E
- D484,565 S * 12/2003 Ariaz D23/200
- D501,182 S * 1/2005 Buck D13/110
- 7,161,253 B2* 1/2007 Sodemann F02N 11/12
290/1 A
- D563,320 S * 3/2008 Buck D13/116

1 Claim, 8 Drawing Sheets



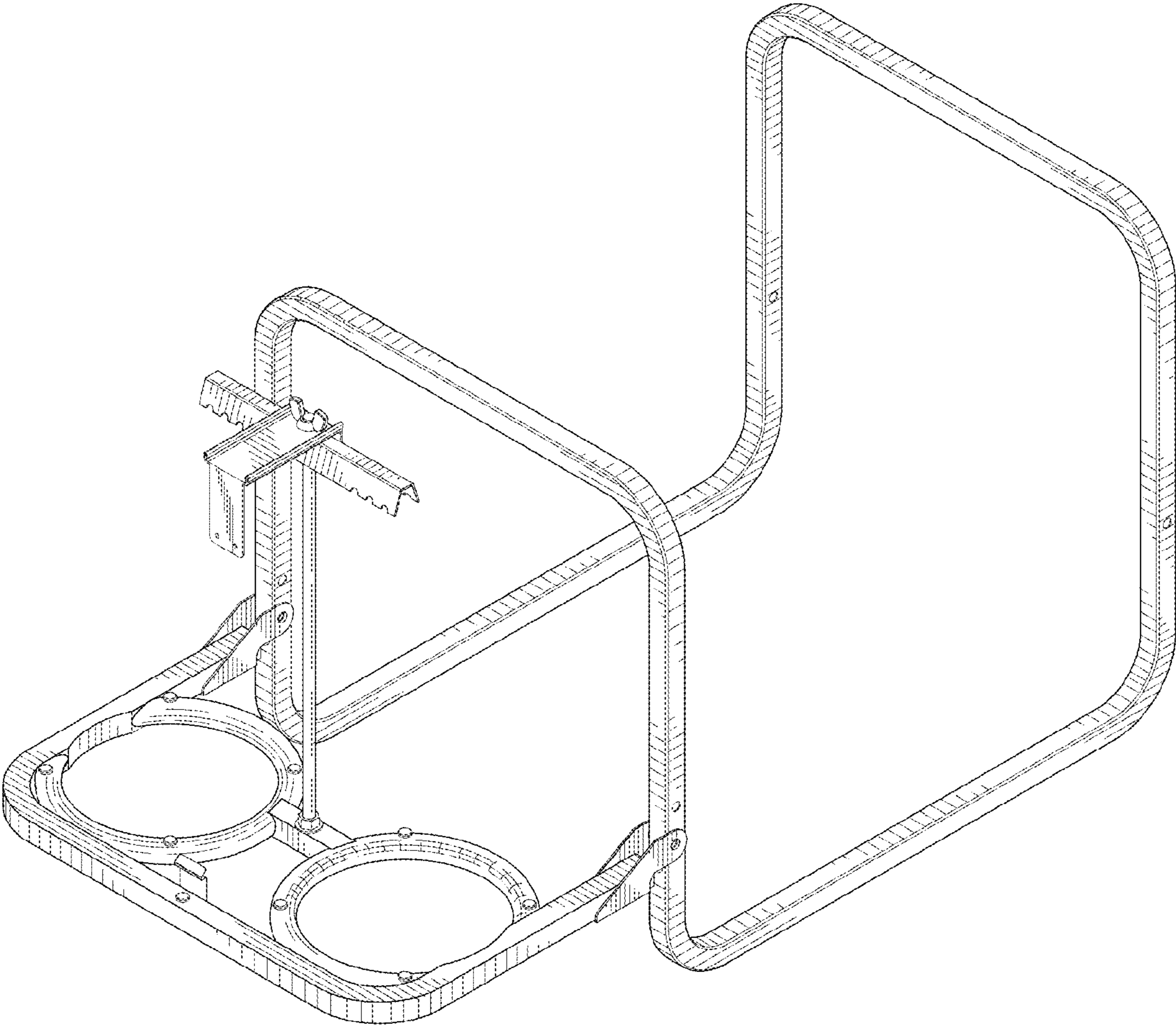


FIG.1

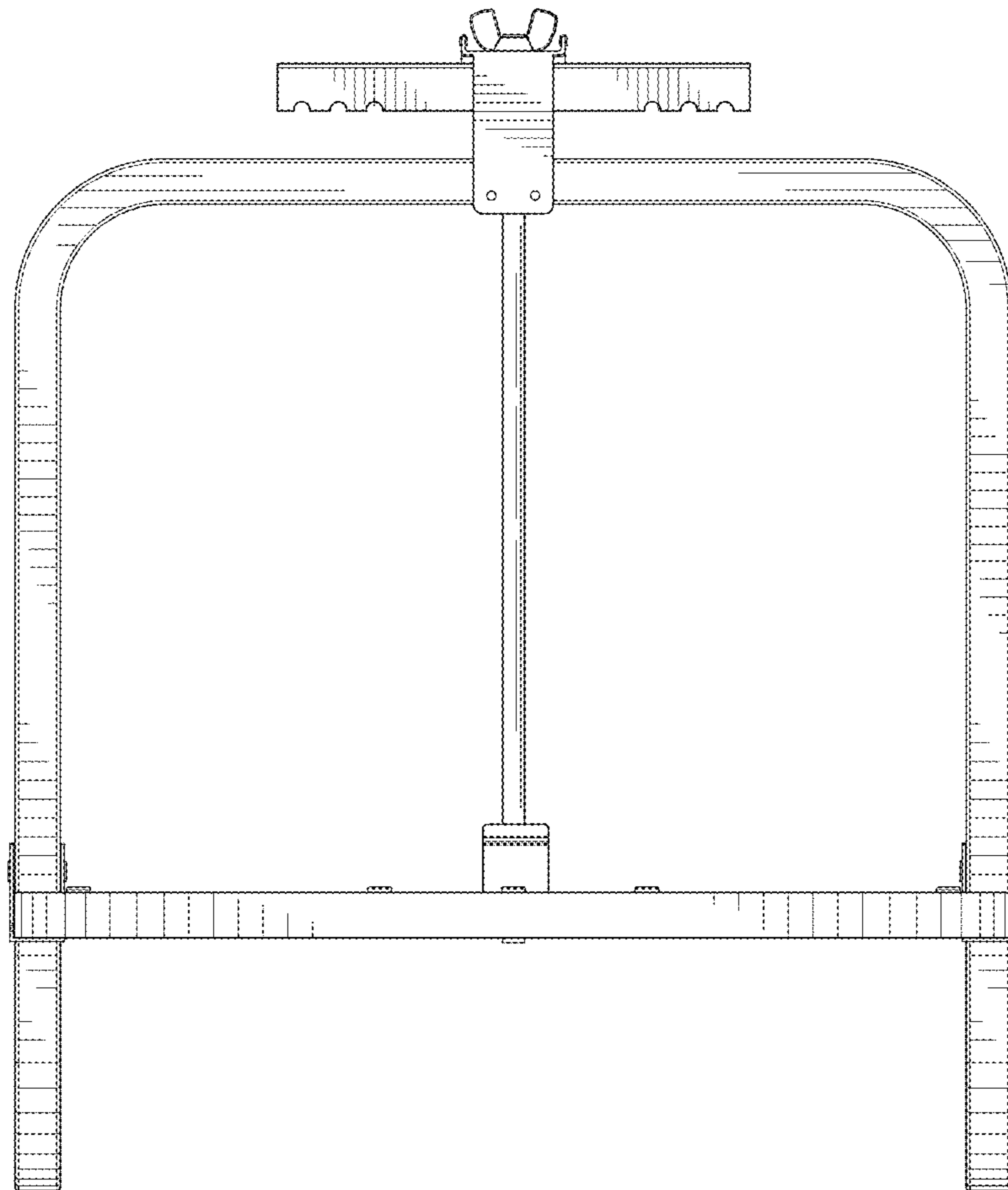


FIG.2

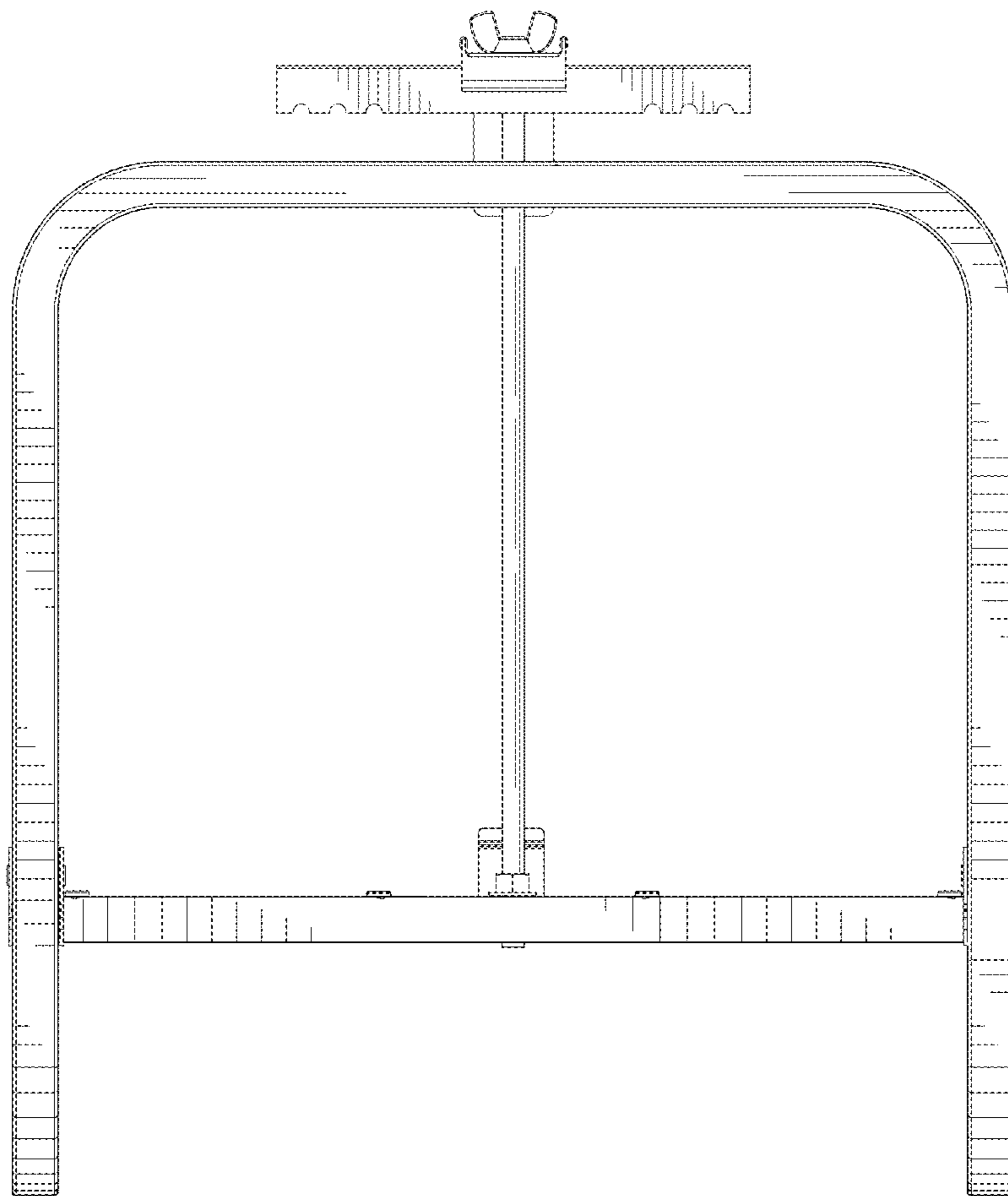


FIG.3

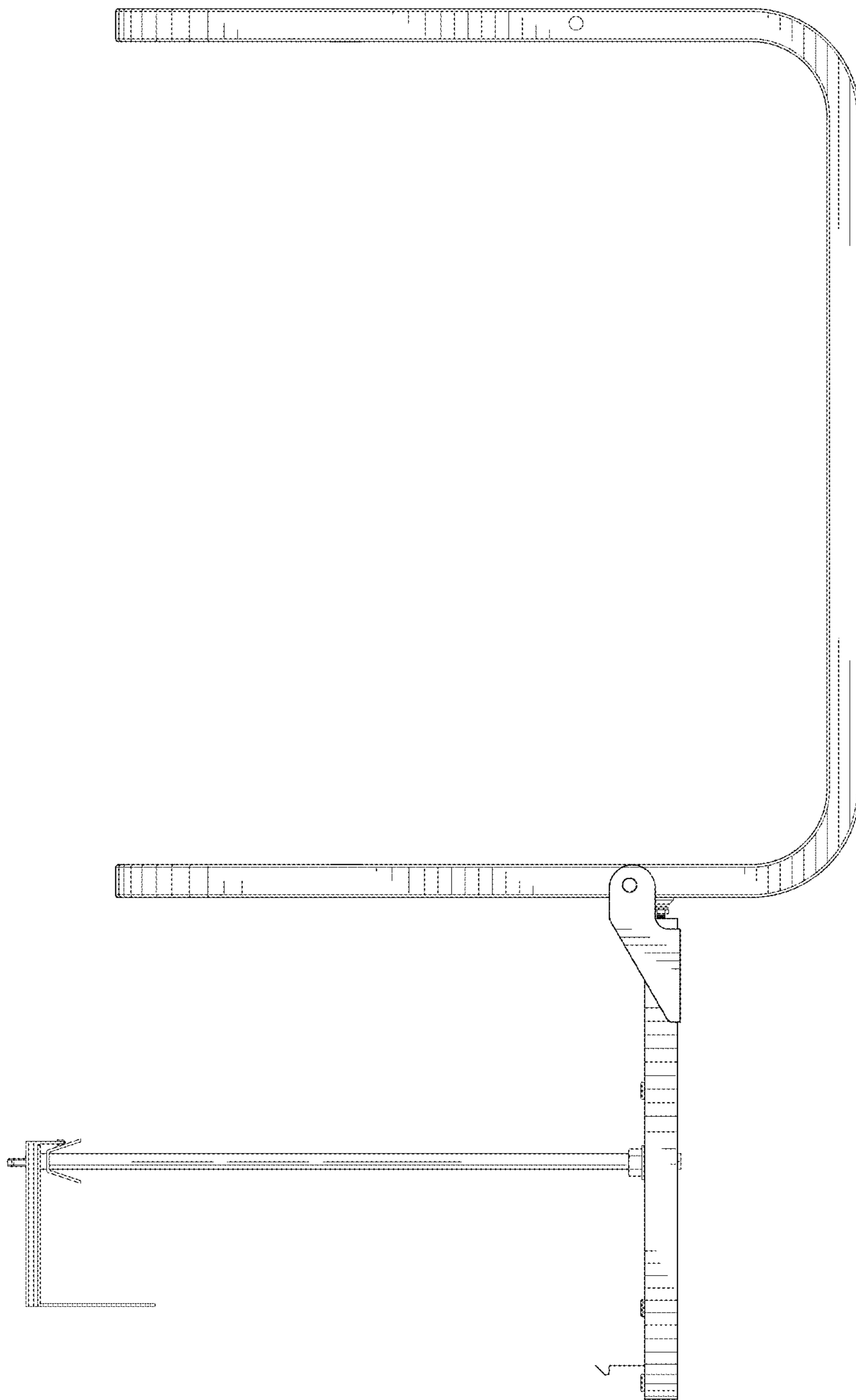


FIG.4

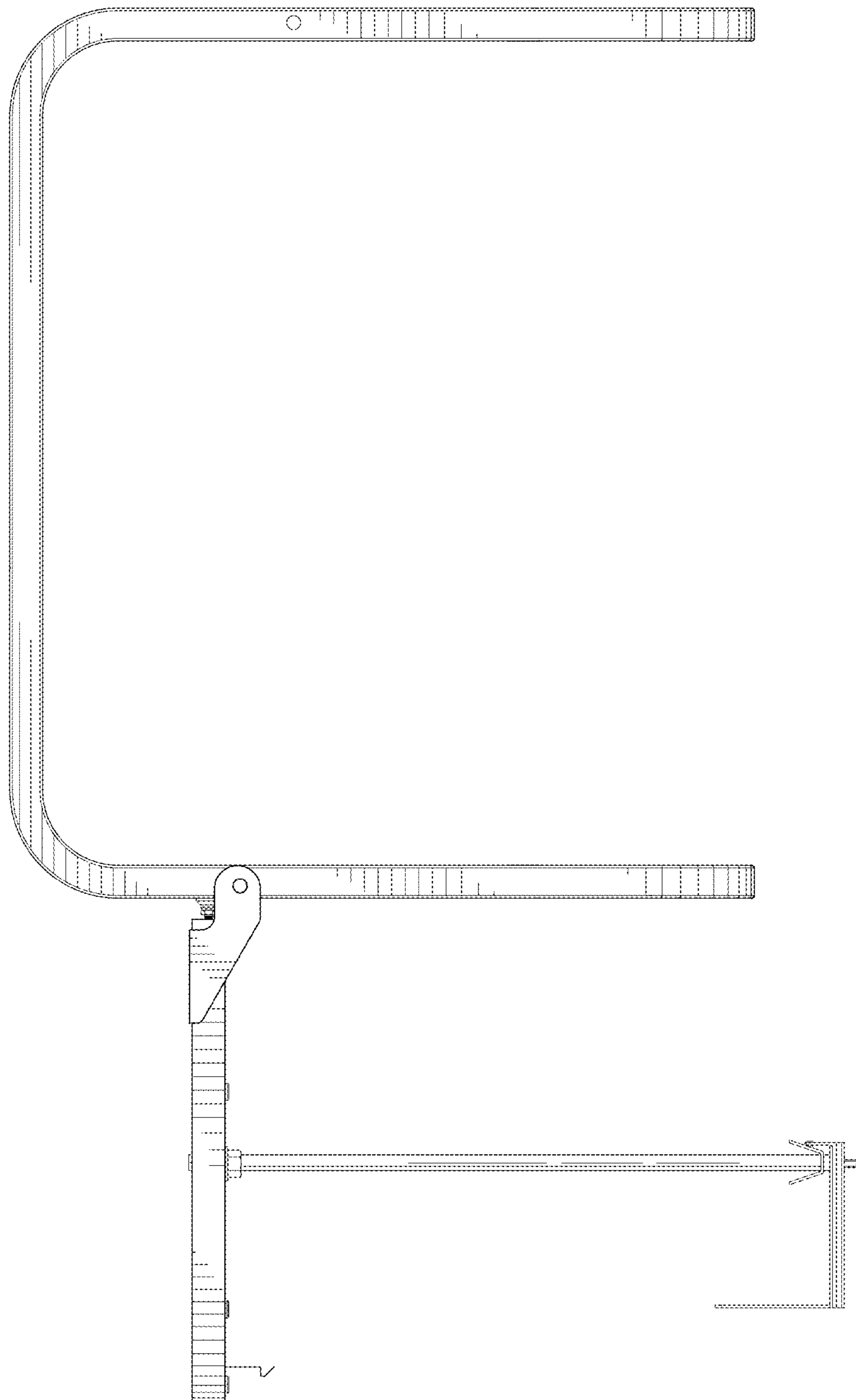


FIG.5

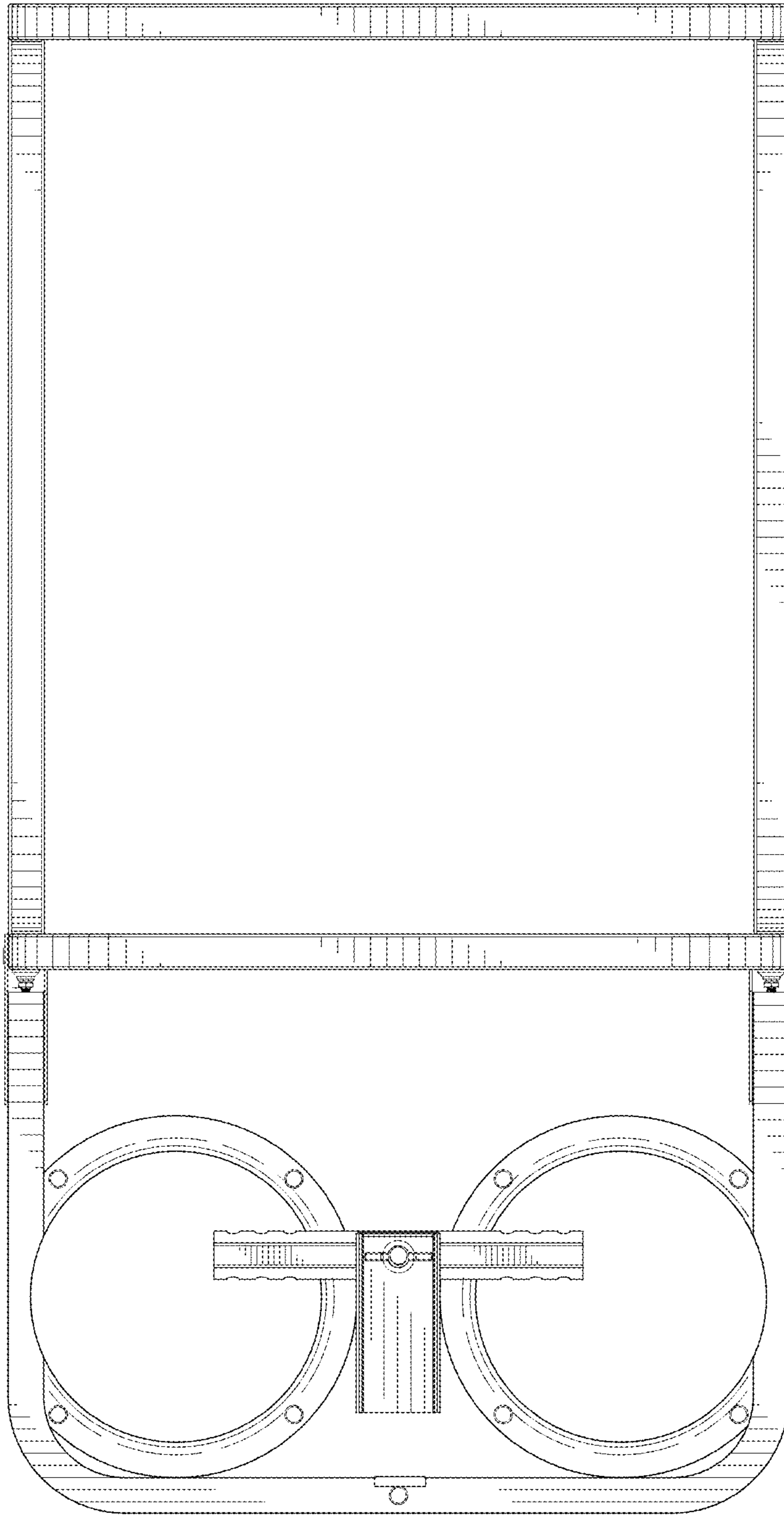


FIG.6

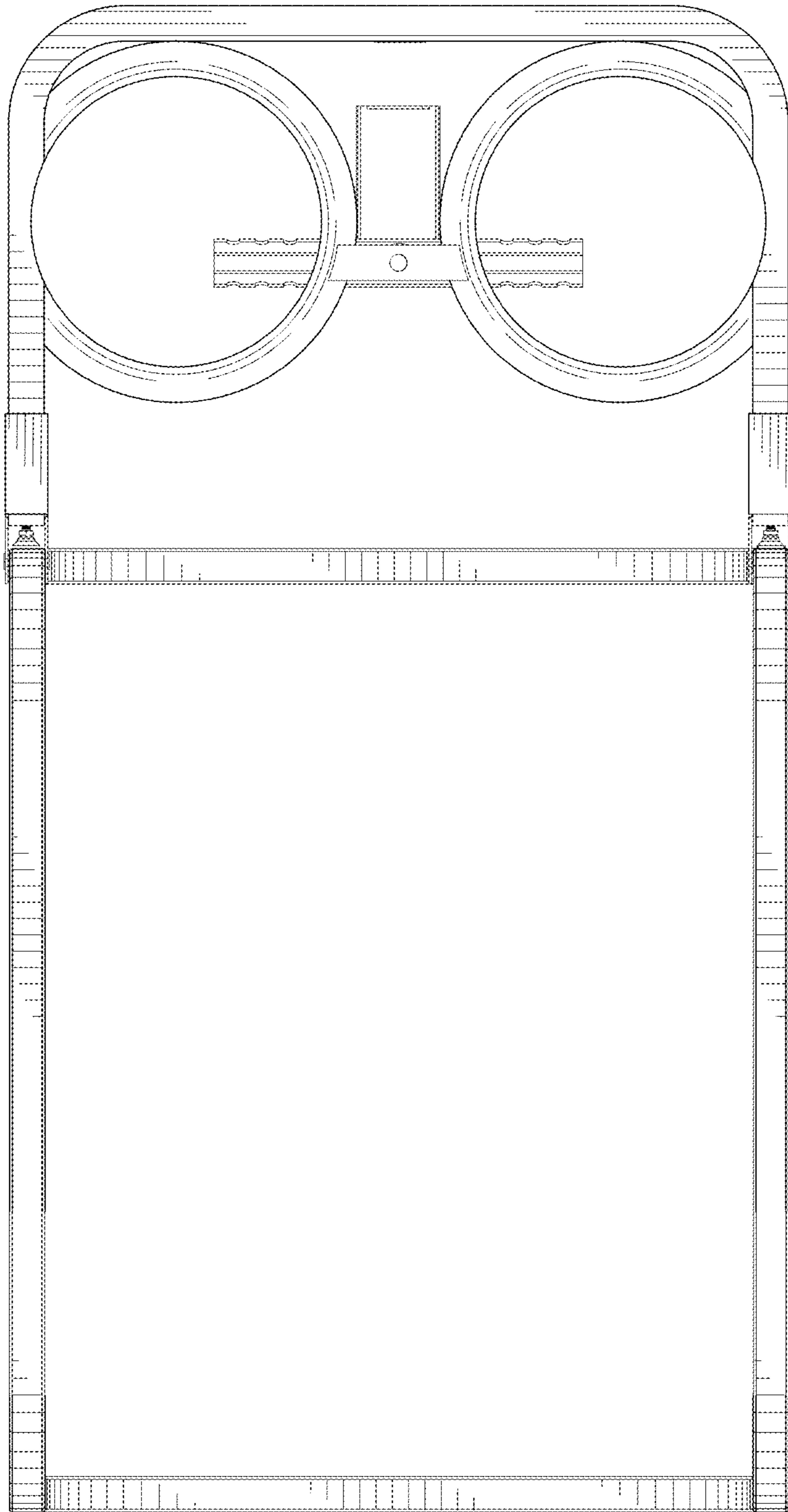


FIG.7

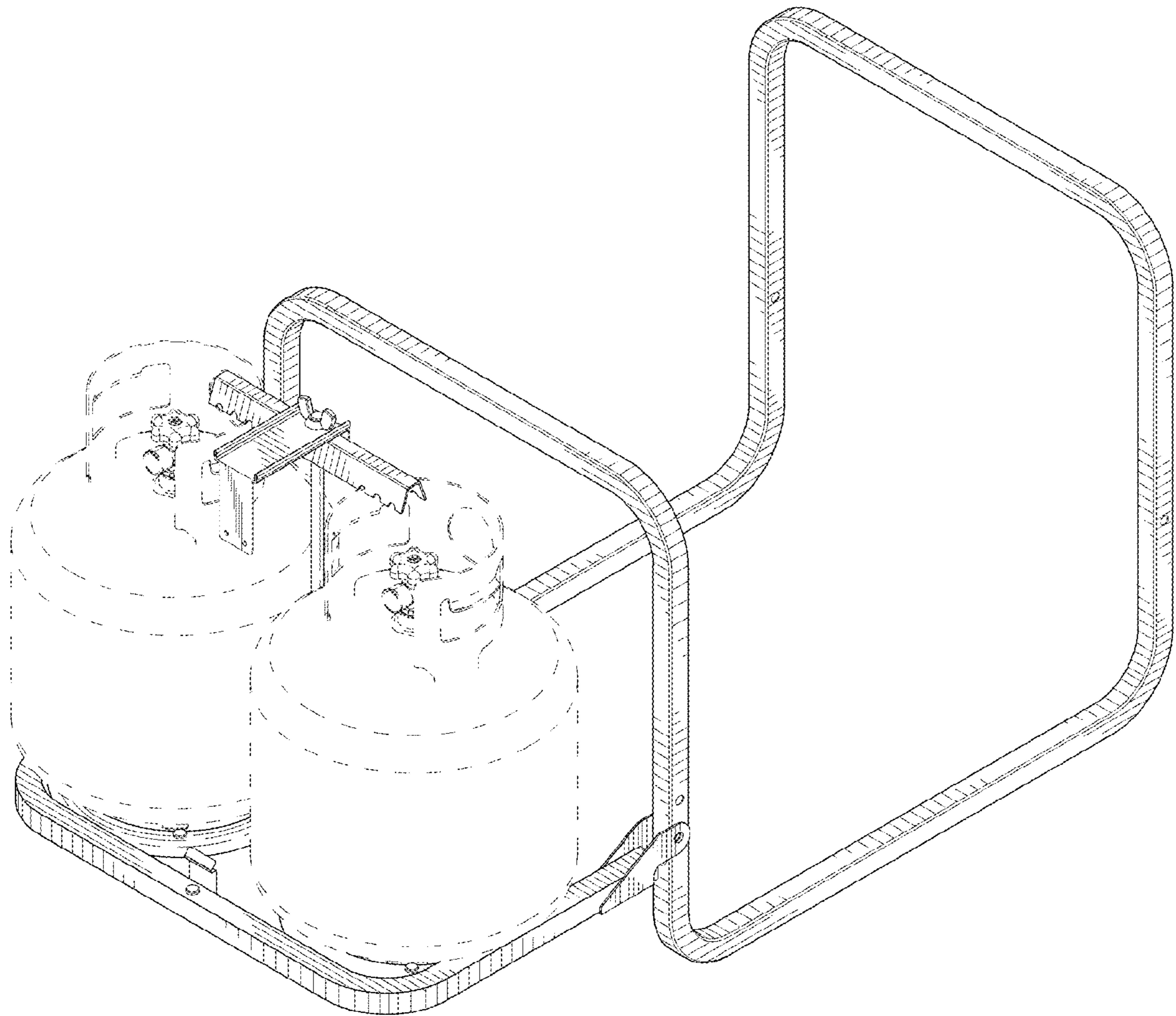


FIG.8