



US00D889411S

(12) **United States Design Patent** (10) **Patent No.:** **US D889,411 S**  
**Wang** (45) **Date of Patent:** **\*\* Jul. 7, 2020**

(54) **BATTERY CLAMP**  
(71) Applicant: **Yuhua Wang**, Beijing (CN)  
(72) Inventor: **Yuhua Wang**, Beijing (CN)  
(\*\*) Term: **15 Years**

6,632,103 B1 \* 10/2003 Liu ..... H02J 7/0034  
320/105  
D571,179 S \* 6/2008 Ahlgren ..... D8/395  
D625,265 S \* 10/2010 DuMelle ..... D13/120  
D689,020 S \* 9/2013 Demirjian ..... D13/120  
D726,109 S \* 4/2015 Nook ..... D13/120  
D738,307 S \* 9/2015 Nook ..... D13/120  
D738,825 S \* 9/2015 Nook ..... D13/120

\* cited by examiner

(21) Appl. No.: **29/623,418**  
(22) Filed: **Oct. 25, 2017**

*Primary Examiner* — Derrick E Holland  
*Assistant Examiner* — Jennifer O King  
(74) *Attorney, Agent, or Firm* — Li & Cai Intellectual  
Property (USA) Office

(30) **Foreign Application Priority Data**

May 3, 2017 (CN) ..... 2017 3 0157056

(51) **LOC (12) Cl.** ..... **13-03**  
(52) **U.S. Cl.**  
USPC ..... **D13/120**

(58) **Field of Classification Search**  
USPC ..... D13/102–106, 110, 119–121, 184, 199;  
429/163, 176; 439/504; D8/395  
CPC ..... H01R 11/24; H01R 11/281; H01R 11/286  
See application file for complete search history.

(56) **References Cited**

U.S. PATENT DOCUMENTS

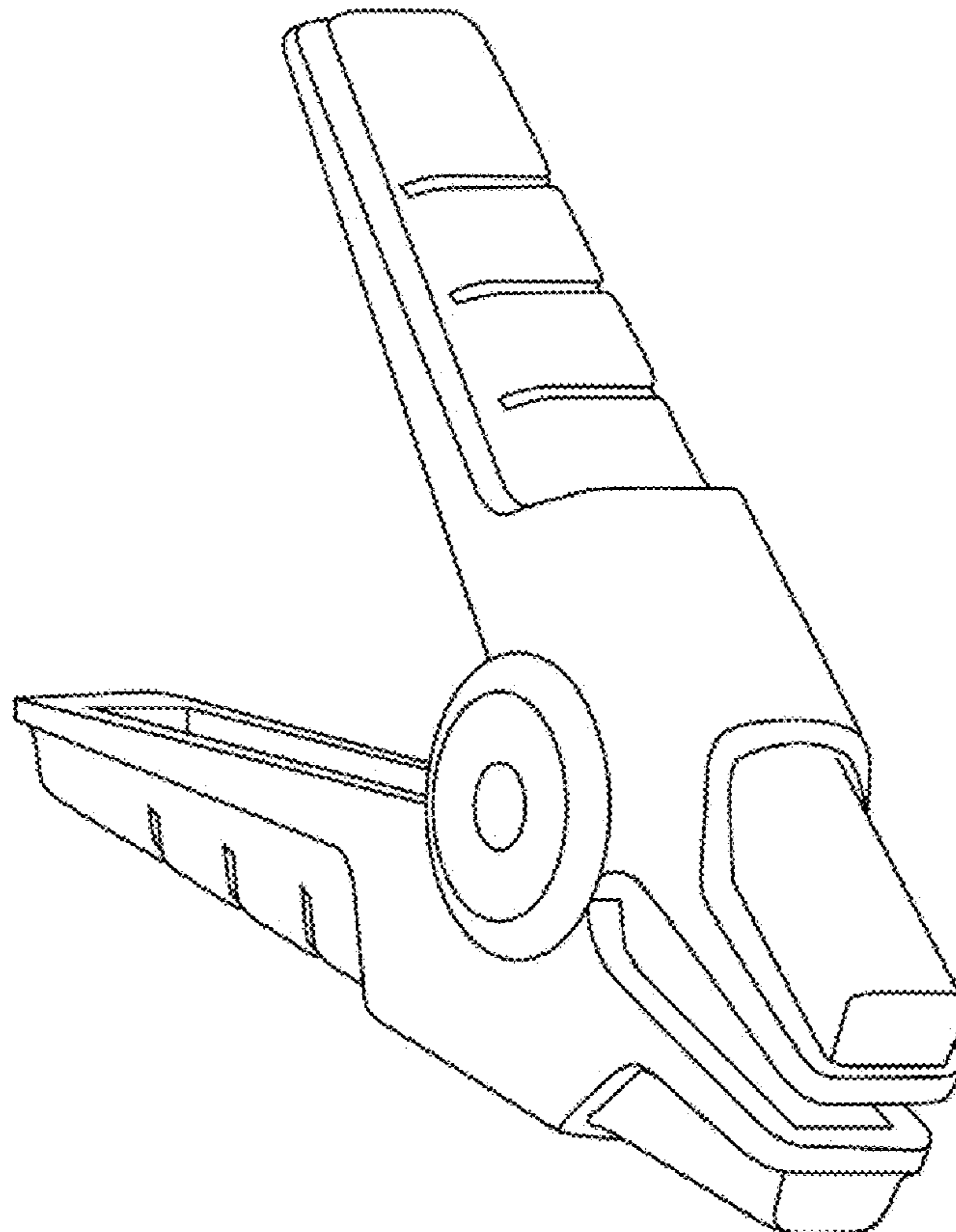
D258,818 S \* 4/1981 Johnson ..... D13/120  
D304,928 S \* 12/1989 Mize ..... D13/120  
6,254,426 B1 \* 7/2001 Iacovelli ..... F21V 33/0084  
320/105

(57) **CLAIM**  
The ornamental design for a battery clamp, as shown and  
described.

**DESCRIPTION**

FIG. 1 is a front perspective view showing the new design  
for a battery clamp;  
FIG. 2 is a top view thereof;  
FIG. 3 is a front view thereof;  
FIG. 4 is a rear view thereof;  
FIG. 5 is a side view thereof;  
FIG. 6 is another side view thereof; and,  
FIG. 7 is a bottom view thereof.  
The broken lines shown represent portions of the battery  
clamp that form no part of the claimed design.

**1 Claim, 4 Drawing Sheets**



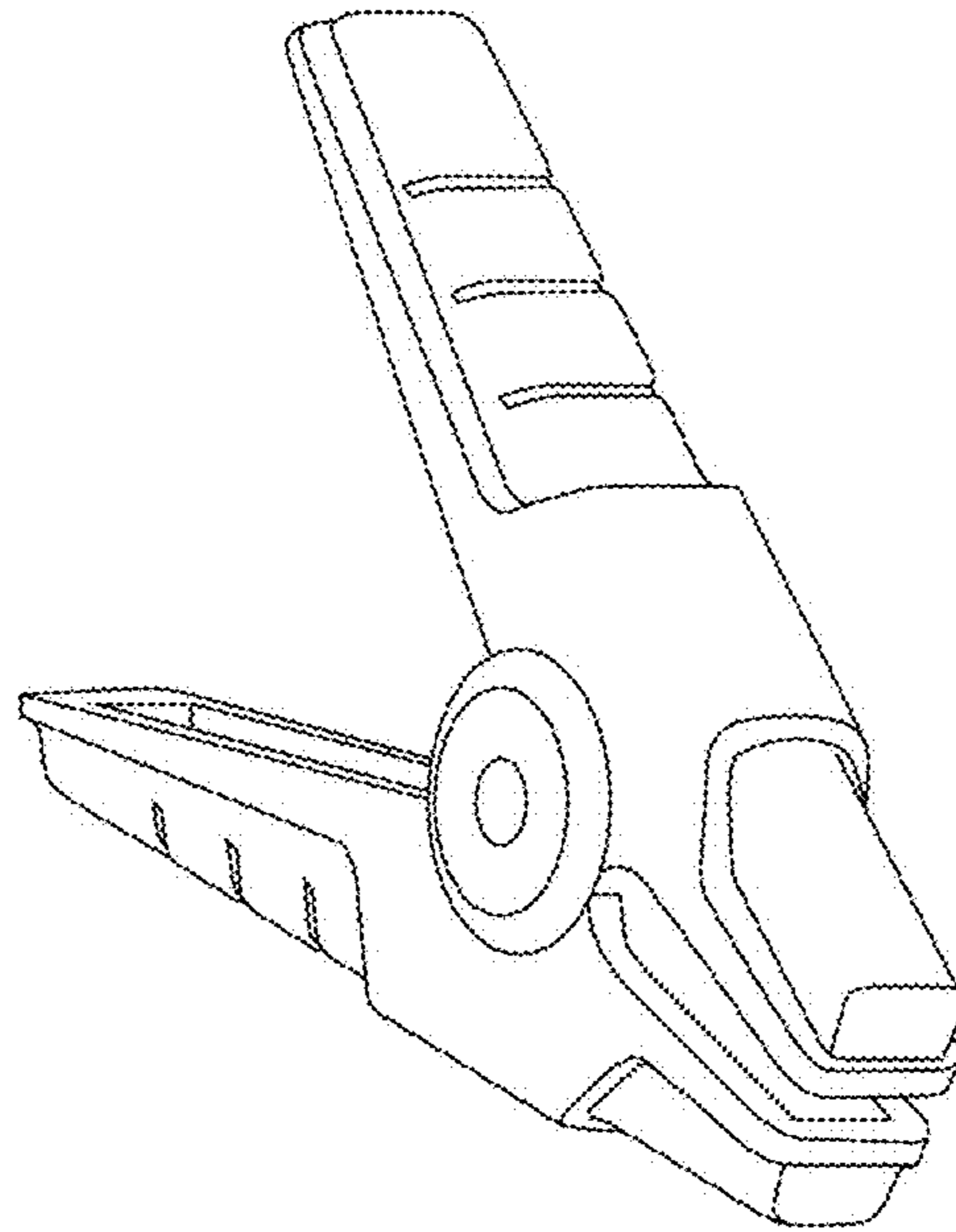


FIG. 1

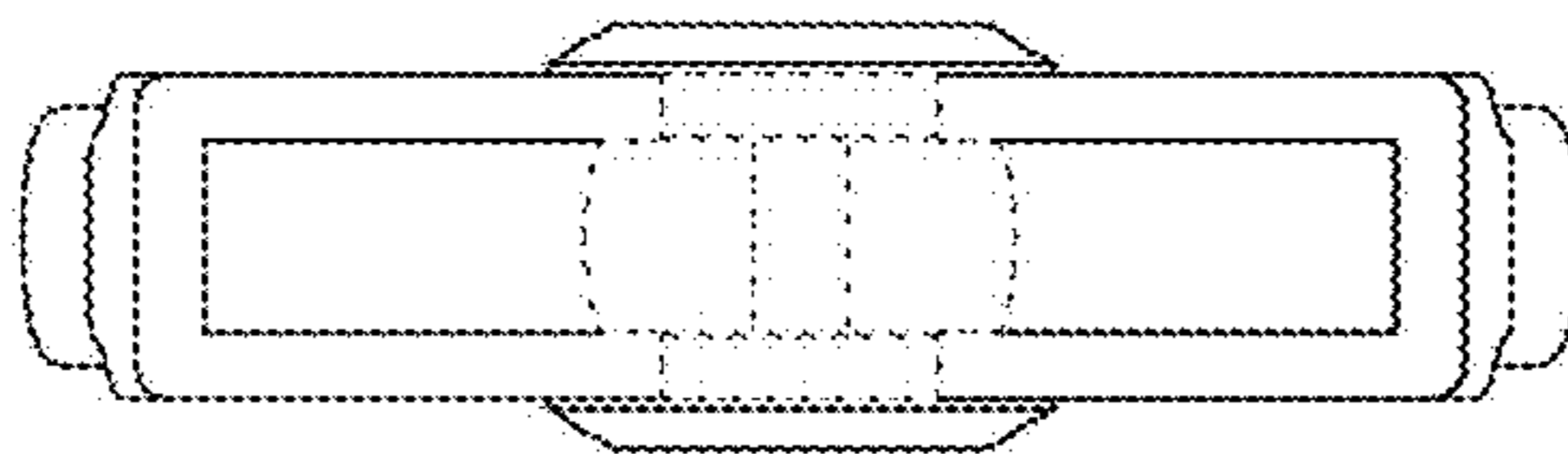


FIG. 2

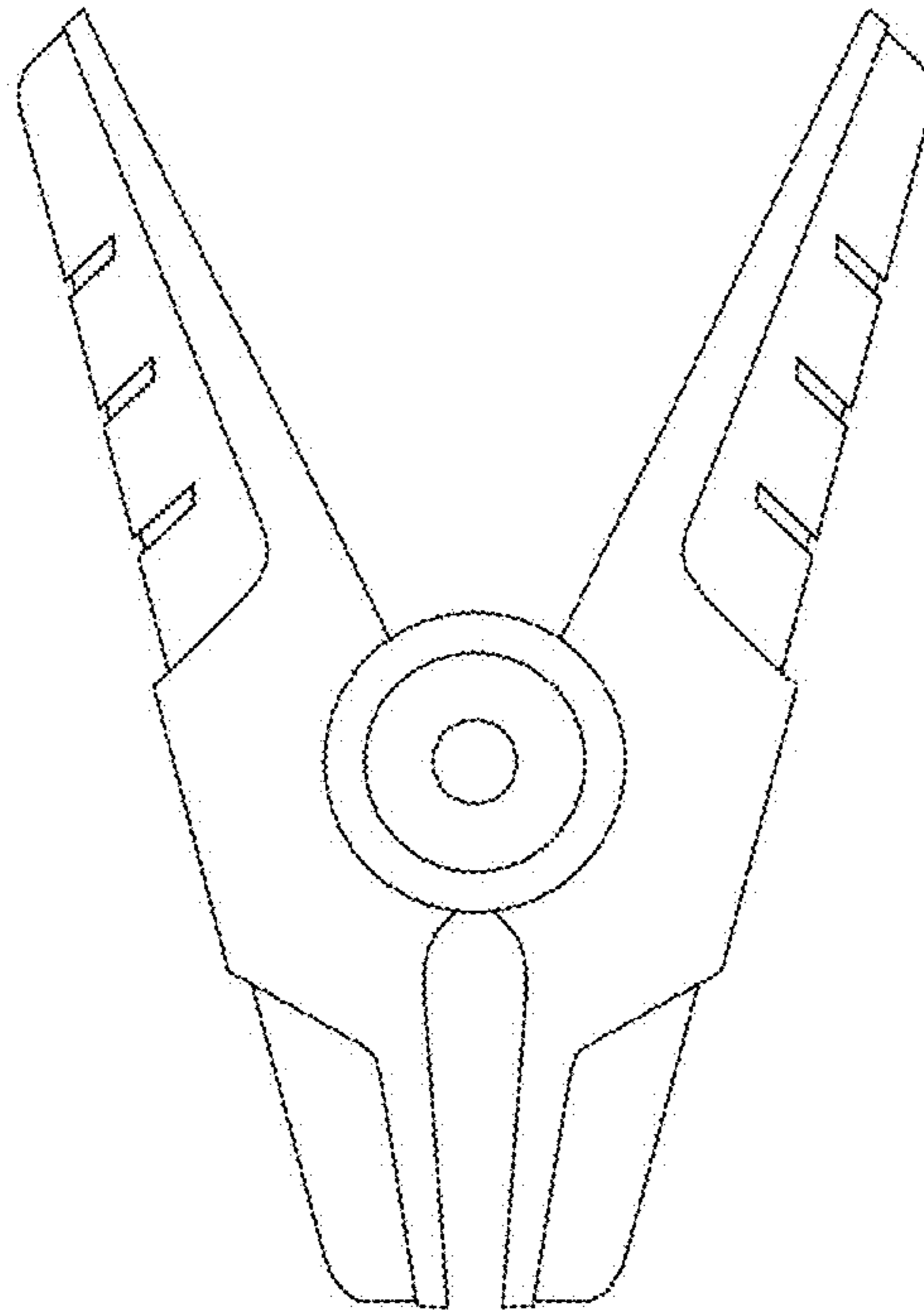


FIG. 3

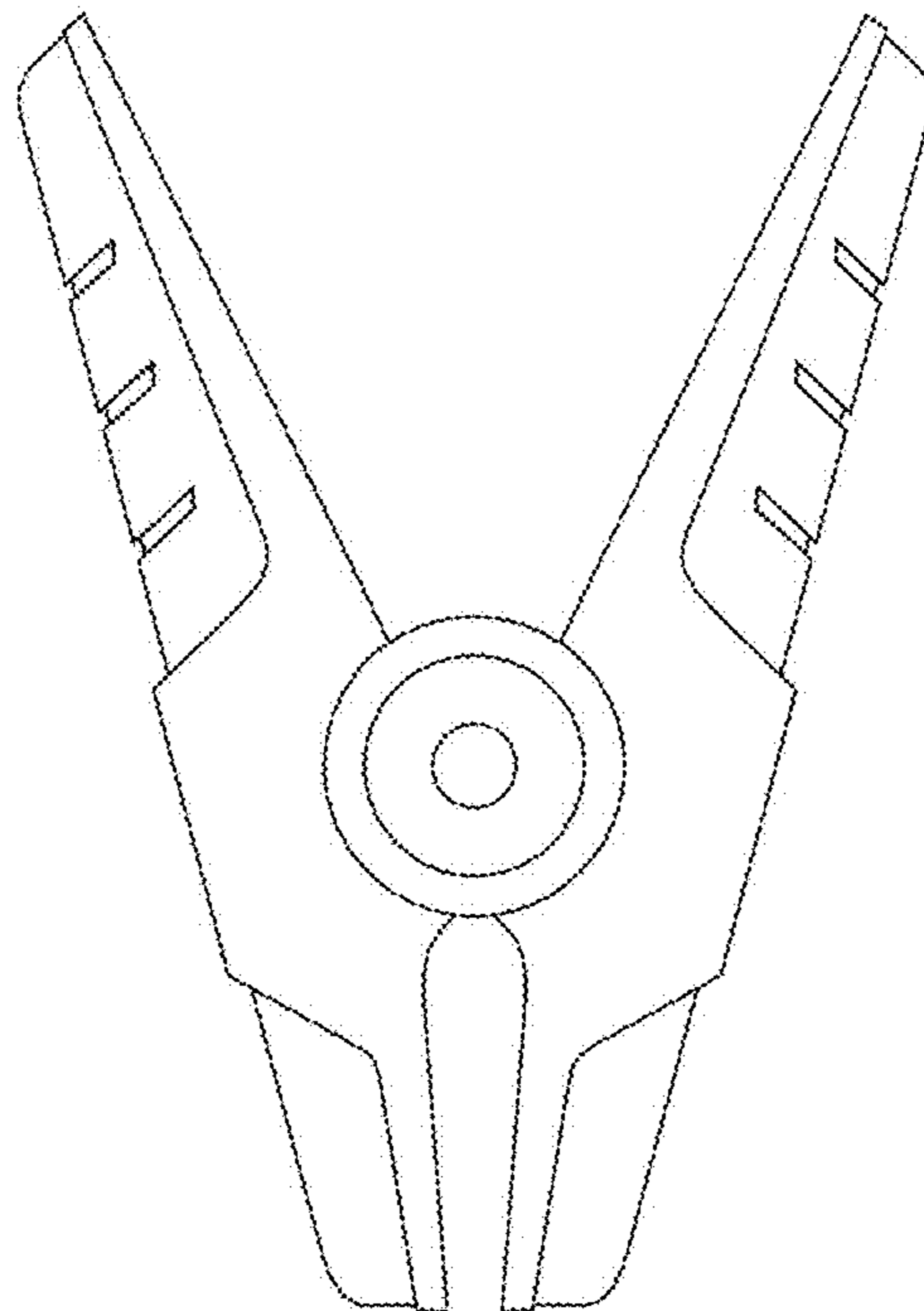


FIG. 4

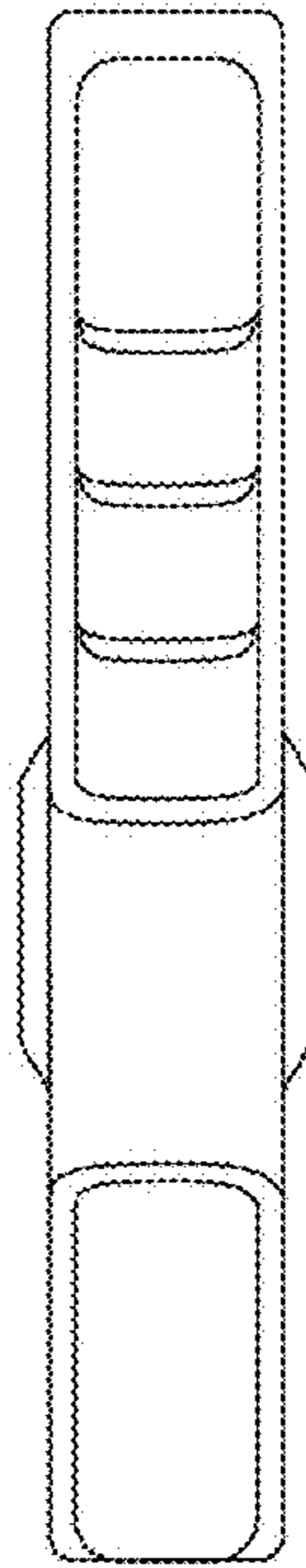


FIG. 5

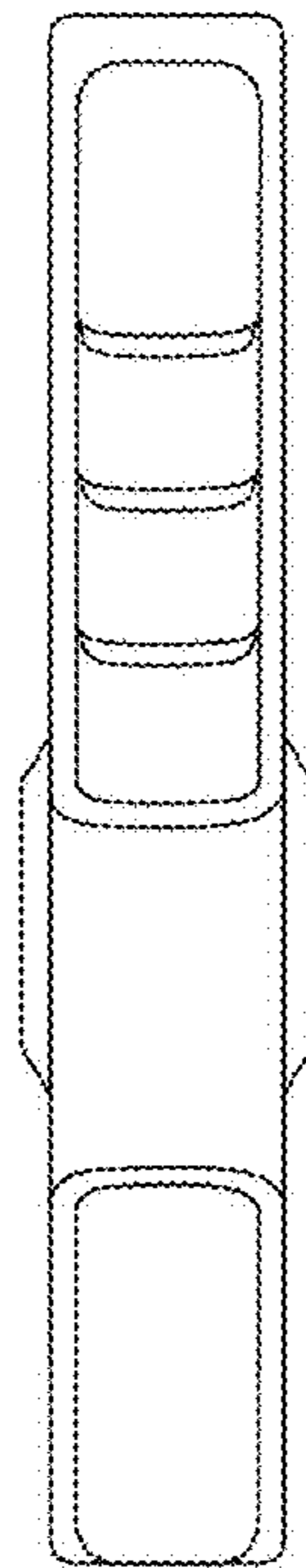


FIG. 6

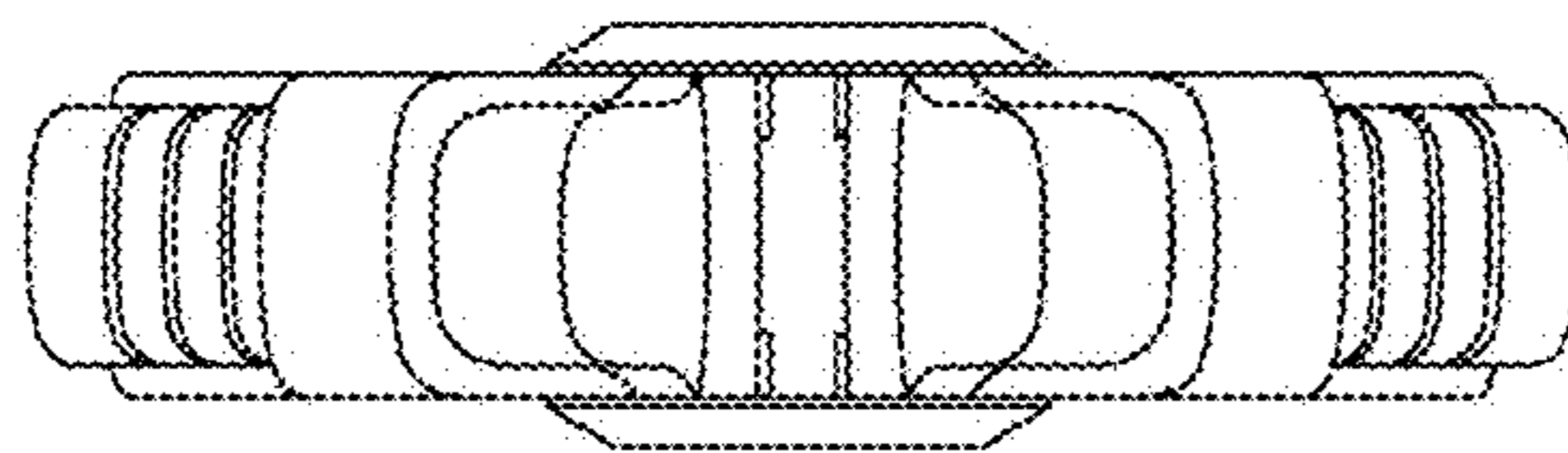


FIG. 7