



US00D889410S

(12) **United States Design Patent** (10) **Patent No.:** **US D889,410 S**
Birkholz et al. (45) **Date of Patent:** **** Jul. 7, 2020**

(54) **BATTERY HOLSTER**

(71) Applicant: **Integra LifeSciences Corporation**,
Plainsboro, NJ (US)

(72) Inventors: **Doug Birkholz**, Madison, WI (US);
Clay Mehnert, Madison, WI (US);
Brian Neeley, Cottage Grove, WI (US)

(73) Assignee: **Integra LifeSciences Corporation**,
Princeton, NJ (US)

(**) Term: **15 Years**

(21) Appl. No.: **29/665,619**

(22) Filed: **Oct. 5, 2018**

(51) **LOC (12) Cl.** **13-02**

(52) **U.S. Cl.**
USPC **D13/119**

(58) **Field of Classification Search**
USPC D13/103–106, 110, 119–121, 184;
D14/341; D26/37, 39; D24/133
CPC H01M 2/0202; H01M 2/1077; H01M 2/04;
H01M 2/0404; H01M 2/06; H01M
2/1016; H01M 2/1022
See application file for complete search history.

(56) **References Cited**

U.S. PATENT DOCUMENTS

4,584,250 A * 4/1986 Hooke H01M 2/10
429/100
6,421,885 B1 * 7/2002 Mowers H01M 2/1066
24/3.12
6,808,289 B2 * 10/2004 Reed F21S 9/02
362/198

D686,157 S * 7/2013 Kawase D13/119
D782,716 S * 3/2017 McLennan D26/37
D784,261 S * 4/2017 Rowe D13/103
D871,668 S * 12/2019 Lee D27/194
D873,560 S * 1/2020 Buschbom D3/228

OTHER PUBLICATIONS

Integra Surgical Illumination and Visualization Systems Brochure, 2016, 12 pages, Integra LifeSciences Corporation, USA.
 Sunoptic Surgical Titan 9000-II LED Headlight System Operation Manual, Oct. 2017, 50 pages, Sunoptic Technologies, USA.
 Integra LED Surgical Headlight System Operation and Service Manual, 2012, 22 pages, Integra LifeSciences Corporation, USA.
 Miltex Loupes and LED Light Brochure, 2010, 8 pages, Integra LifeSciences Corporation, USA.

* cited by examiner

Primary Examiner — Derrick E Holland

Assistant Examiner — Jennifer O King

(74) *Attorney, Agent, or Firm* — Eva Tan

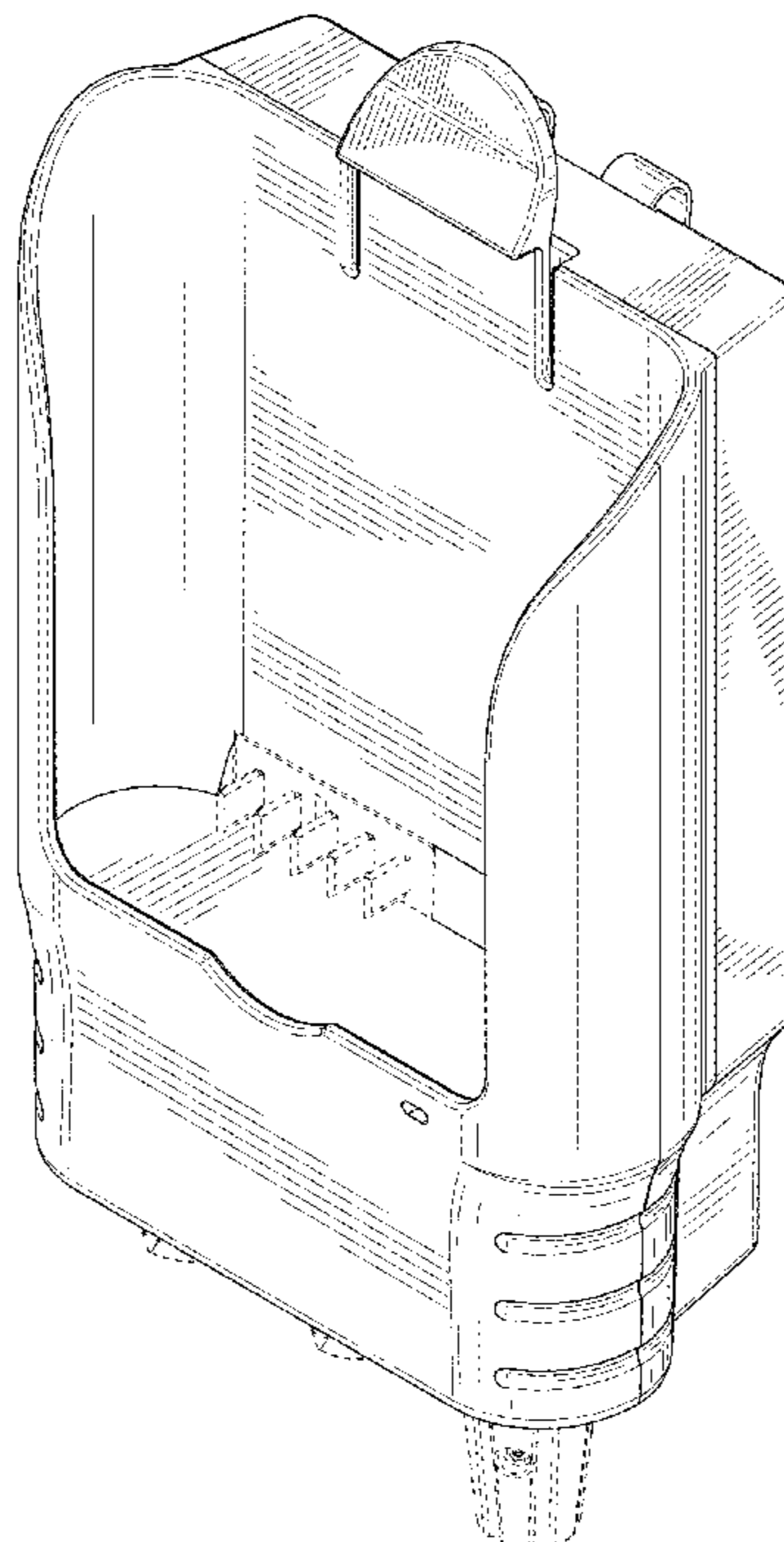
(57) **CLAIM**

The ornamental design for a battery holster, as shown and described.

DESCRIPTION

FIG. 1 is a perspective view of a battery holster;
 FIG. 2 is a left side elevational view thereof;
 FIG. 3 is a right side elevational view thereof;
 FIG. 4 is a front elevational view thereof;
 FIG. 5 is a rear elevational view thereof;
 FIG. 6 is a top plan view thereof; and,
 FIG. 7 is a bottom plan view thereof.
 The broken lines depict portions of the article that form no part of the claimed design.

1 Claim, 6 Drawing Sheets



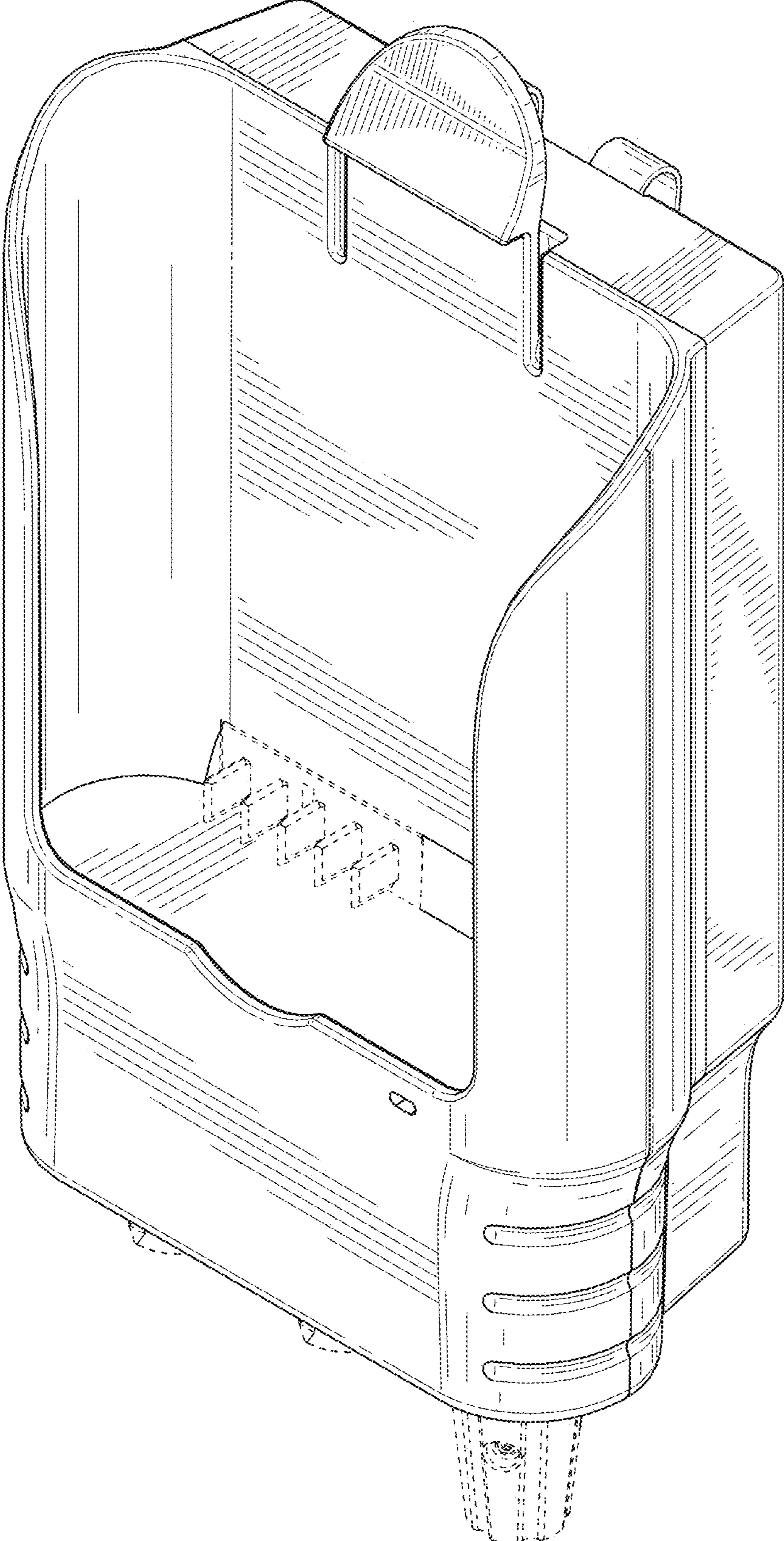


FIG. 1

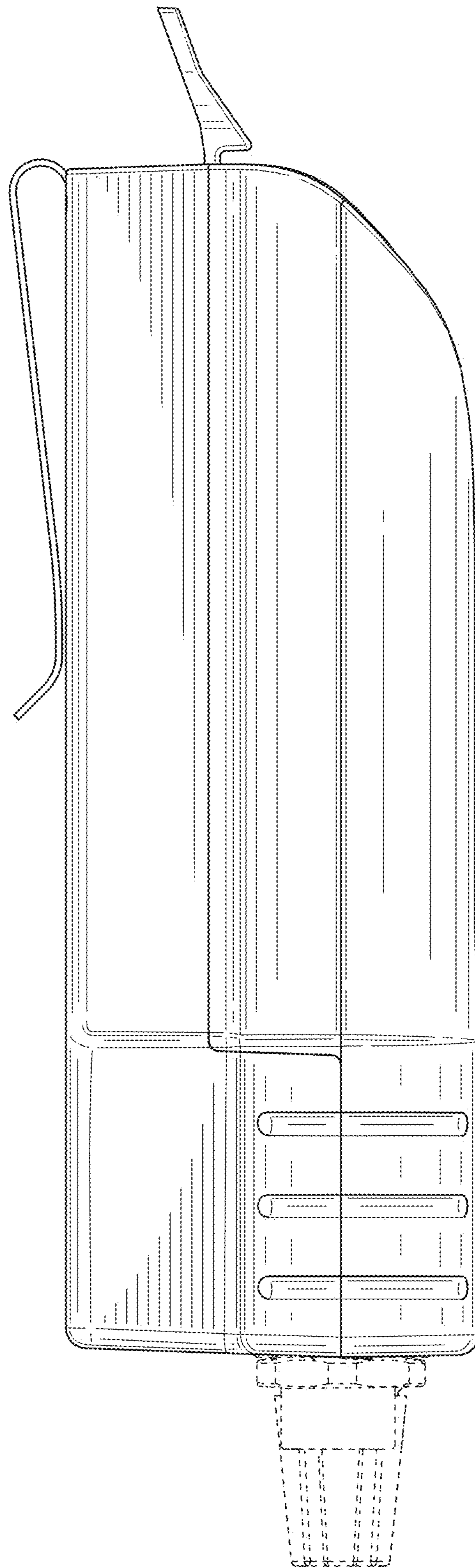


FIG. 2

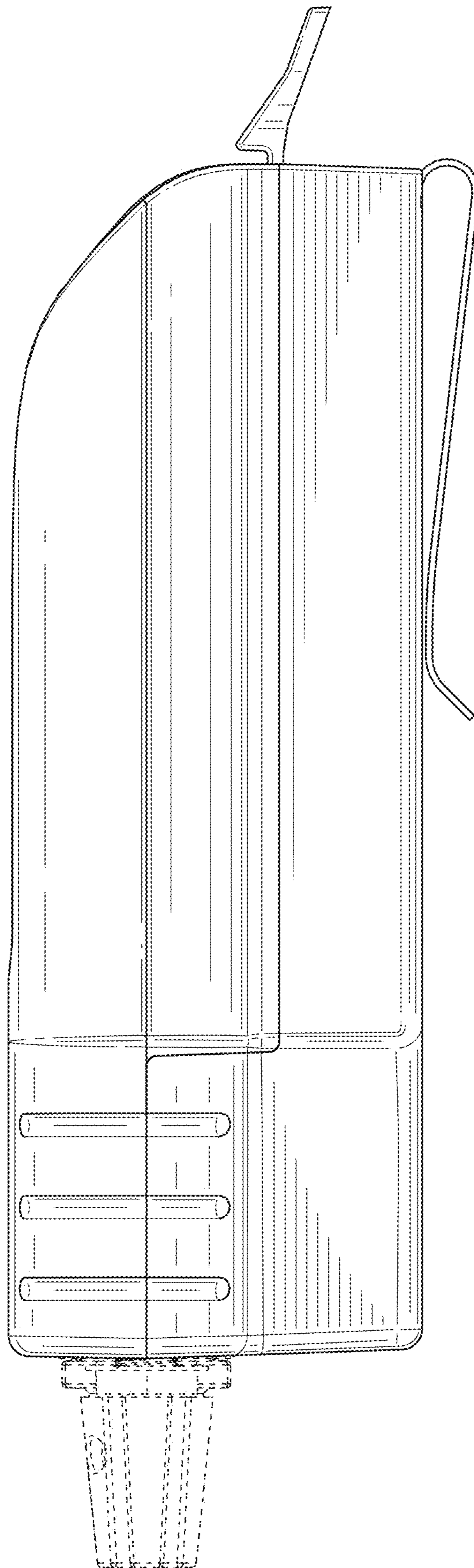


FIG. 3

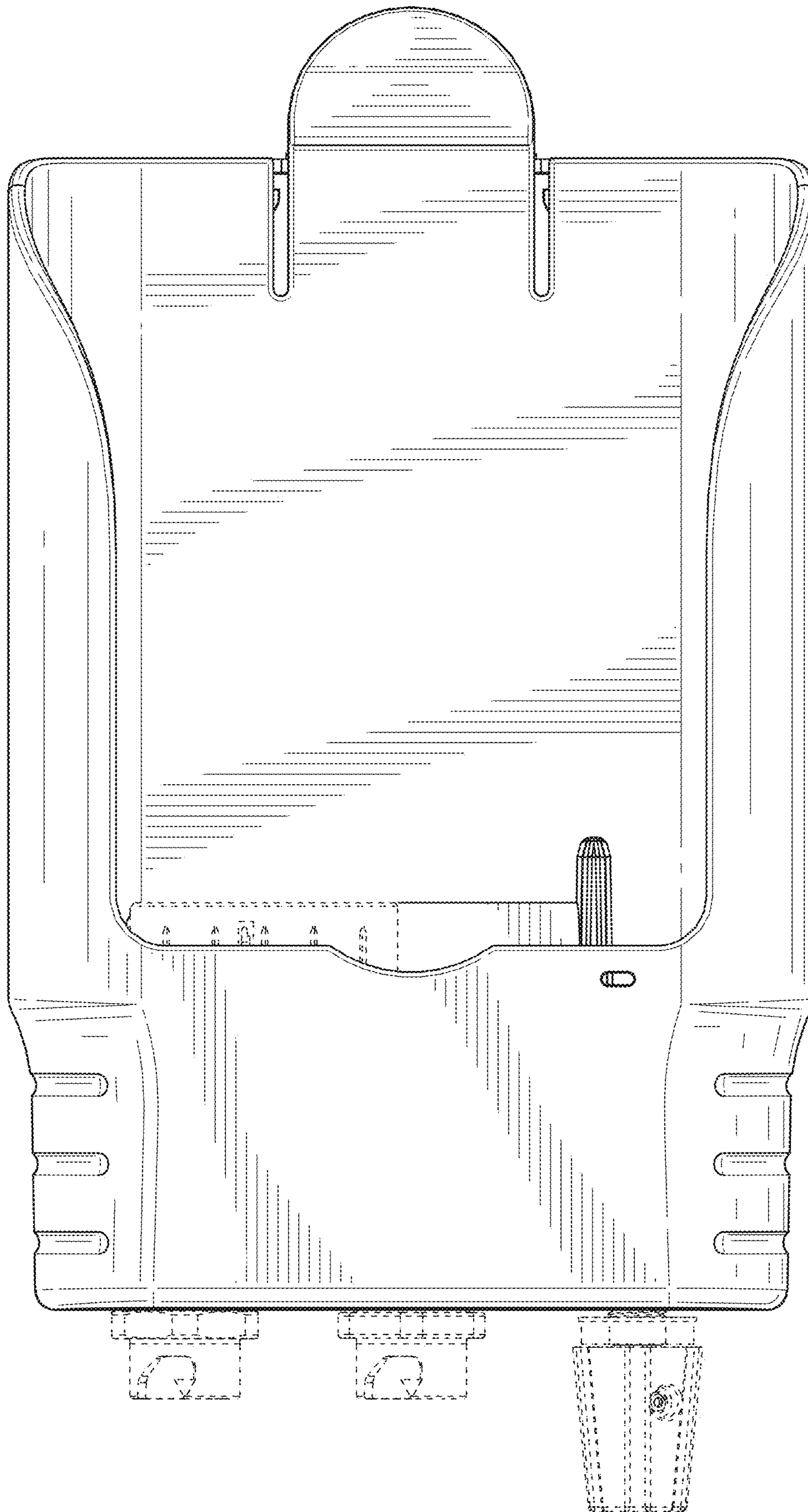


FIG. 4

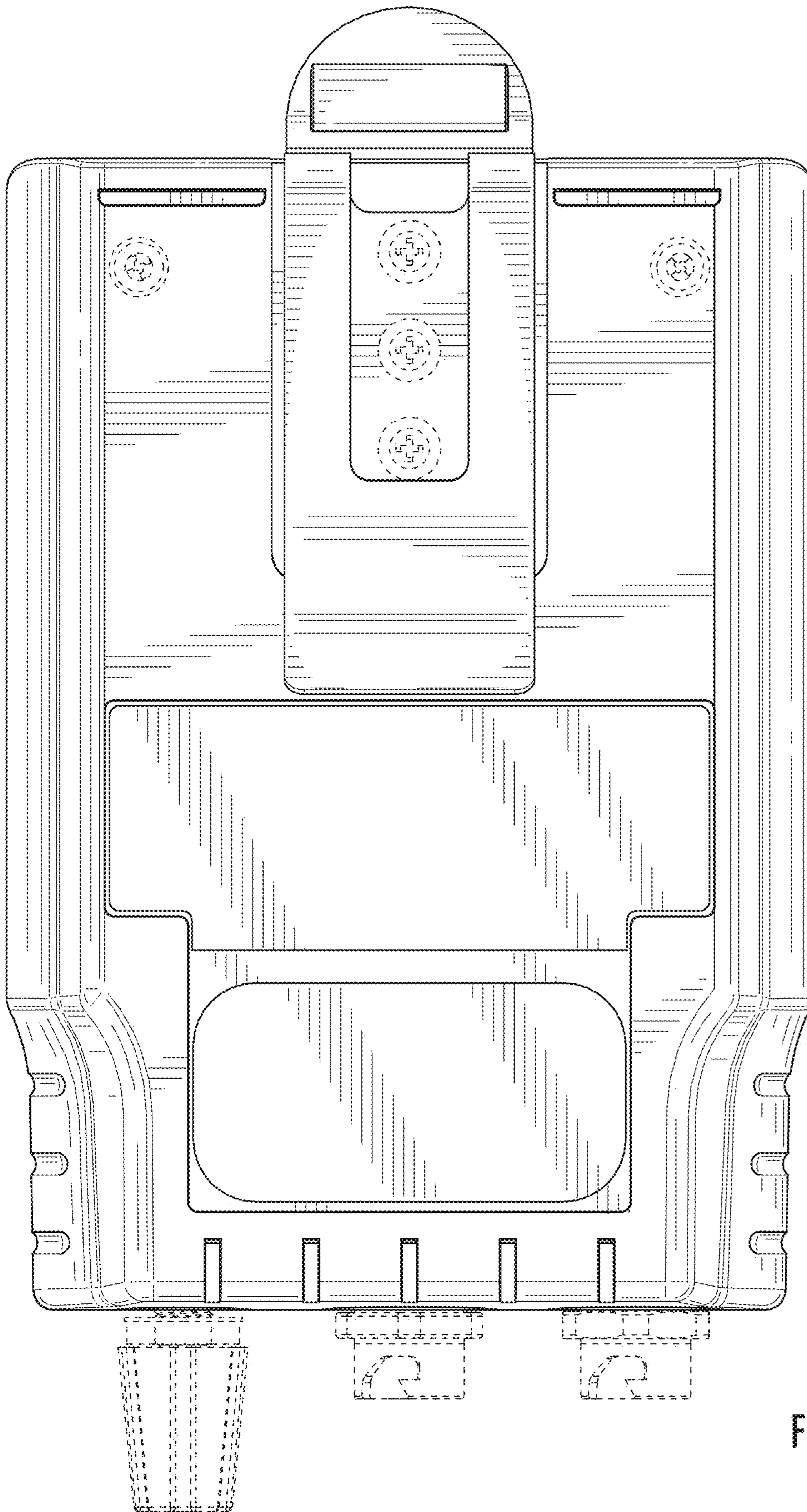


FIG. 5

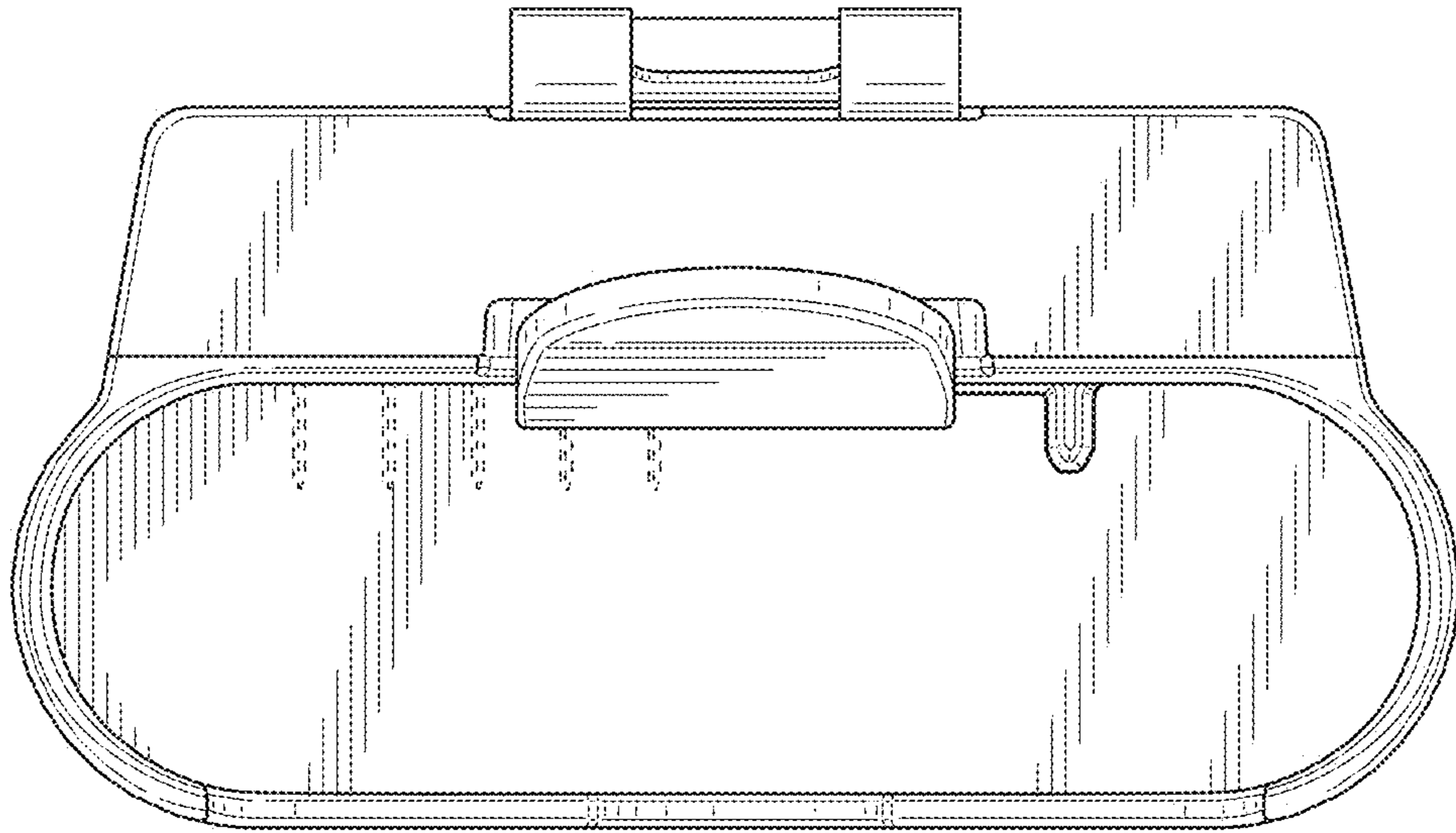


FIG. 6

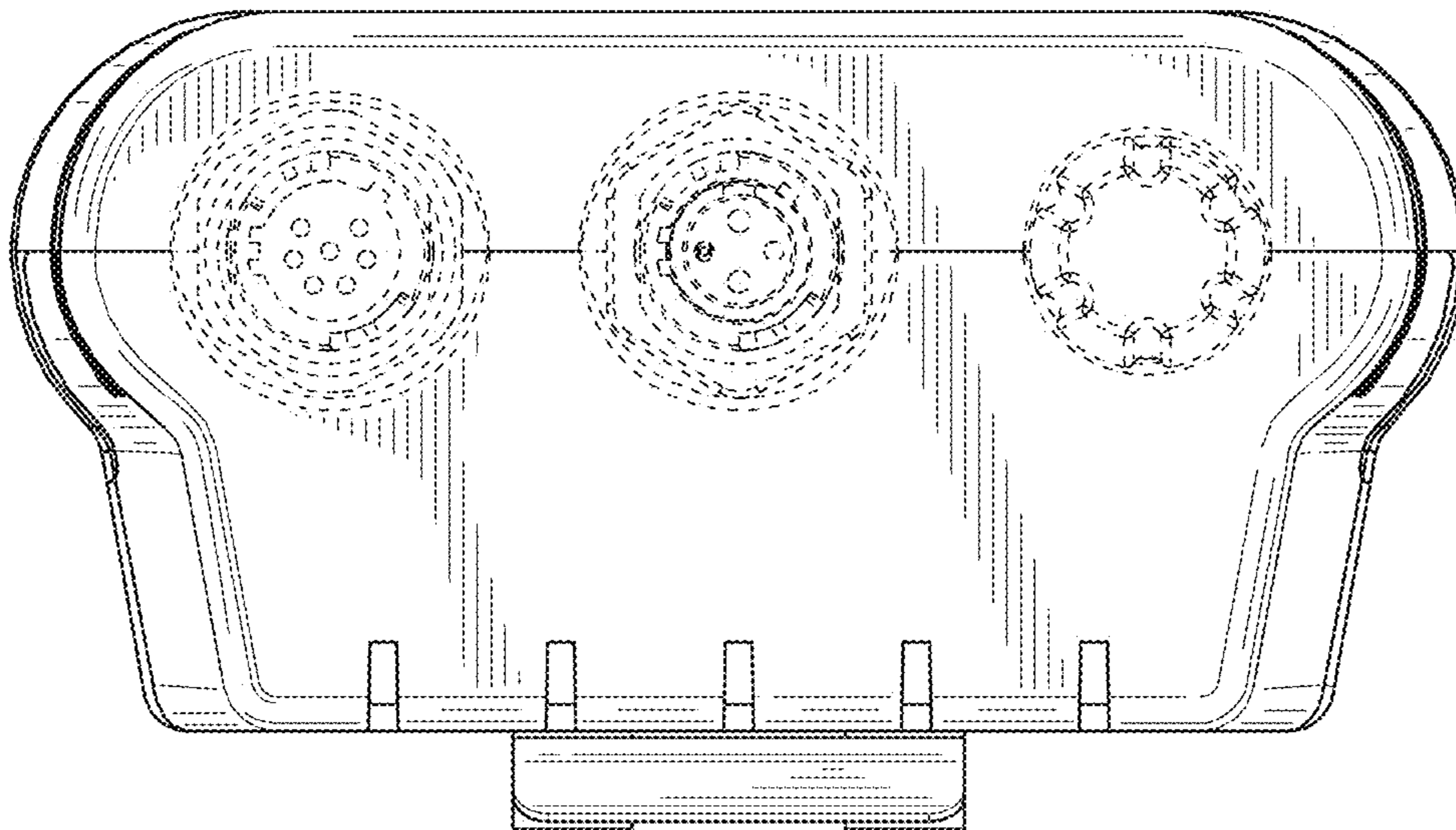


FIG. 7