



US00D889409S

(12) **United States Design Patent**
Wheaton et al.

(10) **Patent No.:** **US D889,409 S**

(45) **Date of Patent:** **** Jul. 7, 2020**

(54) **REMOVABLE BATTERY DOOR**
(71) Applicant: **Tile, Inc.**, San Mateo, CA (US)
(72) Inventors: **Christopher Sean Wheaton**, San Francisco, CA (US); **Cole Justin Derby**, East Palo Alto, CA (US); **Matthew Edward Kramer**, Los Gatos, CA (US); **Michael George Farley**, Foster City, CA (US)

D468,260 S * 1/2003 Lee D13/119
D470,104 S * 2/2003 Owen D13/119
D485,531 S * 1/2004 Liao D13/119
D646,637 S * 10/2011 Sakae D13/120
D684,535 S * 6/2013 McDonald, II D13/119
D765,029 S * 8/2016 Buller D13/119
D785,895 S * 5/2017 Molnar D34/35
D807,337 S * 1/2018 Kim D14/250
D814,416 S * 4/2018 Hickey D13/120

* cited by examiner

(73) Assignee: **Tile, Inc.**, San Mateo, CA (US)

Primary Examiner — Derrick E Holland

(**) Term: **15 Years**

(74) *Attorney, Agent, or Firm* — Fenwick & West LLP

(21) Appl. No.: **29/663,389**

(57) **CLAIM**

(22) Filed: **Sep. 14, 2018**

The ornamental design for a removable battery door, as shown and described.

(51) **LOC (12) Cl.** **13-02**

(52) **U.S. Cl.**
USPC **D13/119**

DESCRIPTION

(58) **Field of Classification Search**
USPC D13/103, 104, 105, 106, 110, 118, 119,
D13/120, 121, 184, 199; D14/217, 250,
D14/511

CPC G01B 7/16; G01B 7/20; G01N 27/223;
H01M 2/02; H01M 2/022; H01M 2/0202;
H01M 2/0207; H01M 2/0212; H01M
2/043; H01M 2/204

See application file for complete search history.

FIG. 1 is a first perspective view of a removable battery door showing our new design;
FIG. 2 is a second perspective view thereof;
FIG. 3 is a third perspective view thereof;
FIG. 4 is a fourth perspective view thereof;
FIG. 5 is a first side elevational view thereof;
FIG. 6 is a second side elevational view thereof;
FIG. 7 is a third side elevational view thereof;
FIG. 8 is a fourth side elevational view thereof;
FIG. 9 is a top plan view thereof; and,
FIG. 10 is a bottom plan view thereof.

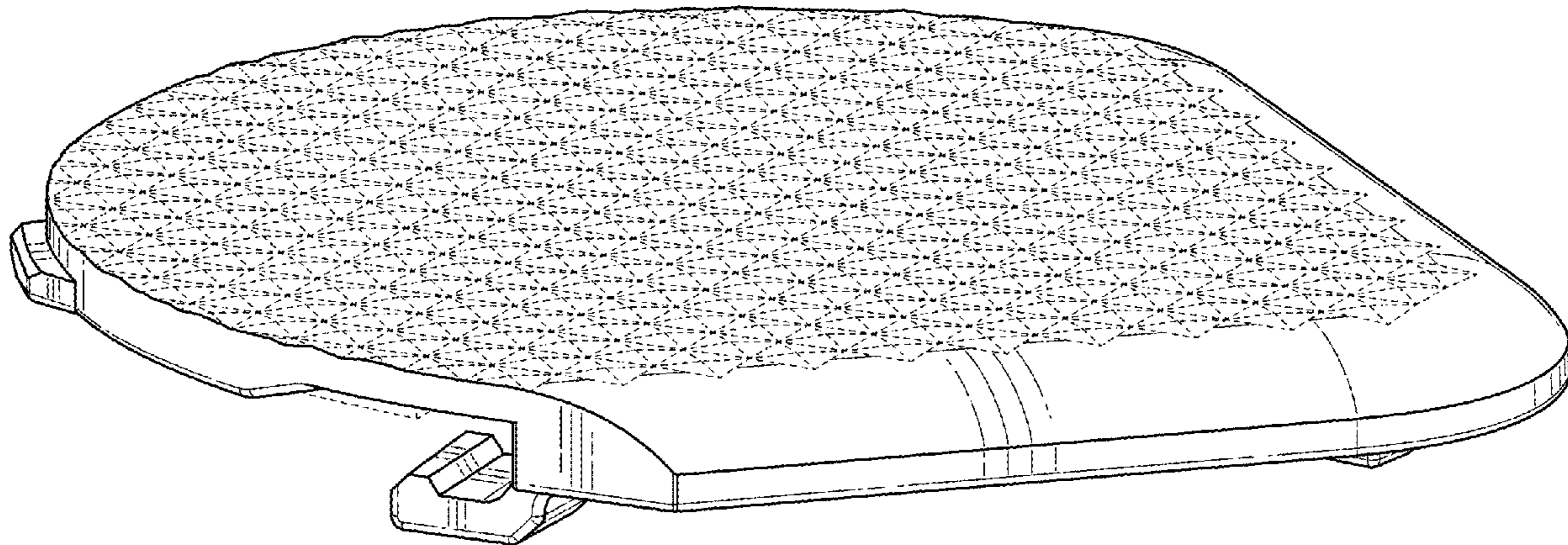
The broken lines in the drawings showing portions of the removable battery door are included for the purpose of illustrating environmental structure and form no part of the claimed design.

(56) **References Cited**

U.S. PATENT DOCUMENTS

5,805,416 A * 9/1998 Friend H05K 5/0086
235/472.01
D433,380 S * 11/2000 Dow D13/119

1 Claim, 10 Drawing Sheets



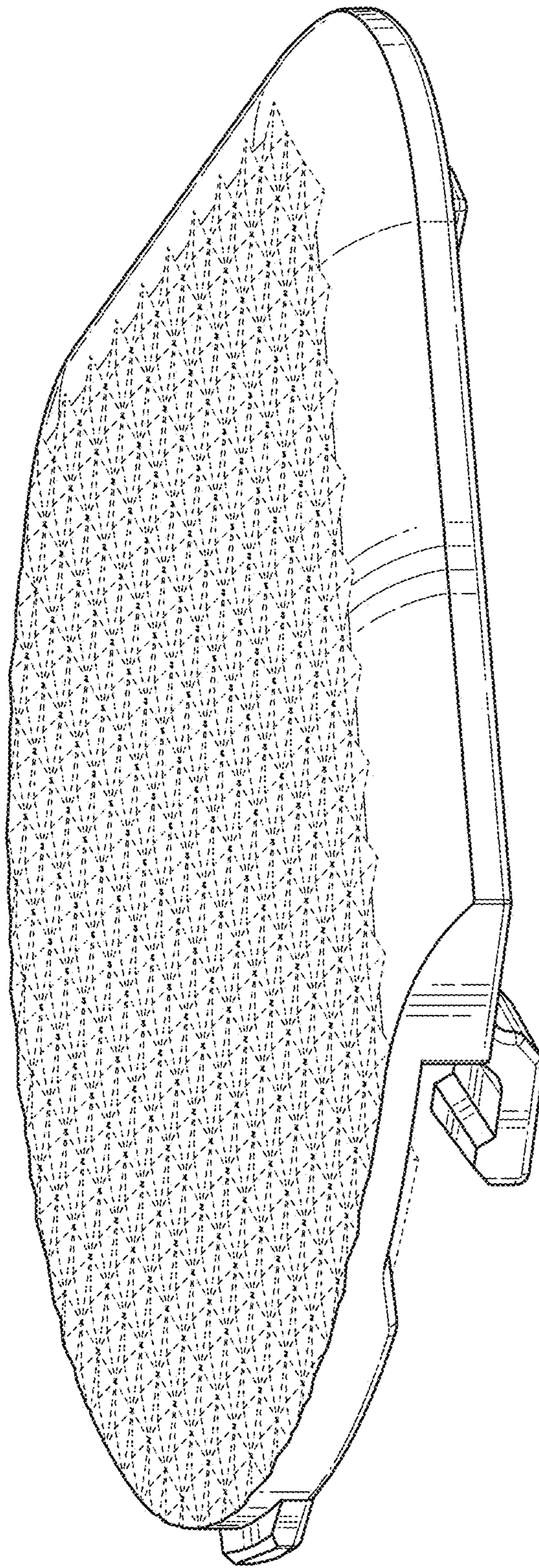


FIG. 1

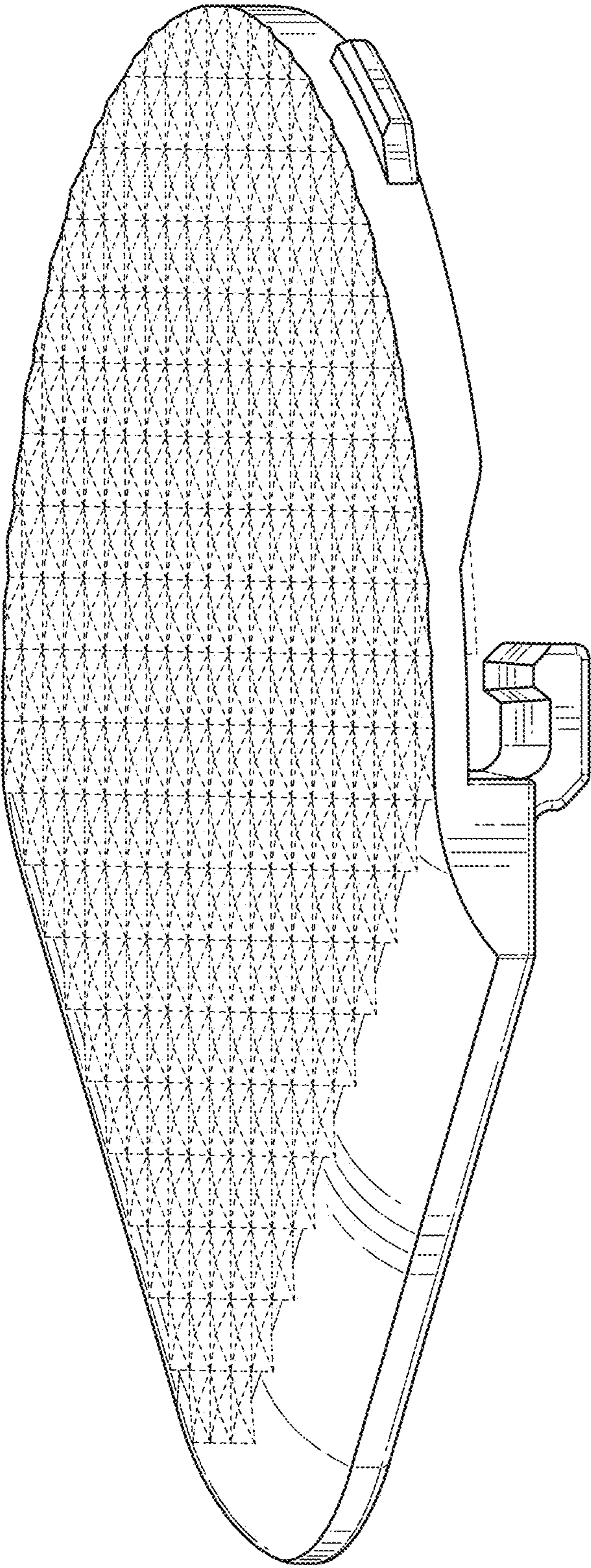


FIG. 2

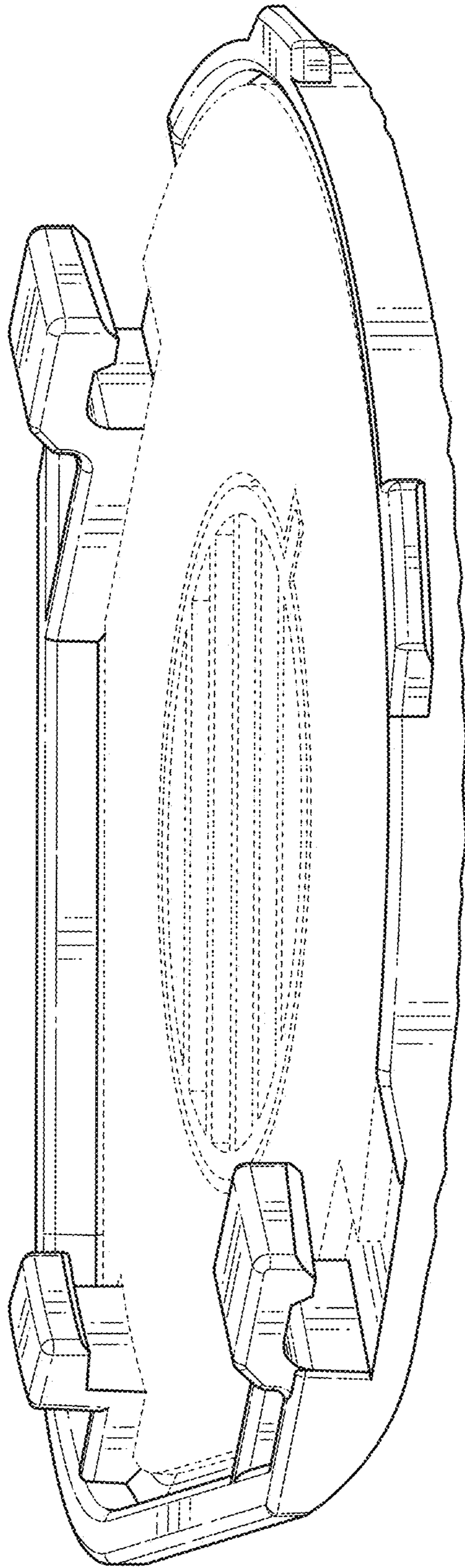


FIG. 3

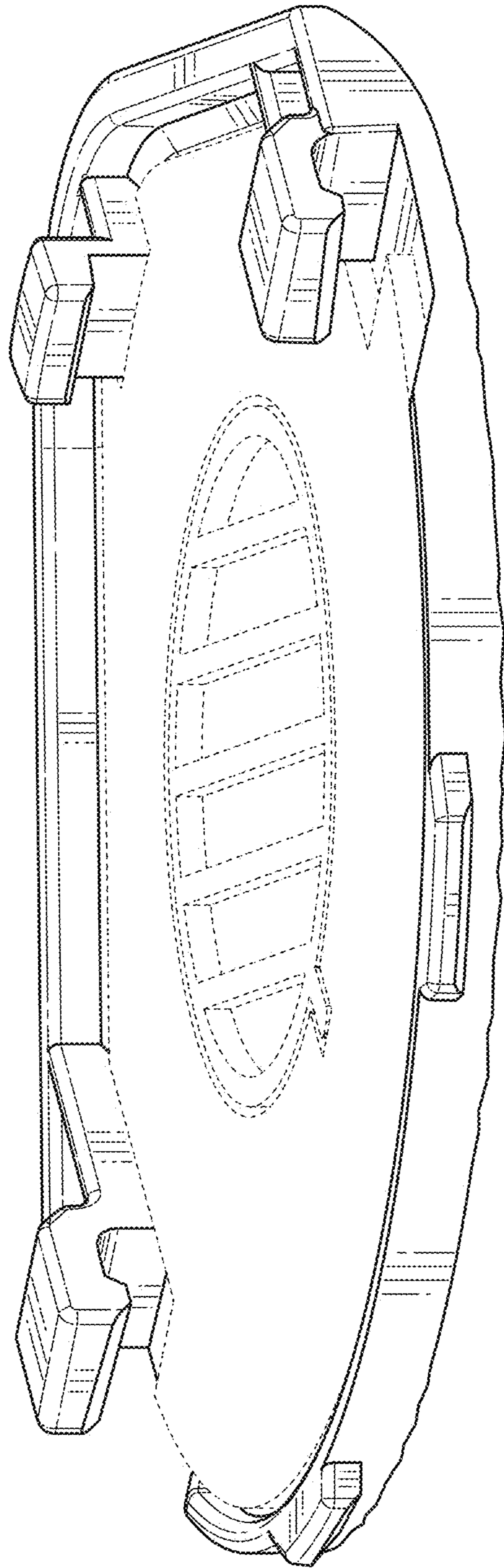


FIG. 4

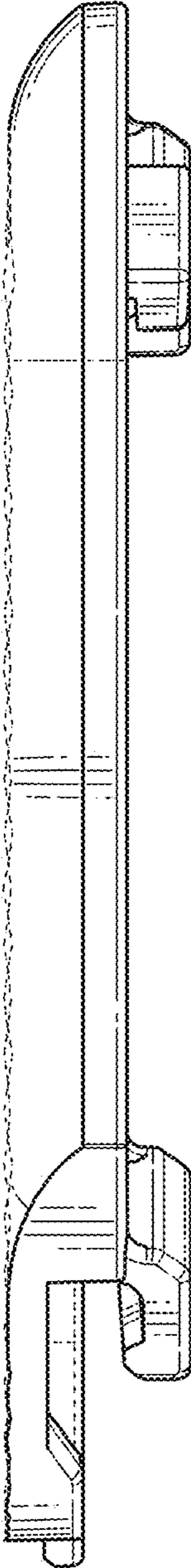


FIG. 5

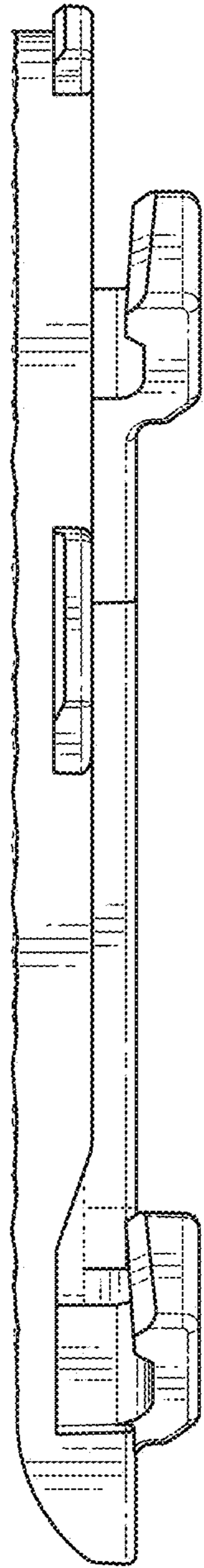


FIG. 6

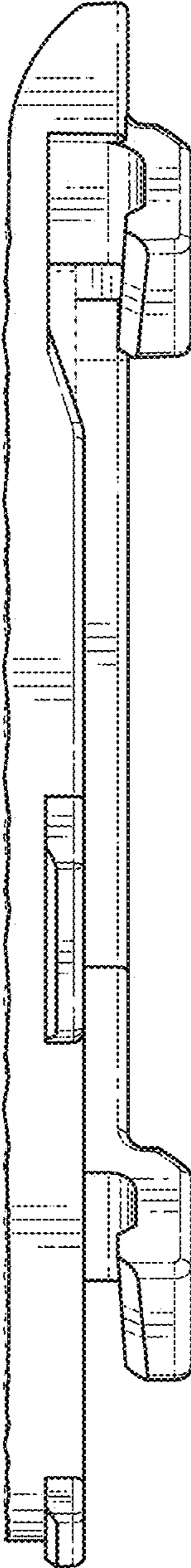


FIG. 7

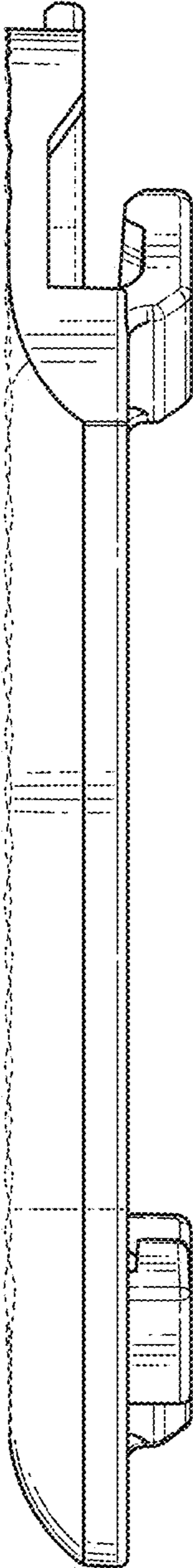


FIG. 8

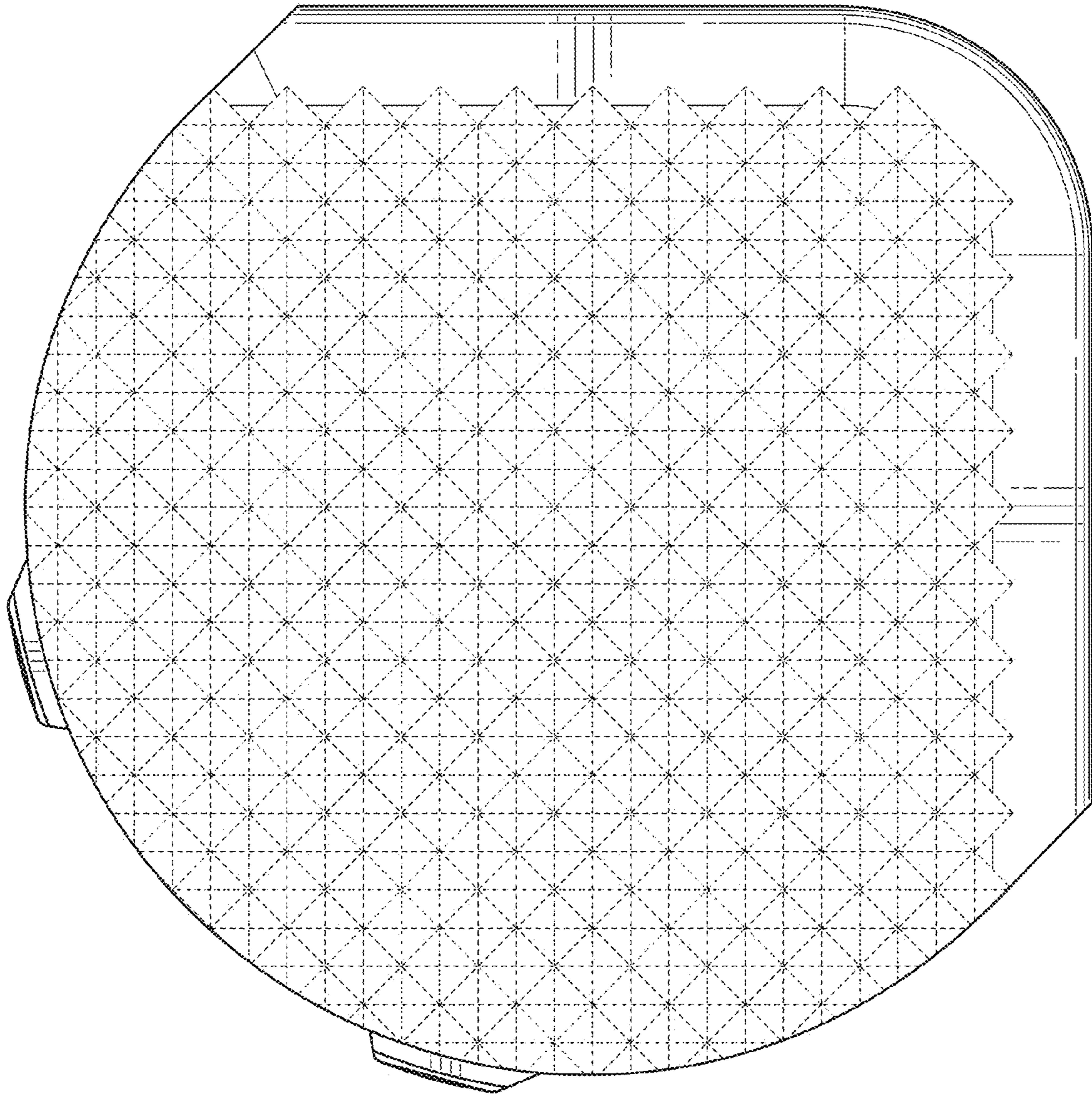


FIG. 9

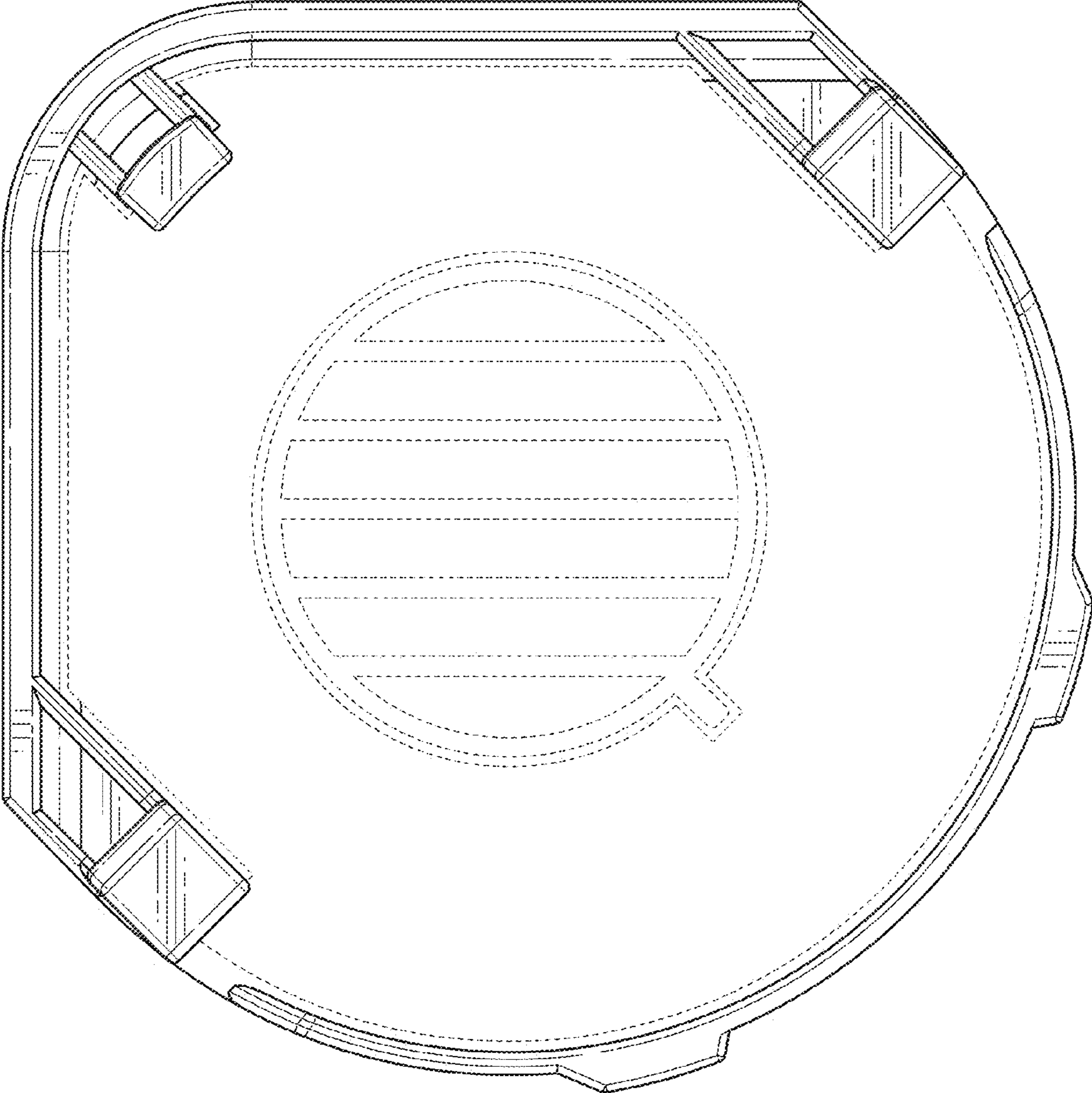


FIG. 10