



US00D889408S

(12) **United States Design Patent**  
**Wheaton et al.**

(10) **Patent No.:** **US D889,408 S**  
(45) **Date of Patent:** **\*\* Jul. 7, 2020**

(54) **REMOVABLE BATTERY DOOR**  
(71) Applicant: **Tile, Inc.**, San Mateo, CA (US)  
(72) Inventors: **Christopher Sean Wheaton**, San Francisco, CA (US); **Cole Justin Derby**, East Palo Alto, CA (US); **Matthew Edward Kramer**, Los Gatos, CA (US); **Michael George Farley**, Foster City, CA (US)

(73) Assignee: **Tile, Inc.**, San Mateo, CA (US)

(\*\*) Term: **15 Years**

(21) Appl. No.: **29/663,388**

(22) Filed: **Sep. 14, 2018**

(51) **LOC (12) Cl.** ..... **13-02**

(52) **U.S. Cl.**  
USPC ..... **D13/119**

(58) **Field of Classification Search**  
USPC ..... D13/103, 104, 105, 106, 110, 118, 119, D13/120, 121, 184, 199; D14/217, 250, D14/511  
CPC ..... G01B 7/16; G01B 7/20; G01N 27/223; H01M 2/02; H01M 2/022; H01M 2/0202; H01M 2/0207; H01M 2/0212; H01M 2/043; H01M 2/204  
See application file for complete search history.

(56) **References Cited**

**U.S. PATENT DOCUMENTS**

5,805,416 A \* 9/1998 Friend ..... H05K 5/0086  
235/472.01  
D433,380 S \* 11/2000 Dow ..... D13/119

D468,260 S \* 1/2003 Lee ..... D13/119  
D470,104 S \* 2/2003 Owen ..... D13/119  
D485,531 S \* 1/2004 Liao ..... D13/119  
D646,637 S \* 10/2011 Sakae ..... D13/120  
D684,535 S \* 6/2013 McDonald, II ..... D13/119  
D765,029 S \* 8/2016 Buller ..... D13/119  
D785,895 S \* 5/2017 Molnar ..... D34/35  
D807,337 S \* 1/2018 Kim ..... D14/250  
D814,416 S \* 4/2018 Hickey ..... D13/120

\* cited by examiner

*Primary Examiner* — Derrick E Holland

(74) *Attorney, Agent, or Firm* — Fenwick & West LLP

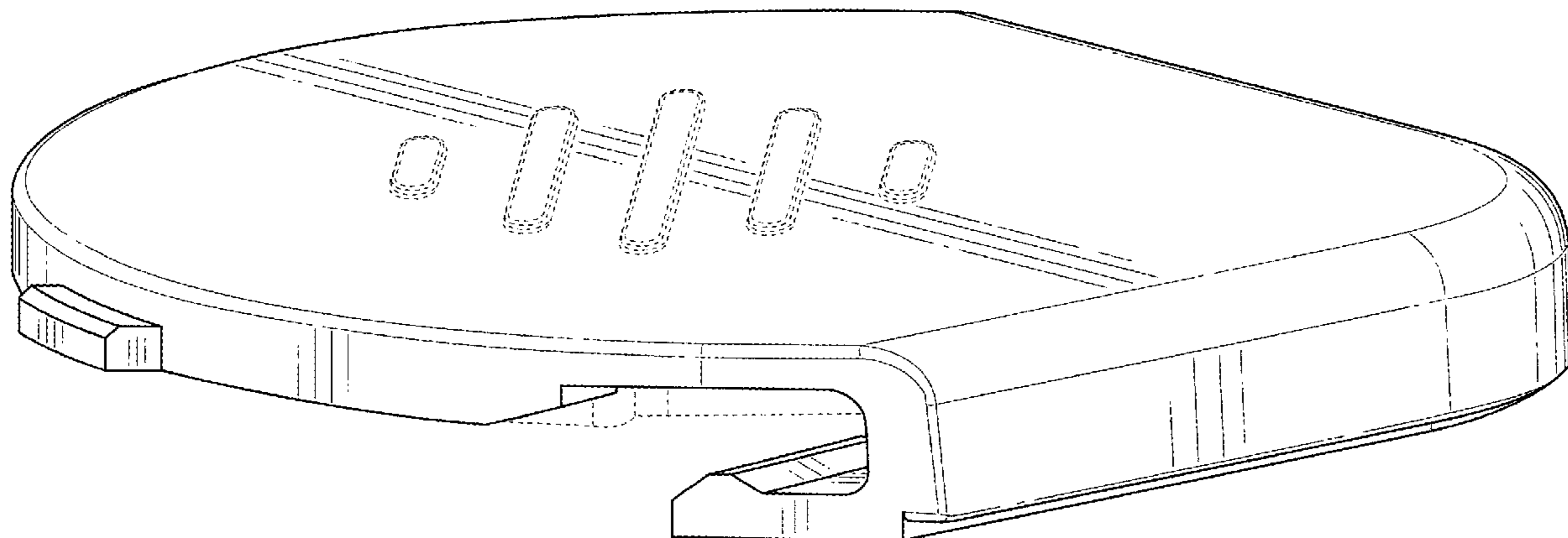
(57) **CLAIM**

The ornamental design for a removable battery door, as shown and described.

**DESCRIPTION**

FIG. 1 is a first perspective view of a removable battery door showing our new design;  
FIG. 2 is a second perspective view thereof;  
FIG. 3 is a third perspective view thereof;  
FIG. 4 is a fourth perspective view thereof;  
FIG. 5 is a first side elevational view thereof;  
FIG. 6 is a second side elevational view thereof;  
FIG. 7 is a third side elevational view thereof;  
FIG. 8 is a fourth side elevational view thereof;  
FIG. 9 is a top plan view thereof; and,  
FIG. 10 is a bottom plan view thereof.  
The broken lines in the drawings showing portions of the removable battery door are included for the purpose of illustrating environmental structure and form no part of the claimed design.

**1 Claim, 10 Drawing Sheets**



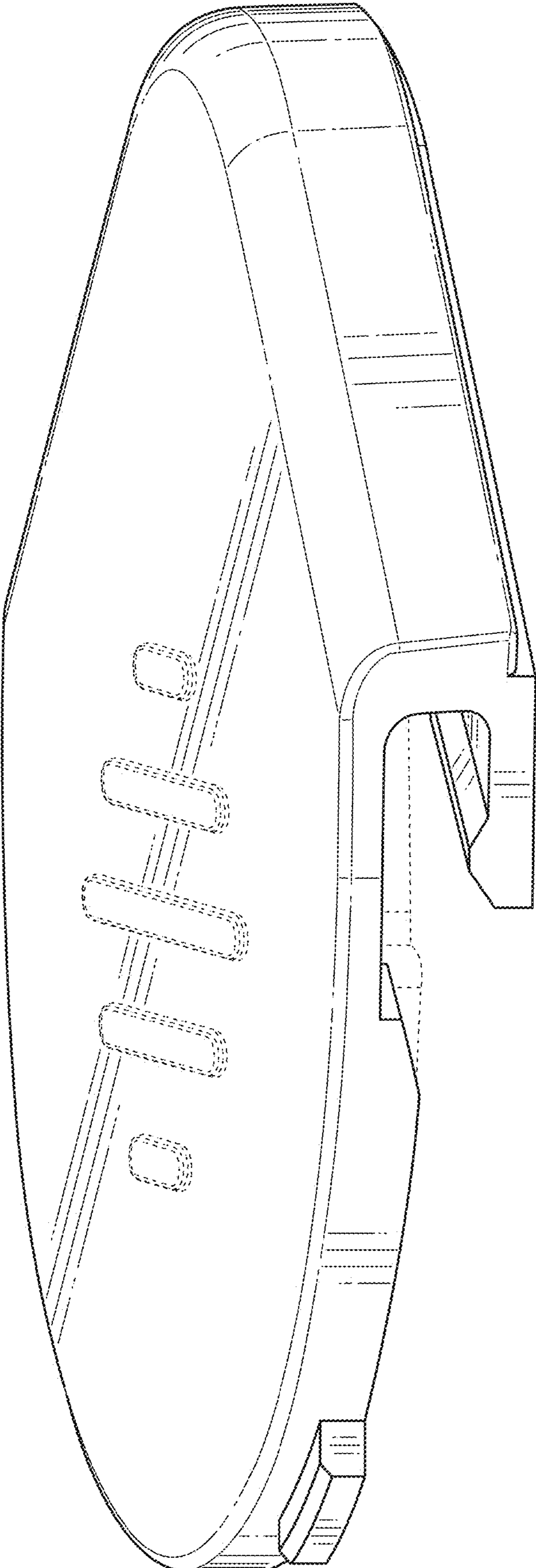


FIG. 1

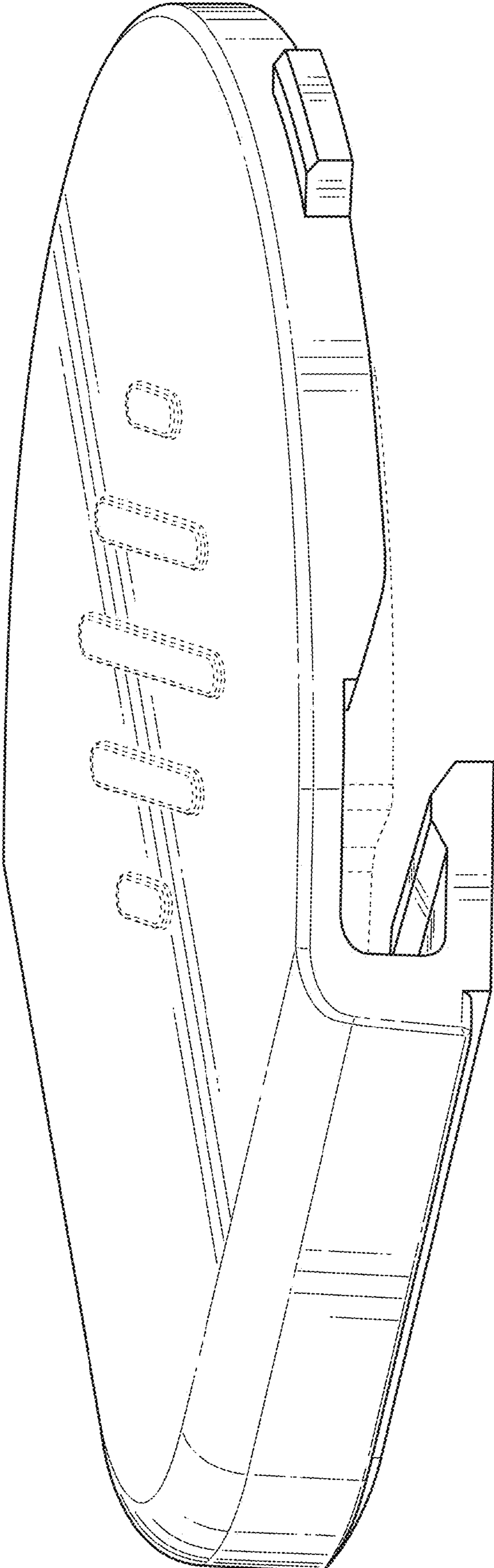


FIG. 2

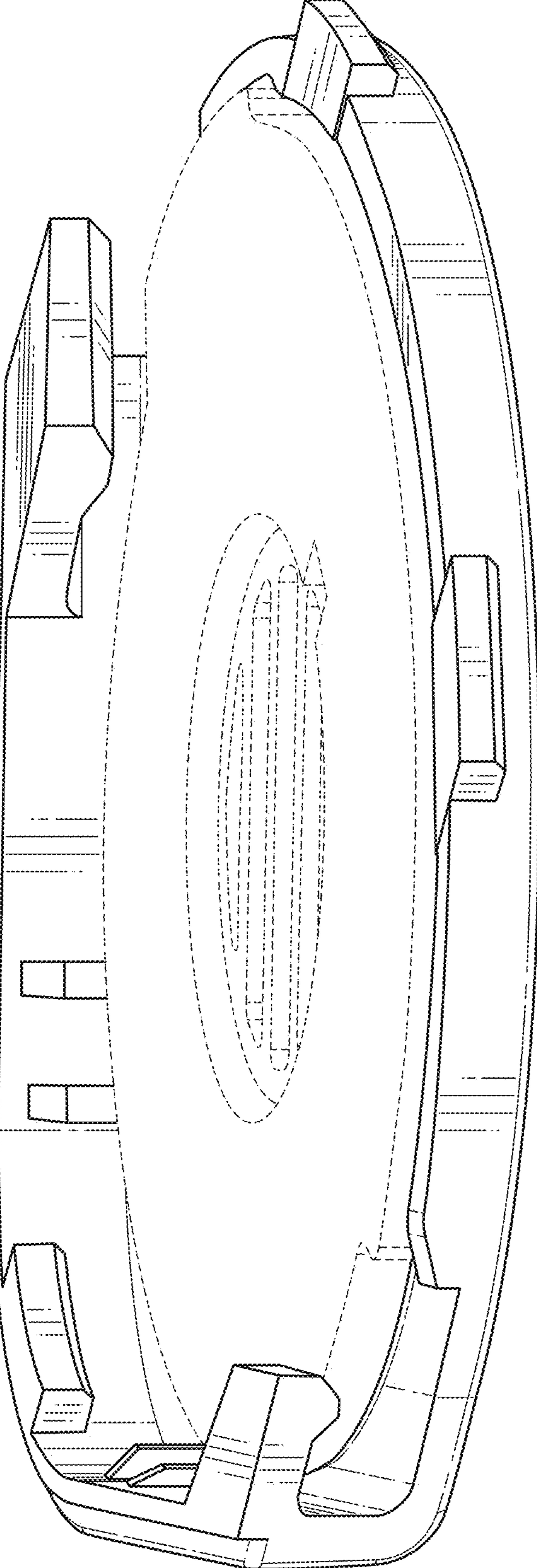


FIG. 3

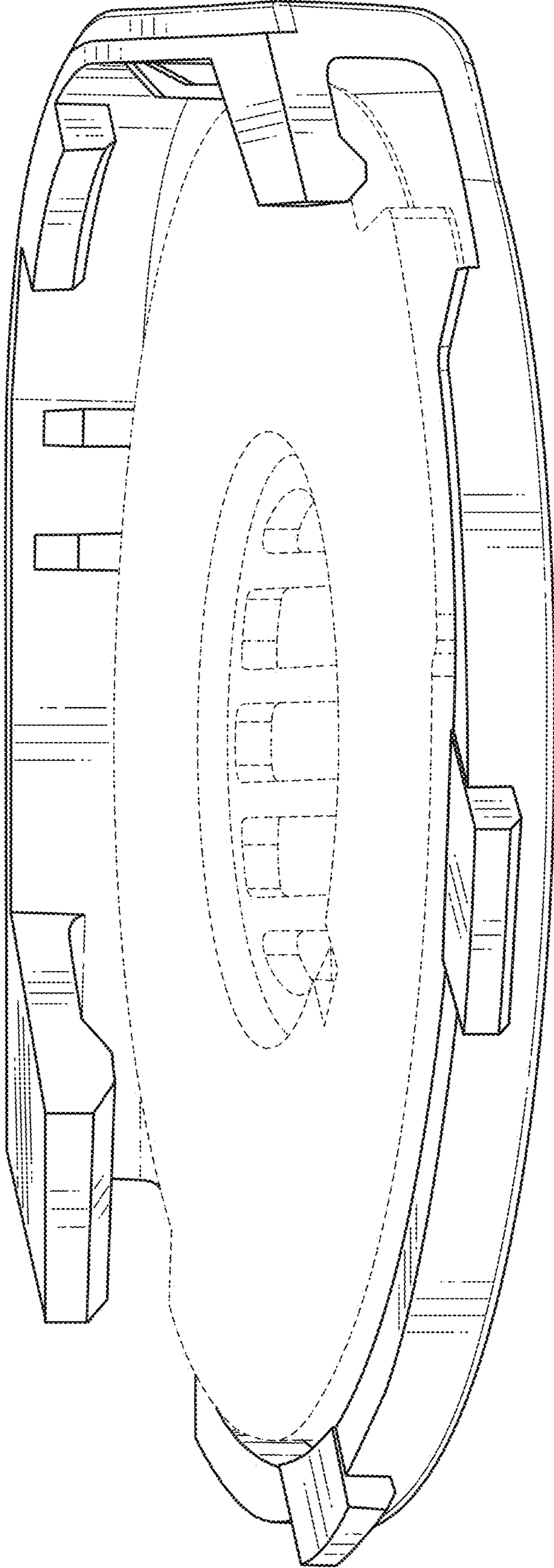


FIG. 4

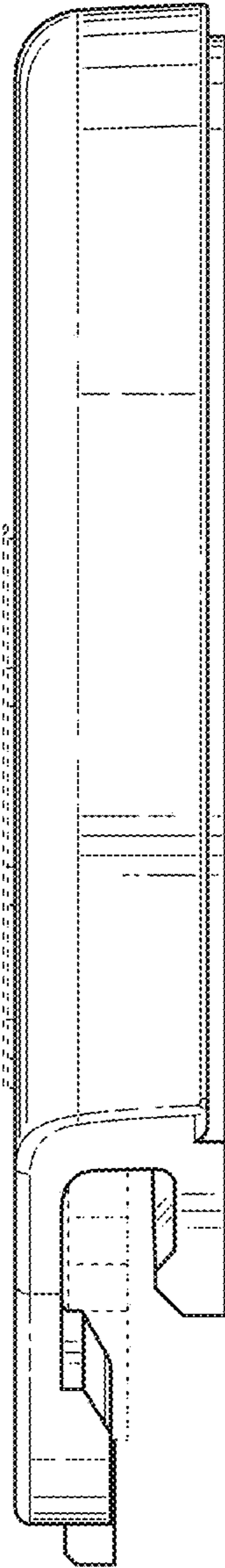


FIG. 5

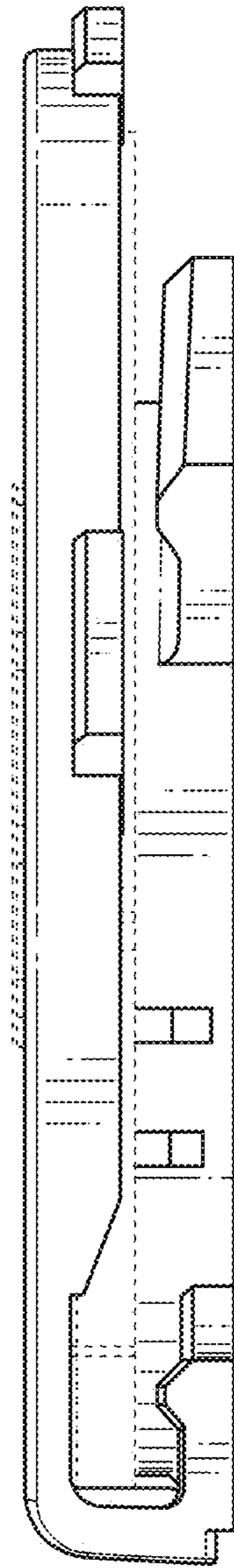


FIG. 6

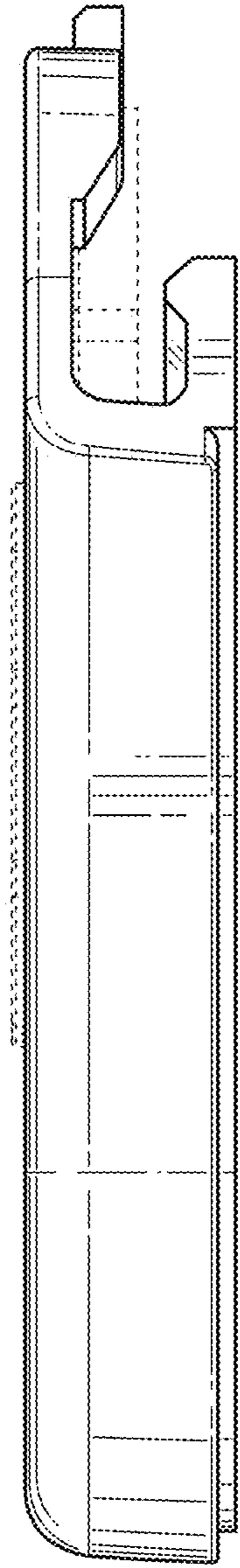


FIG. 7



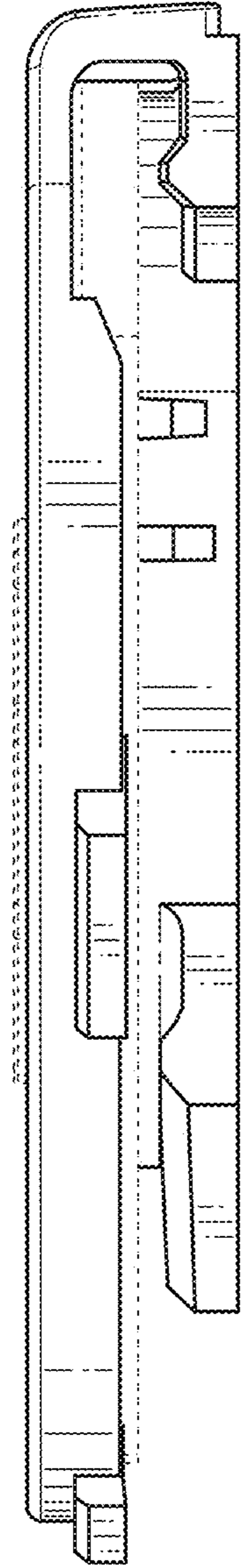


FIG. 8

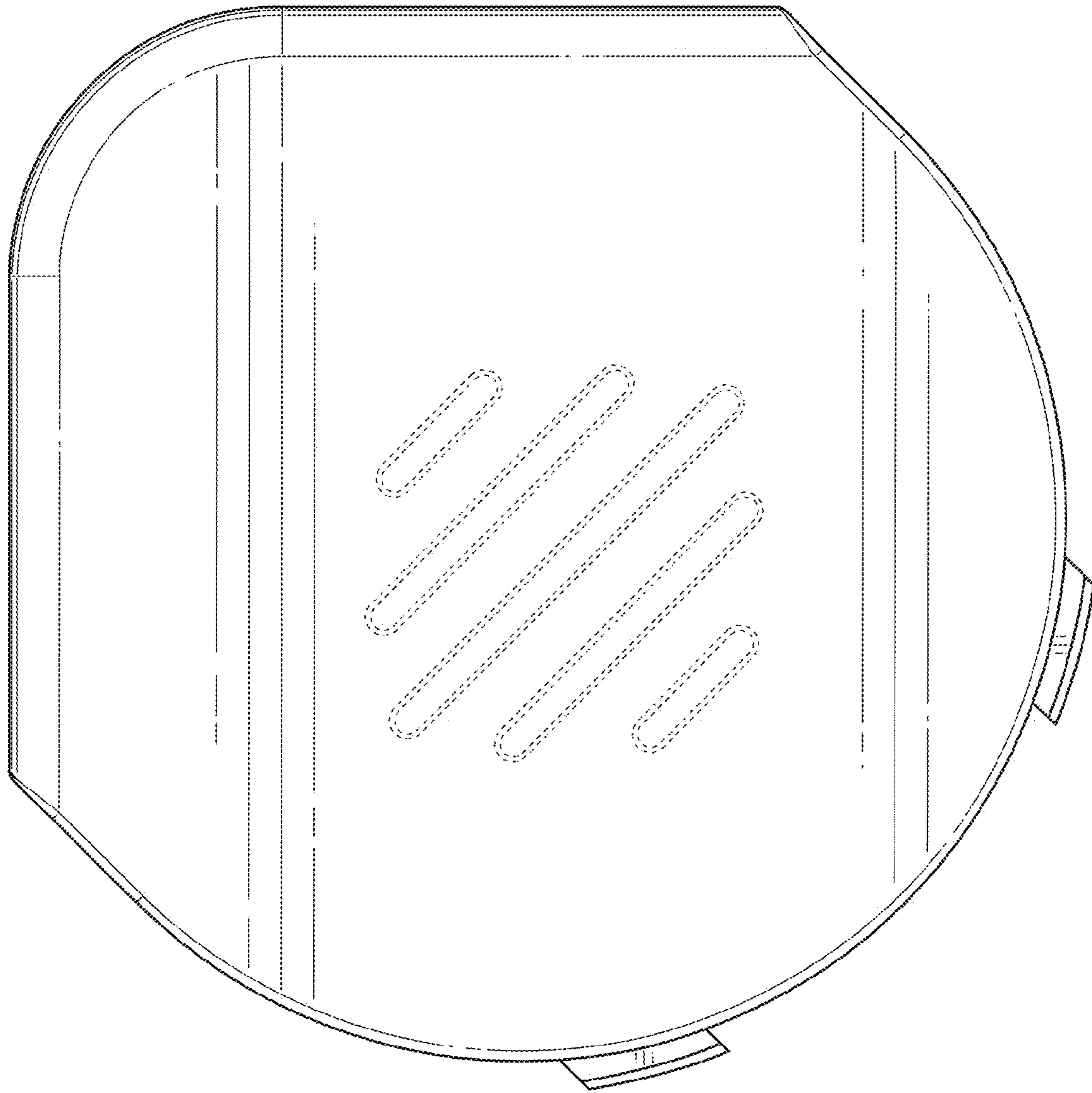


FIG. 9

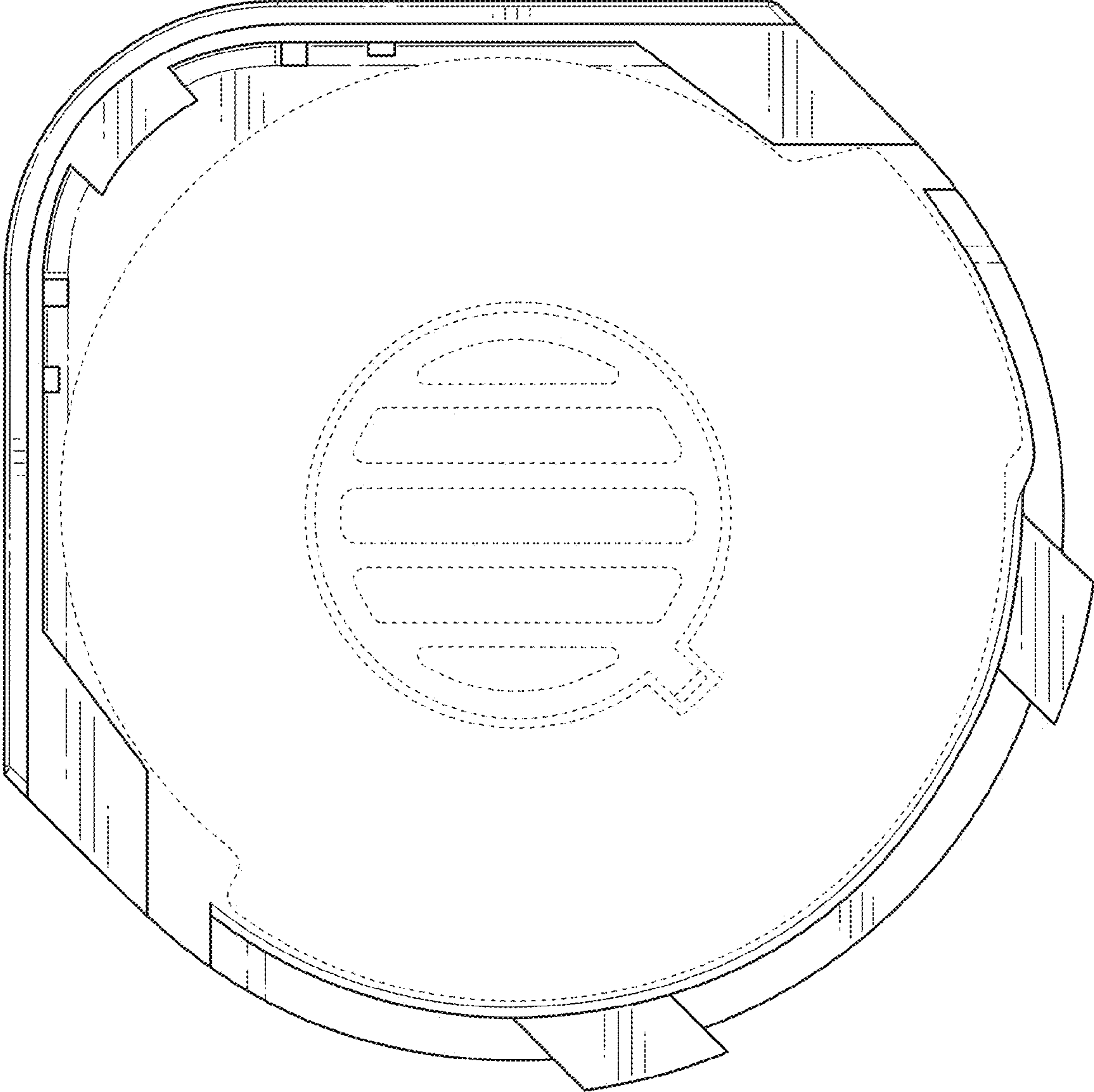


FIG. 10