



US00D889406S

(12) **United States Design Patent**
Huang

(10) **Patent No.:** **US D889,406 S**

(45) **Date of Patent:** **** Jul. 7, 2020**

- (54) **DOUBLE LAYER MOTOR**
- (71) Applicant: **Peng Yu Huang**, Yilan County (TW)
- (72) Inventor: **Peng Yu Huang**, Yilan County (TW)
- (**) Term: **15 Years**
- (21) Appl. No.: **29/664,503**
- (22) Filed: **Sep. 26, 2018**
- (51) **LOC (12) Cl.** **13-02**
- (52) **U.S. Cl.**
USPC **D13/112**
- (58) **Field of Classification Search**
USPC D26/24, 59, 118, 119, 121, 122, 123,
D26/124, 128, 129, 130, 131, 132, 133,
D26/134, 135, 136, 137; D23/370, 377,
D23/378, 379, 380, 381, 382; D13/112,
D13/113, 114, 118, 122, 184, 199;
D15/1, 5
CPC F04D 25/088; F04D 29/38; F21V 21/03;
B63H 1/16; H02K 5/06; H02K 5/22;
H02K 5/225; H02K 11/33; H02K 9/06;
H02K 9/12; H02K 9/14; H02K 9/18;
H02K 9/20
See application file for complete search history.

- D809,459 S * 2/2018 Battistella D13/112
- D810,784 S * 2/2018 Hong D15/1
- D816,031 S * 4/2018 Sakai D13/112
- D821,315 S * 6/2018 Ebner D13/112
- D821,470 S * 6/2018 Ebner D15/148
- D823,802 S * 7/2018 Battistella D13/112
- D835,581 S * 12/2018 Mayor D13/112
- D836,551 S * 12/2018 Kaneko D13/112
- D842,246 S * 3/2019 Gan D13/112
- D842,809 S * 3/2019 Sakai D13/112
- D853,445 S * 7/2019 Kuratani D15/1
- D853,963 S * 7/2019 Hilker D13/112
- D853,964 S * 7/2019 Tanabe D13/112
- D856,279 S * 8/2019 Chen D13/112
- D857,628 S * 8/2019 Chen D13/112
- D860,942 S * 9/2019 Hilker D13/112
- 10,458,418 B2 * 10/2019 Yamamoto F04D 29/601
- D868,956 S * 12/2019 Guthrie D23/411
- D871,335 S * 12/2019 Hilker D13/112
- 10,527,045 B2 * 1/2020 Horng H02K 11/33
- D876,355 S * 2/2020 Cai D13/122

(Continued)

Primary Examiner — Susan Bennett Hattan
Assistant Examiner — Suzanne E Tisdell
(74) *Attorney, Agent, or Firm* — Lin & Associates
Intellectual Property, Inc.

(57) **CLAIM**

The ornamental design for a double layer motor, as shown and described.

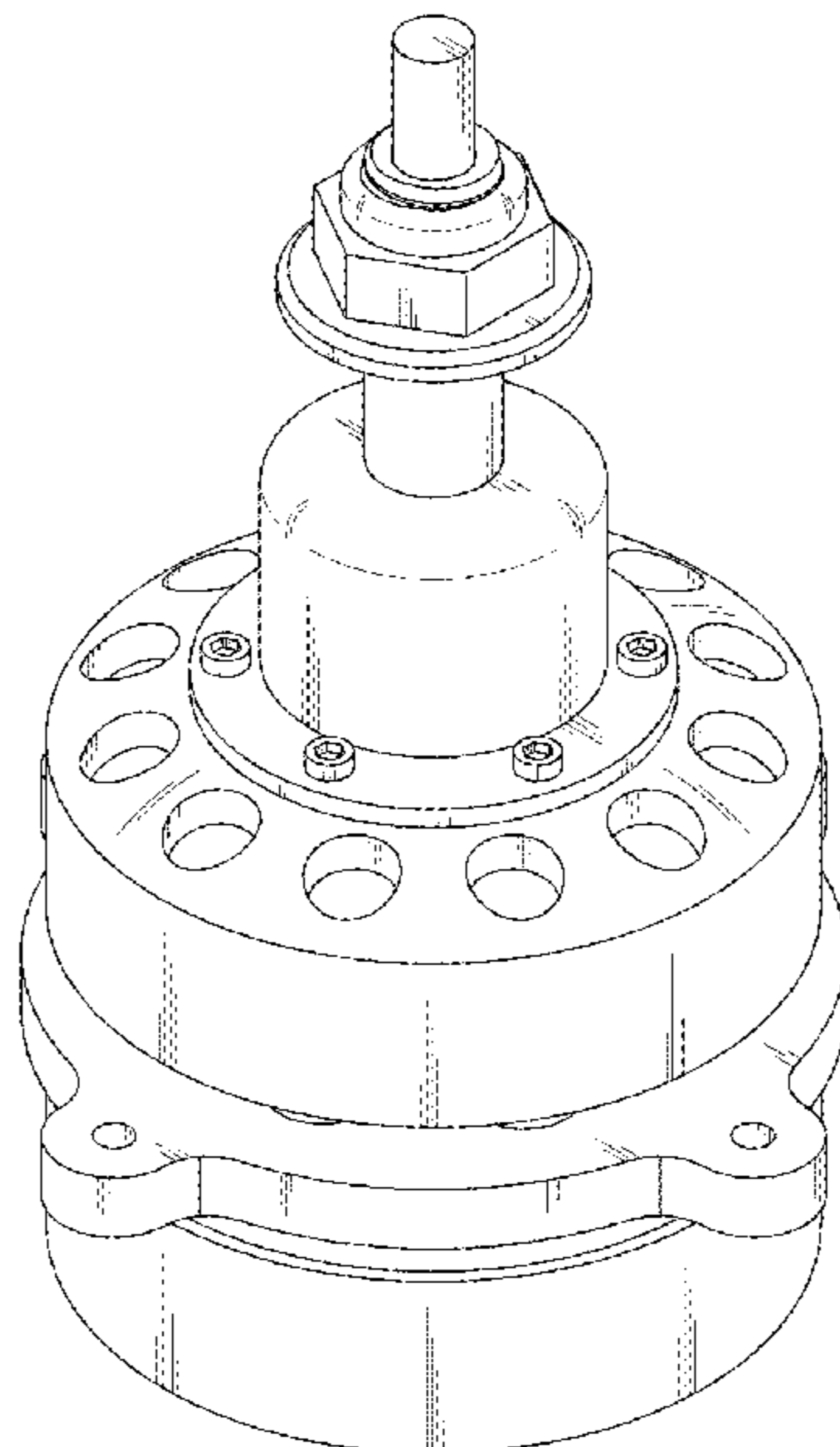
DESCRIPTION

FIG. 1 is a perspective view of a double layer motor showing my new design;
FIG. 2 is a front elevational view thereof;
FIG. 3 is a rear elevational view thereof;
FIG. 4 is a left elevational view thereof;
FIG. 5 is a right elevational view thereof;
FIG. 6 is a top view thereof; and,
FIG. 7 is a bottom view thereof.

1 Claim, 7 Drawing Sheets

(56) **References Cited**
U.S. PATENT DOCUMENTS

- D589,138 S * 3/2009 Kenyon A61M 16/0057
D24/110
- D709,450 S * 7/2014 Tanabe D13/112
- D716,227 S * 10/2014 Lau D13/112
- D722,560 S * 2/2015 Lau D13/112
- D741,260 S * 10/2015 Yabuuchi D13/112
- D753,591 S * 4/2016 Noda D13/112
- D775,252 S * 12/2016 Shentu D15/149
- D786,794 S * 5/2017 McCormick D13/112
- 9,822,642 B2 * 11/2017 Anderson F01C 21/06
- D806,650 S * 1/2018 Chang D13/112



(56)

References Cited

U.S. PATENT DOCUMENTS

D877,314 S * 3/2020 Holmes D23/411
D877,882 S * 3/2020 Holmes D23/411

* cited by examiner

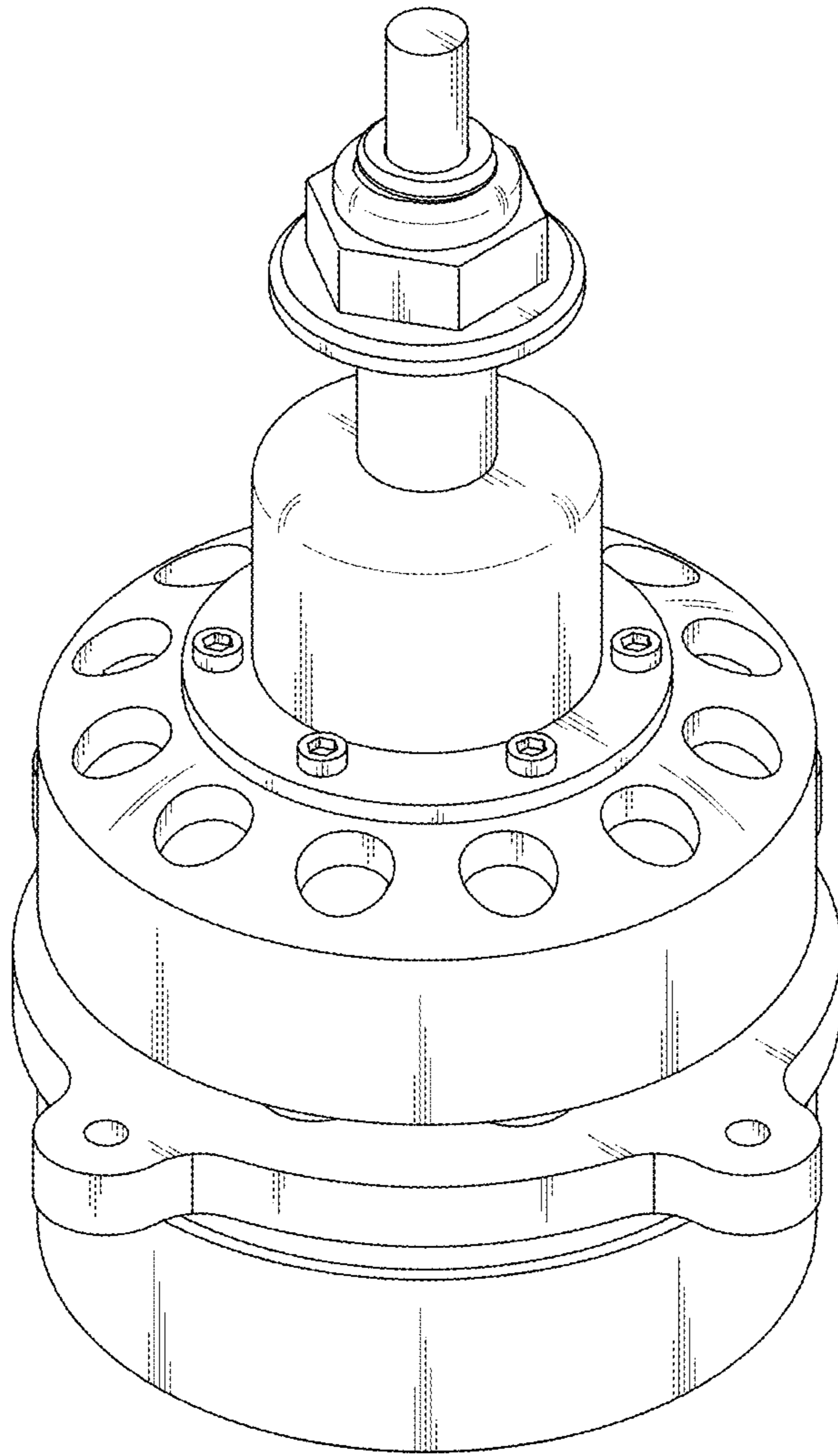


FIG. 1

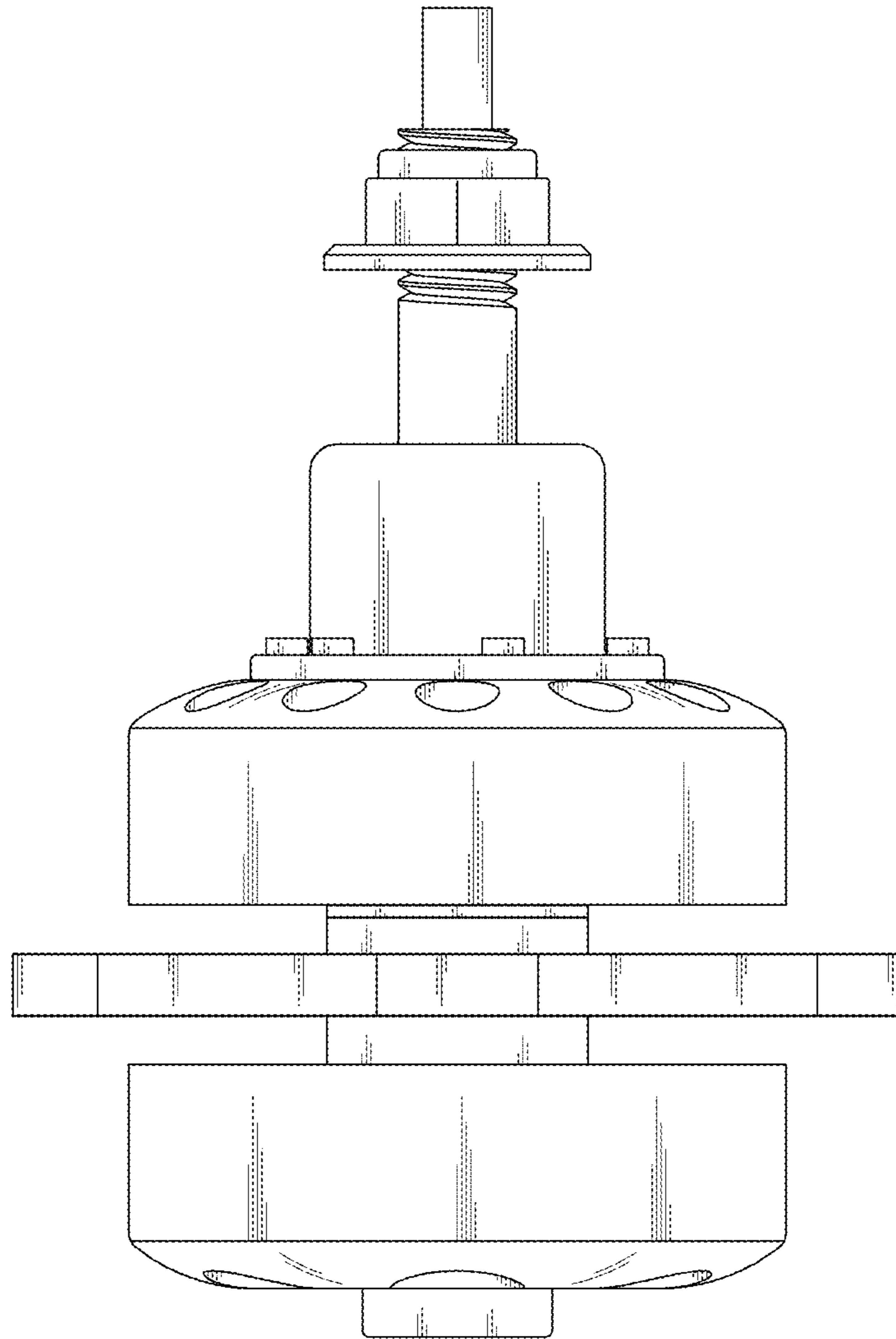


FIG. 2

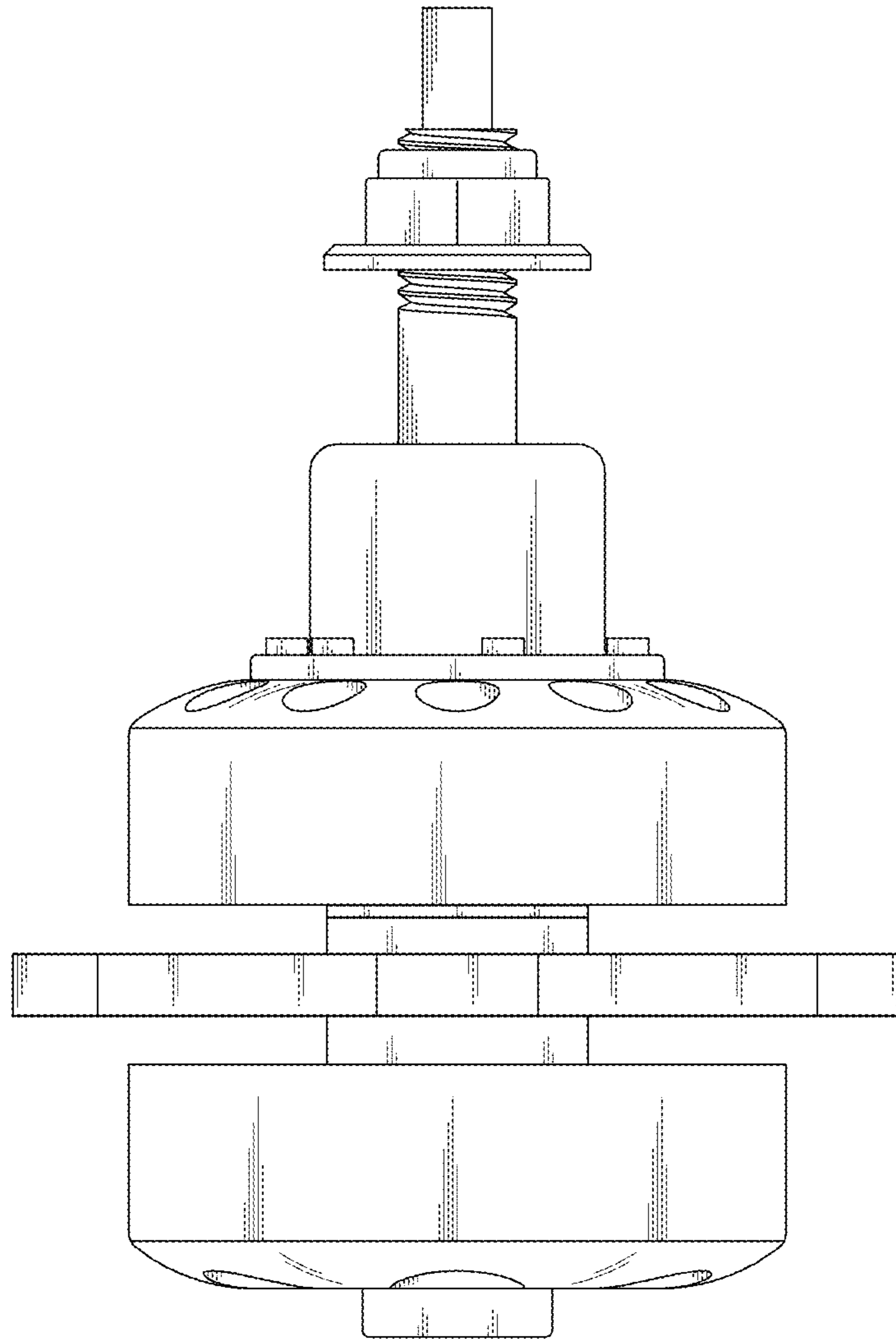


FIG. 3

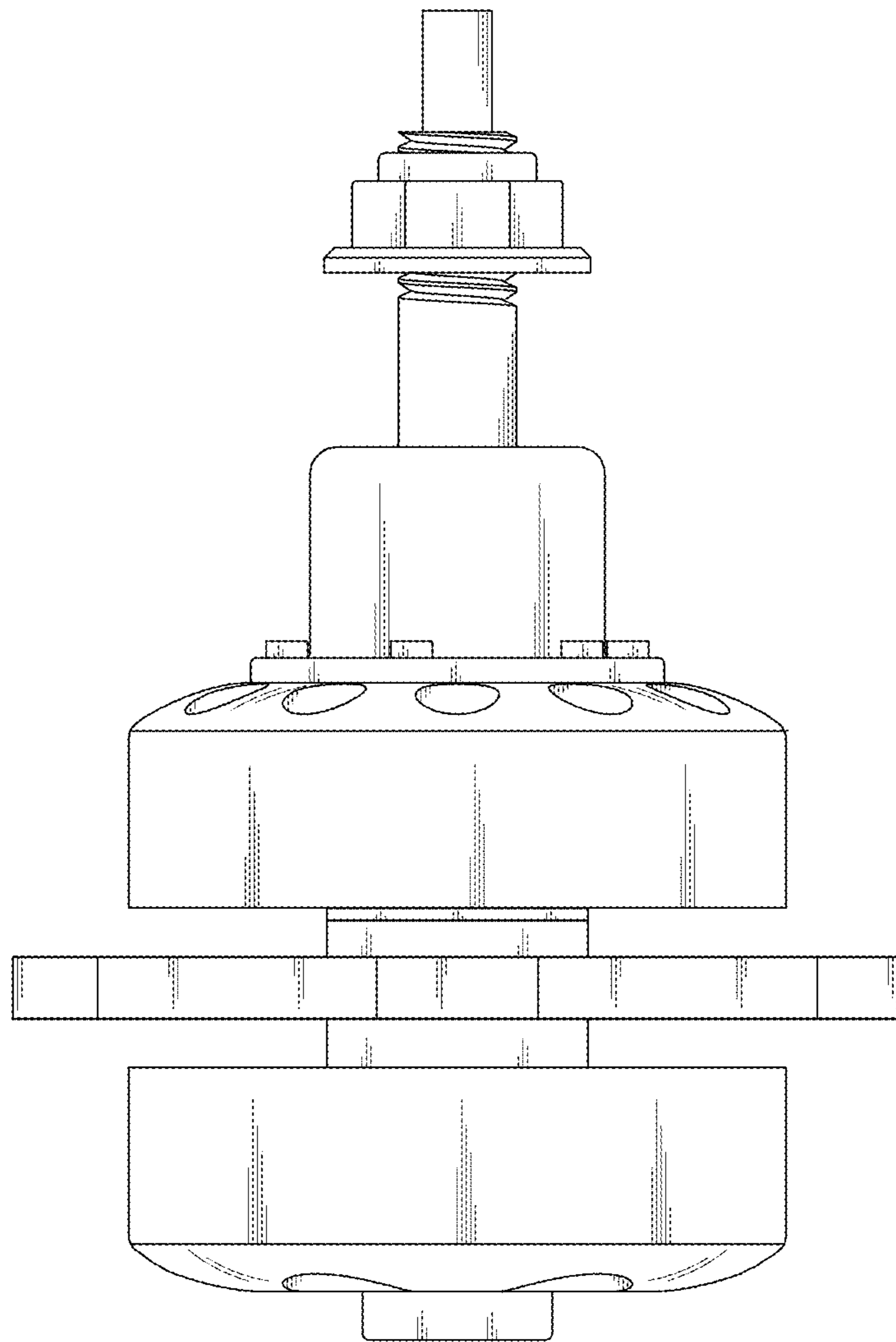


FIG. 4

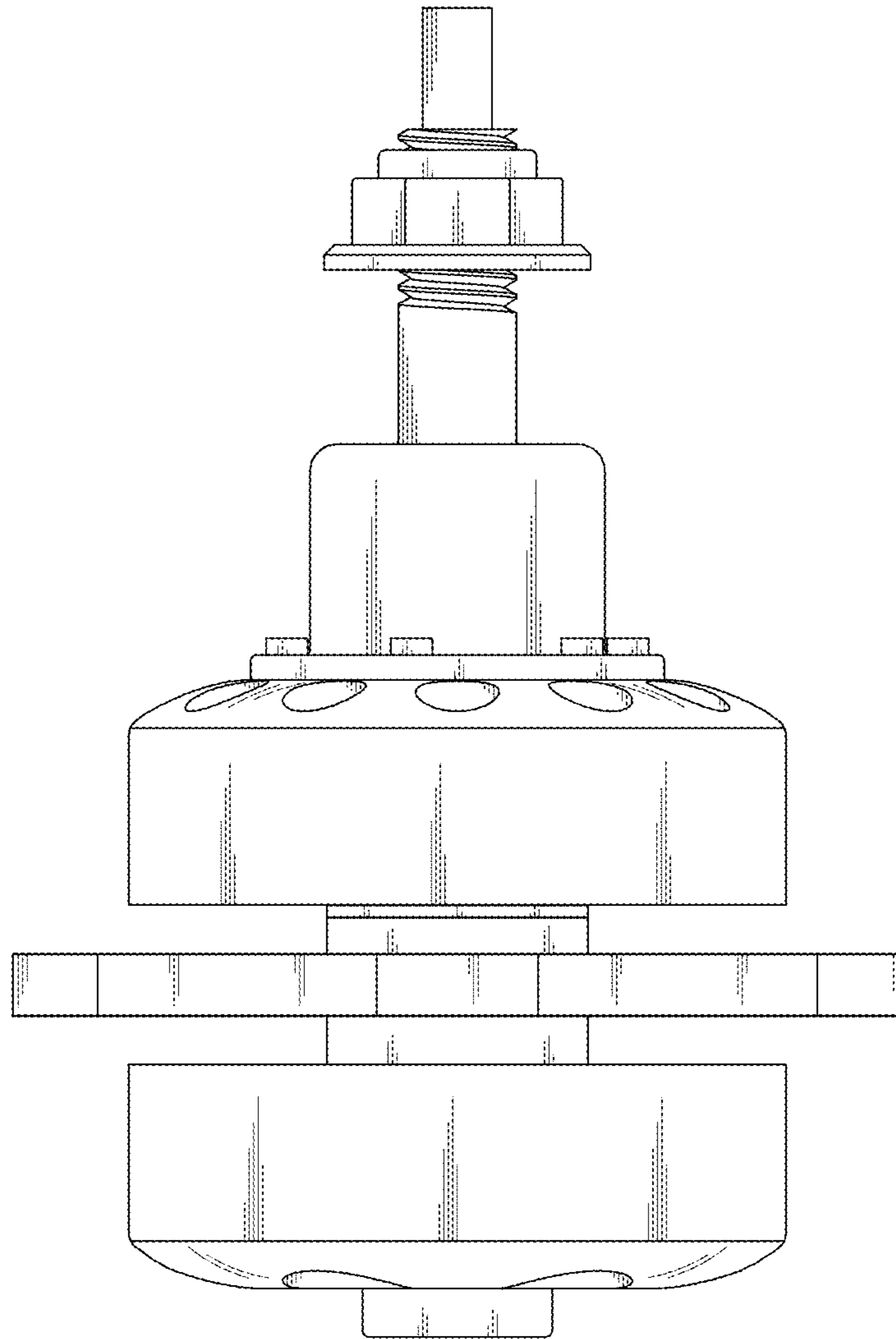


FIG. 5

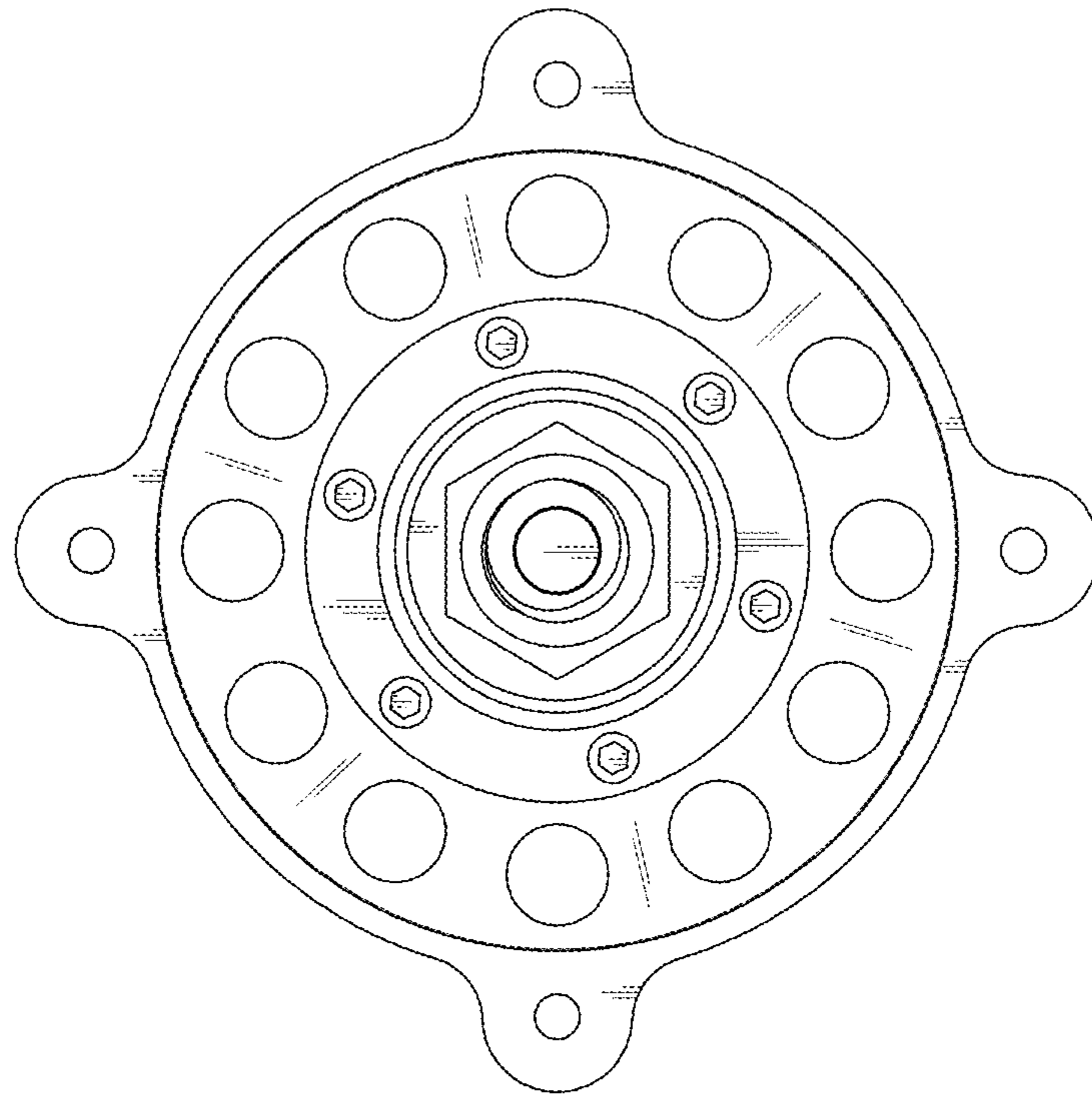


FIG. 6

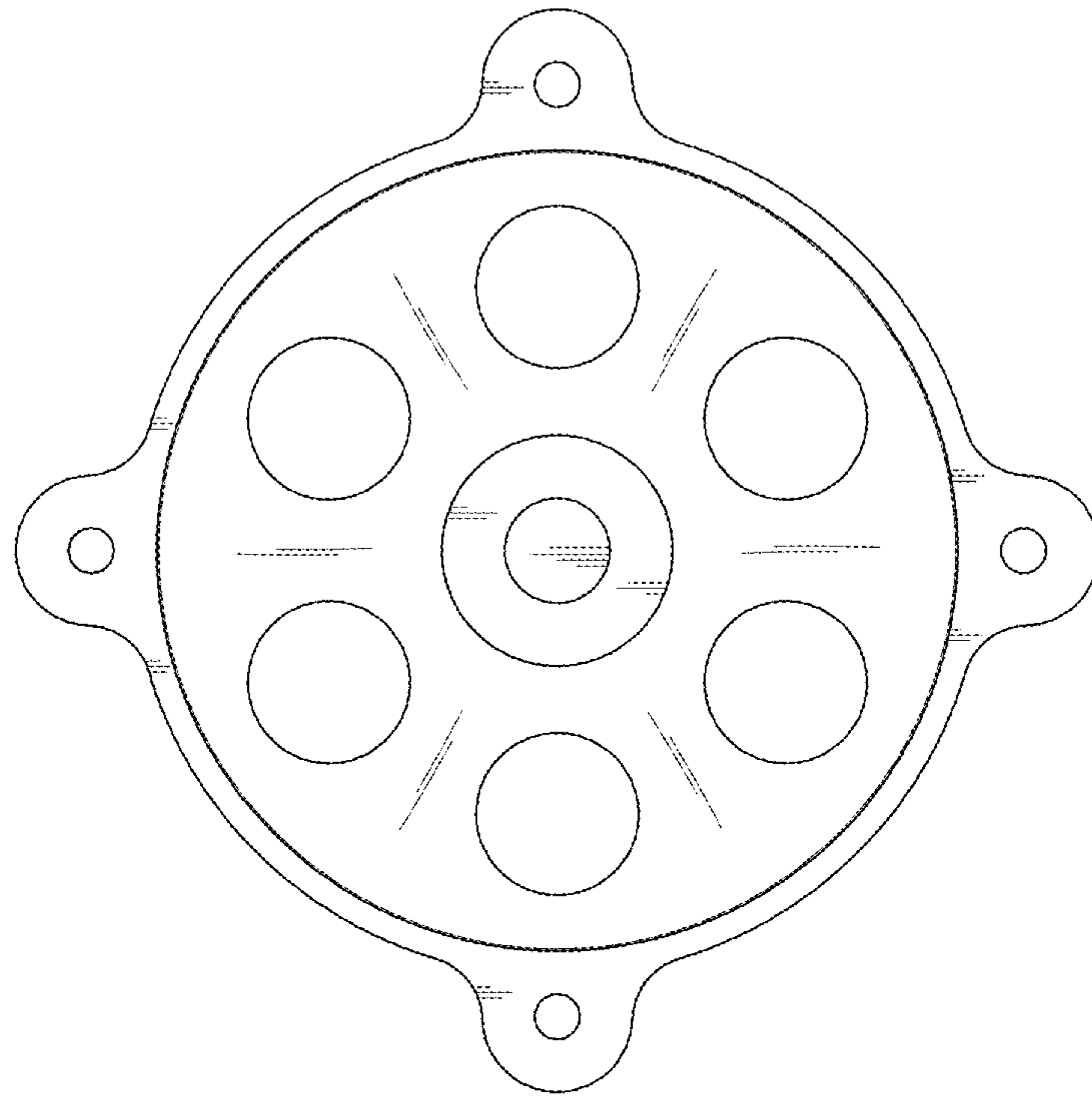


FIG. 7