



US00D889405S

(12) **United States Design Patent** (10) **Patent No.:** **US D889,405 S**
McCool et al. (45) **Date of Patent:** **** Jul. 7, 2020**

(54) **INVERTER COMPONENT OF A CHARGING SYSTEM**

(71) Applicant: **HEVO, INC.**, Brooklyn, NY (US)

(72) Inventors: **Jeremy McCool**, New York, NY (US);
Umer Anwer, Niagara Falls (CA);
Dhaval Palsana, Jersey City, NJ (US);
Kunal Kamle, Jersey City, NJ (US);
Seunghoon Jeong, New York, NY (US);
Shyqyri Hoxha, New York, NY (US)

(73) Assignee: **HEVO, Inc.**, Brooklyn, NY (US)

(**) Term: **15 Years**

(21) Appl. No.: **29/670,382**

(22) Filed: **Nov. 15, 2018**

(51) **LOC (12) Cl.** **13-02**

(52) **U.S. Cl.**
USPC **D13/110**

(58) **Field of Classification Search**

USPC D13/110, 108, 118, 123, 162, 168, 169,
D13/174, 177, 184, 199; D14/257, 432,
D14/438

CPC B60L 15/00; B60L 15/007; B60L 50/51;
B60K 17/04; H02K 5/06; H05K 5/00;
H05K 5/02; H05K 5/0247; H05K 7/00;
H05K 7/20; H05K 7/20136; H05K
7/20154; H05K 7/209; H02M 7/00;
H02M 7/003

See application file for complete search history.

(56) **References Cited**

U.S. PATENT DOCUMENTS

D62,812 S 8/1923 Beach
D103,668 S 3/1937 Case
D155,246 S 9/1949 Von Miklos

D244,368 S 5/1977 Dean
D493,769 S 8/2004 Kessler et al.
D529,795 S 10/2006 Kragtwijk
D667,784 S * 9/2012 Choi D13/102
D673,114 S * 12/2012 Schnakenberg, III D13/110
D684,533 S * 6/2013 Nakahira D13/110
D698,725 S * 2/2014 Shin D13/110
D703,136 S * 4/2014 Choi D13/110
D705,728 S * 5/2014 Choi D13/110
D706,215 S * 6/2014 Nakahira D13/110
D707,176 S * 6/2014 Choi D13/110
D709,449 S * 7/2014 Oba D13/110
8,848,370 B2 * 9/2014 Shin H02M 7/003
165/104.33

(Continued)

Primary Examiner — Susan Bennett Hattan

Assistant Examiner — Suzanne E Tisdell

(74) *Attorney, Agent, or Firm* — Kilpatrick Townsend & Stockton LLP

(57) **CLAIM**

The ornamental design for an inverter component of a charging system, as shown and described.

DESCRIPTION

FIG. 1 is another isometric view of an inverter component of a charging system, showing the inverter in a condition with an illuminated charging indication in the form of a percentage sign.

FIG. 2 is a front view of the inverter of FIG. 1.

FIG. 3 is a rear view of the inverter of FIG. 1.

FIG. 4 is side view of the inverter of FIG. 1.

FIG. 5 is another side view of the inverter of FIG. 1.

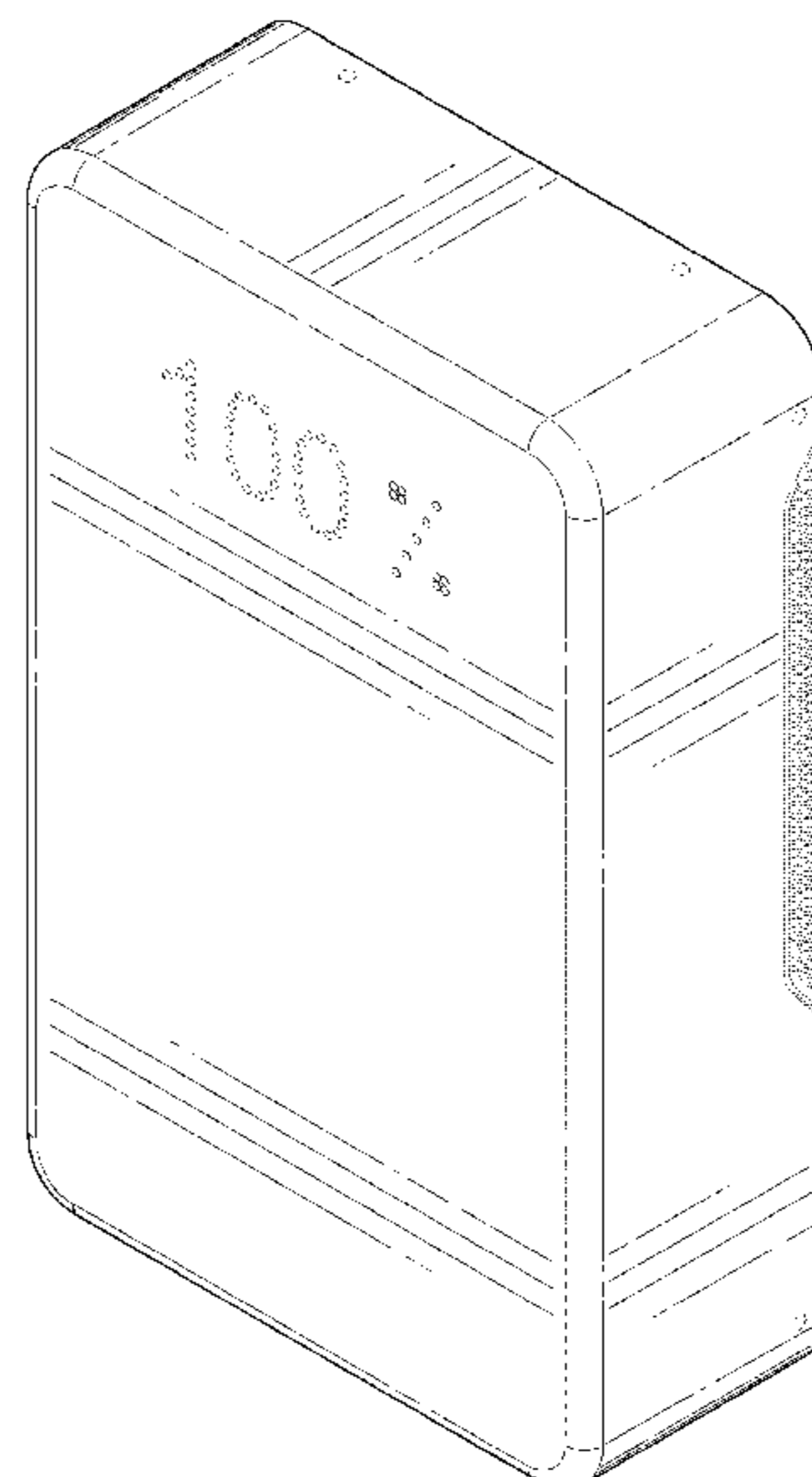
FIG. 6 is a top view of the inverter of FIG. 1.

FIG. 7 is a bottom view of the inverter of FIG. 1; and,

FIG. 8 is another isometric view of the inverter of FIG. 1, showing the inverter in a condition in which the charging indication is not lit.

The broken lines in the drawings are for illustrative purposes only and form no part of the claimed design.

1 Claim, 8 Drawing Sheets



(56)

References Cited

U.S. PATENT DOCUMENTS

8,854,816 B2 * 10/2014 Shintani H05K 7/20909
 361/678
 D716,728 S * 11/2014 Oyadomari D13/110
 8,882,479 B2 * 11/2014 Asai F04B 35/04
 417/423.14
 D728,474 S * 5/2015 Orlando D13/110
 D733,467 S 7/2015 Rodriguez
 D739,352 S * 9/2015 Benn D13/123
 D744,948 S 12/2015 Pronk
 D745,412 S 12/2015 Hamui
 D745,847 S * 12/2015 Ho D13/110
 9,203,217 B2 * 12/2015 Takano H05K 7/1432
 D746,677 S 1/2016 Candelaria
 D747,190 S 1/2016 DeLaGrange
 9,241,428 B1 * 1/2016 Doo H05K 7/20927
 9,318,935 B2 * 4/2016 Nakagami H02K 11/044
 D756,921 S * 5/2016 Benn D13/110
 D758,303 S 6/2016 Walker

D773,393 S * 12/2016 Simoni D13/110
 9,599,109 B2 * 3/2017 Yakushiji F04B 39/06
 D789,887 S * 6/2017 Zeng D13/110
 D790,259 S 6/2017 Rodriguez
 D798,809 S * 10/2017 Benn D13/110
 D798,810 S * 10/2017 Benn D13/110
 9,795,066 B2 * 10/2017 Dong H02M 7/003
 D803,780 S * 11/2017 Gudgel D13/110
 9,812,919 B2 * 11/2017 Arashi H02K 5/225
 D813,810 S * 3/2018 McCool D13/110
 D817,273 S * 5/2018 Kato D13/110
 D817,275 S * 5/2018 Yeh D13/110
 9,961,758 B1 * 5/2018 Pickering H05K 1/0206
 D831,569 S * 10/2018 Simoni D13/110
 10,110,141 B2 * 10/2018 Bethke H05K 7/20909
 D852,740 S * 7/2019 Aitzetmueller D13/110
 D856,927 S * 8/2019 Eppinger D13/110
 10,388,589 B2 * 8/2019 Kawase H01L 25/072
 10,464,439 B2 * 11/2019 Liu H02K 5/06
 10,477,733 B1 * 11/2019 Skalski H01G 2/08

* cited by examiner

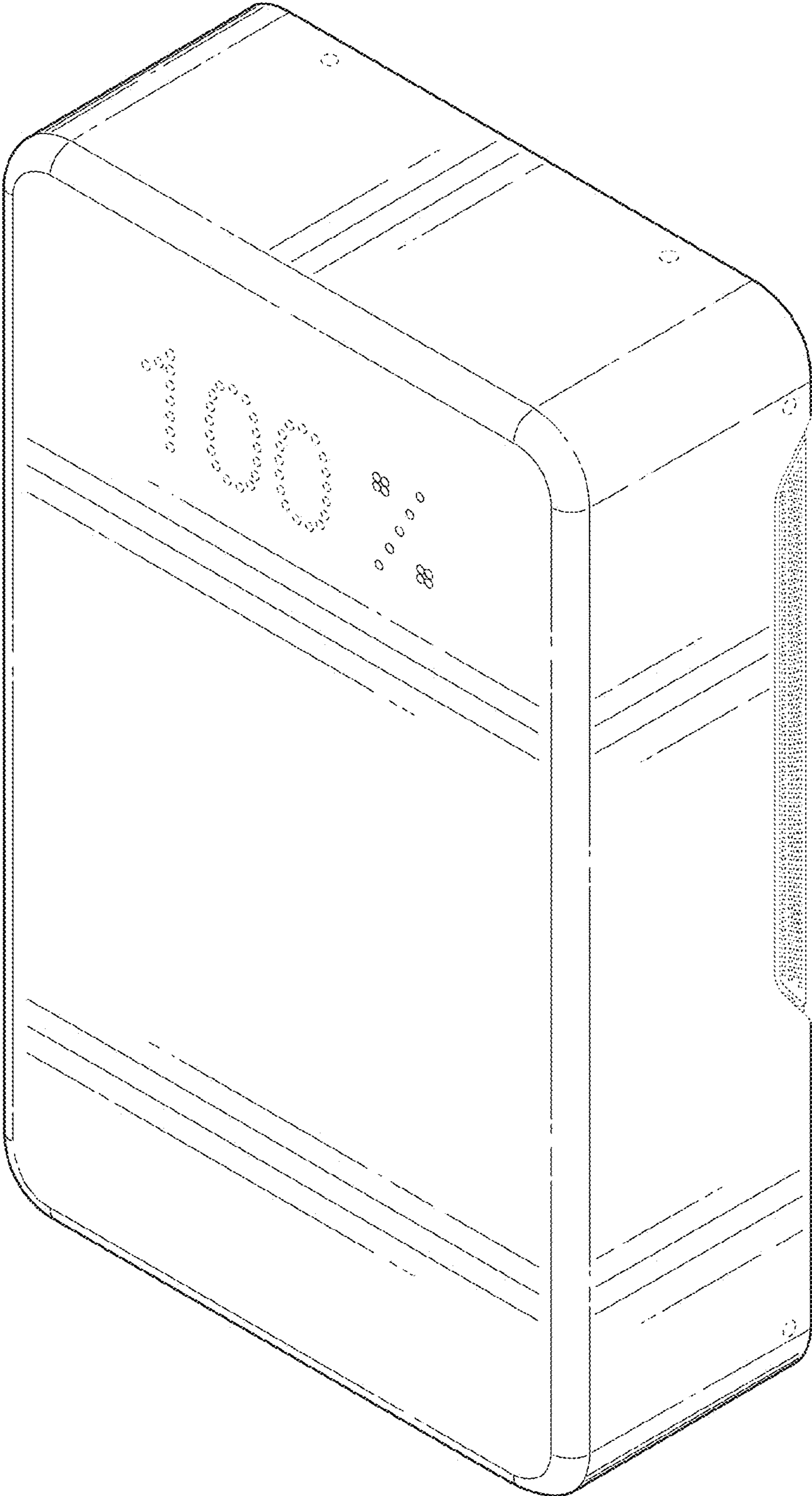


FIG. 1

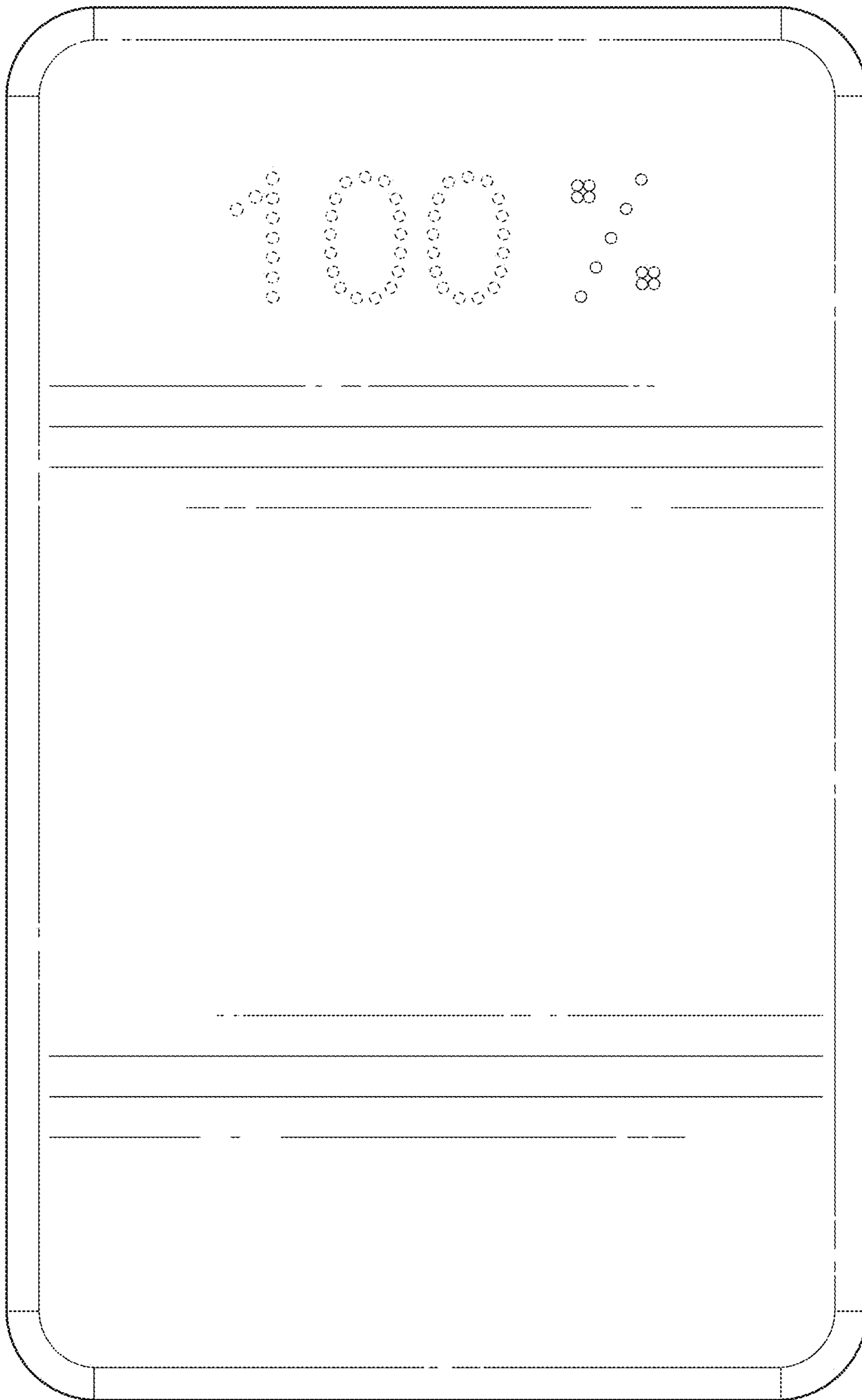


FIG. 2

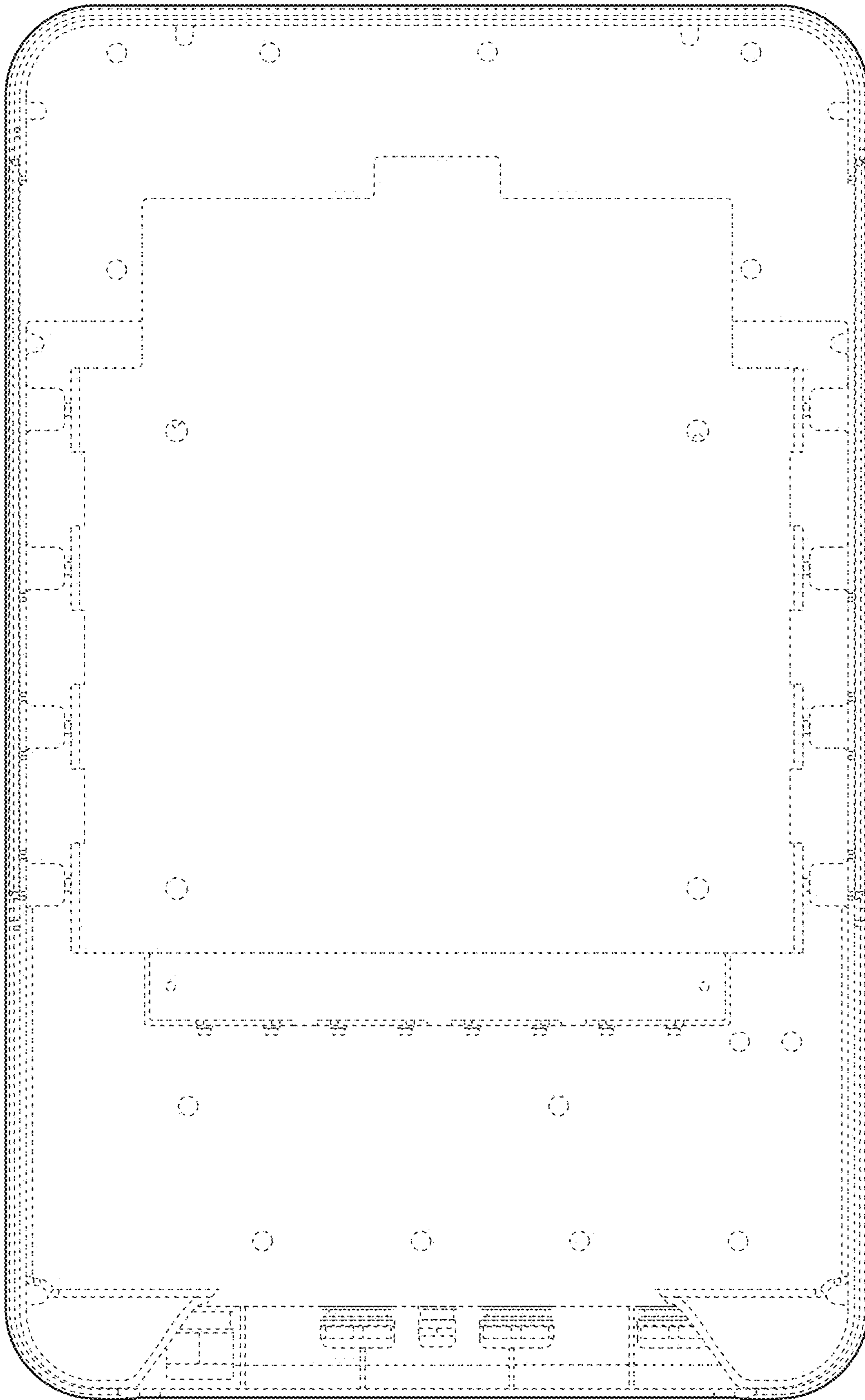


FIG. 3

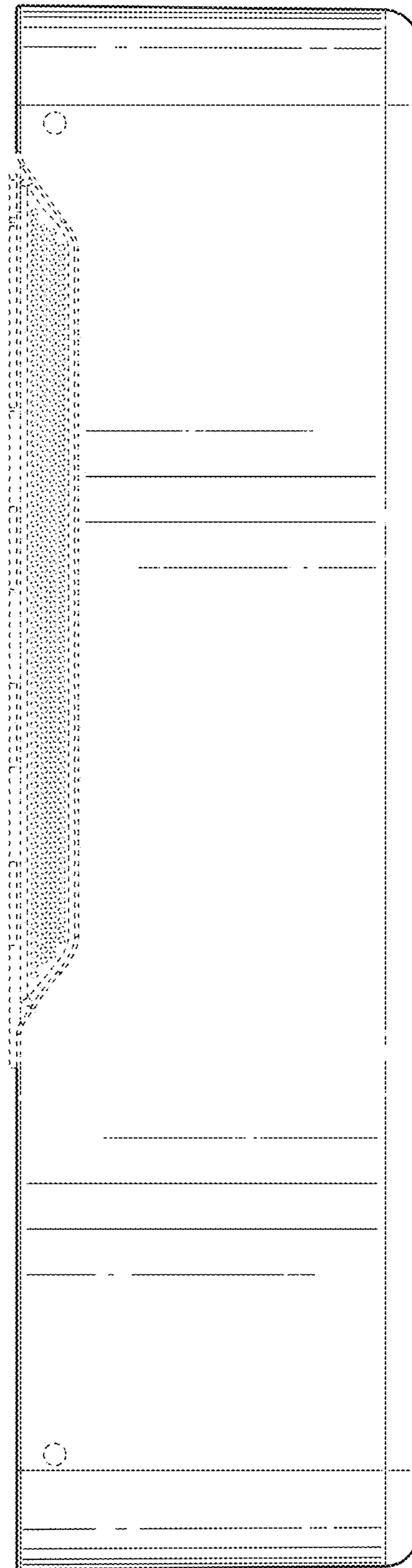


FIG. 4

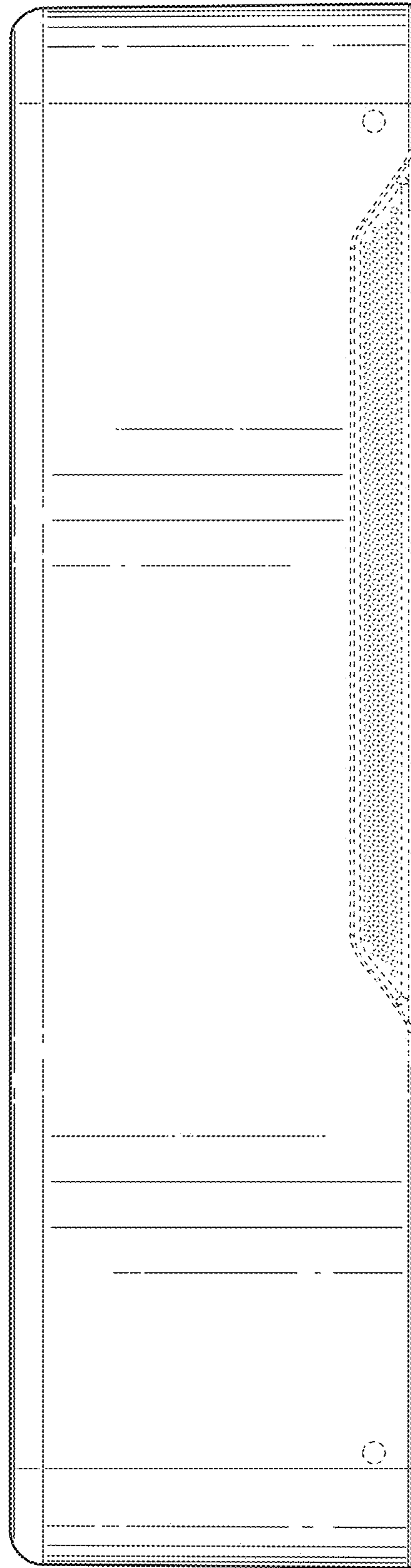


FIG. 5

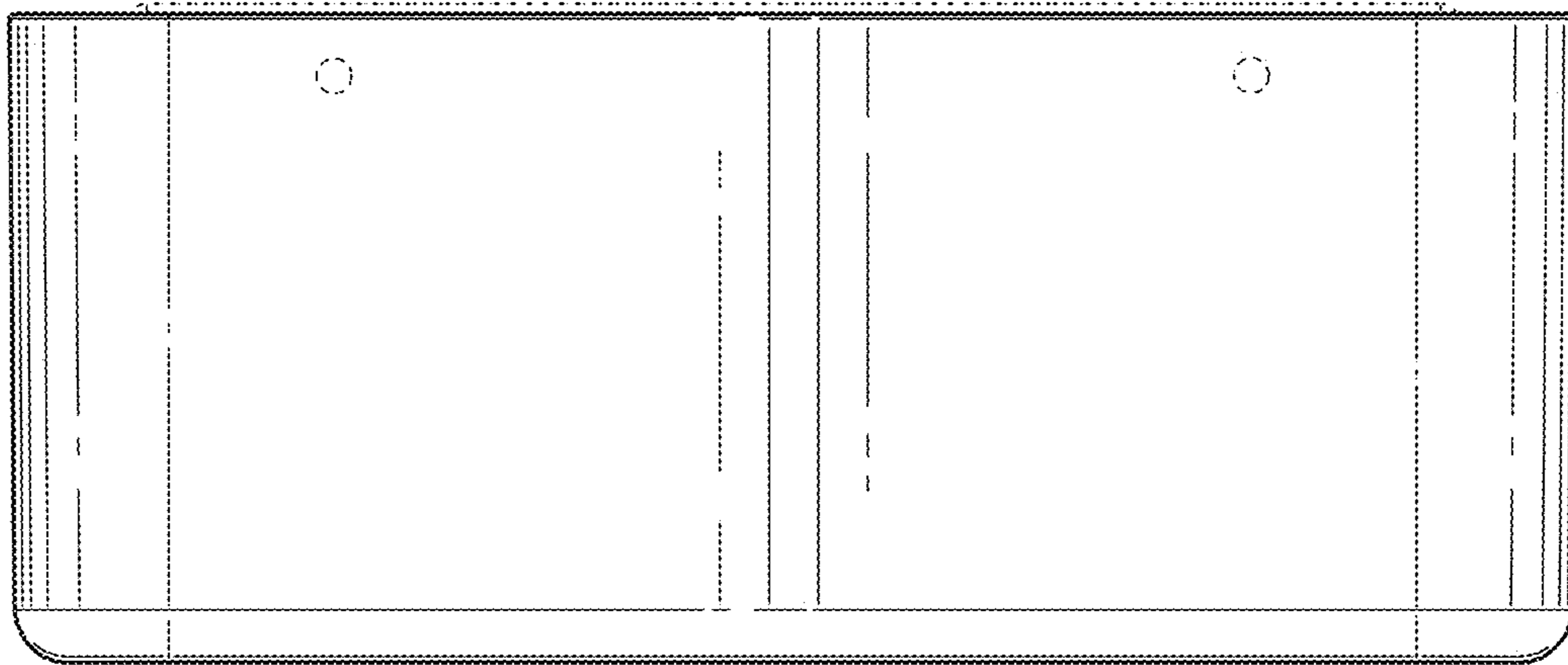


FIG. 6

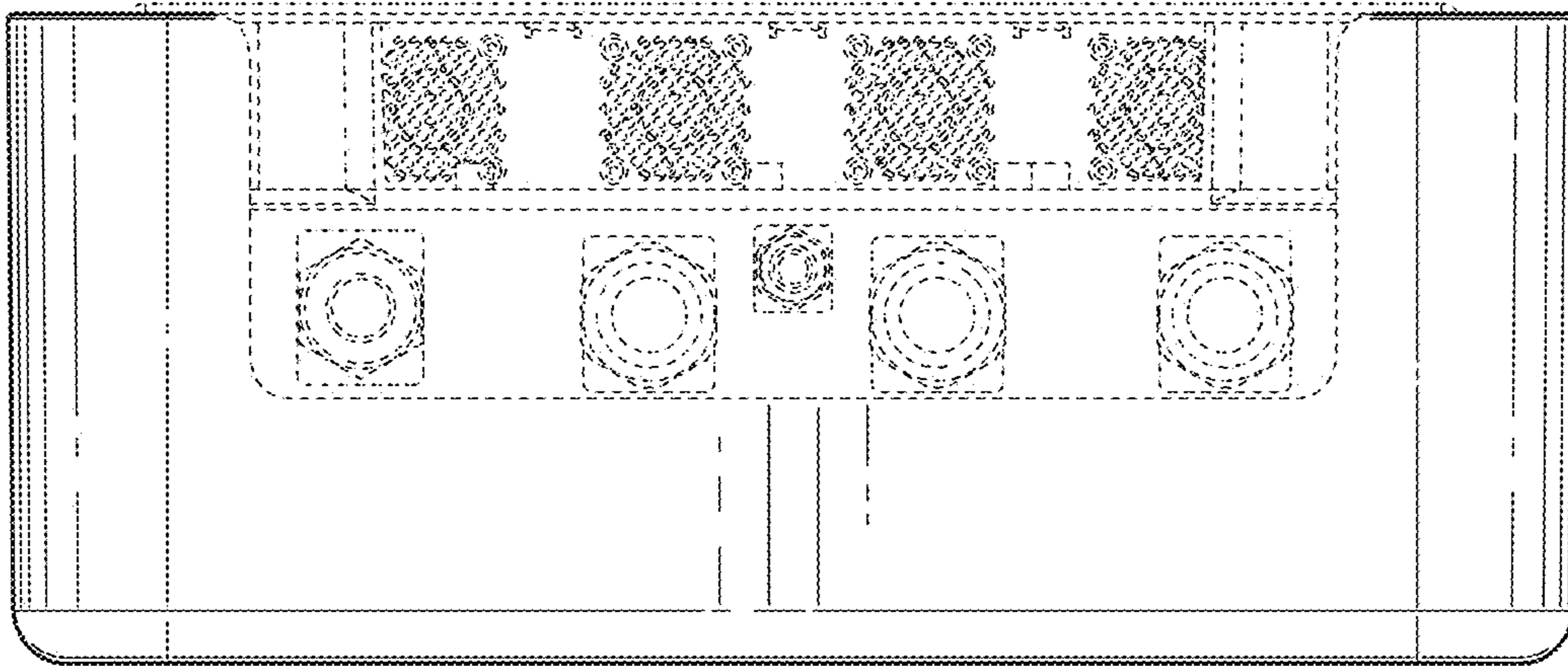


FIG. 7

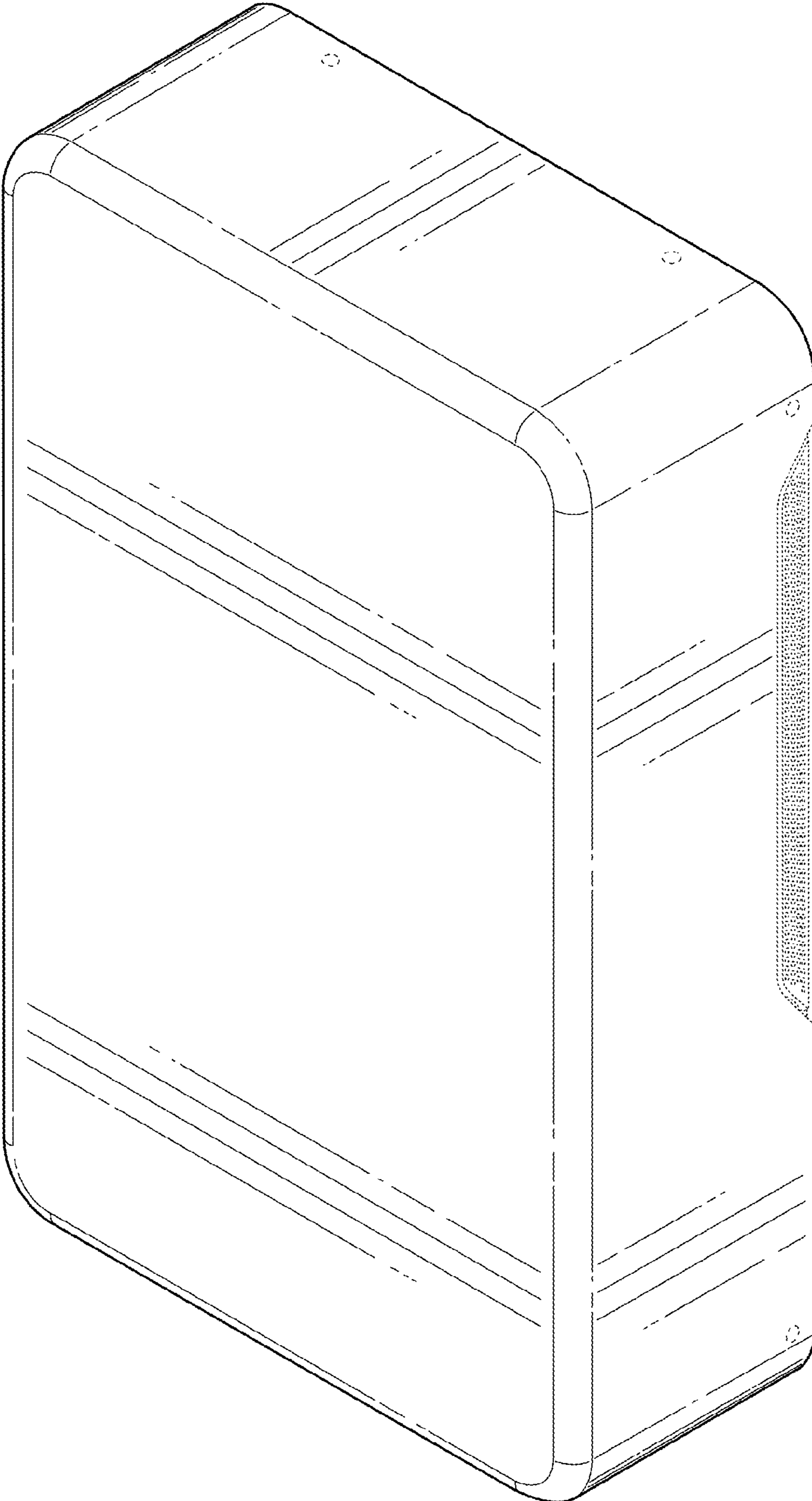


FIG. 8