



US00D889403S

(12) **United States Design Patent**  
**Li et al.**

(10) **Patent No.:** **US D889,403 S**

(45) **Date of Patent:** **\*\* Jul. 7, 2020**

(54) **WIRELESS CHARGING BRACKET**

(71) Applicants: **Songzhen Li**, Fuyang (CN); **Fei Zhang**, Shenzhen (CN)

(72) Inventors: **Songzhen Li**, Fuyang (CN); **Fei Zhang**, Shenzhen (CN)

(\*\*) Term: **15 Years**

(21) Appl. No.: **29/716,603**

(22) Filed: **Dec. 11, 2019**

(51) **LOC (12) Cl.** ..... **13-02**

(52) **U.S. Cl.**  
USPC ..... **D13/108**

(58) **Field of Classification Search**  
USPC ..... D13/103, 107-108, 110, 118, 184, 199;  
D14/251, 253, 432, 434  
CPC .. H02J 7/005; H02J 7/025; H02J 50/00; H02J  
50/10; H02J 50/12; H02J 50/40; H02J  
50/402; H02J 50/50; H02J 50/80  
See application file for complete search history.

(56) **References Cited**

**U.S. PATENT DOCUMENTS**

D610,084 S	2/2010	Christopher	
D762,650 S *	8/2016	Dang	D14/434
D791,072 S	7/2017	Hoehn	
D813,805 S *	3/2018	Zhong	D13/108
D814,413 S *	4/2018	Zhong	D13/108
9,996,055 B2 *	6/2018	Wierenga	G04G 19/00
D826,851 S *	8/2018	Wang	D13/108
D839,190 S *	1/2019	Xie	D13/108
D845,308 S *	4/2019	Ma	D14/447
D852,134 S *	6/2019	Mei	D13/108

D852,135 S *	6/2019	Mei	D13/108
D855,566 S *	8/2019	Chen	D13/108
D857,626 S *	8/2019	Zhang	D13/108
D858,437 S *	9/2019	Lu	D13/108
D873,216 S *	1/2020	Zhang	D13/108
D875,043 S *	2/2020	Yi	D13/108
D875,679 S *	2/2020	Yi	D13/108
D877,072 S *	3/2020	Yin	D13/108
D879,035 S *	3/2020	Li	D13/108
D881,123 S *	4/2020	Zhang	D13/108
D884,621 S *	5/2020	Feng	D13/108
D884,622 S *	5/2020	Huang	D13/108
2016/0261139 A1 *	9/2016	Kidakarn	H02J 50/10

\* cited by examiner

*Primary Examiner* — Rosemary K Tarcza

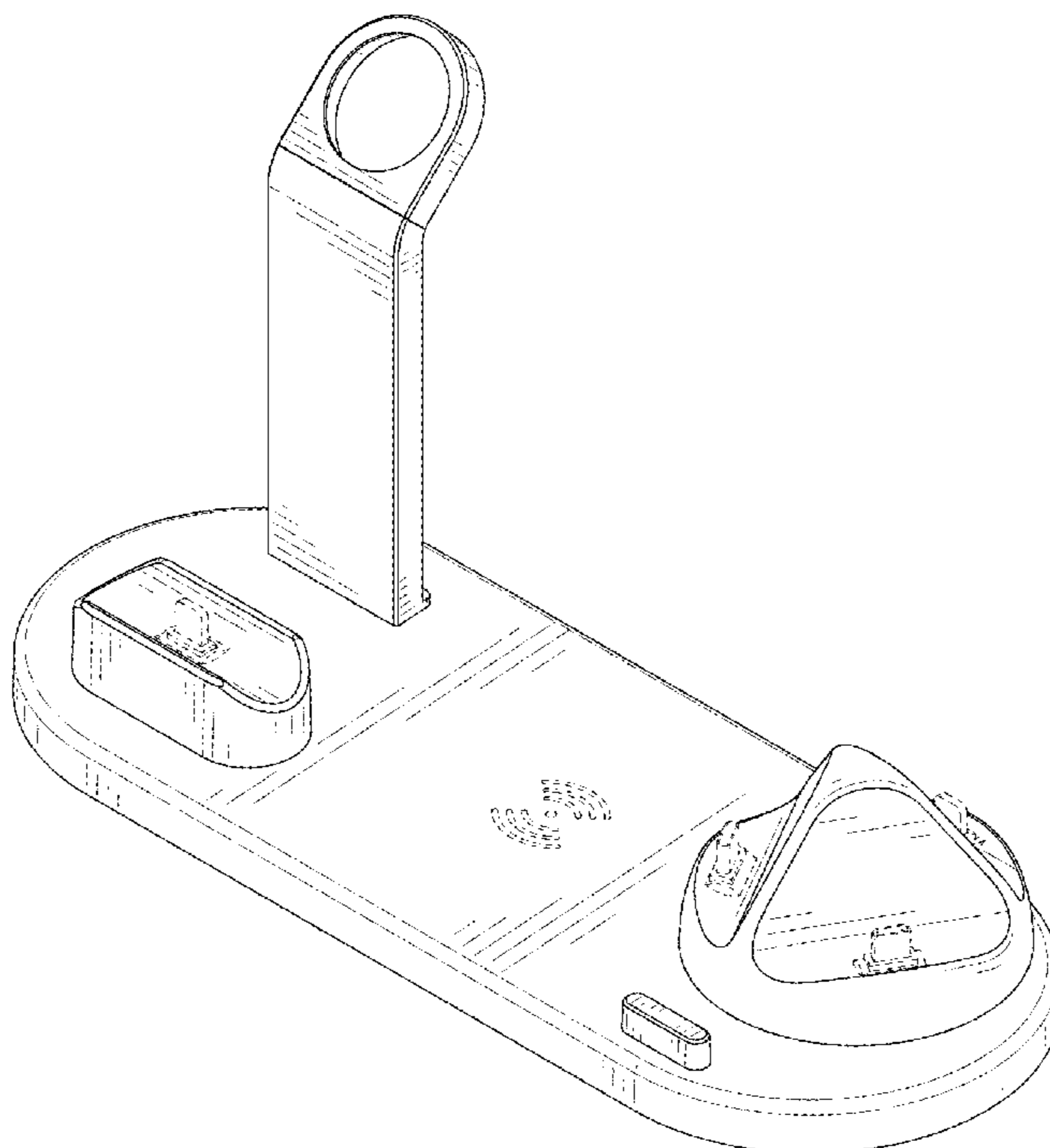
(57) **CLAIM**

The ornamental design for a wireless charging bracket, as shown and described.

**DESCRIPTION**

FIG. 1 is a perspective view of a wireless charging bracket showing my new design;  
FIG. 2 is another perspective view thereof;  
FIG. 3 is a front view thereof;  
FIG. 4 is a rear view thereof;  
FIG. 5 is a left side view thereof;  
FIG. 6 is a right side view thereof;  
FIG. 7 is a top plan view thereof; and,  
FIG. 8 is a bottom plan view thereof.  
The broken lines in the figures illustrate portions of the wireless charging bracket that form no part of the claimed design.

**1 Claim, 8 Drawing Sheets**



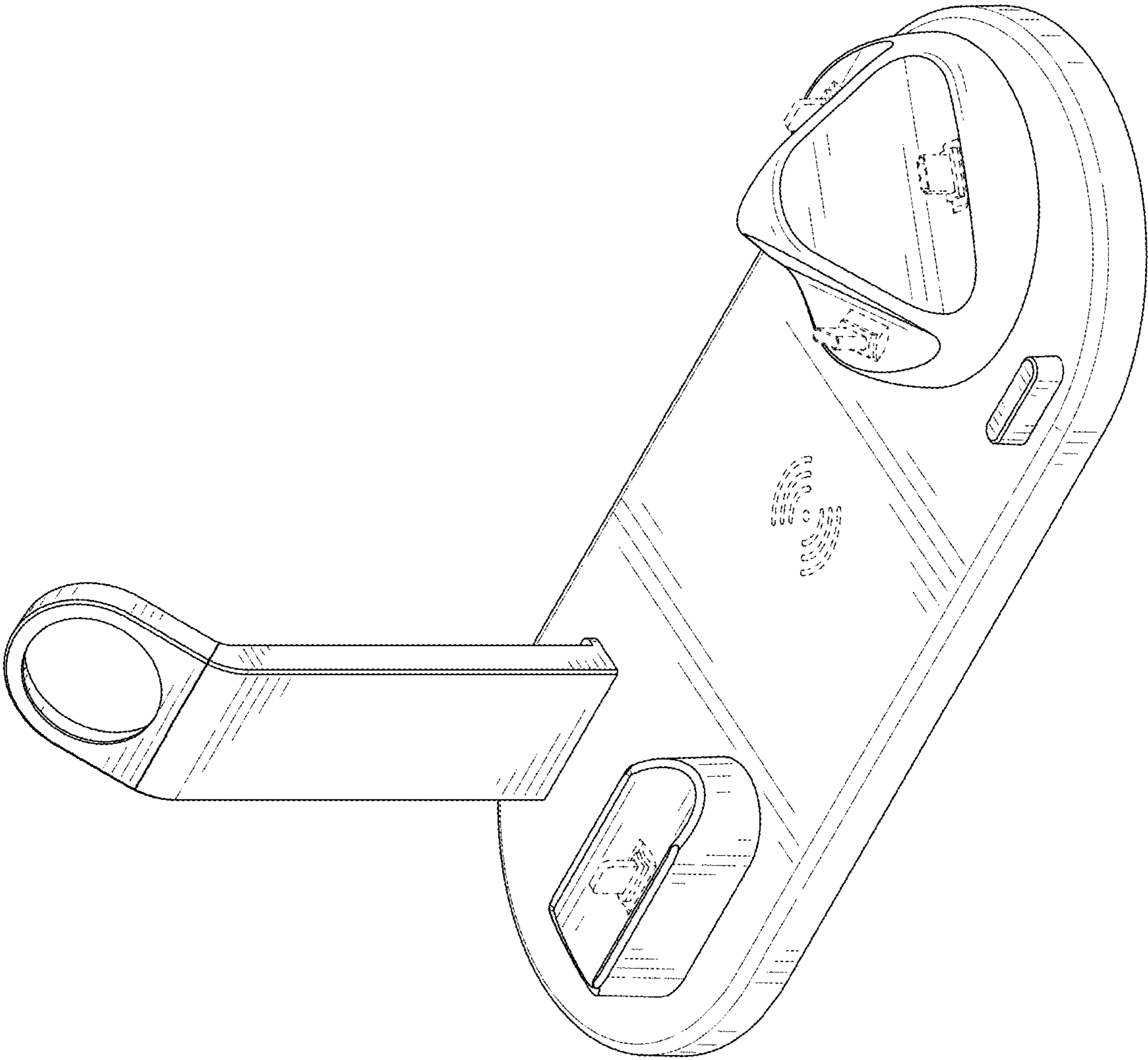


FIG. 1

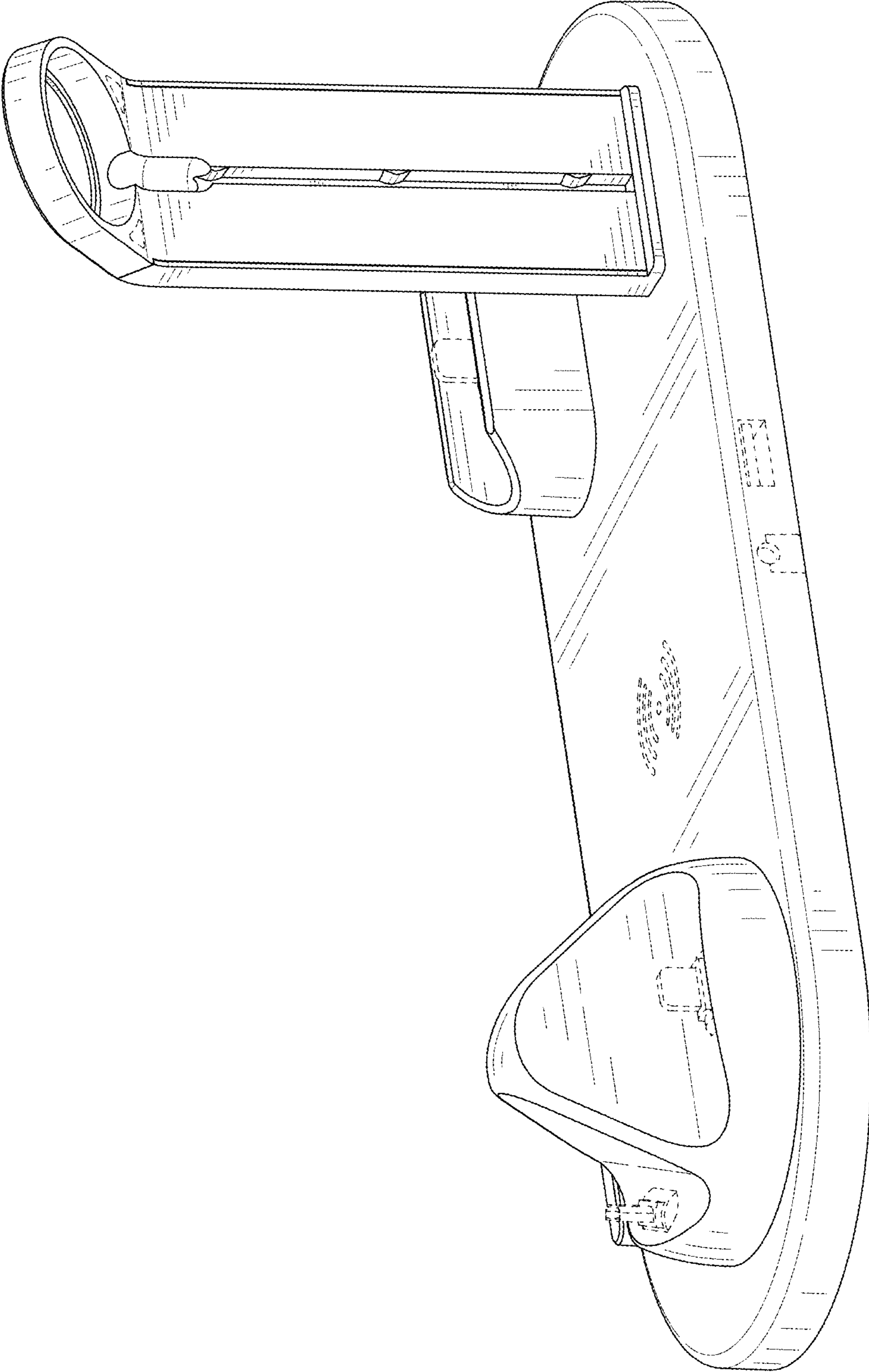


FIG. 2

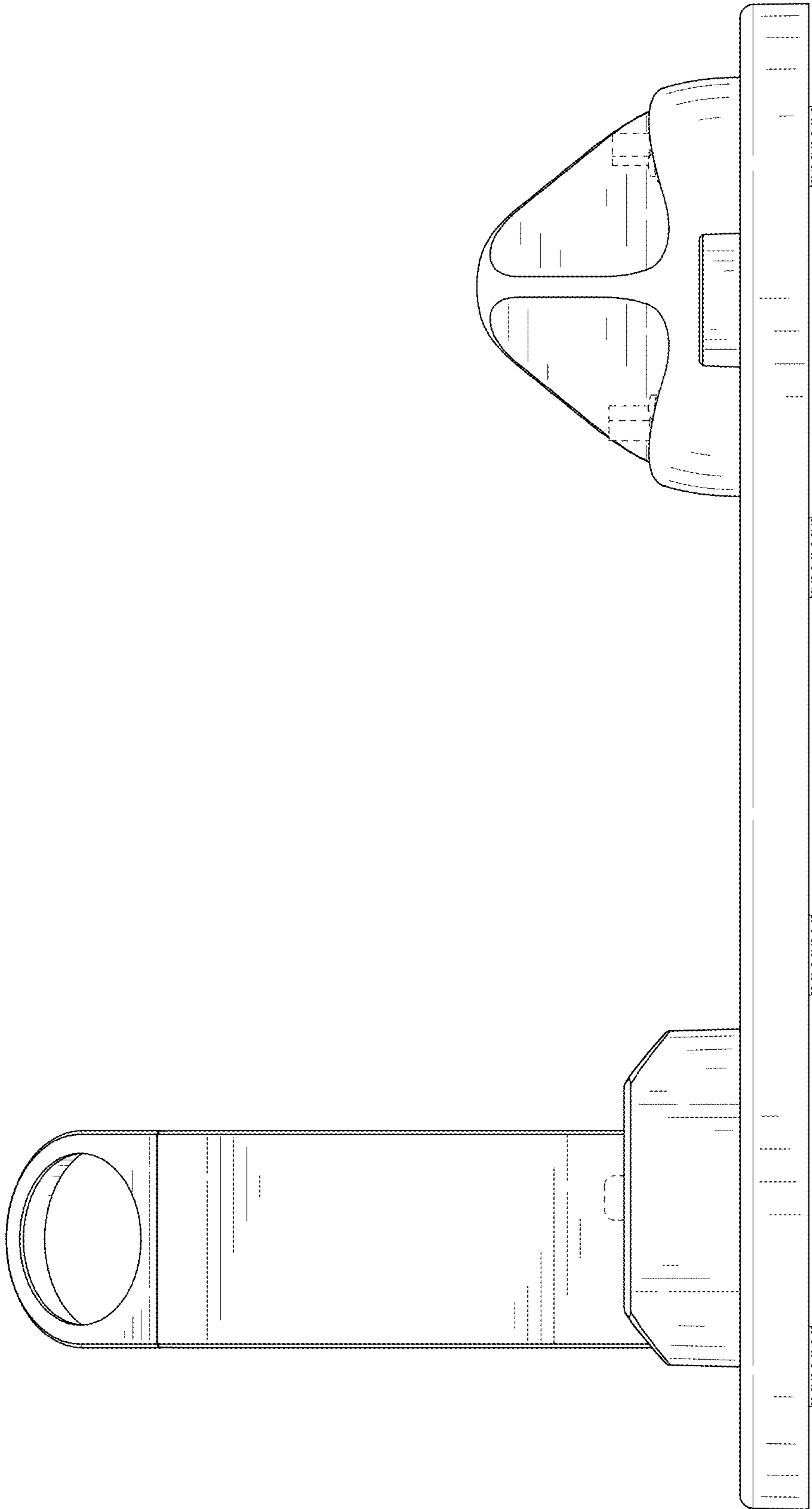


FIG. 3

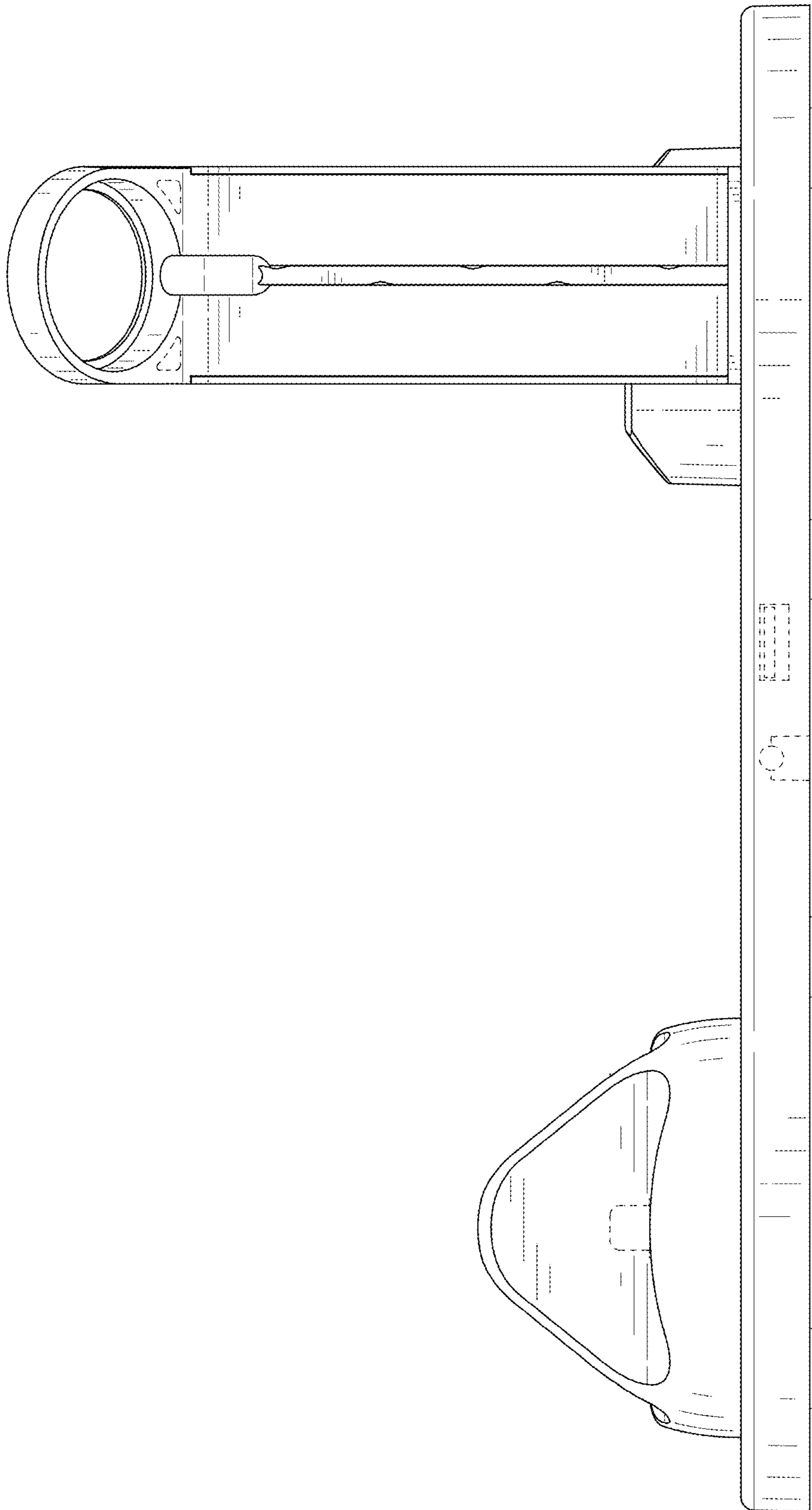


FIG. 4

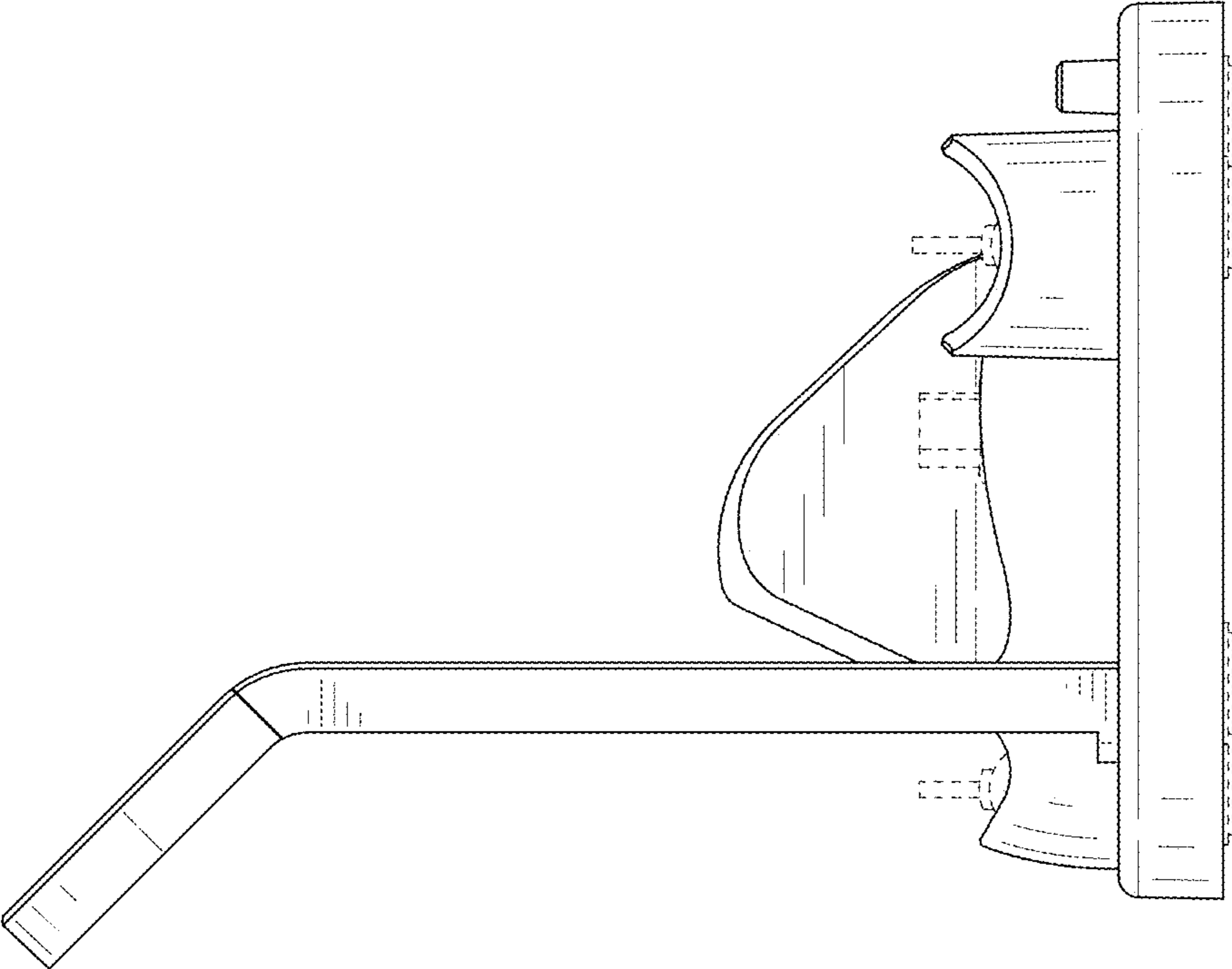


FIG. 5

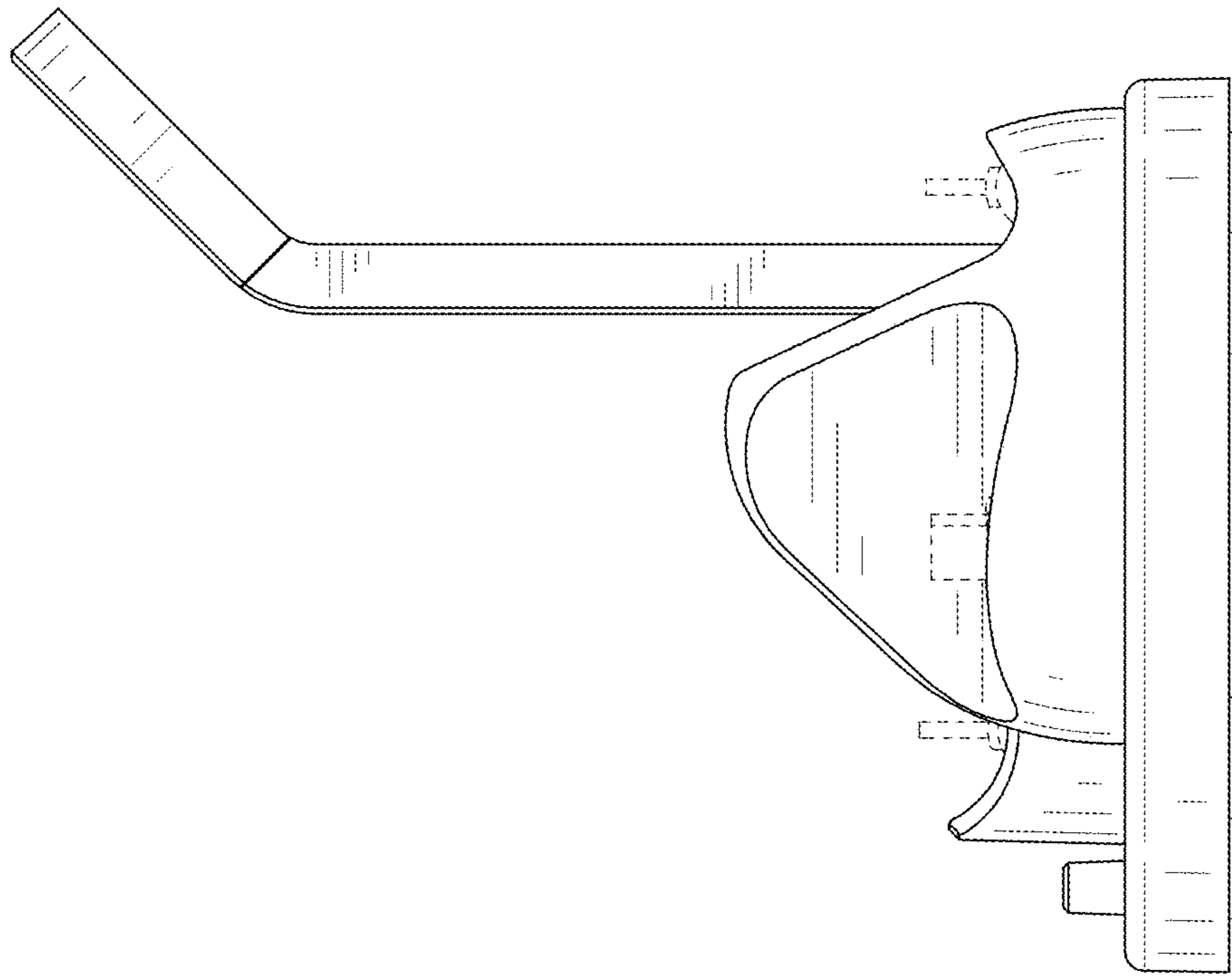


FIG. 6

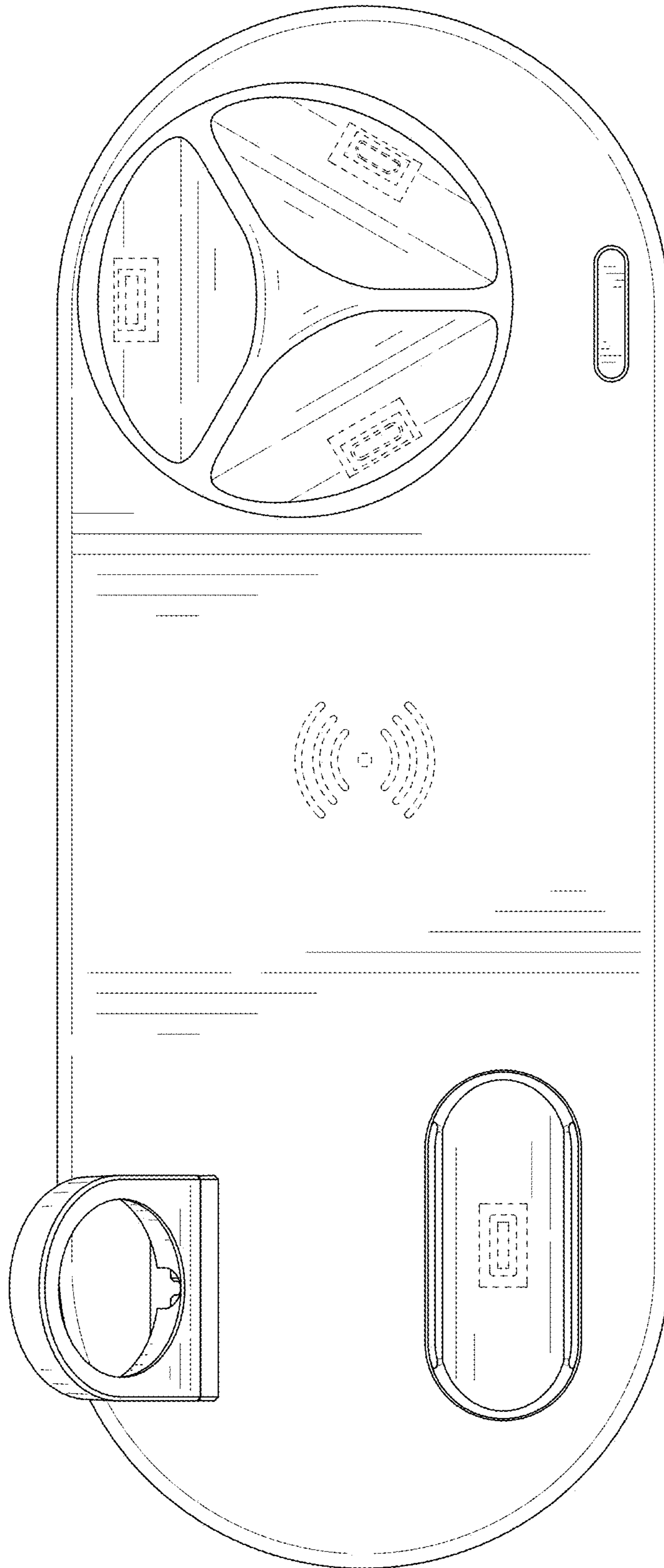


FIG. 7



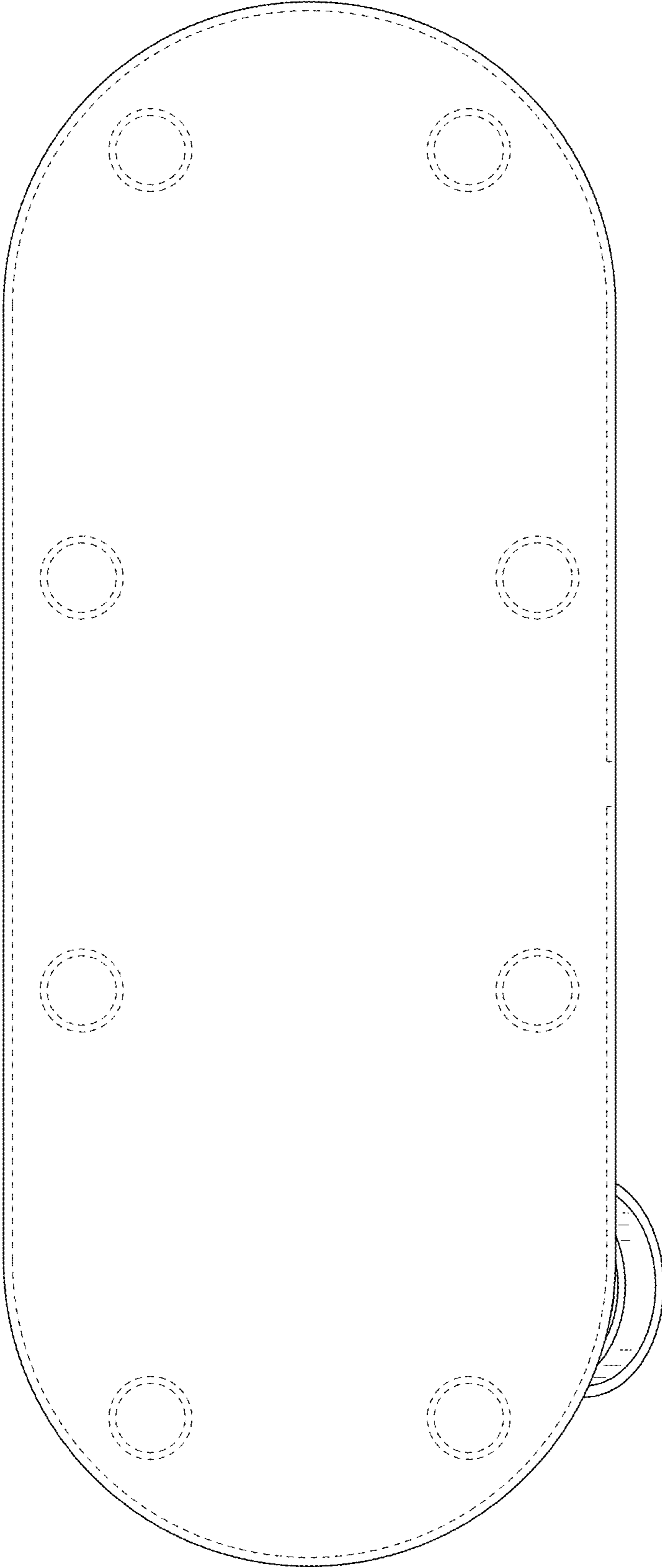


FIG. 8