



US00D889402S

(12) **United States Design Patent**  
**Lim**

(10) **Patent No.:** **US D889,402 S**

(45) **Date of Patent:** **\*\* Jul. 7, 2020**

(54) **CHARGING CRADLE FOR WIRELESS  
EARPIECE CASE**

(71) Applicant: **ESI Cases & Accessories**, New York,  
NY (US)

(72) Inventor: **Kwangpyo Lim**, New York, NY (US)

(73) Assignee: **ESI Cases & Accessories**, New York,  
NY (US)

(\*\*) Term: **15 Years**

(21) Appl. No.: **29/692,186**

(22) Filed: **May 23, 2019**

(51) **LOC (12) Cl.** ..... **13-02**

(52) **U.S. Cl.**  
USPC ..... **D13/108**

(58) **Field of Classification Search**  
USPC ..... D13/103, 107-108, 110, 184, 199;  
D14/251, 253, 432, 434; D27/193, 194  
CPC ..... H02J 7/0044; H02J 7/0045; H02J 7/0042;  
H02J 7/342; H02J 7/345; H02J 7/025;  
H02J 7/026; H02J 7/0007; H02J 7/0027;  
H02J 7/0003; H02J 50/10; B60R 16/033  
See application file for complete search history.

(56) **References Cited**

**U.S. PATENT DOCUMENTS**

D574,326 S \* 8/2008 Lim ..... D13/110  
D662,470 S \* 6/2012 Smith ..... D13/108

D680,541 S \* 4/2013 Lee ..... D14/217  
D686,988 S \* 7/2013 Fawkes ..... D13/110  
D721,649 S \* 1/2015 Tsai ..... D13/108  
D722,649 S \* 2/2015 Sumii ..... D14/434  
D734,384 S \* 7/2015 Han ..... D14/253  
D814,412 S \* 4/2018 Georgiades ..... D13/108  
D816,026 S \* 4/2018 Georgiades ..... D13/108  
D817,269 S \* 5/2018 Sukphist ..... D13/108  
D821,972 S \* 7/2018 Wei ..... D13/108

\* cited by examiner

*Primary Examiner* — Rosemary K Tarcza

(74) *Attorney, Agent, or Firm* — Amster, Rothstein &  
Ebenstein LLP

(57) **CLAIM**

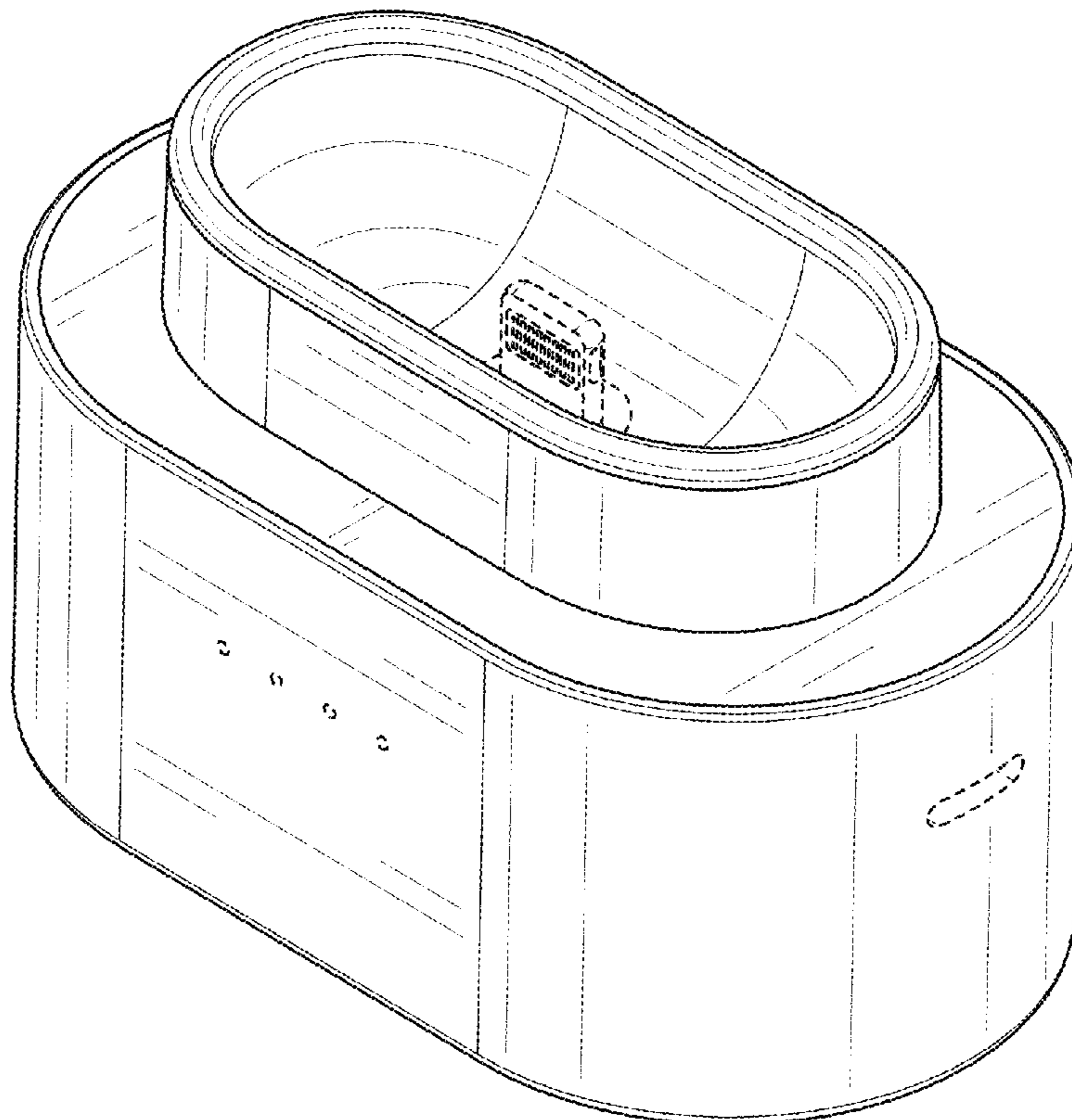
The ornamental design for a charging cradle for wireless  
earpiece case, as shown and described.

**DESCRIPTION**

FIG. 1 is a perspective view of a charging cradle for wireless  
earpiece case showing my new design;  
FIG. 2 is a front view thereof;  
FIG. 3 is a back view thereof;  
FIG. 4 is a left side view thereof;  
FIG. 5 is a right side view thereof;  
FIG. 6 is a top view thereof; and,  
FIG. 7 is a bottom view thereof.

The broken lines in FIGS. 1-7 depict portions of the charging  
cradle for wireless earpiece case that form no part of the  
claimed design.

**1 Claim, 7 Drawing Sheets**



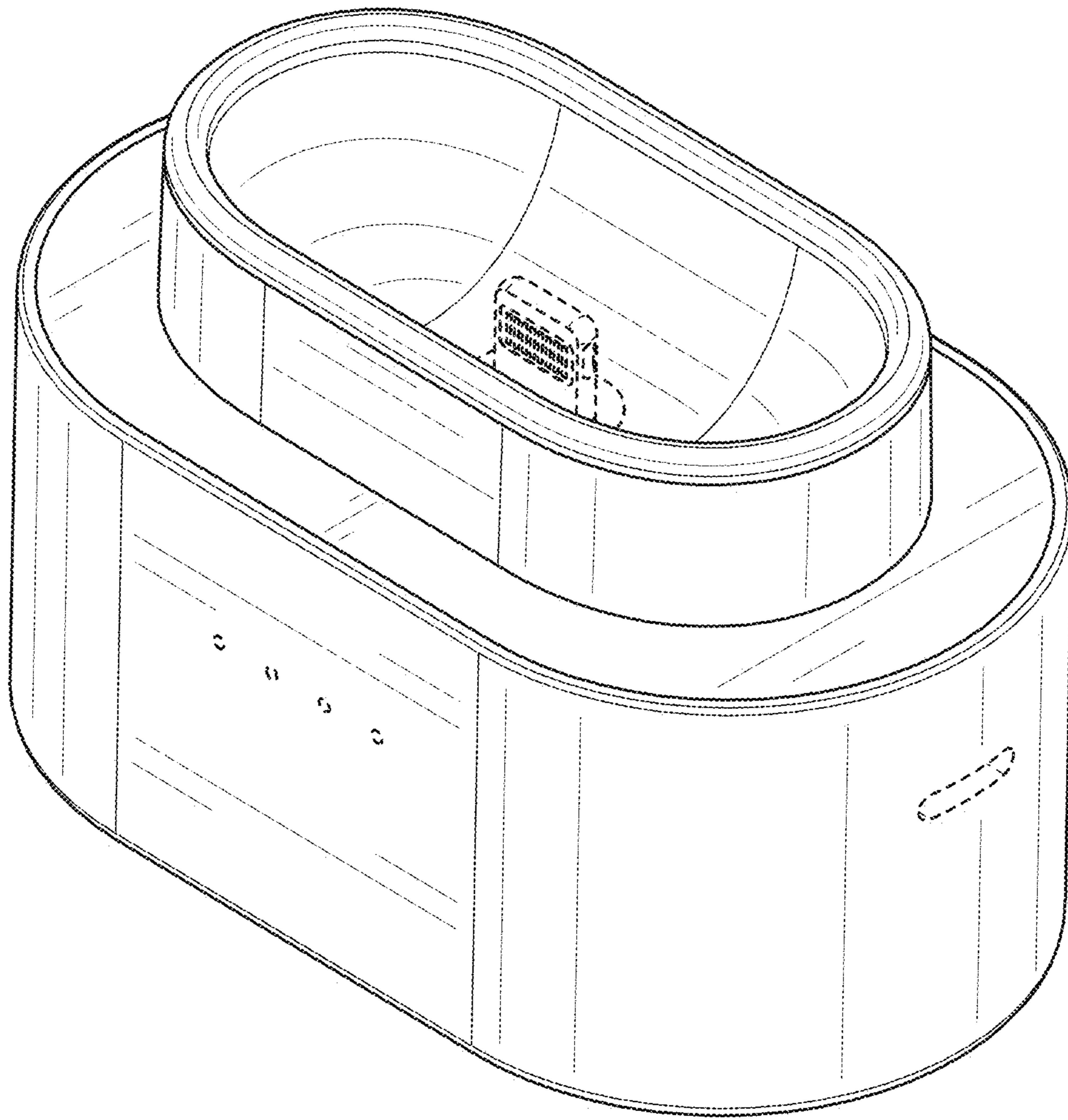


FIG. 1

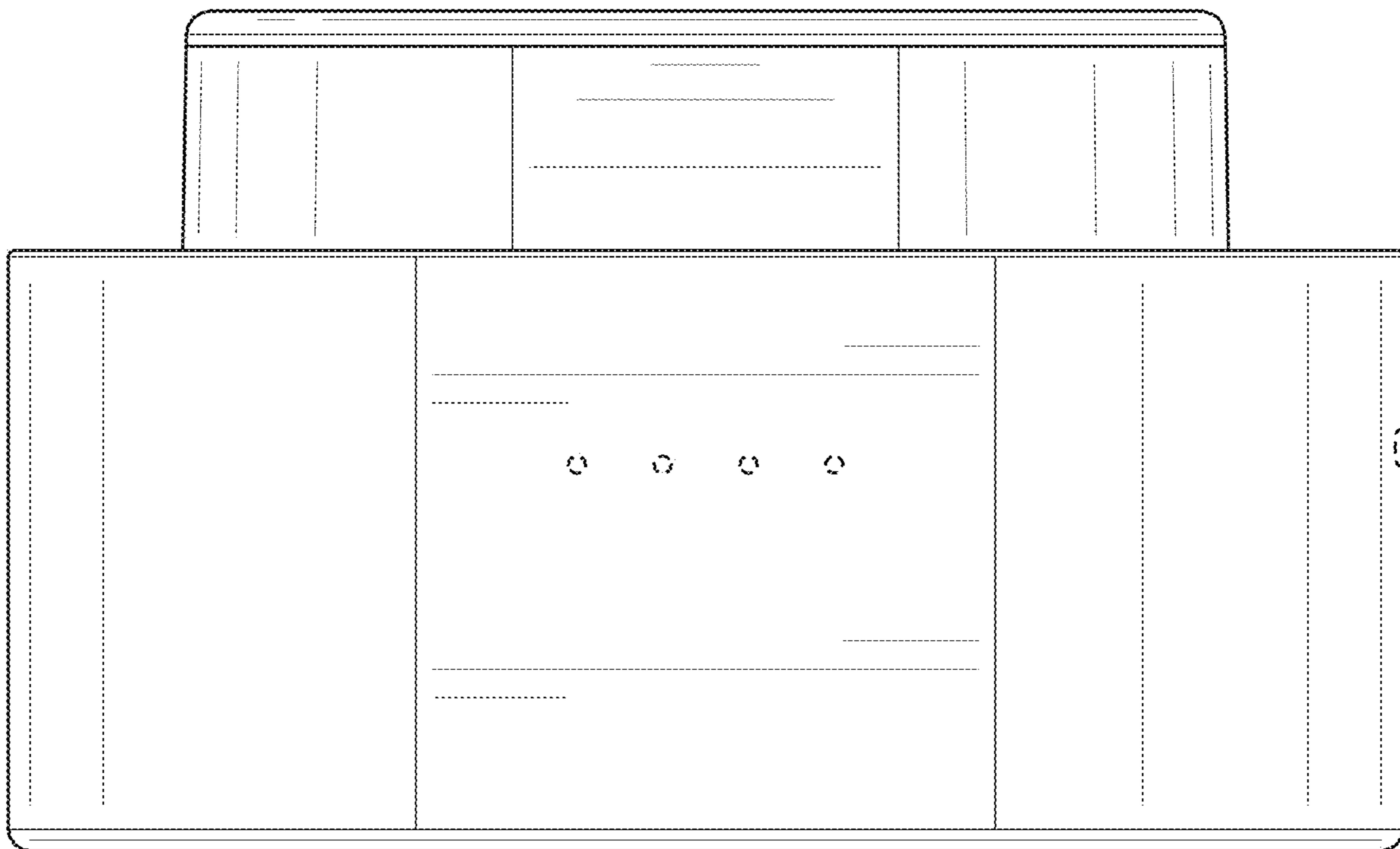


FIG. 2

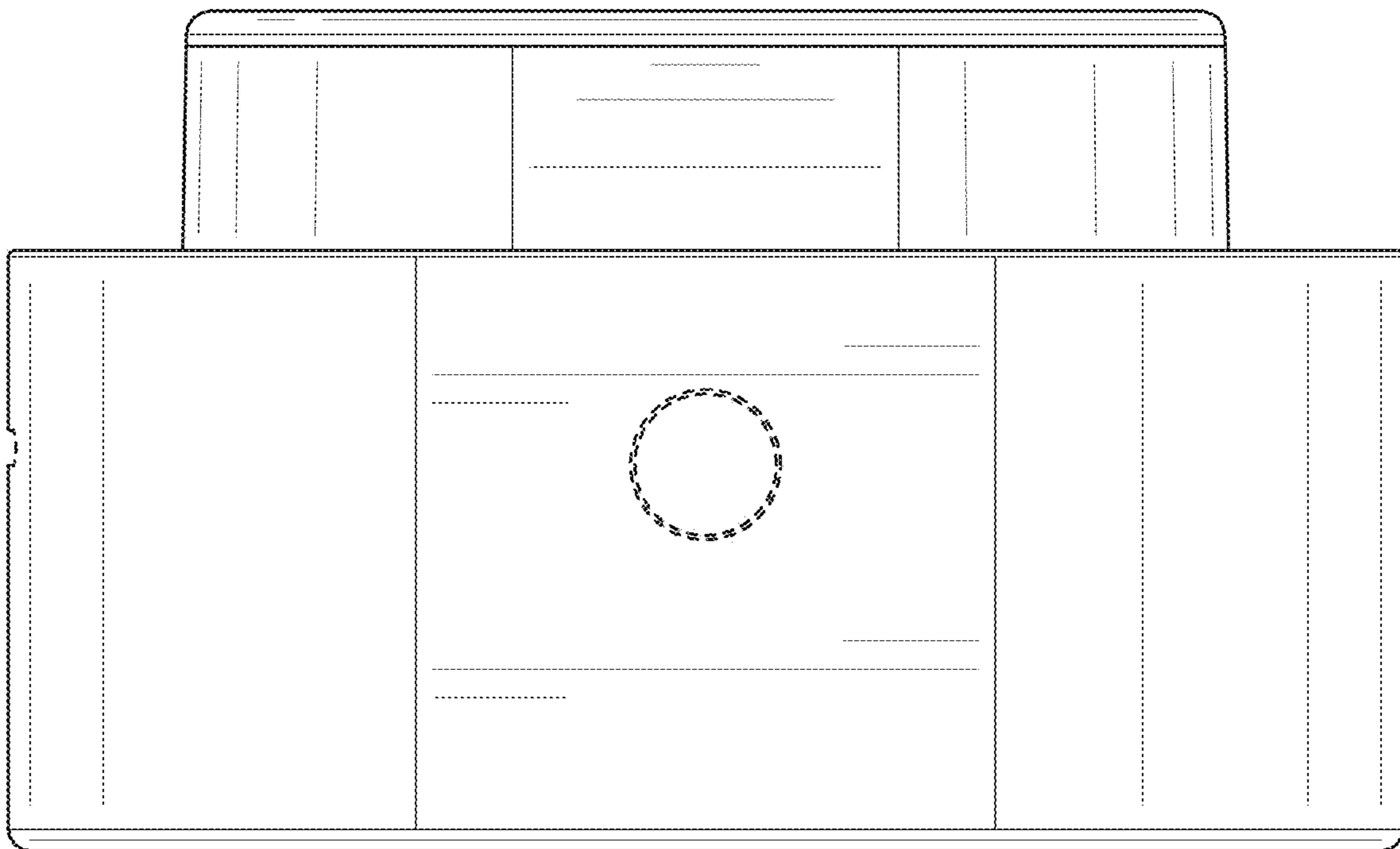


FIG. 3

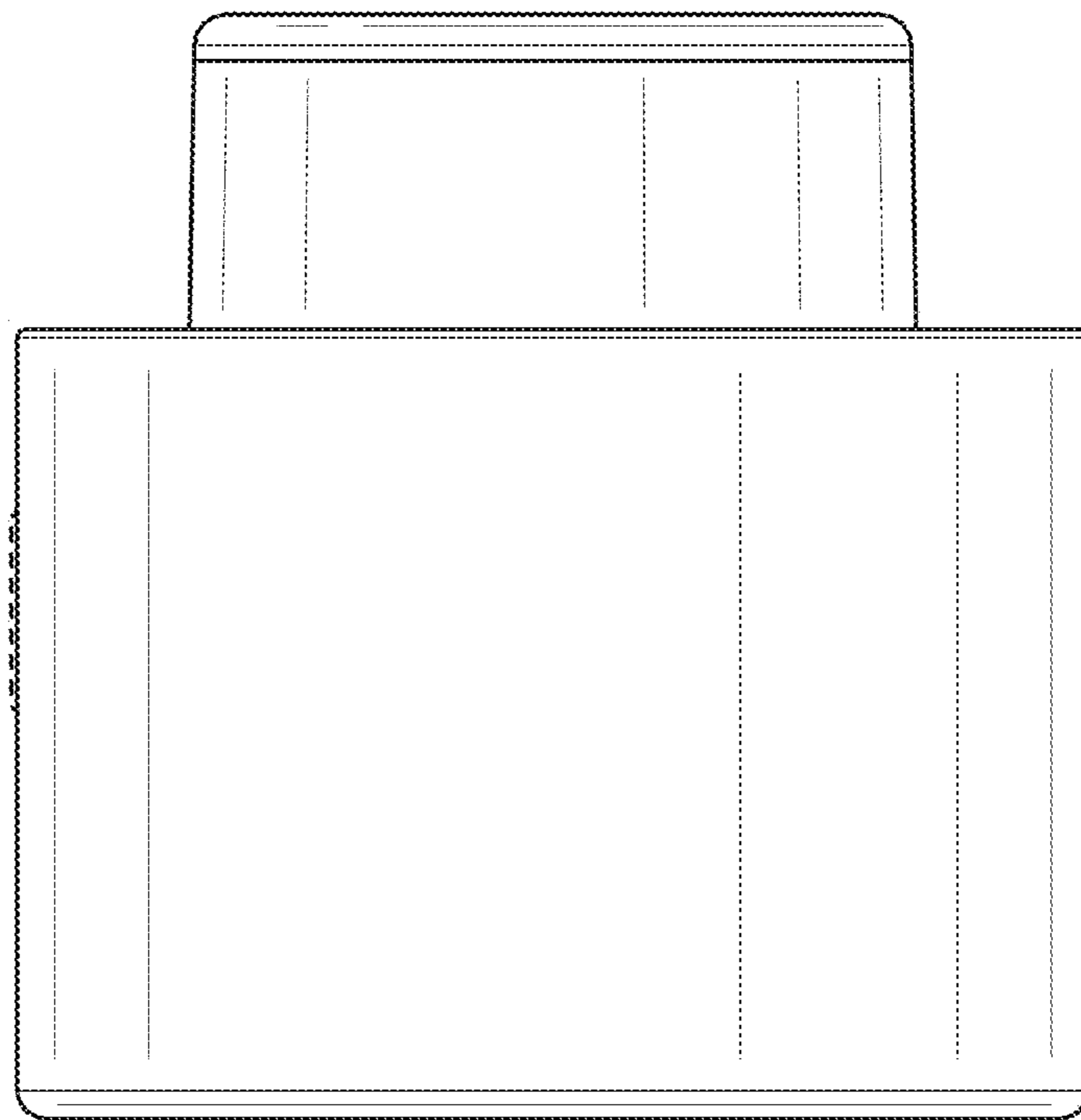


FIG. 4

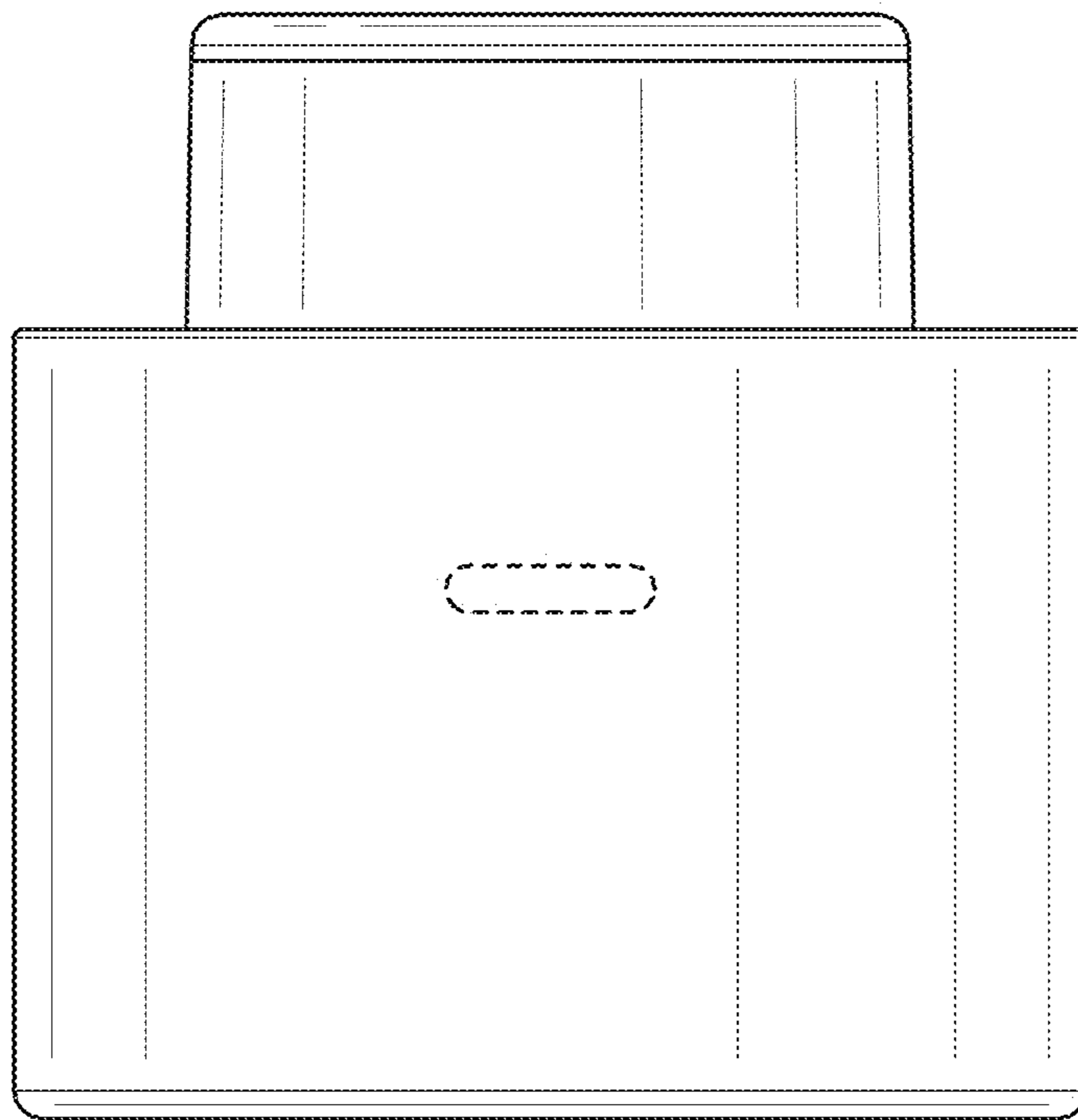


FIG. 5

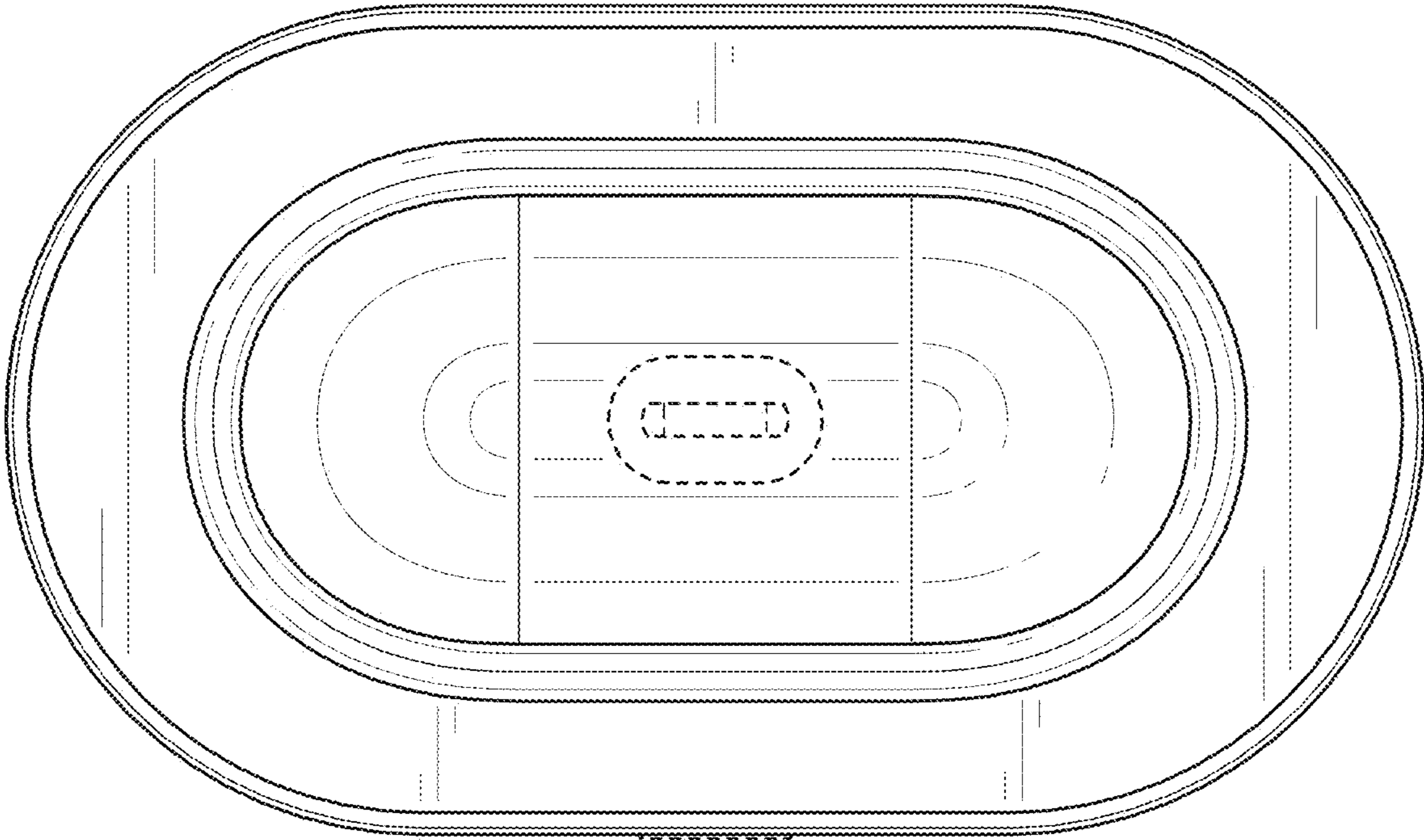


FIG. 6

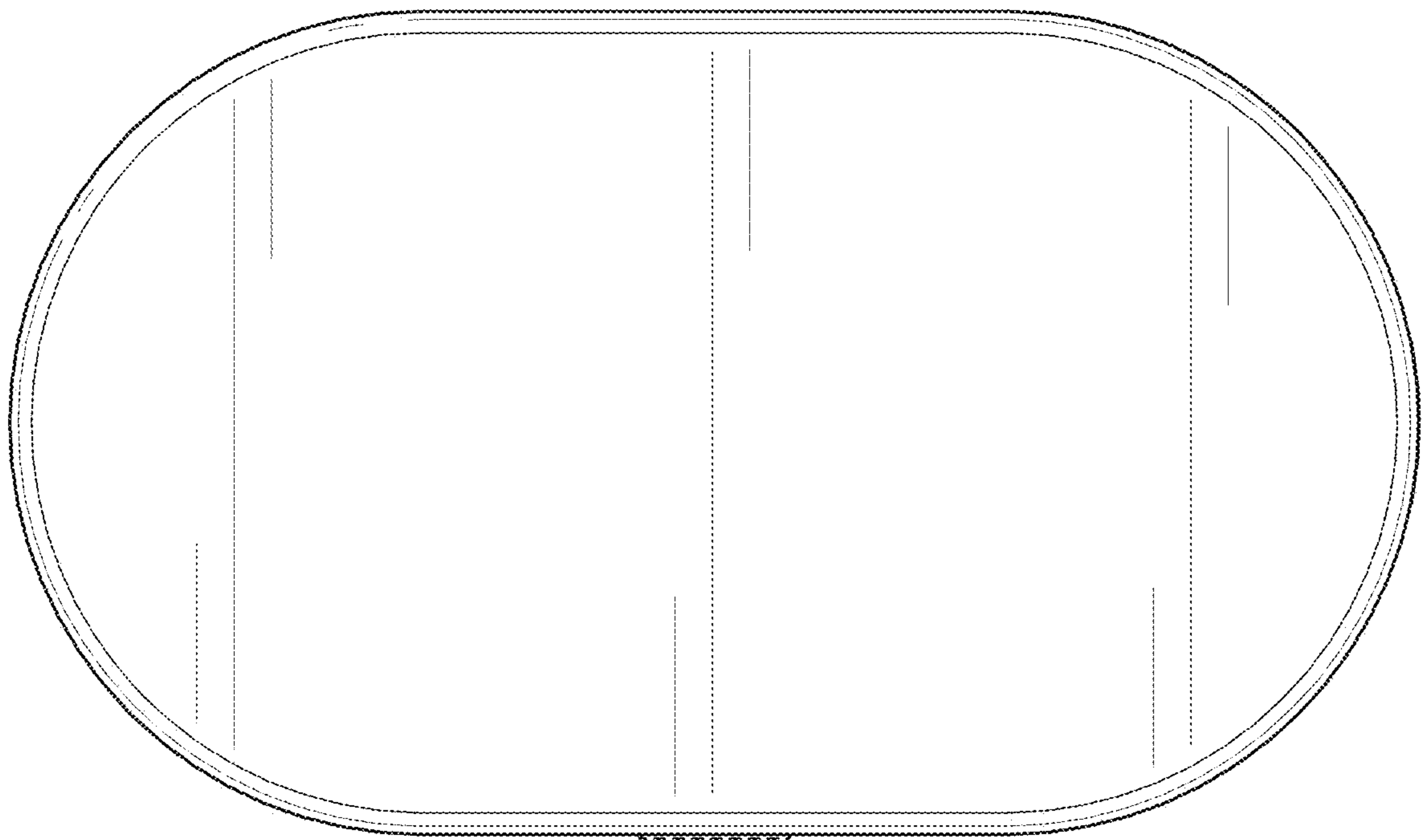


FIG. 7