



US00D889401S

(12) **United States Design Patent** (10) **Patent No.:** **US D889,401 S**
Li (45) **Date of Patent:** **** Jul. 7, 2020**

(54) **USB PORTABLE POWER SUPPLY**
(71) Applicant: **Yongjin Li**, Guangdong (CN)
(72) Inventor: **Yongjin Li**, Guangdong (CN)
(73) Assignee: **Shenzhen Lepower Electronic Co., Ltd.**, Shenzhen (CN)
(**) Term: **15 Years**
(21) Appl. No.: **29/667,670**
(22) Filed: **Oct. 24, 2018**
(51) **LOC (12) Cl.** **13-02**
(52) **U.S. Cl.**
USPC **D13/108**; D13/103
(58) **Field of Classification Search**
USPC D13/103–110, 118, 119, 184, 199;
D14/251, 253, 432, 434
CPC Y02E 60/10; Y02E 60/12; Y02E 60/122;
Y02E 60/124; Y02E 60/50; H01M 2/02;
H01M 2/022; H01M 2/0202; H01M
2/0207; H01M 2/0212; H01M 2/1061;
H01M 2/1022; H01M 2/1055; H01M
2/1066; H01M 2/105; H01M 2/20; H01M
2/202; H01M 2/204; H01M 2/206; H01M
10/44; H01M 10/46; H01M 10/465;
H01M 10/482; H01M 2200/30; H01M
2250/30; H01M 2250/40; H02J 7/00;
H02J 7/0003; H02J 7/0011; H02J 7/0013;
H02J 7/0054; H02J 7/0055; H02J 7/0057;
H02J 2007/0062
See application file for complete search history.

(56) **References Cited**
U.S. PATENT DOCUMENTS
D413,565 S * 9/1999 Nakayama D13/103
D427,140 S * 6/2000 Luh D13/103
D427,142 S * 6/2000 Luh D13/103
D428,385 S * 7/2000 Luh D13/103
D481,993 S * 11/2003 Searle D13/103

D539,216 S * 3/2007 Hamaguchi D13/103
D543,143 S * 5/2007 Hamaguchi D13/103
D546,279 S * 7/2007 Shimizu D13/103
D598,374 S * 8/2009 Sasada D13/108
D645,816 S * 9/2011 Sasada D13/108
D664,920 S * 8/2012 Huang D13/107
D670,244 S * 11/2012 Workman D13/110
D722,956 S * 2/2015 Alima D13/103
D749,506 S * 2/2016 Morgan D13/108
D751,978 S * 3/2016 Hong D13/103
D751,979 S * 3/2016 Hong D13/103
D756,908 S * 5/2016 Chung D13/103
D757,646 S * 5/2016 Pearson D13/103
D760,166 S * 6/2016 Cooper D13/119
D762,564 S * 8/2016 Patton D13/103
D780,115 S * 2/2017 Huang D13/107
D782,414 S * 3/2017 Worthington D13/103

(Continued)

OTHER PUBLICATIONS

Amazon.com: Anker PowerCore 5000 Portable Charger. Customer question dated Jul. 12, 2016. Retrieved from the internet at <https://www.amazon.com/Anker-PowerCore-Ultra-Compact-High-Speed-Technology/dp/B01CU1EC6Y/>, Dec. 19, 2019. 1 page. (Year: 2016).*

(Continued)

Primary Examiner — Rosemary K Tarcza
Assistant Examiner — Christy M Nemeth

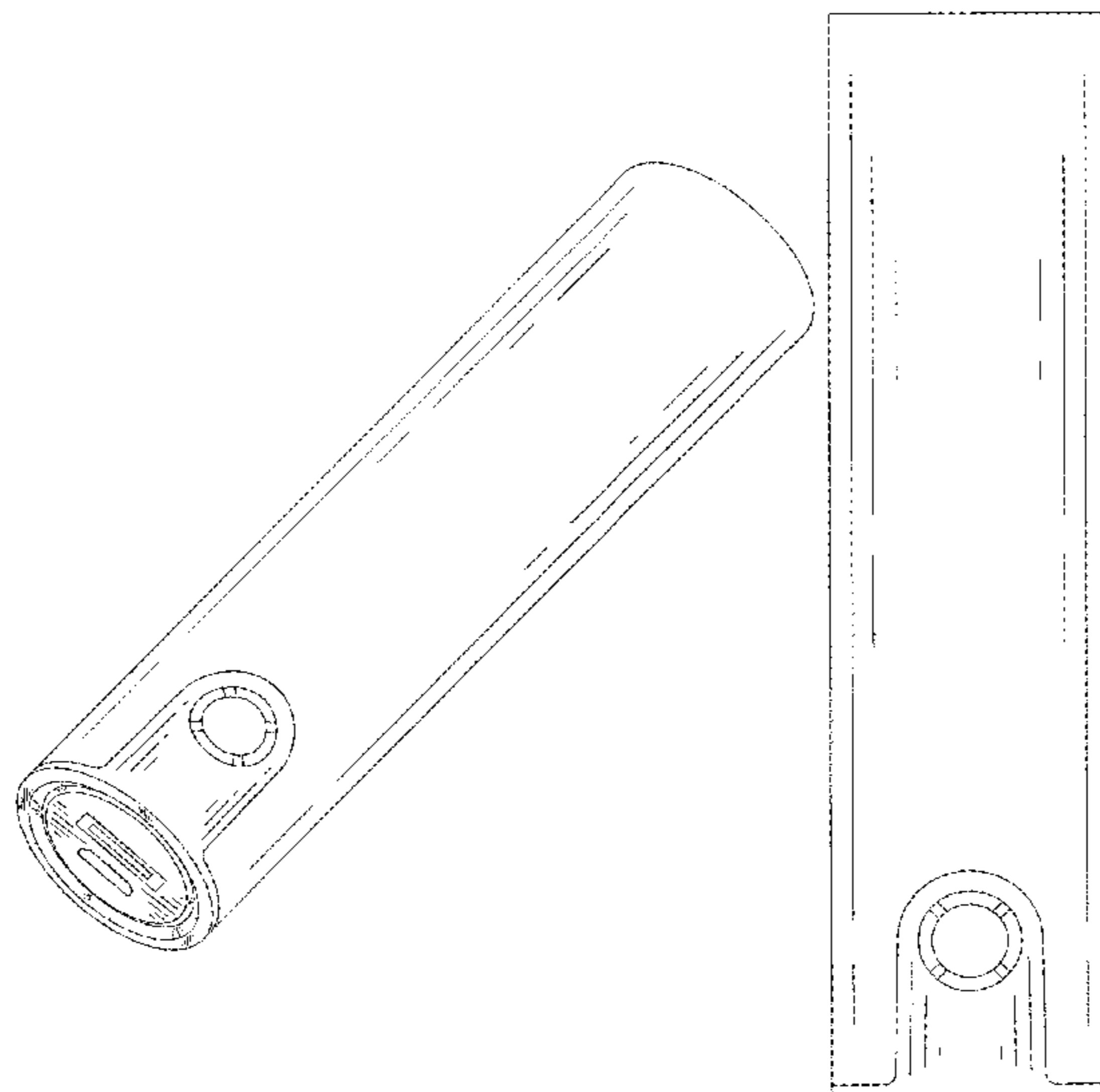
(57) **CLAIM**

The ornamental design for a USB portable power supply, as shown and described.

DESCRIPTION

FIG. 1 is a perspective view of a USB portable power supply showing my new design;
FIG. 2 is a front elevational view thereof;
FIG. 3 is a rear elevational view thereof;
FIG. 4 is a left side view thereof; and,
FIG. 5 is a right side view thereof.

1 Claim, 3 Drawing Sheets



(56)

References Cited

U.S. PATENT DOCUMENTS

D798,594 S * 10/2017 Boler D3/273
D815,037 S * 4/2018 Chen D13/108
D826,846 S * 8/2018 Greiner D13/103
D841,574 S * 2/2019 Ma D13/103
D843,938 S * 3/2019 Park D13/108
D844,557 S * 4/2019 Wang D13/103
D861,603 S * 10/2019 Zhong D13/110
2016/0260955 A1 * 9/2016 Jo H01M 2/30
2016/0260999 A1 * 9/2016 Park H01M 10/0431
2017/0062880 A1 * 3/2017 Riemer H01M 10/48
2017/0200935 A1 * 7/2017 Hong H01M 2/04
2018/0198478 A1 * 7/2018 Koyama H02J 7/00
2018/0309096 A1 * 10/2018 Kim H01M 2/08

OTHER PUBLICATIONS

Amazon.com: XCENTZ Lipstick Battery Charger. Customer question dated Oct. 16, 2018. Retrieved from the internet at <<https://www.amazon.com/dp/B07CZWXL3F/>>, Dec. 19, 2019. 1 page. (Year: 2018).*

* cited by examiner

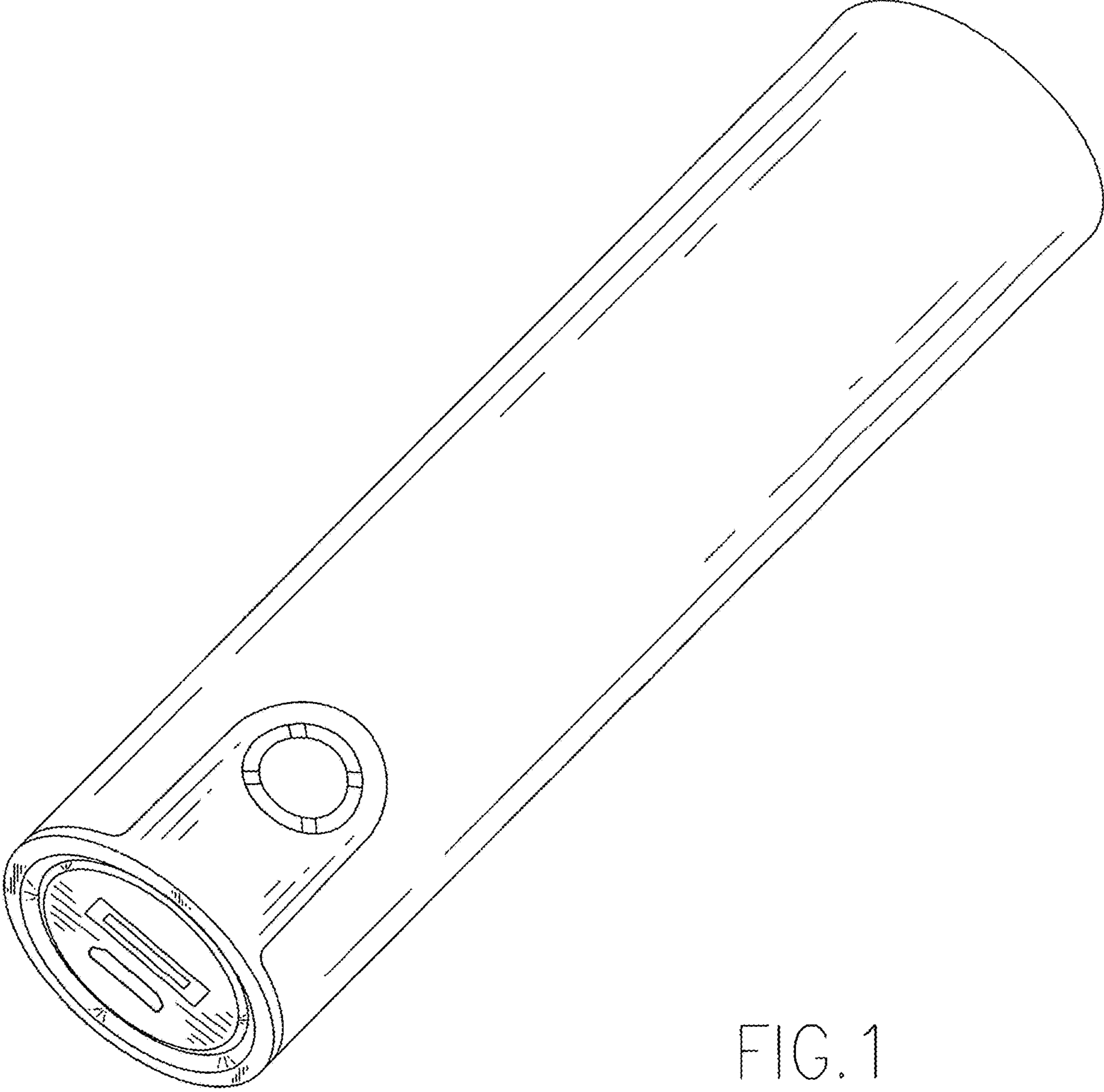


FIG. 1

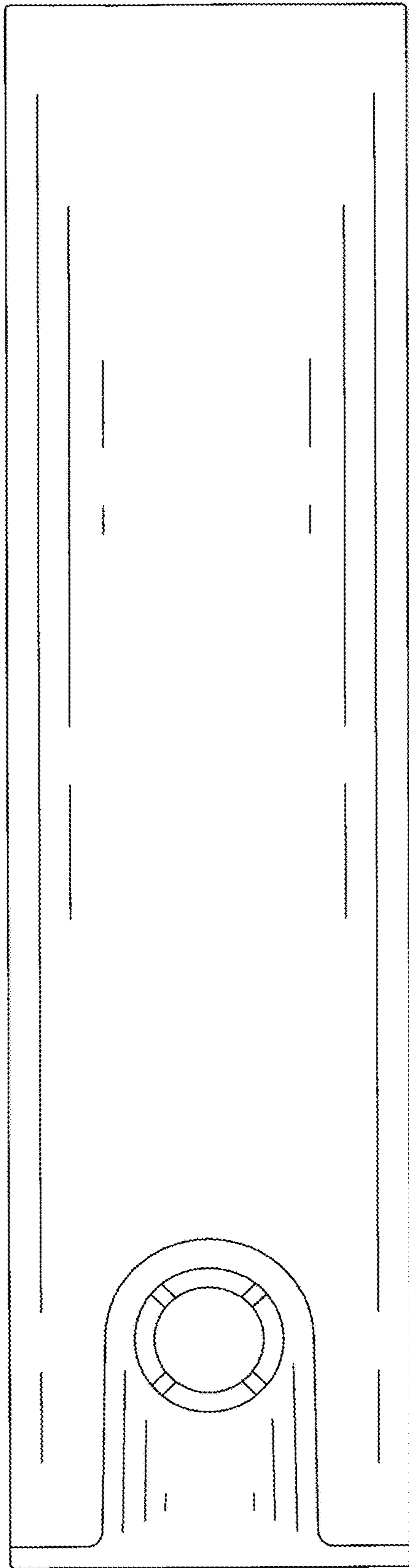


FIG. 2

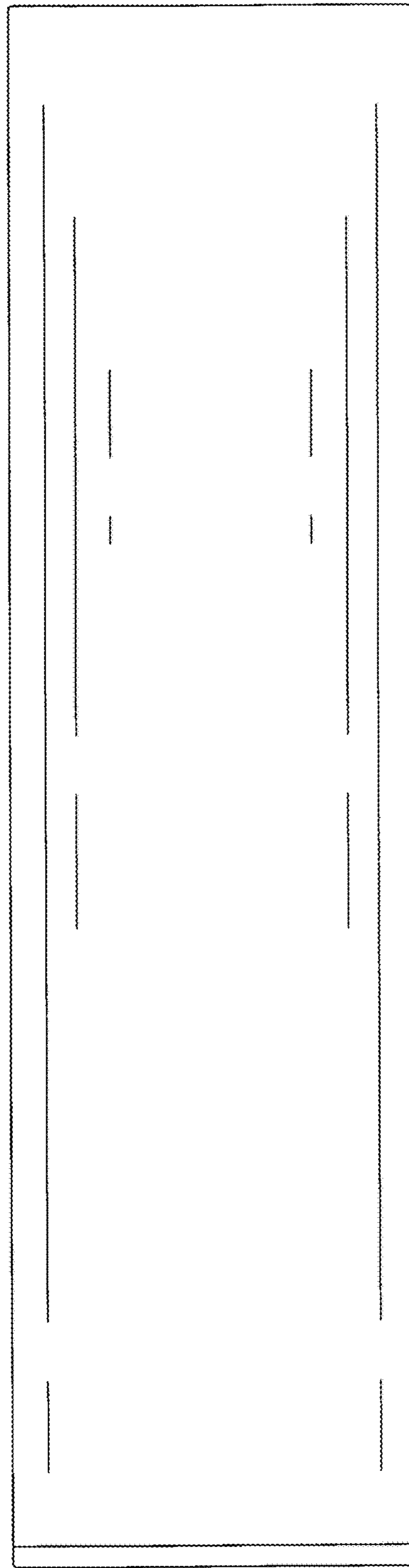


FIG. 3

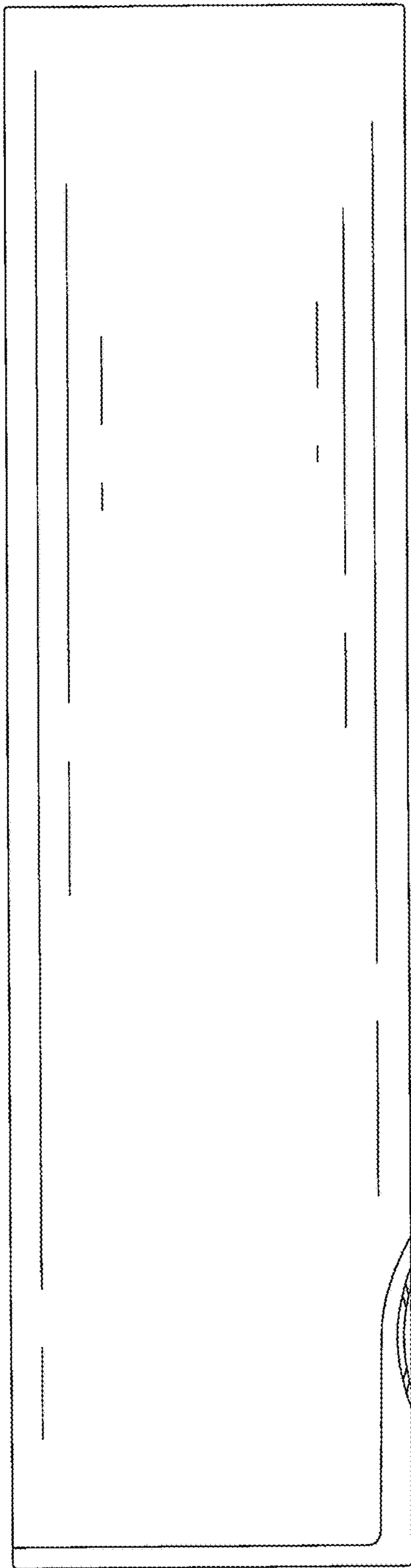


FIG. 4

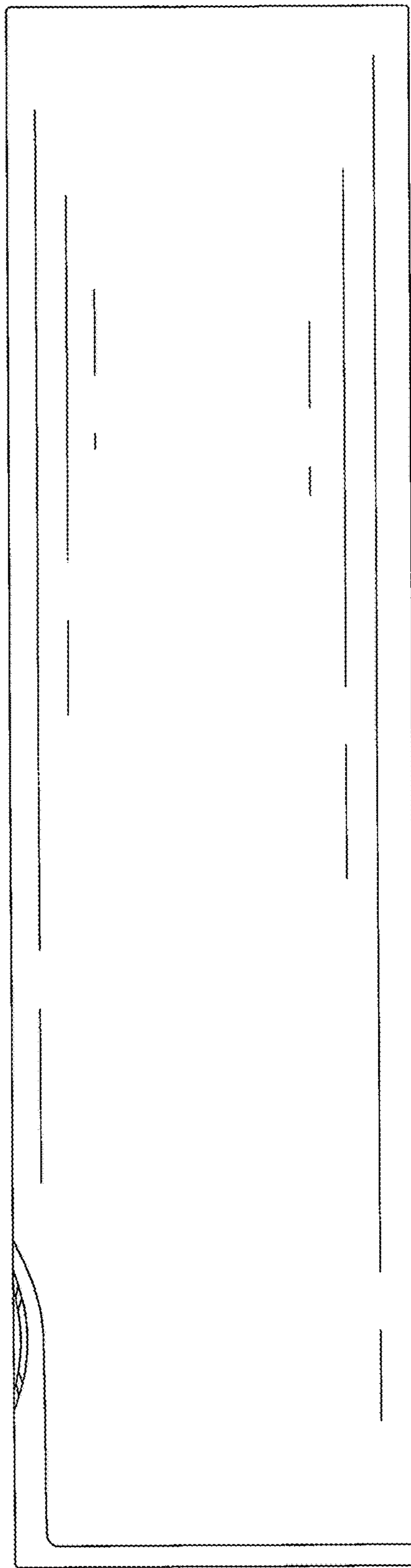


FIG. 5