



US00D889399S

(12) **United States Design Patent**
Zou

(10) **Patent No.:** **US D889,399 S**

(45) **Date of Patent:** **** Jul. 7, 2020**

(54) **PORTABLE CELLULAR SMART BATTERY CHARGER**

(71) Applicant: **Baosheng Zou**, Ganzhou (CN)

(72) Inventor: **Baosheng Zou**, Ganzhou (CN)

(73) Assignee: **Baosheng Zou**, Ganzhou (CN)

(**) Term: **15 Years**

(21) Appl. No.: **29/660,819**

(22) Filed: **Aug. 22, 2018**

(51) **LOC (12) Cl.** **13-02**

(52) **U.S. Cl.**
USPC **D13/107**

(58) **Field of Classification Search**

USPC D13/103, 107-108, 110, 118-119, 184,
D13/199; D14/251, 253, 432, 434
CPC H02J 7/00; H02J 7/0003; H02J 7/0011;
H02J 7/0013; H02J 7/025; H02J 7/0054;
H02J 7/0055; H02J 7/0057; H02J 5/00;
H02J 5/005; H02J 50/00; H02J 50/10;
H02J 50/12; H02J 50/50; H02J 50/80;
H01M 10/46; H01M 10/465; H01M
2200/30; H01M 2250/30

See application file for complete search history.

(56) **References Cited**

U.S. PATENT DOCUMENTS

D585,367 S * 1/2009 Dunbar D13/108
D610,983 S * 3/2010 Wai D13/108
D645,816 S * 9/2011 Sasada D13/108
D665,346 S * 8/2012 Kumagai D13/108
D733,050 S * 6/2015 Chiang D13/103

D791,077 S * 7/2017 Tsou D13/108
D798,594 S * 10/2017 Boler D3/273
D815,034 S * 4/2018 Zhao D13/107
D816,322 S * 5/2018 Choe D3/201
D823,246 S * 7/2018 Lin D13/108
D841,580 S * 2/2019 Bao D13/108
D841,581 S * 2/2019 Bonahoom D13/108
D851,035 S * 6/2019 Hong D13/108

* cited by examiner

Primary Examiner — Rosemary K Tarcza

(74) *Attorney, Agent, or Firm* — Wayne & Ken, LLC;
Tony Hom

(57) **CLAIM**

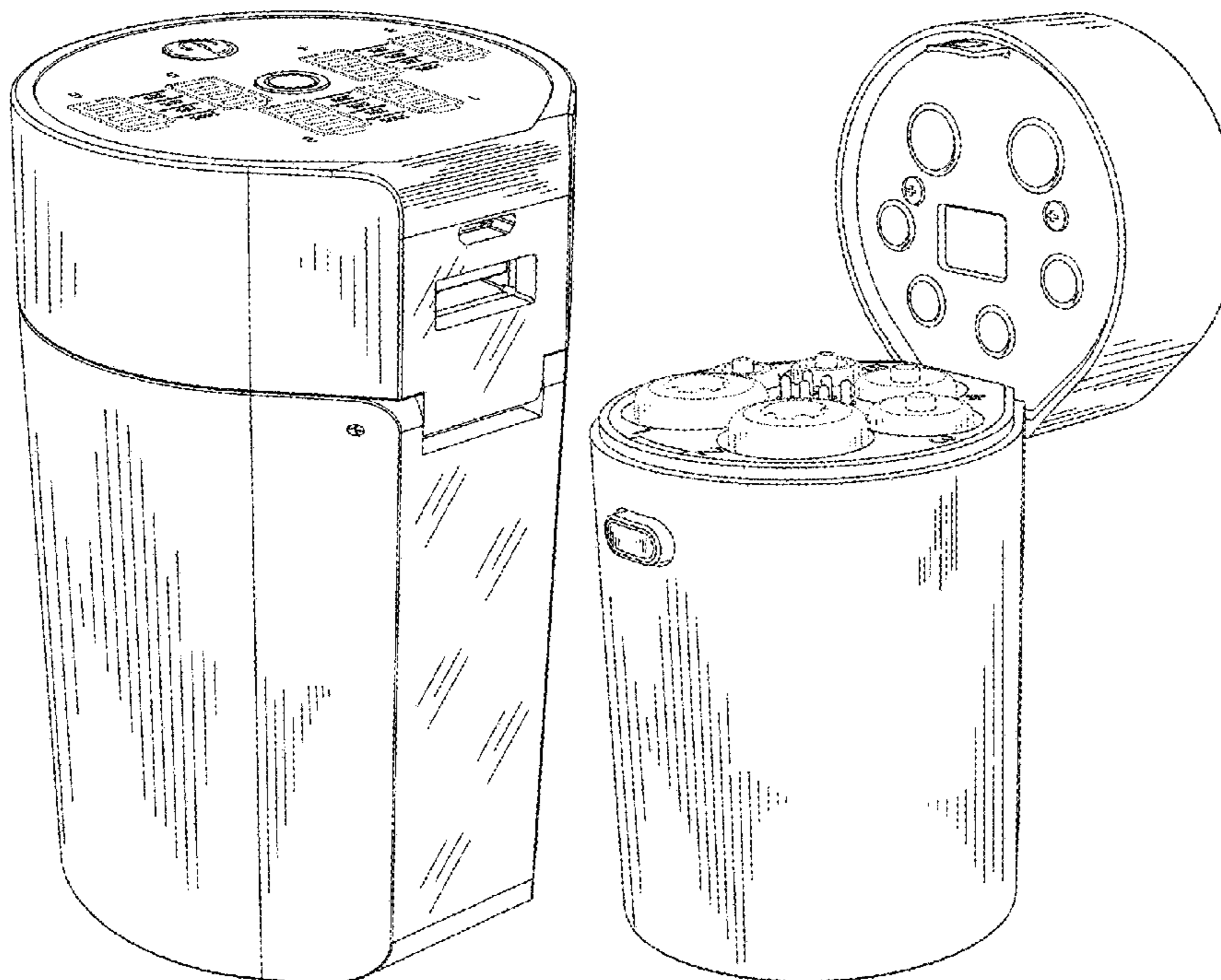
The ornamental design for a portable cellular smart battery charger, as shown and described.

DESCRIPTION

FIG. 1 is a front, and left side perspective view of a portable cellular smart battery charger showing my new design; FIG. 2 is a rear, top and right side perspective view thereof, FIG. 3 is a rear and right side perspective view thereof, shown in an open position; FIG. 4 is a rear and right side perspective view thereof, shown in an open position. FIG. 5 is a rear view thereof; FIG. 6 is a front view thereof; FIG. 7 is a left side view thereof; FIG. 8 is a right side view thereof; FIG. 9 is a top plan view thereof; and, FIG. 10 is a bottom plan view thereof.

The broken lines shown in the drawings are for the purpose of illustrating portions of the portable cellular smart battery charger that form no part of the claimed design.

1 Claim, 10 Drawing Sheets



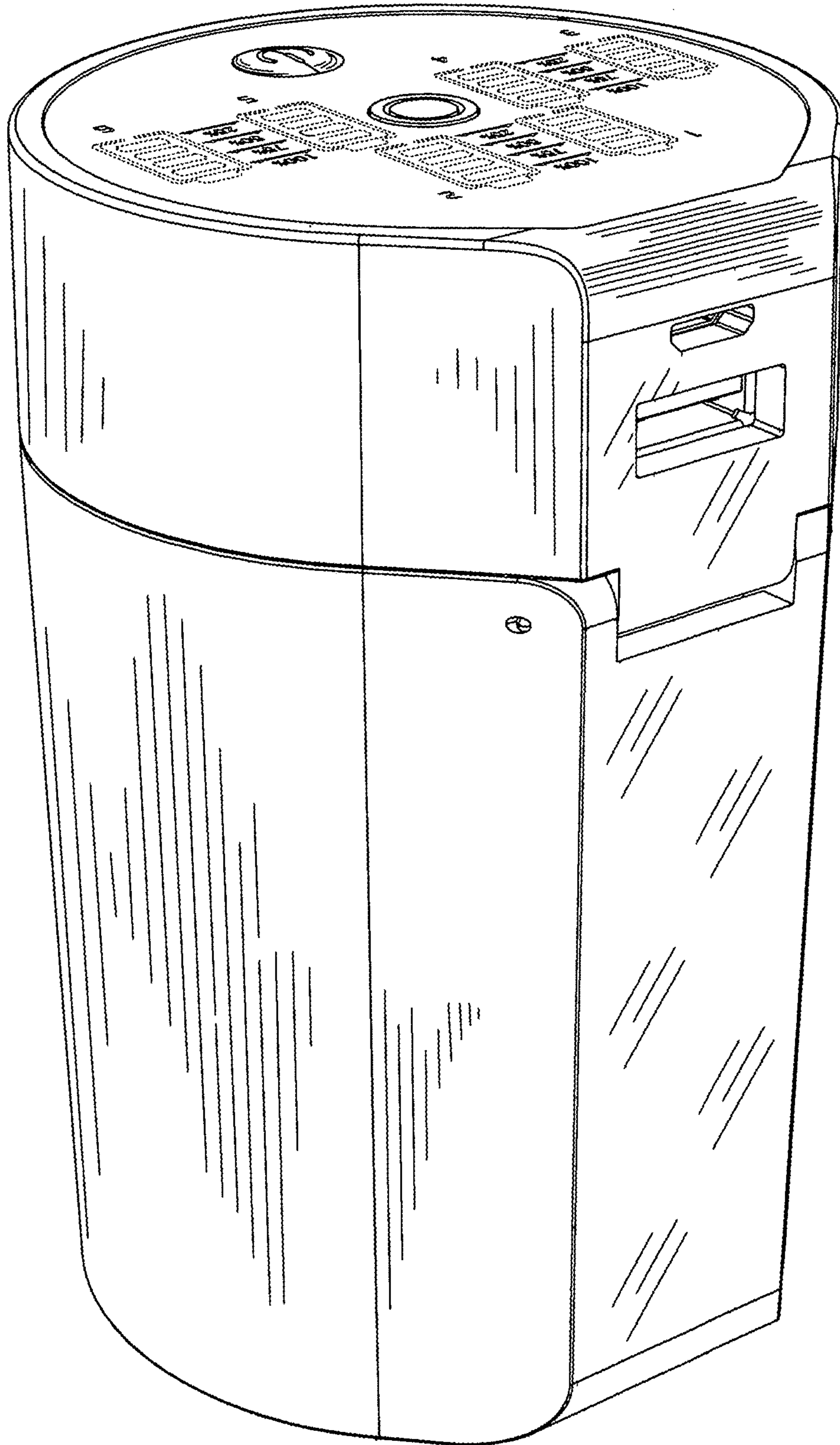


FIG. 1

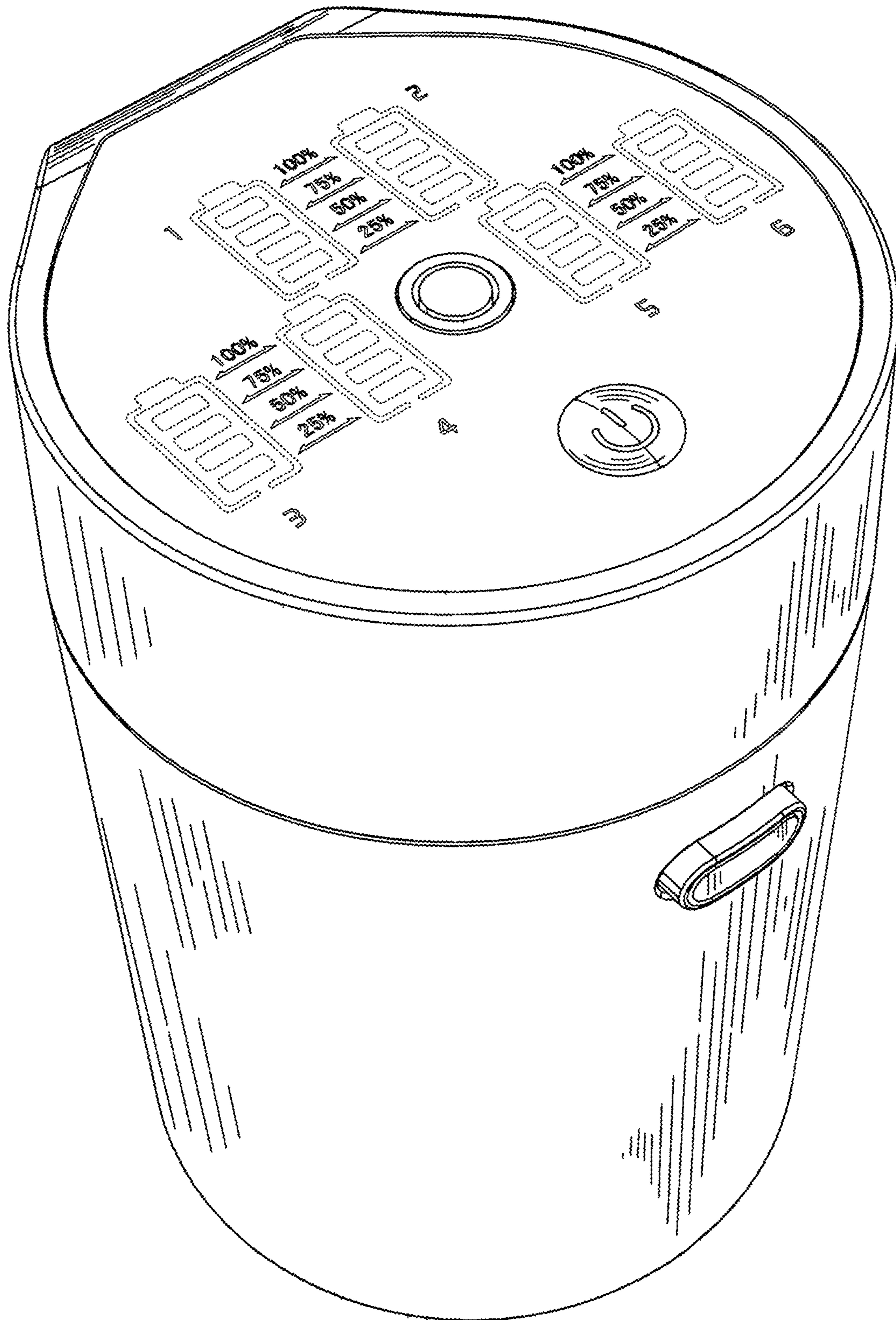


FIG.2

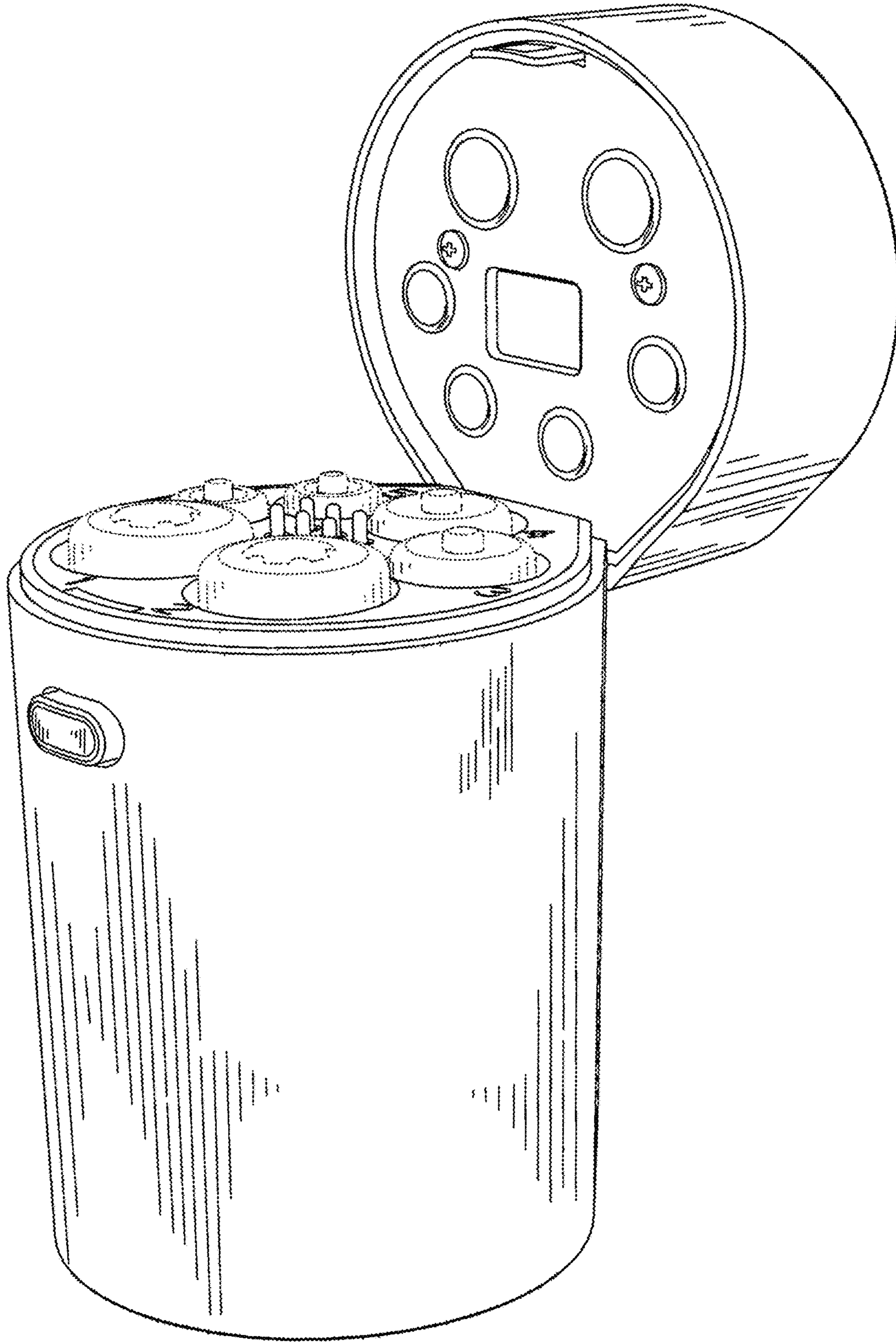


FIG. 3

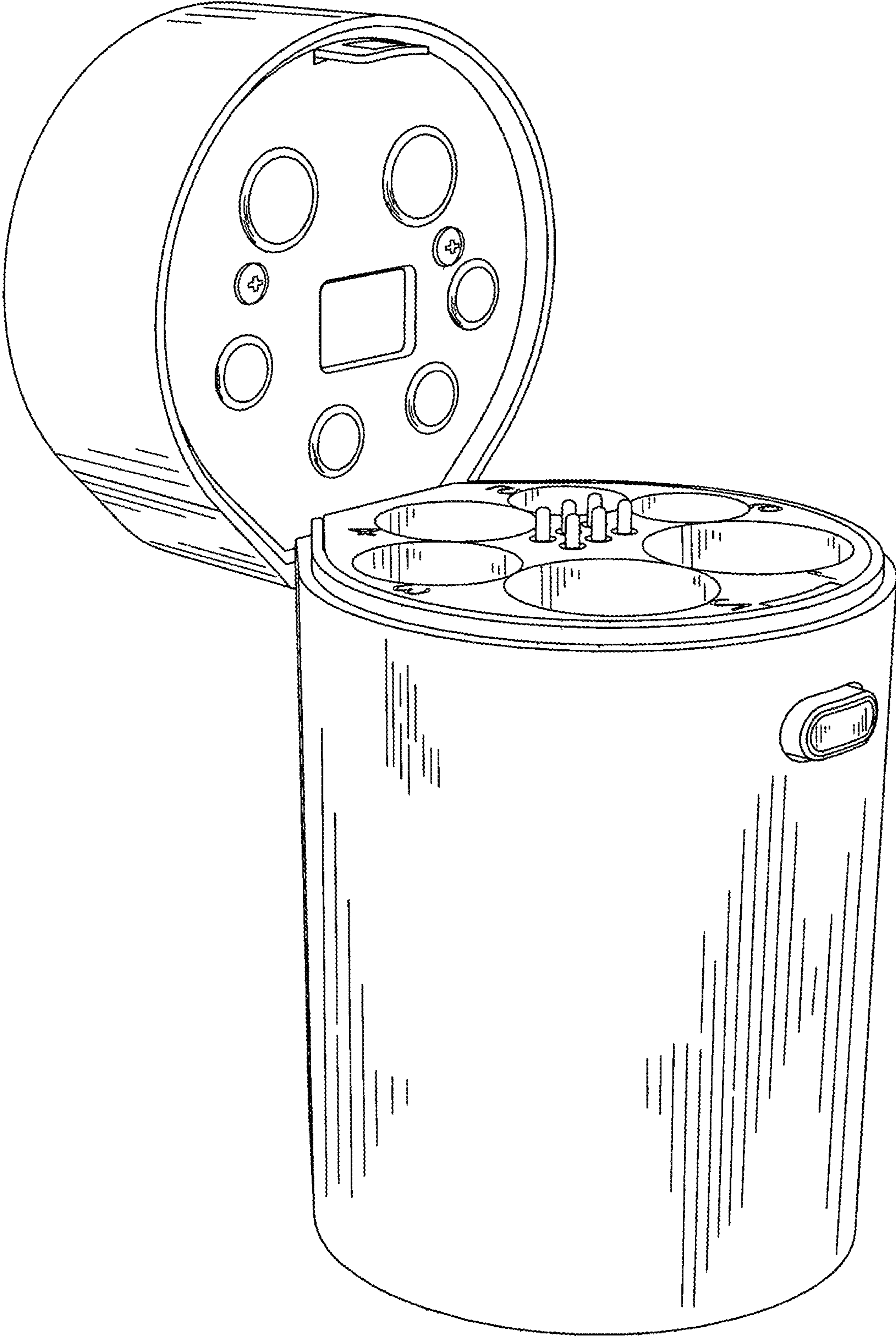


FIG.4

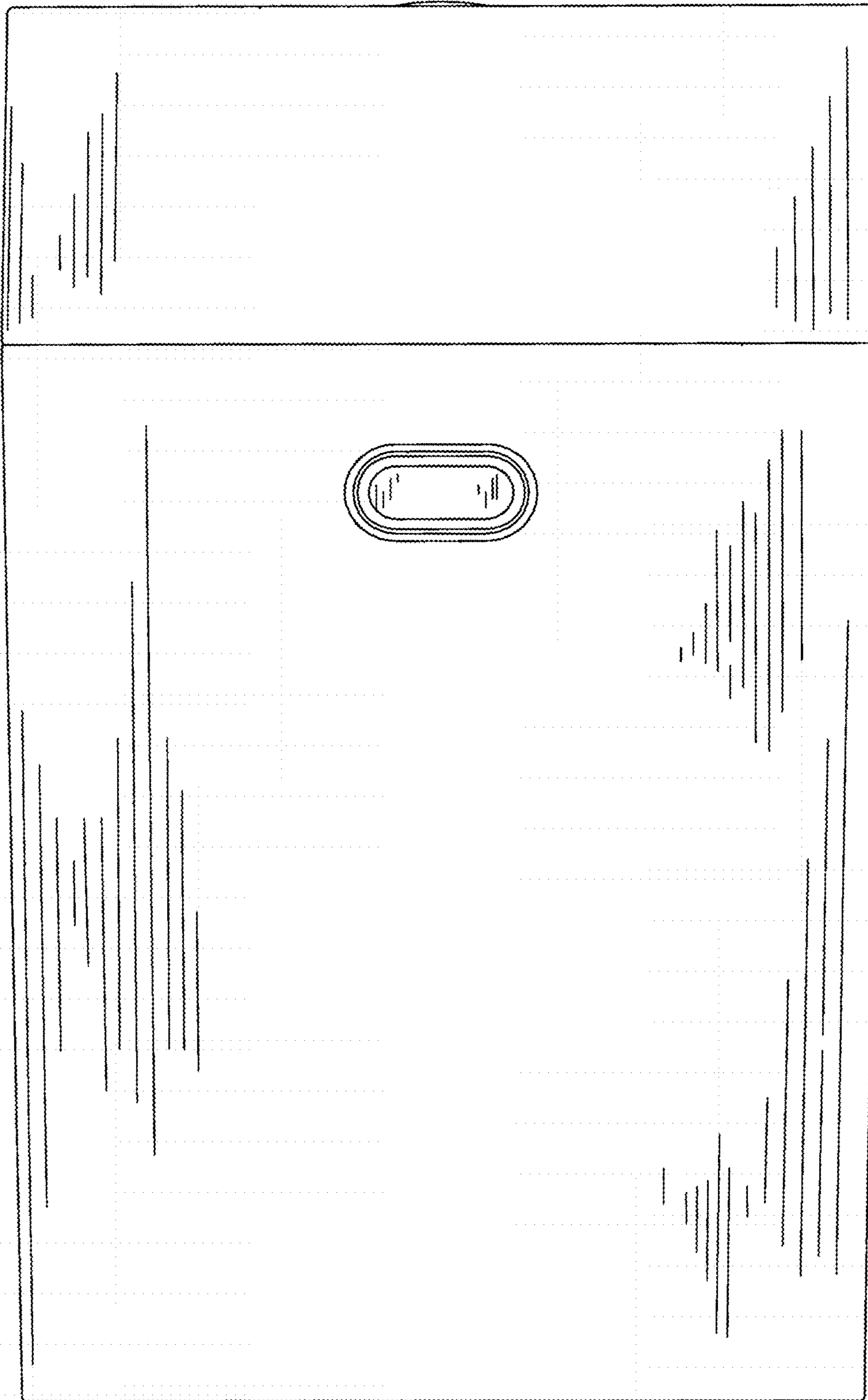


FIG. 5

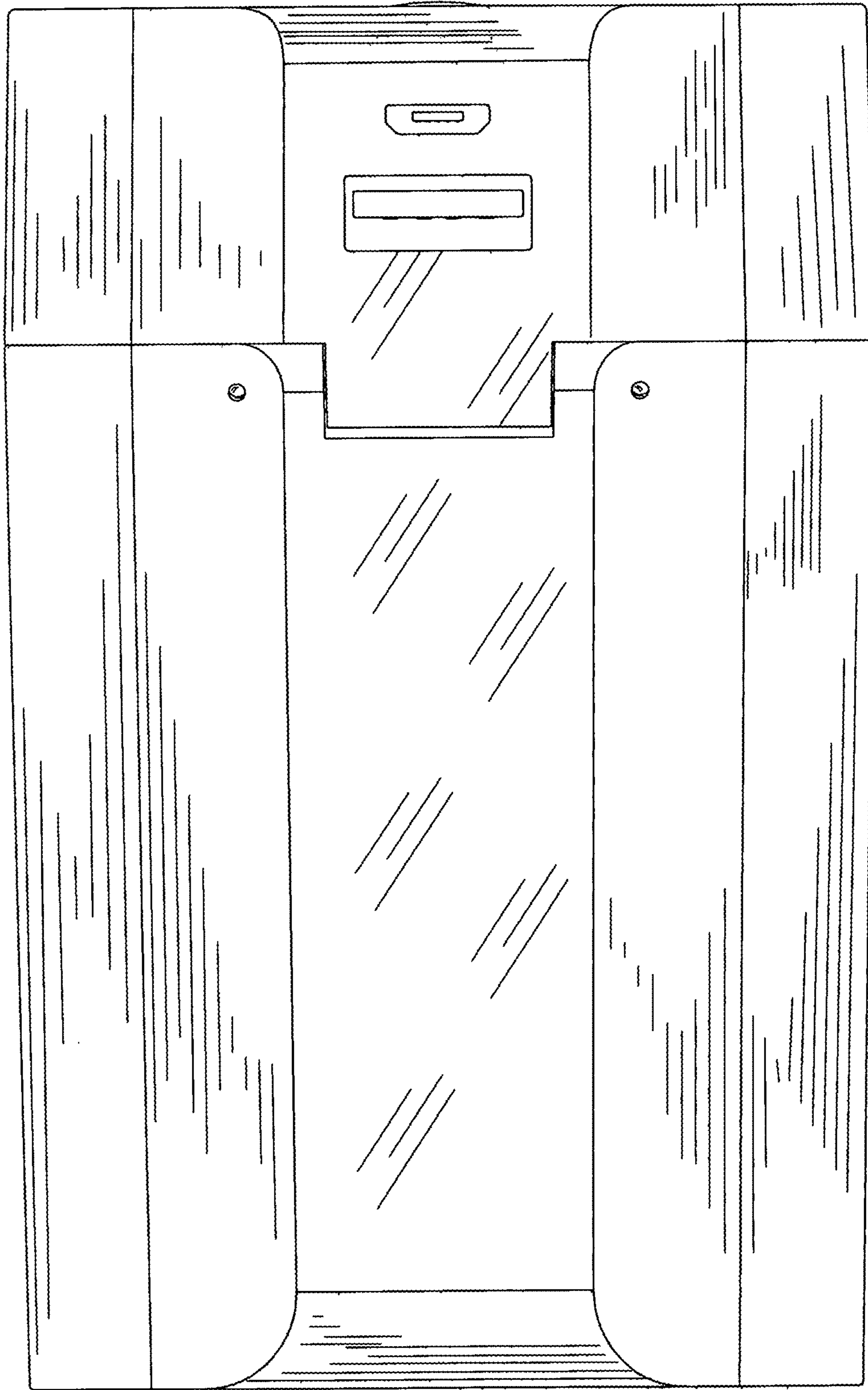


FIG.6

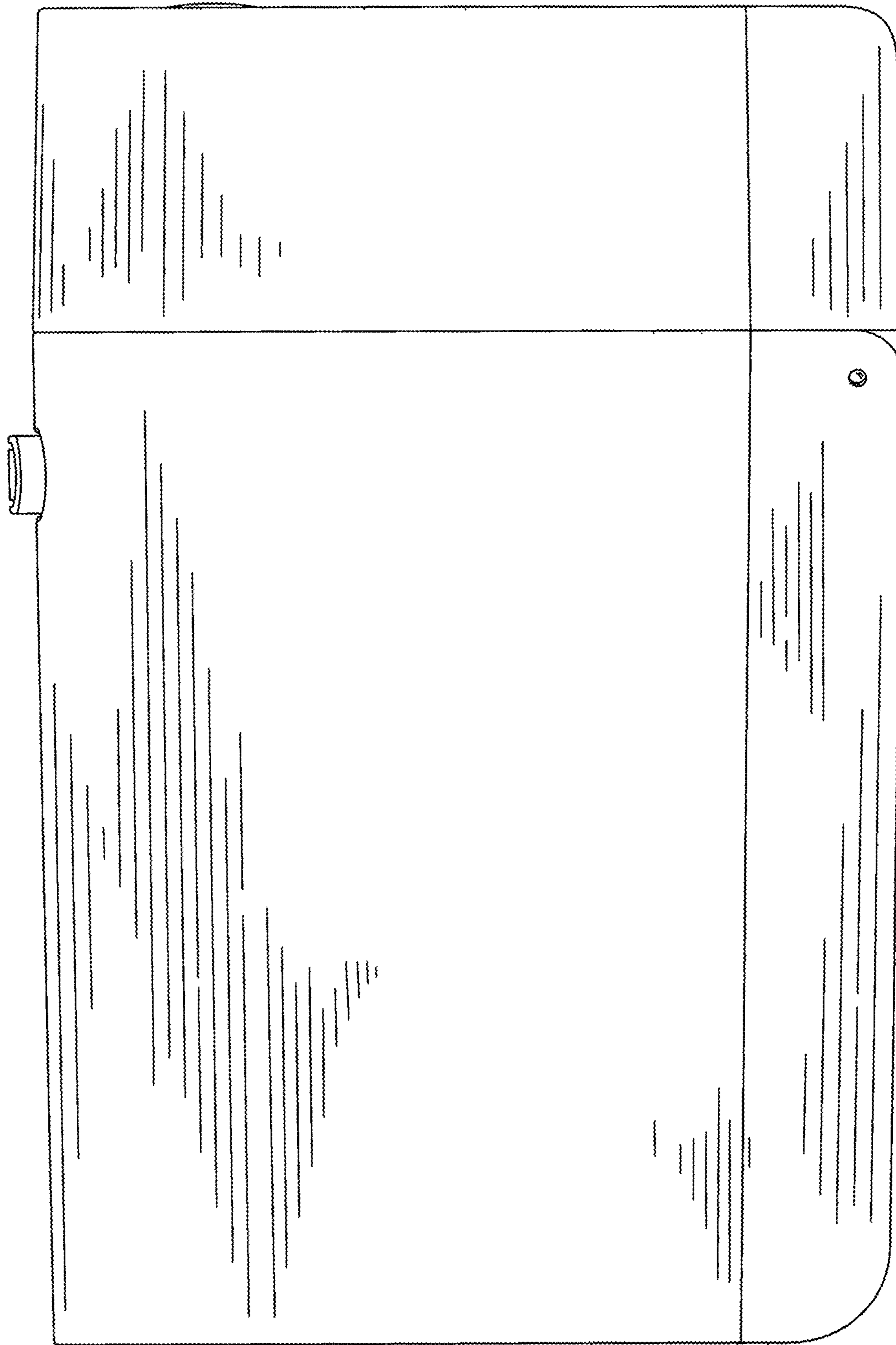


FIG. 7

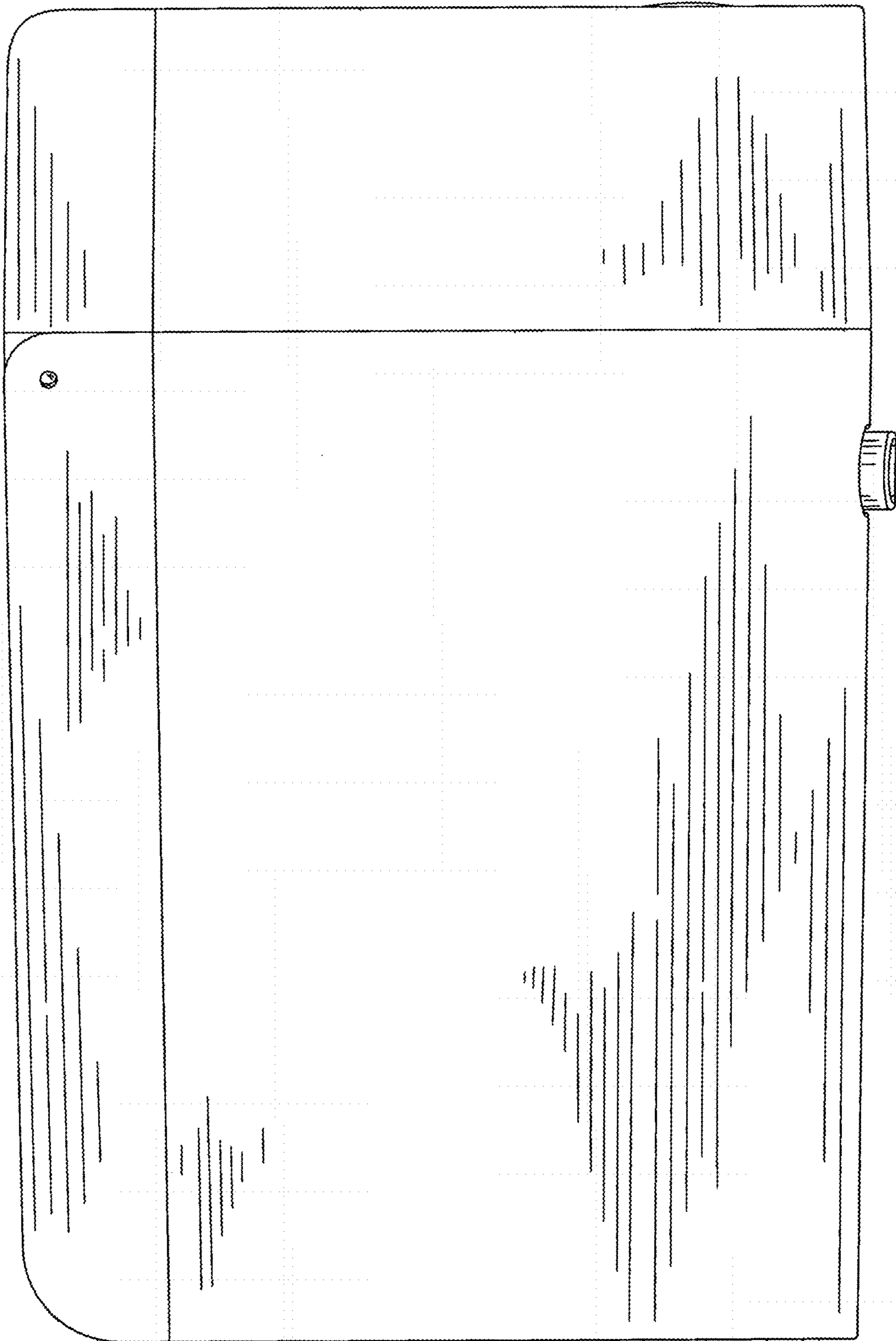


FIG. 8

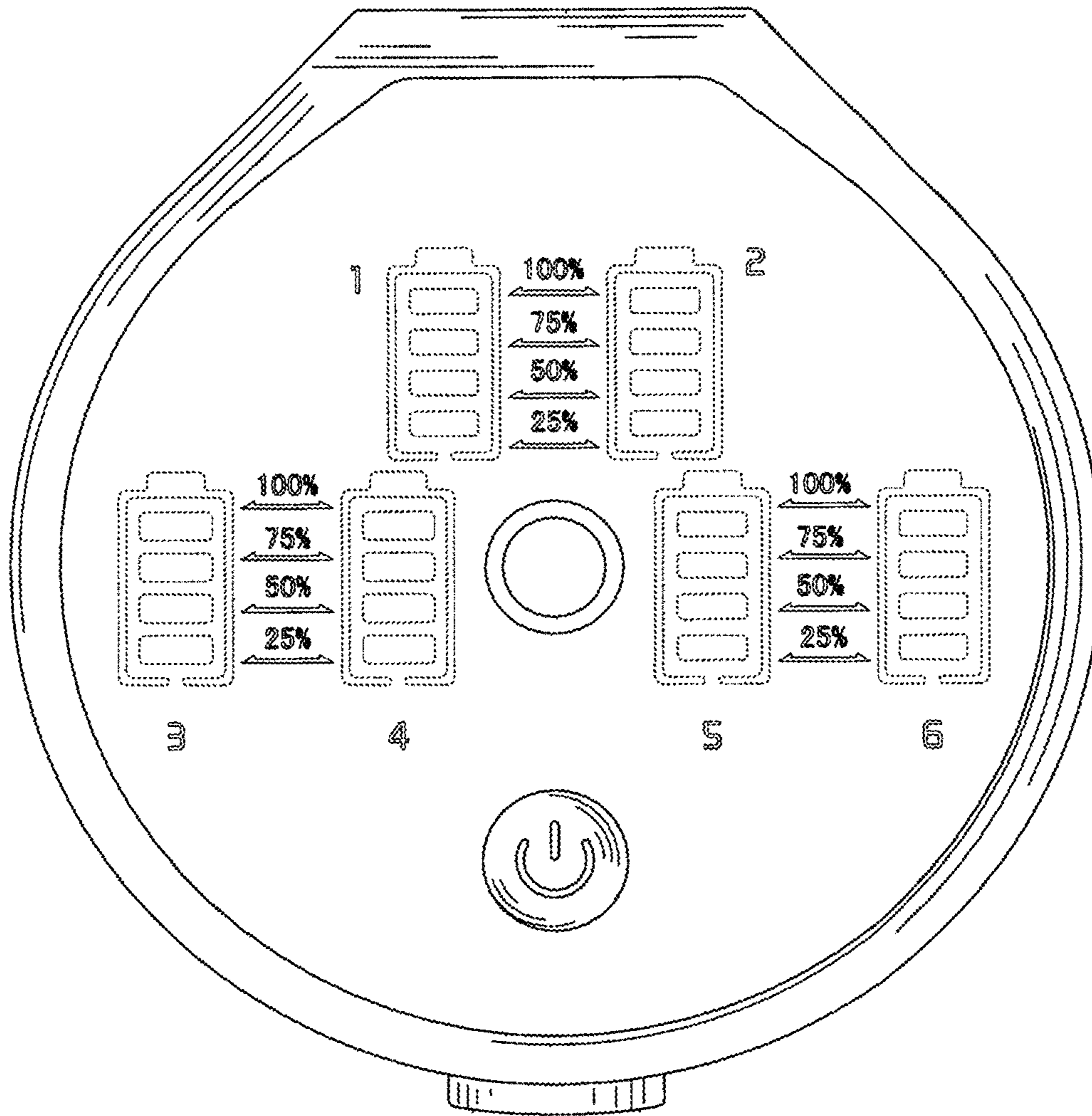


FIG. 9

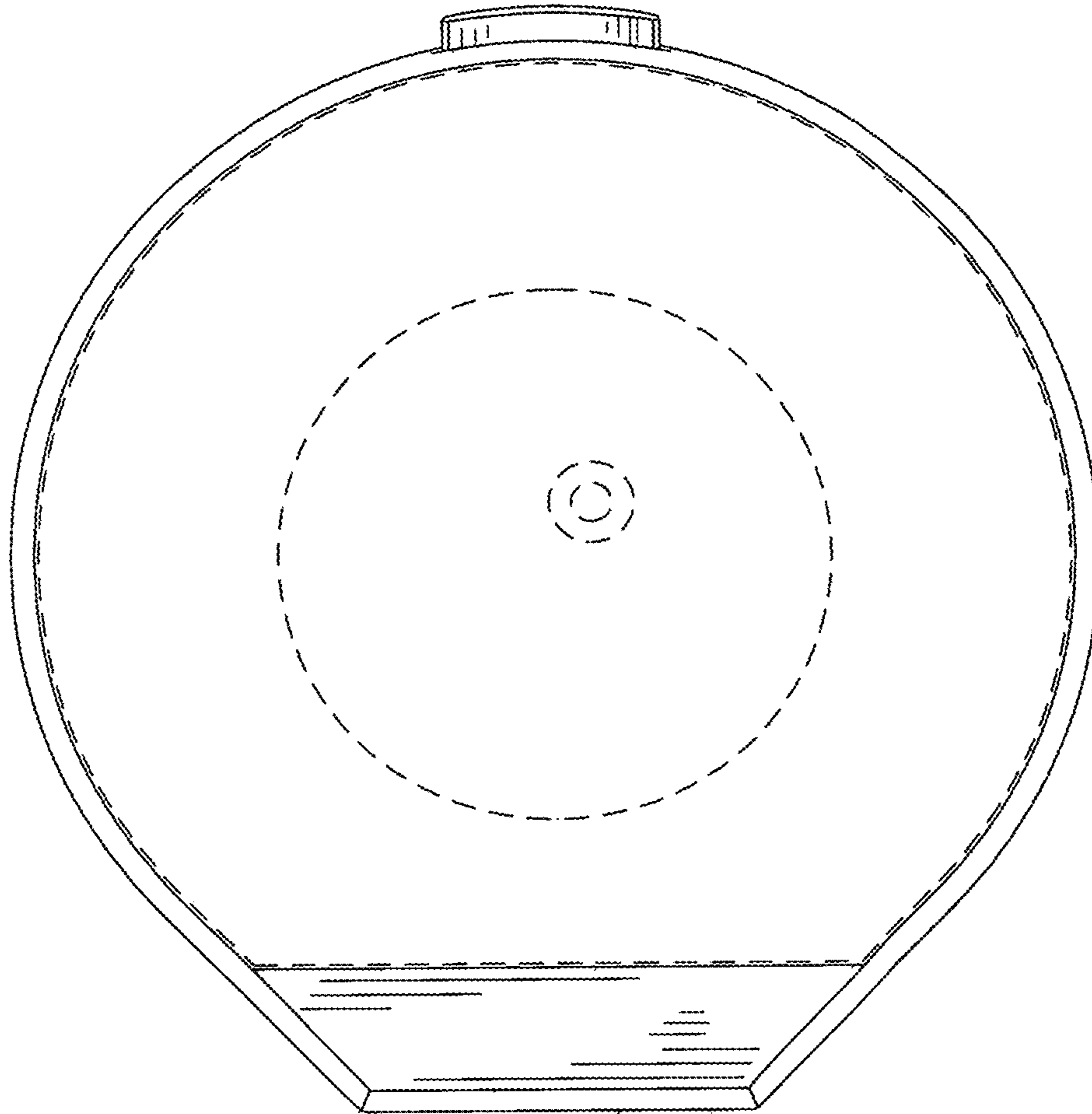


FIG. 10