



US00D889395S

(12) **United States Design Patent** (10) **Patent No.:** **US D889,395 S**
Birkholz et al. (45) **Date of Patent:** **** Jul. 7, 2020**

(54) **BATTERY**
(71) Applicant: **Integra LifeSciences Corporation**,
Plainsboro, NJ (US)
(72) Inventors: **Doug Birkholz**, Madison, WI (US);
Clay Mehnert, Madison, WI (US);
Brian Neeley, Cottage Grove, WI (US);
Steve Dieter, Oregon, WI (US)

D787,443 S * 5/2017 Chiang D13/110
D812,000 S * 3/2018 Li D13/108
D812,557 S * 3/2018 Rostami D13/103
D817,269 S * 5/2018 Sukphist D13/108
D823,247 S * 7/2018 Lemelson D13/108
D824,327 S * 7/2018 Kim D13/103
D836,543 S * 12/2018 Sun D13/108
D839,823 S * 2/2019 Lemelson D13/103
D877,064 S * 3/2020 Jiang D13/103

(73) Assignee: **Integra LifeSciences Corporation**,
Princeton, NJ (US)

(**) Term: **15 Years**

(21) Appl. No.: **29/665,542**

(22) Filed: **Oct. 4, 2018**

(51) **LOC (12) Cl.** **13-02**

(52) **U.S. Cl.**
USPC **D13/103**

(58) **Field of Classification Search**
USPC D13/102–106, 110, 118–119, 184
CPC Y02E 60/12; Y02E 60/122; Y02E 60/124;
Y02E 60/50; H01M 2/02; H01M 2/022;
H01M 2/0202; H01M 2/0207; H01M
2/0212; H01M 2/1061; H01M 2/1022;
H01M 2/1055; H01M 2/1066; H01M
2/105; H01M 2/204; H01M 2/1016;
H01M 2200/00; H01M 10/4257; H01M
10/0436; H01M 10/48; H01M 10/42
See application file for complete search history.

(56) **References Cited**

U.S. PATENT DOCUMENTS

D568,240 S * 5/2008 Haydvoegel D13/103
D580,349 S * 11/2008 Haydvoegel D13/103
D586,741 S * 2/2009 Song D13/103
D759,592 S * 6/2016 Santos D13/119

OTHER PUBLICATIONS

Integra Surgical Illumination and Visualization Systems Brochure,
2016, 12 pages, Integra LifeSciences Corporation, USA.
Sunoptic Surgical TITAN 9000-II LED Headlight System Operation
Manual, Oct. 2017, 50 pages, Sunoptic Technologies, USA.
Integra LED Surgical Headlight System Operation and Service
Manual, 2012, 22 pages, Integra LifeSciences Corporation, USA.
Miltex Loupes and LED Light Brochure, 2010, 8 pages, Integra
LifeSciences Corporation, USA.

* cited by examiner

Primary Examiner — Nathaniel D. Buckner

(74) *Attorney, Agent, or Firm* — Eva Tan

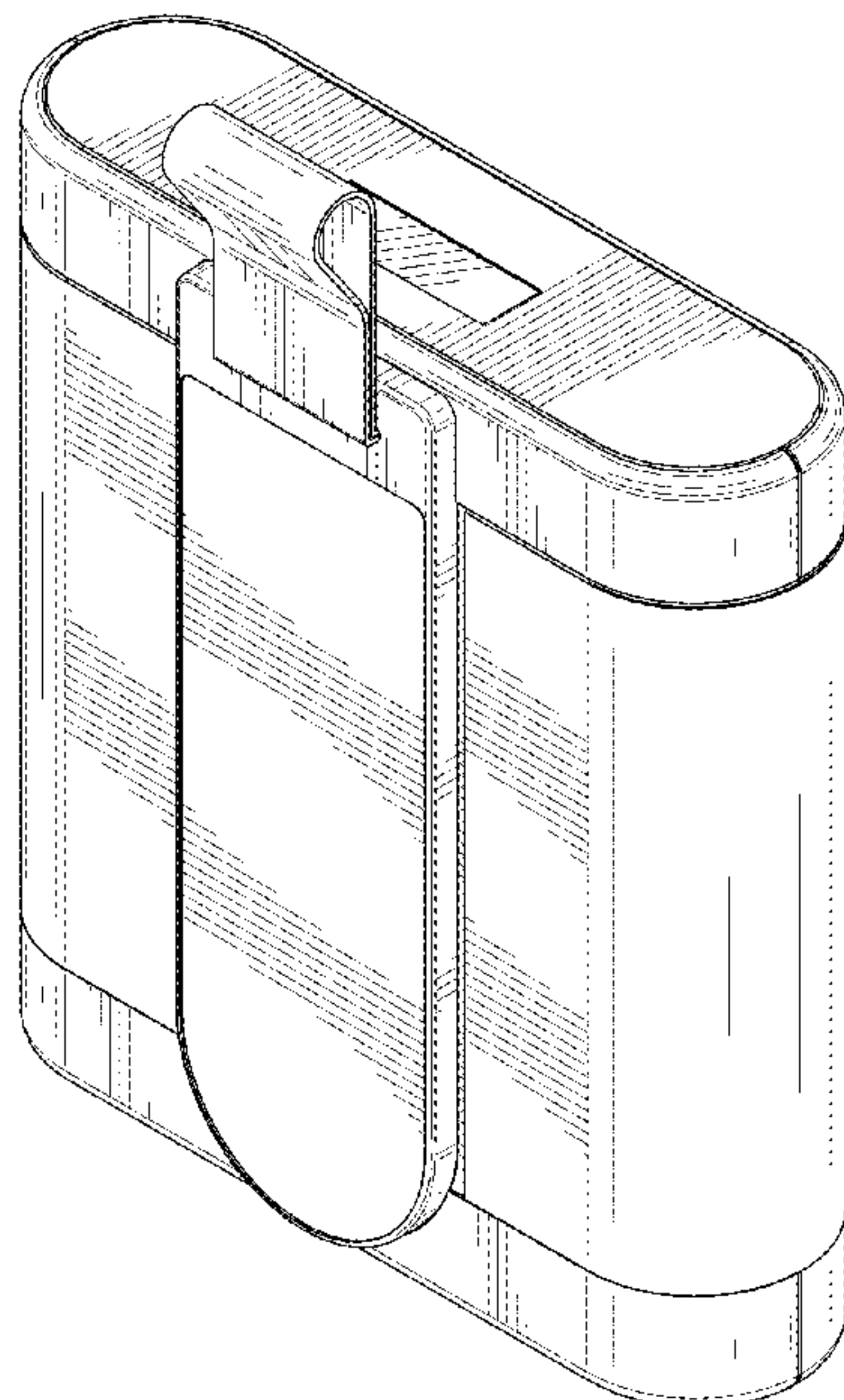
(57) **CLAIM**

The ornamental design for a battery, as shown and described.

DESCRIPTION

FIG. 1 is a perspective view of a battery;
FIG. 2 is a right side elevational view thereof;
FIG. 3 is a left side elevational view thereof;
FIG. 4 is a front elevational view thereof;
FIG. 5 is a rear elevational view thereof;
FIG. 6 is a top plan view thereof; and,
FIG. 7 is a bottom plan view thereof.
The broken lines depict portions of the article that form no
part of the claimed design.

1 Claim, 5 Drawing Sheets



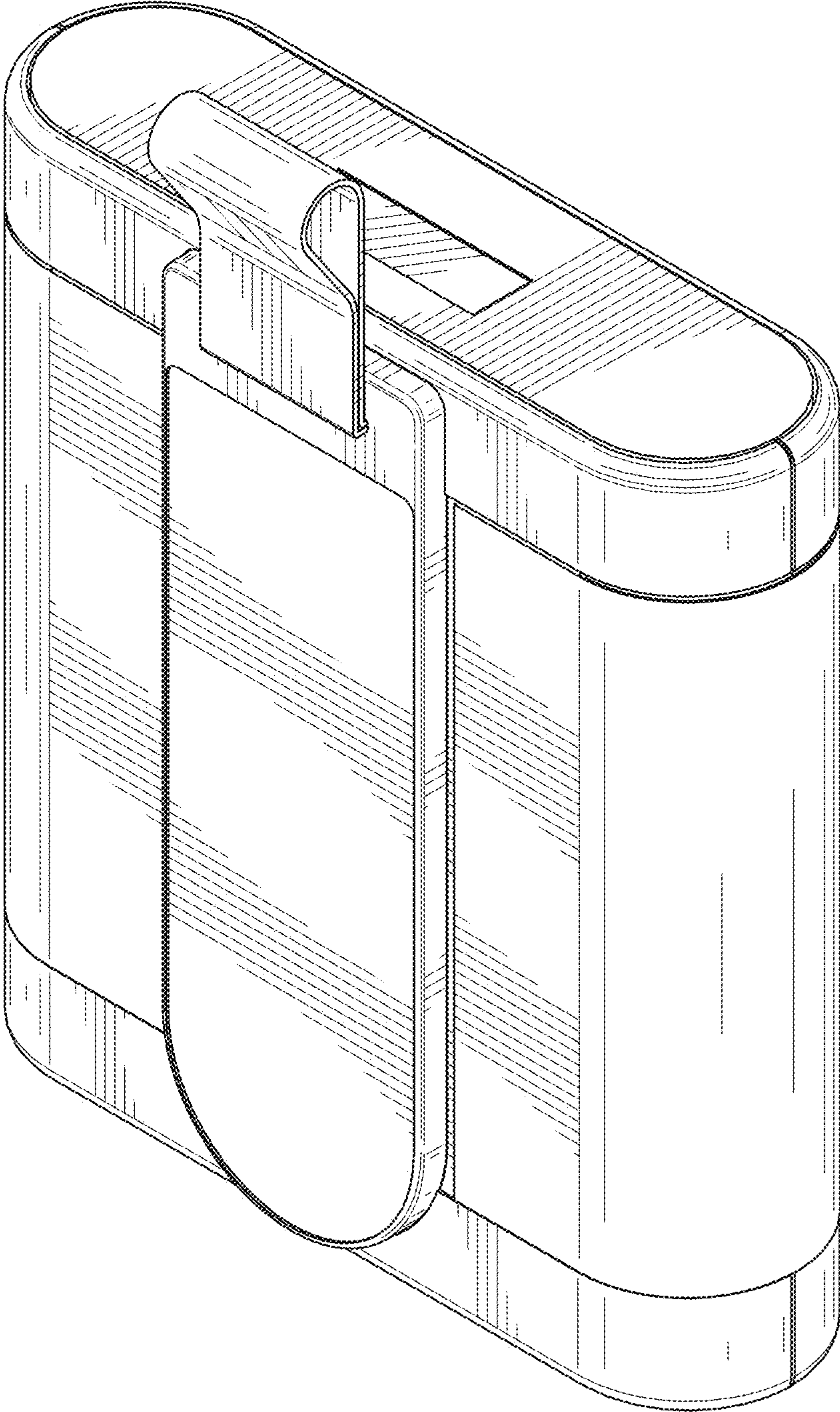


FIG. 1

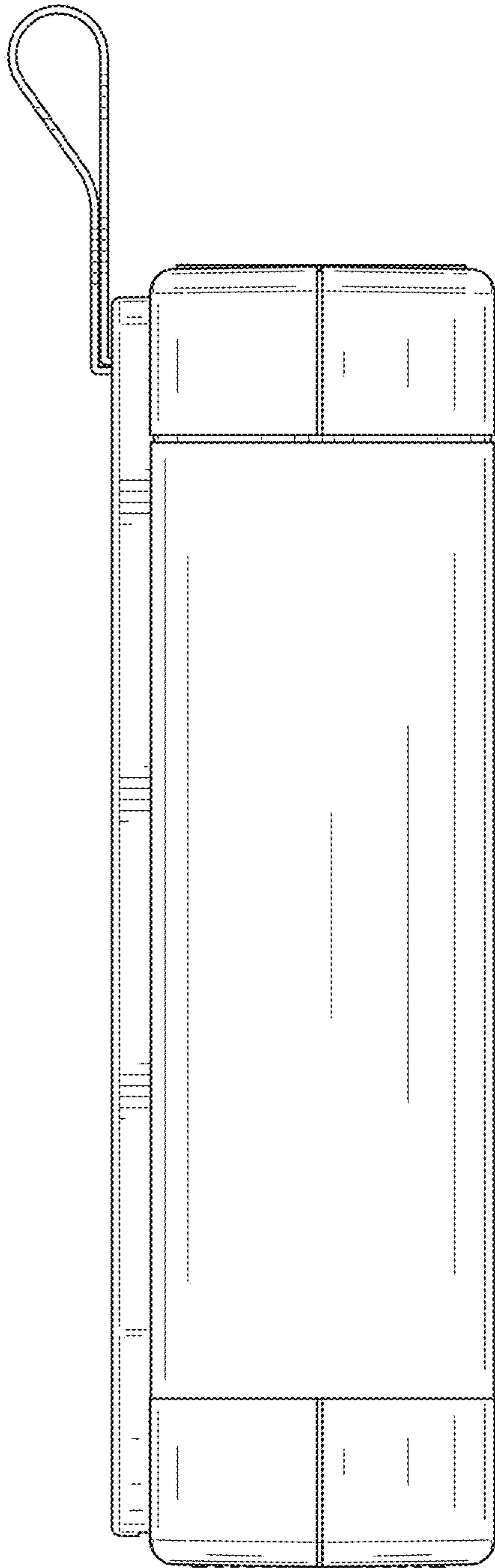


FIG. 2

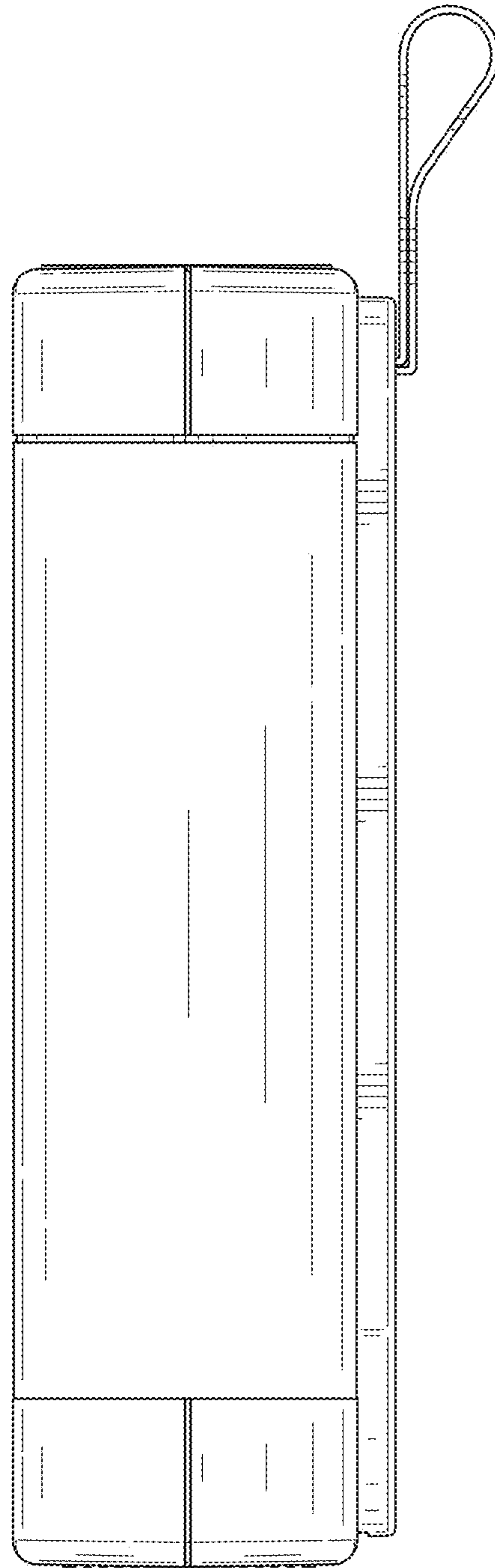


FIG. 3

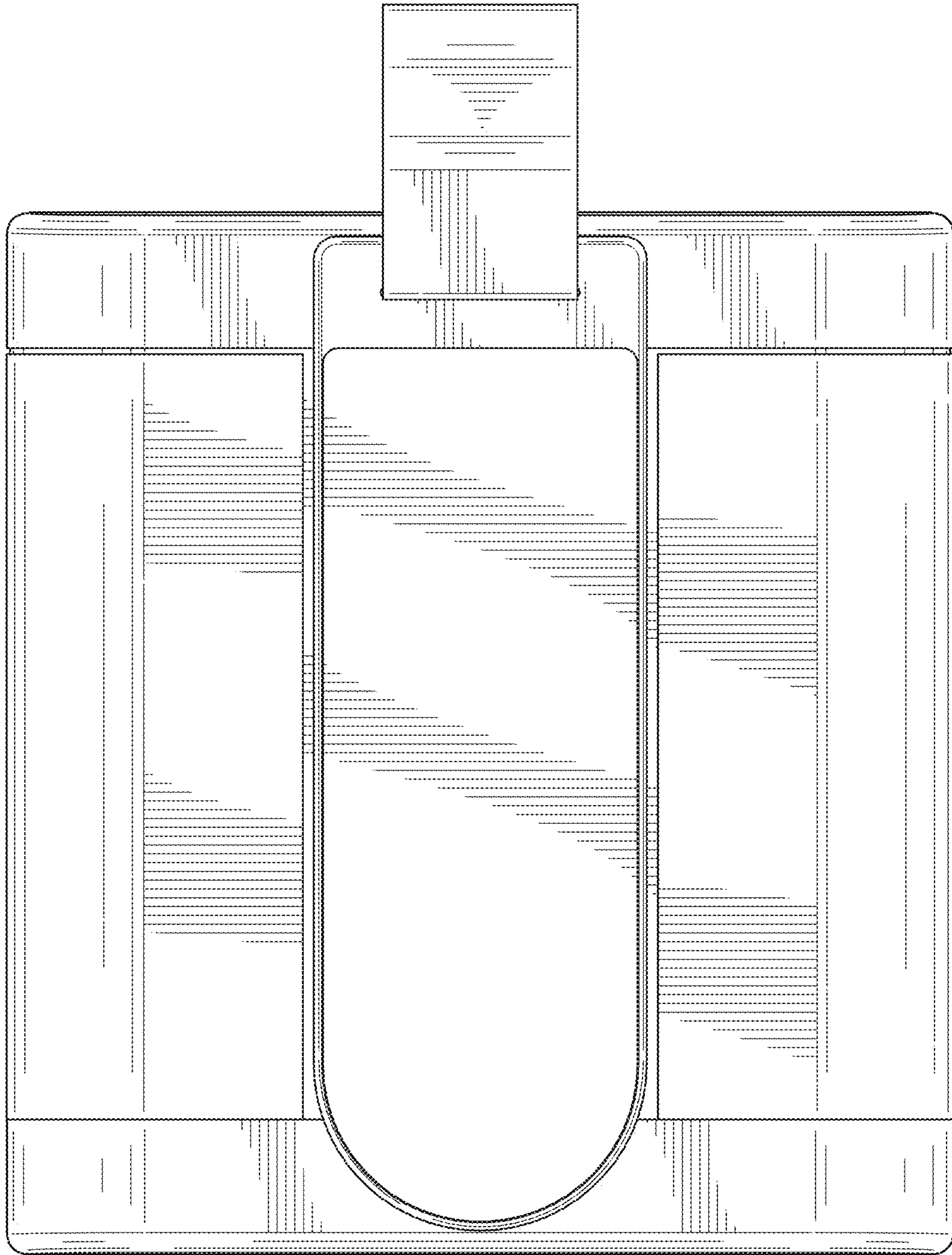


FIG. 4

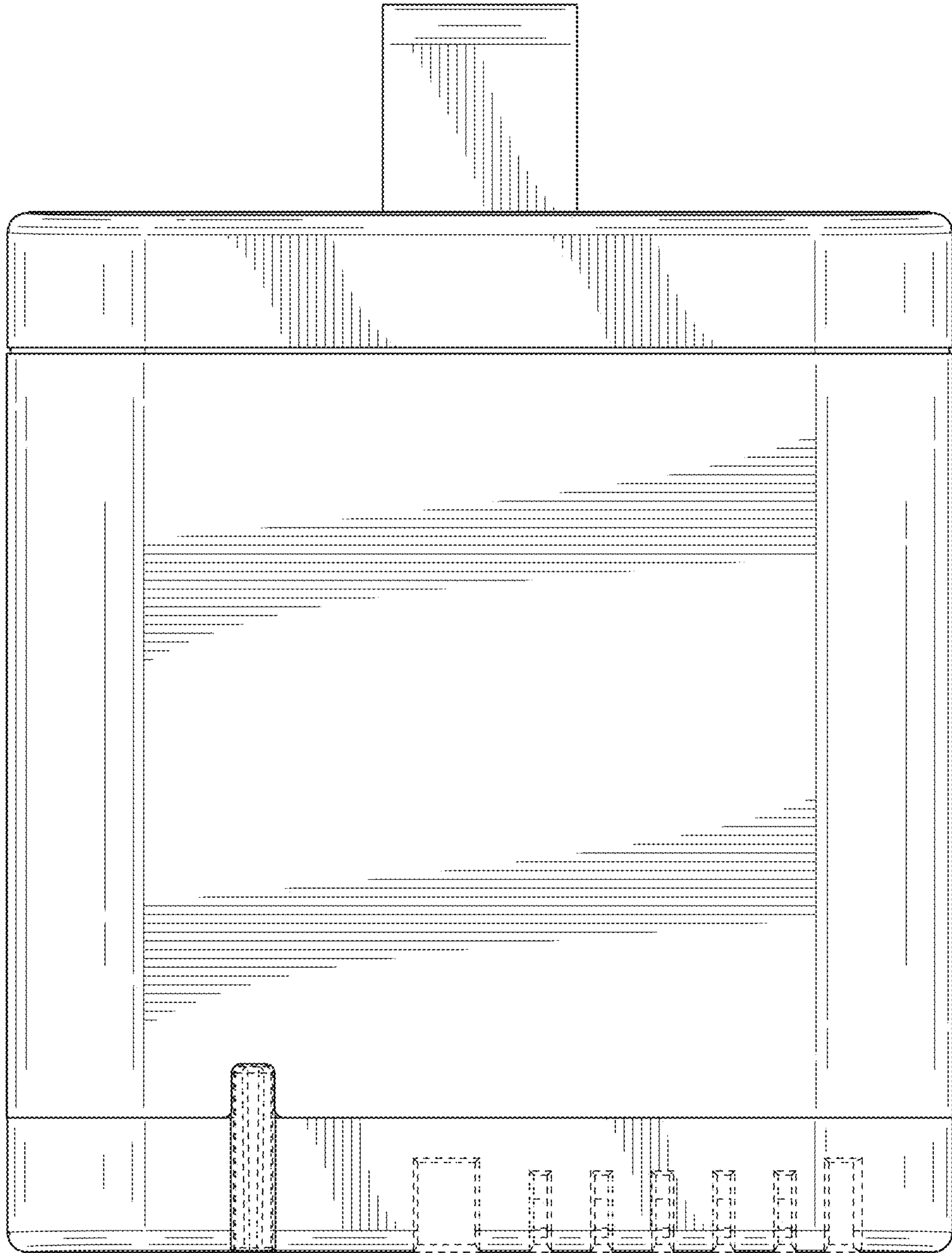


FIG. 5

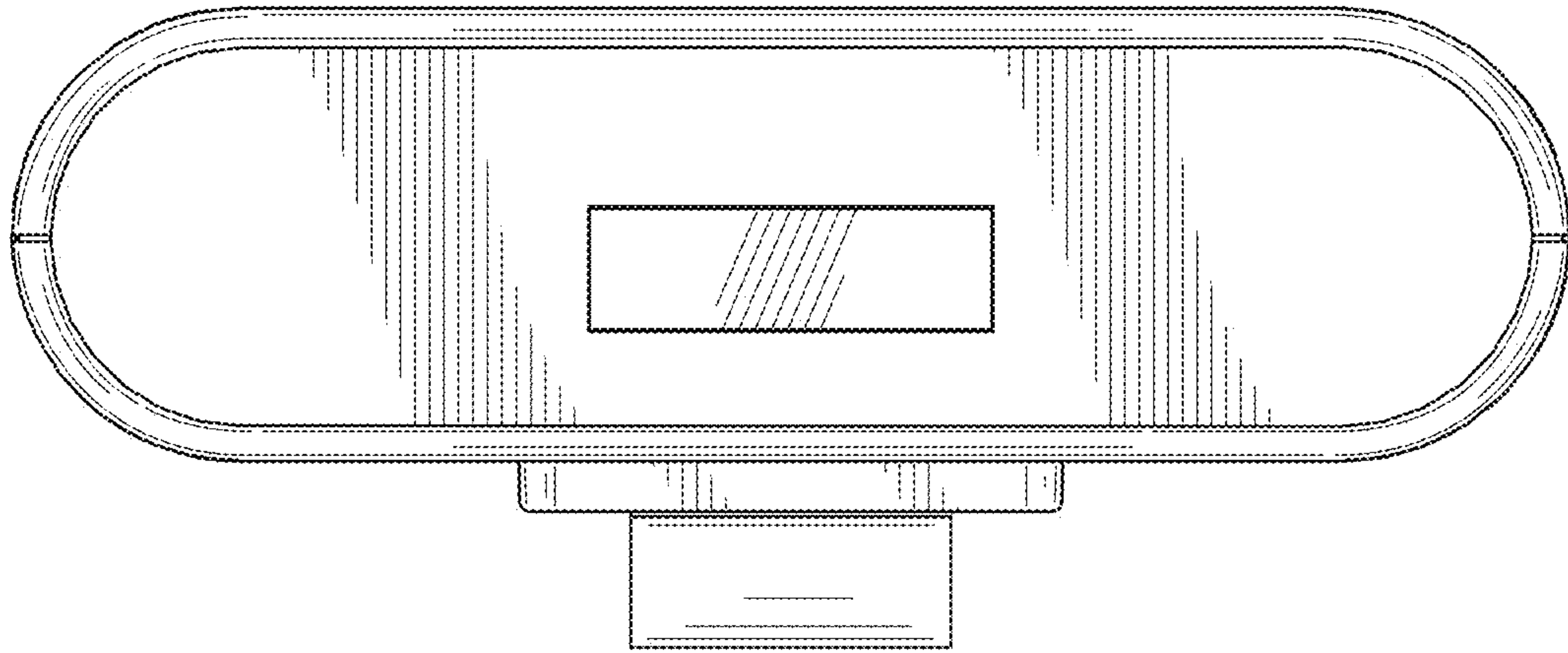


FIG. 6

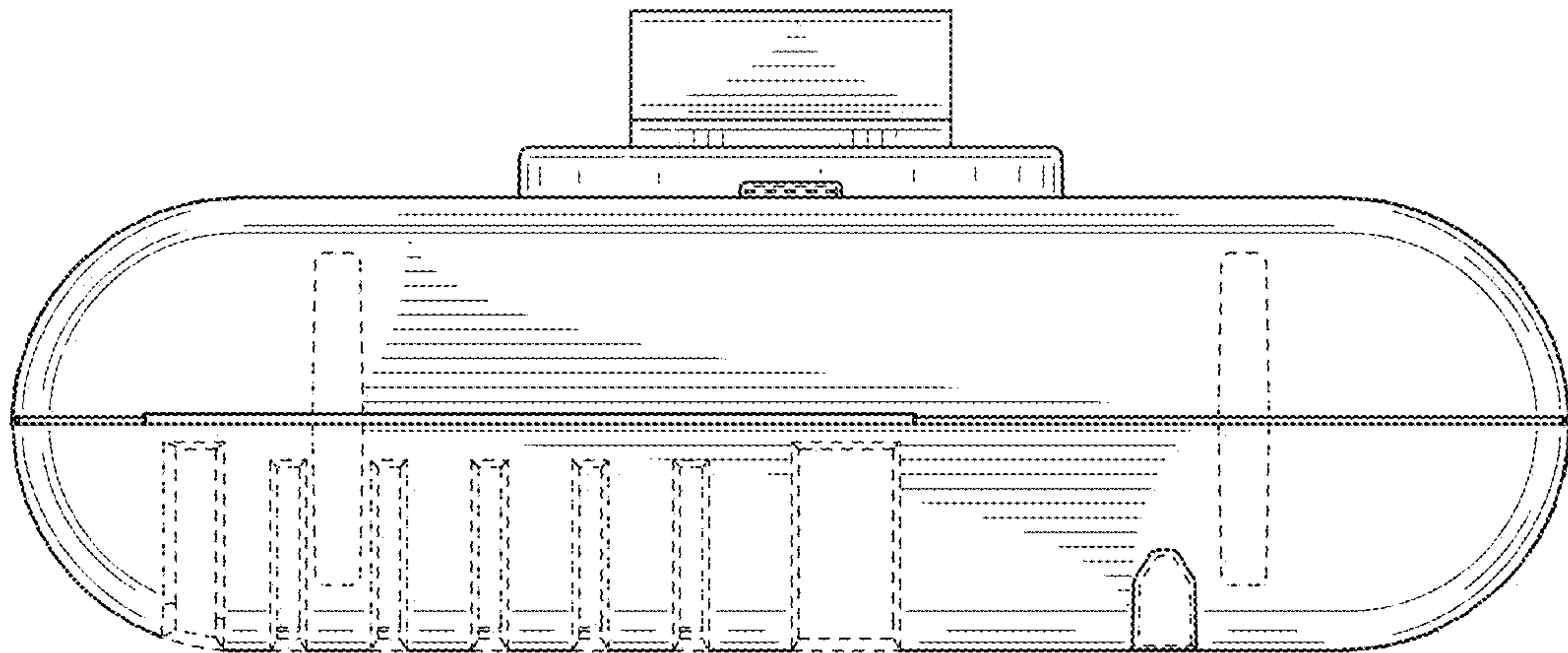


FIG. 7