



US00D889391S

(12) **United States Design Patent**
Endo et al.

(10) **Patent No.:** **US D889,391 S**
(45) **Date of Patent:** **** Jul. 7, 2020**

(54) **AUTOMOBILE TIRE**
(71) Applicant: **THE YOKOHAMA RUBBER CO., LTD.**, Minato-ku, Tokyo (JP)
(72) Inventors: **Toyoaki Endo**, Hiratsuka (JP); **Kenichi Sato**, Tokyo (JP); **Daigen Tsunekawa**, Hiratsuka (JP)
(73) Assignee: **The Yokohama Rubber Co., Ltd.**, Tokyo (JP)

JP D1495610 S 4/2014
JP D1496976 S 5/2014
JP D1497765 S 5/2014
JP D1521172 S 4/2015
JP D1535197 S 10/2015
JP D1537240 S 10/2016
JP D1537611 S 10/2016
JP D1537612 S 10/2016
KR 300579912 S 11/2010
KR 3005799121 S 11/2010

Primary Examiner — Robert M. Spear
(74) *Attorney, Agent, or Firm* — RatnerPrestia

(**) Term: **15 Years**

(57) **CLAIM**

(21) Appl. No.: **29/670,327**

The ornamental design for an automobile tire, as shown and described.

(22) Filed: **Nov. 15, 2018**

DESCRIPTION

(30) **Foreign Application Priority Data**

May 17, 2018 (JP) 2018-010889

(51) **LOC (12) Cl.** **12-15**

(52) **U.S. Cl.**
USPC **D12/604; D12/532**

(58) **Field of Classification Search**
USPC D12/521, 523, 604, 605, 532
CPC B60C 11/11; B60C 2011/0386; B60C 2011/0388; B60C 2011/039
See application file for complete search history.

FIG. 1 is a left front perspective view of an automobile tire showing our new design;
FIG. 2 is a right front perspective view thereof;
FIG. 3 is a front view thereof;
FIG. 4 is a rear view thereof;
FIG. 5 is a top plan view thereof;
FIG. 6 is a bottom plan views thereof;
FIG. 7 is a left side view thereof;
FIG. 8 is a right side view thereof;
FIG. 9 is an enlarged fragmental left front perspective view taken along lines 9-9 in FIG. 1;
FIG. 10 is an enlarged fragmental right front perspective view taken along lines 10-10 in FIG. 2;
FIG. 11 is an enlarged fragmental front view taken along lines 11-11 in FIG. 3; and,
FIG. 12 is an enlarged fragmental left side view taken along lines 12-12 in FIG. 7.
The dashed broken lines in the drawings are for the purpose of illustrating unclaimed portions of the tire and form no part of the claimed design.

(56) **References Cited**

U.S. PATENT DOCUMENTS

D785,543 S 5/2017 Suzuki

FOREIGN PATENT DOCUMENTS

JP D1308639 S 8/2007
JP D1425717 S 4/2012
JP D1453434 S 10/2012
JP D1463560 S 3/2013

1 Claim, 8 Drawing Sheets

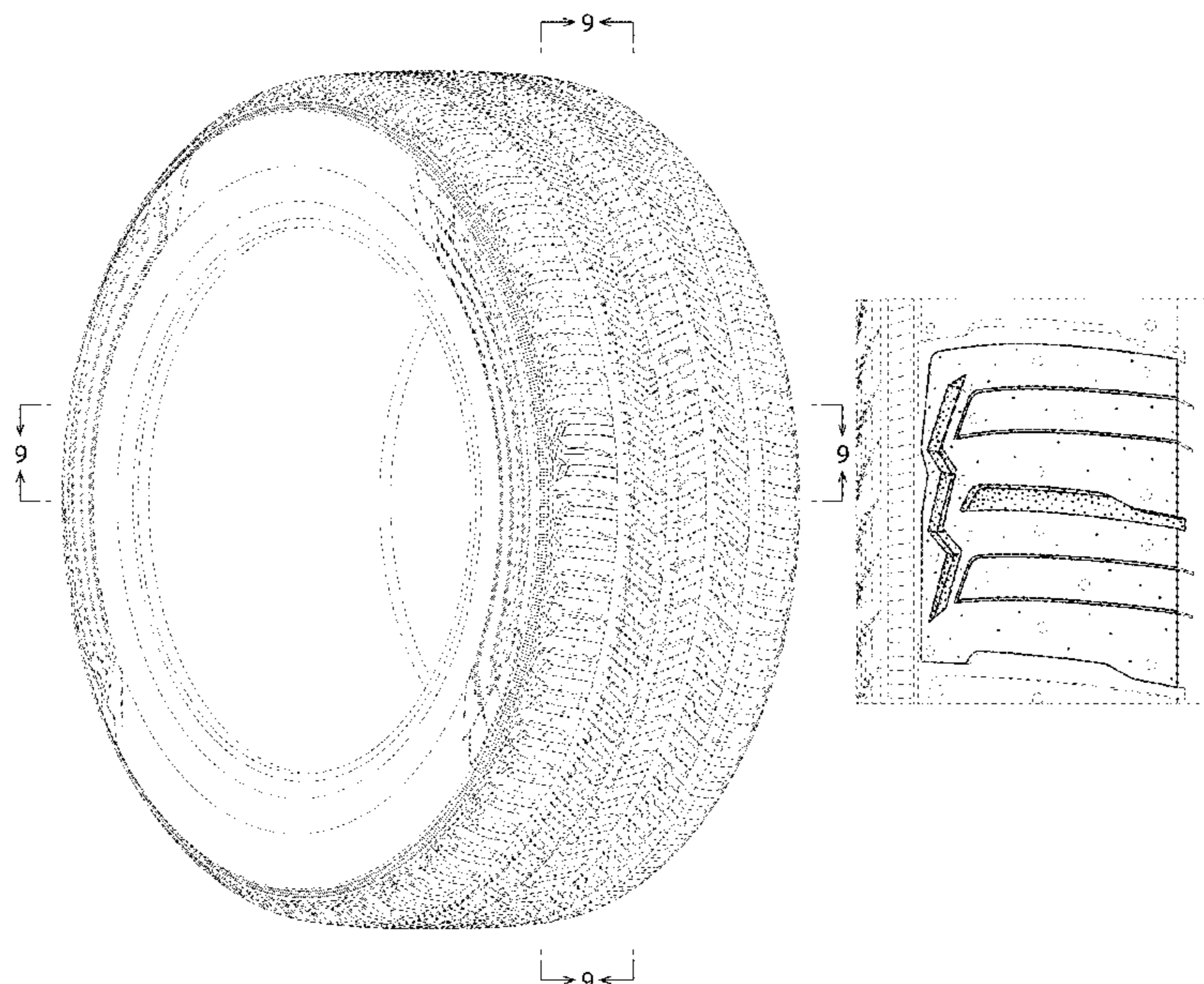


FIG.1

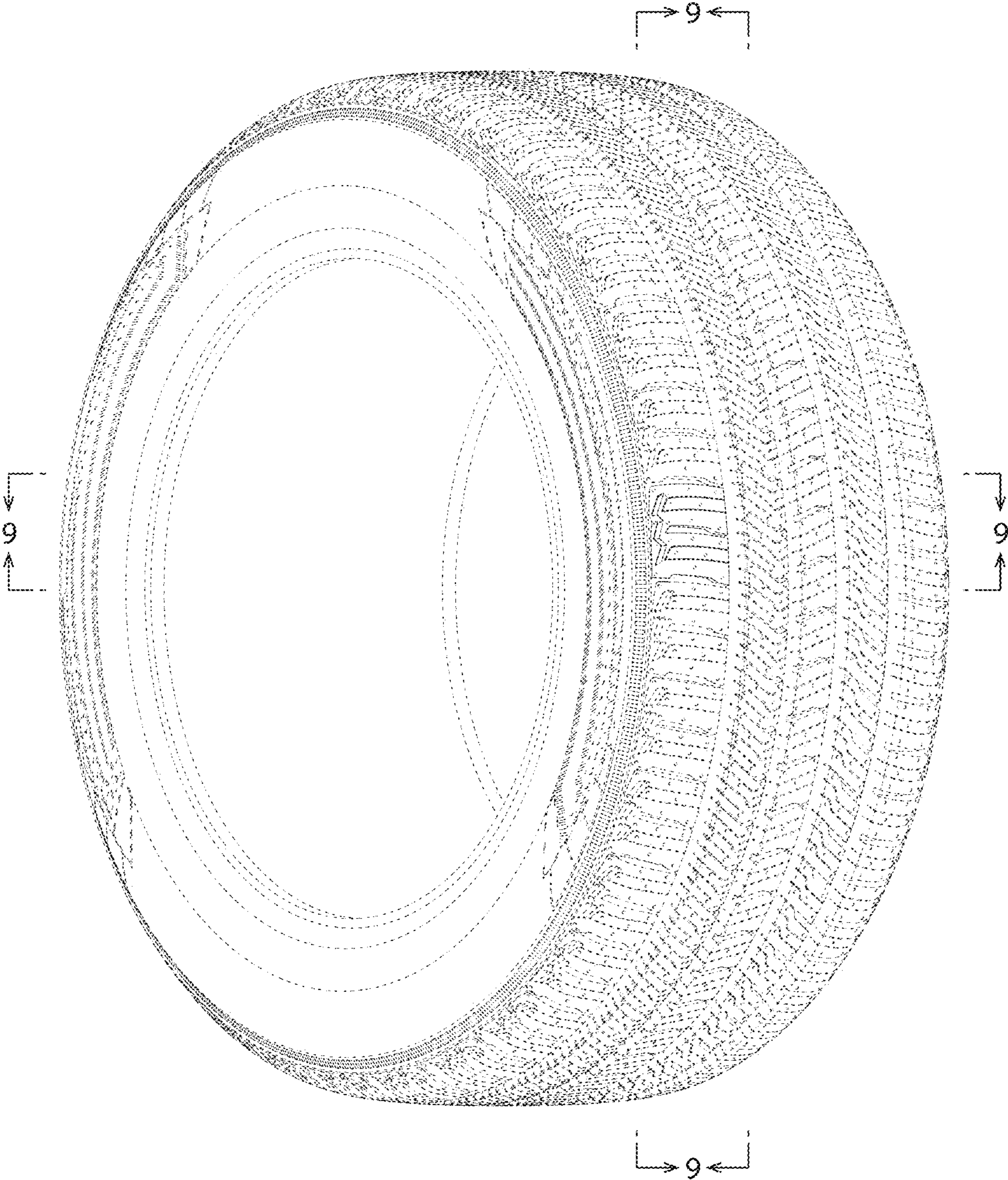


FIG.2

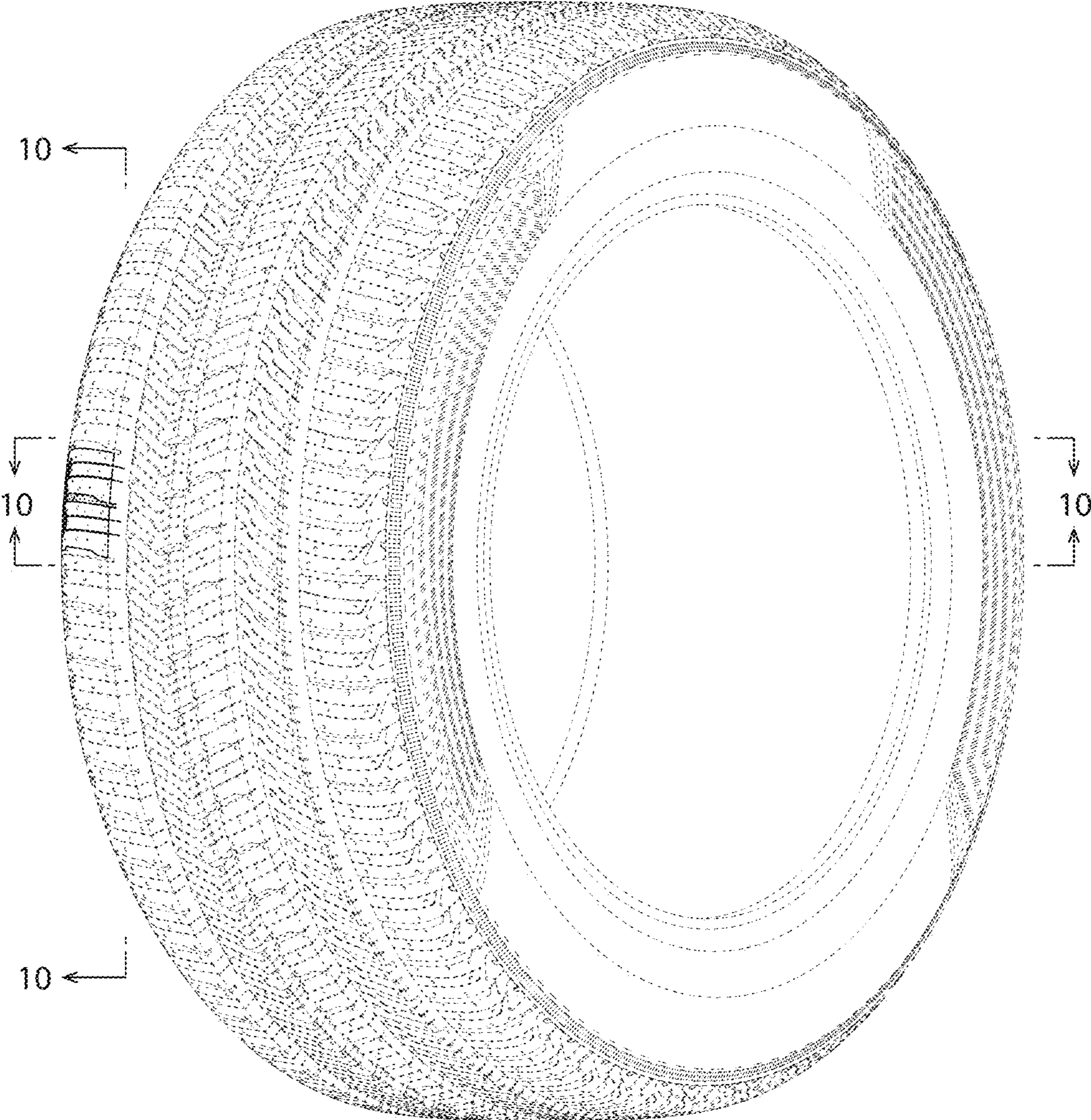


FIG.3

FIG.4

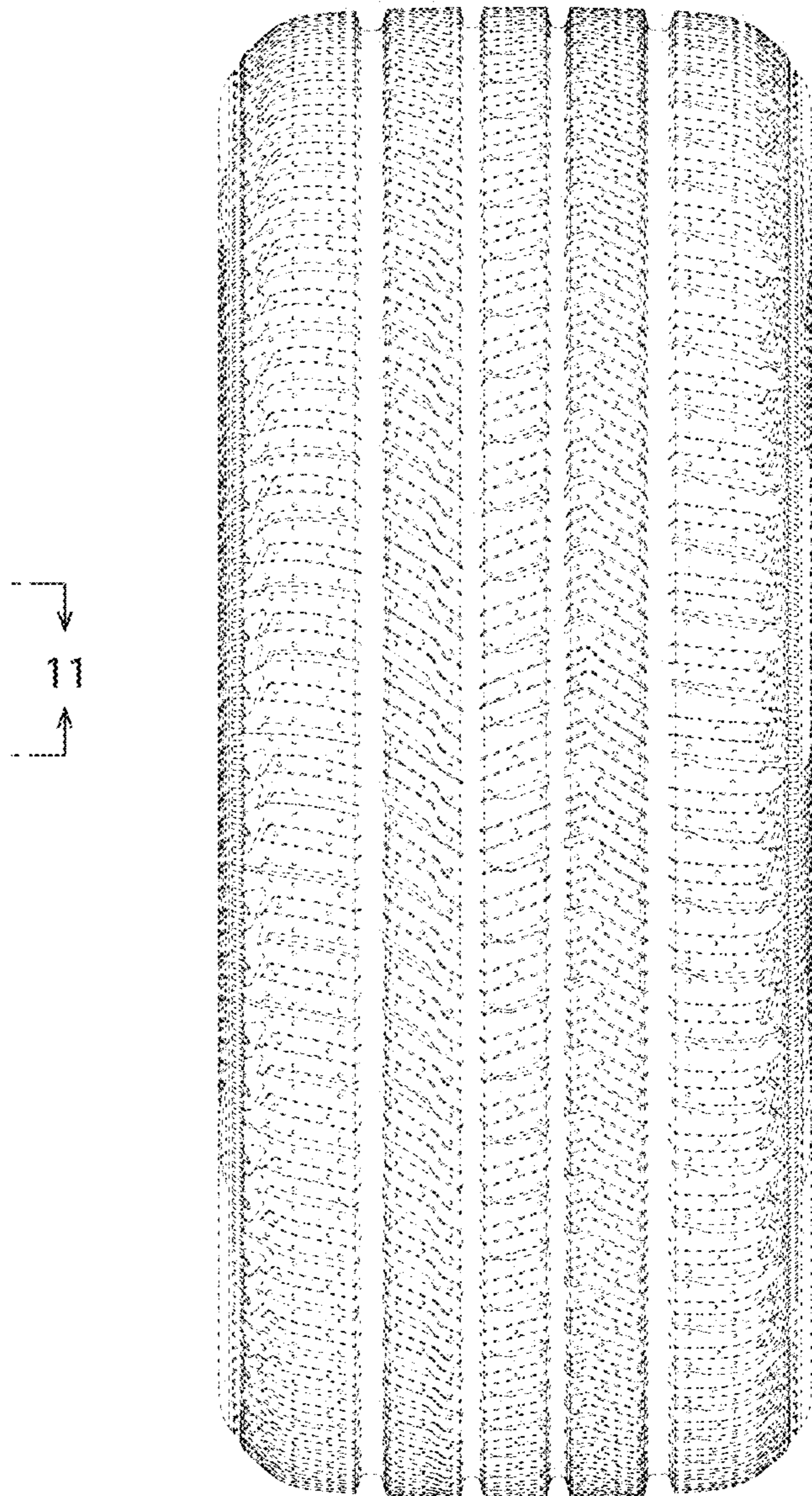
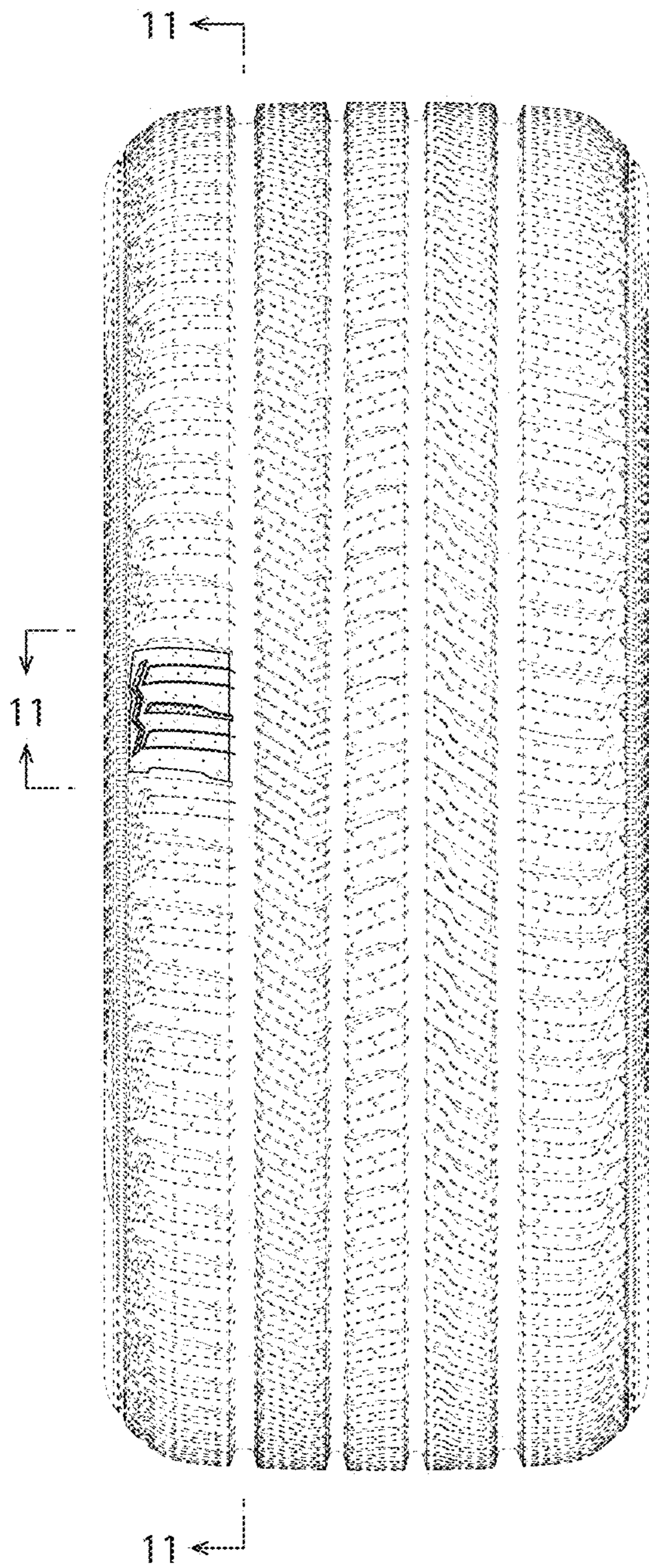


FIG.5

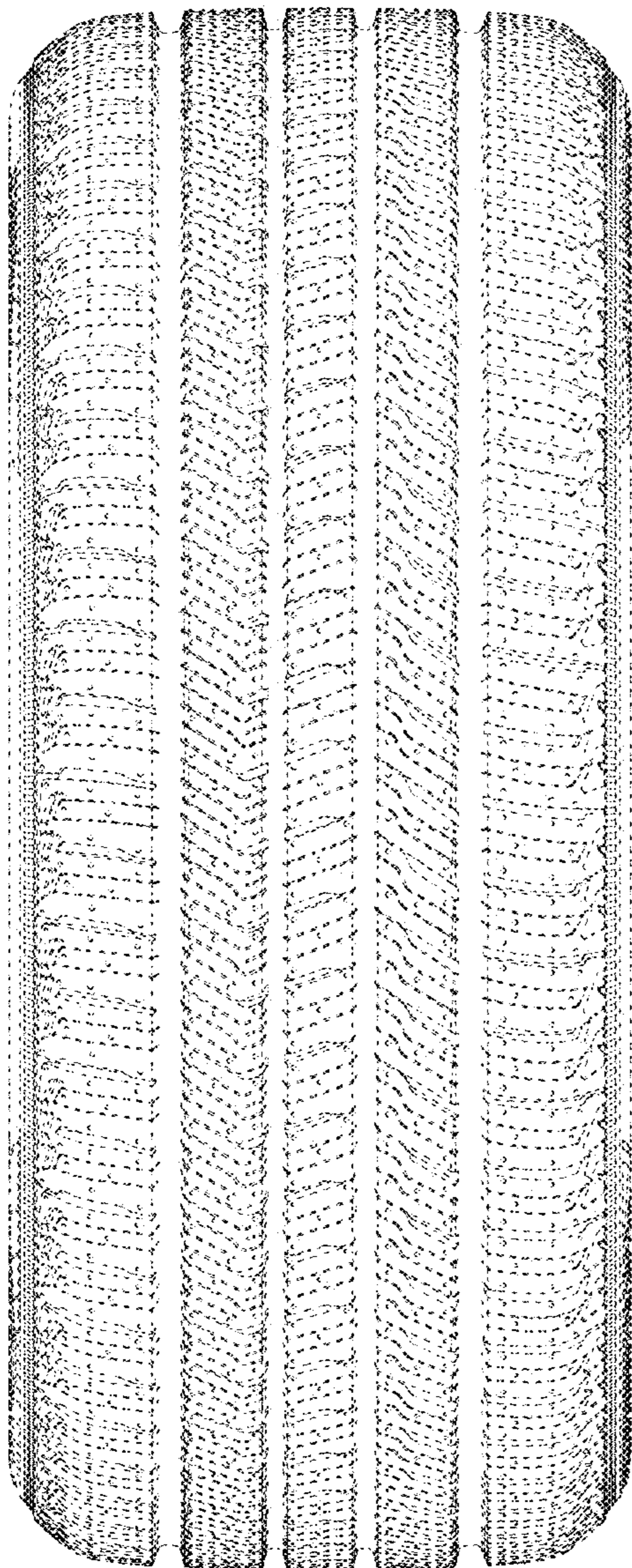


FIG.6

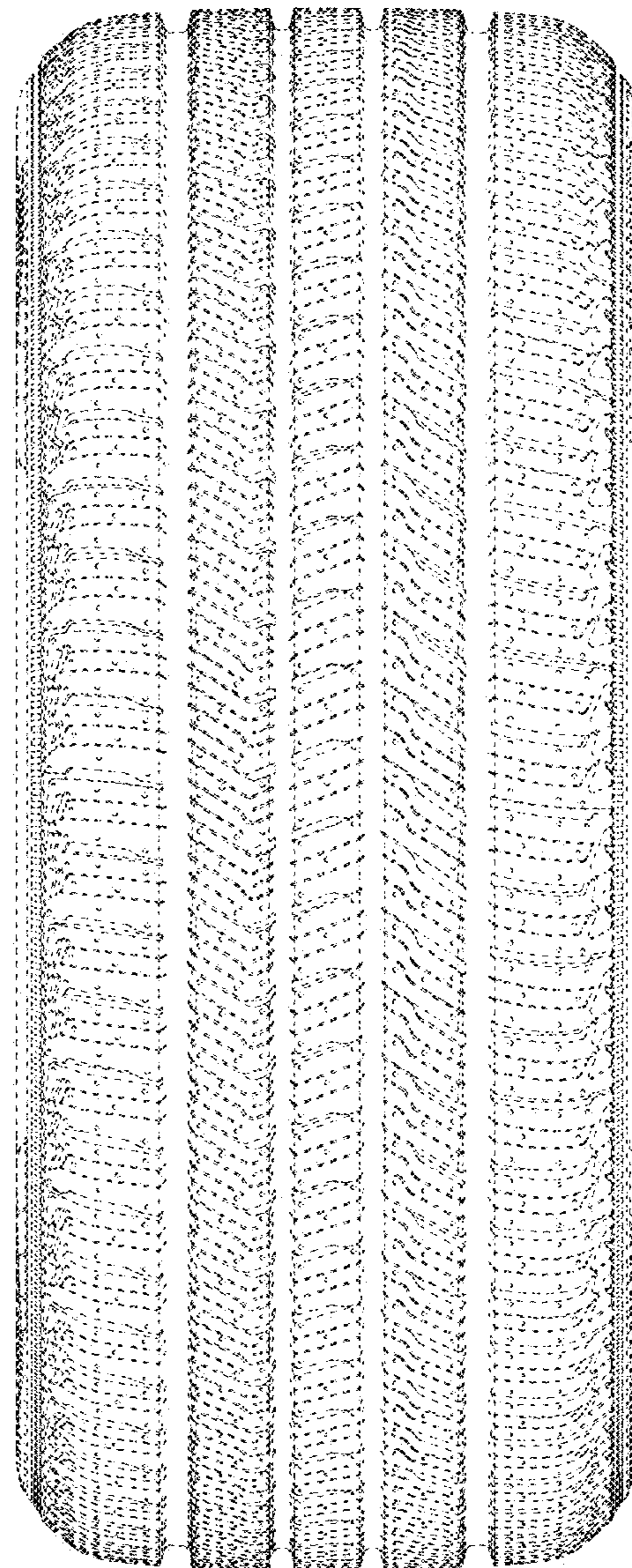


FIG.7

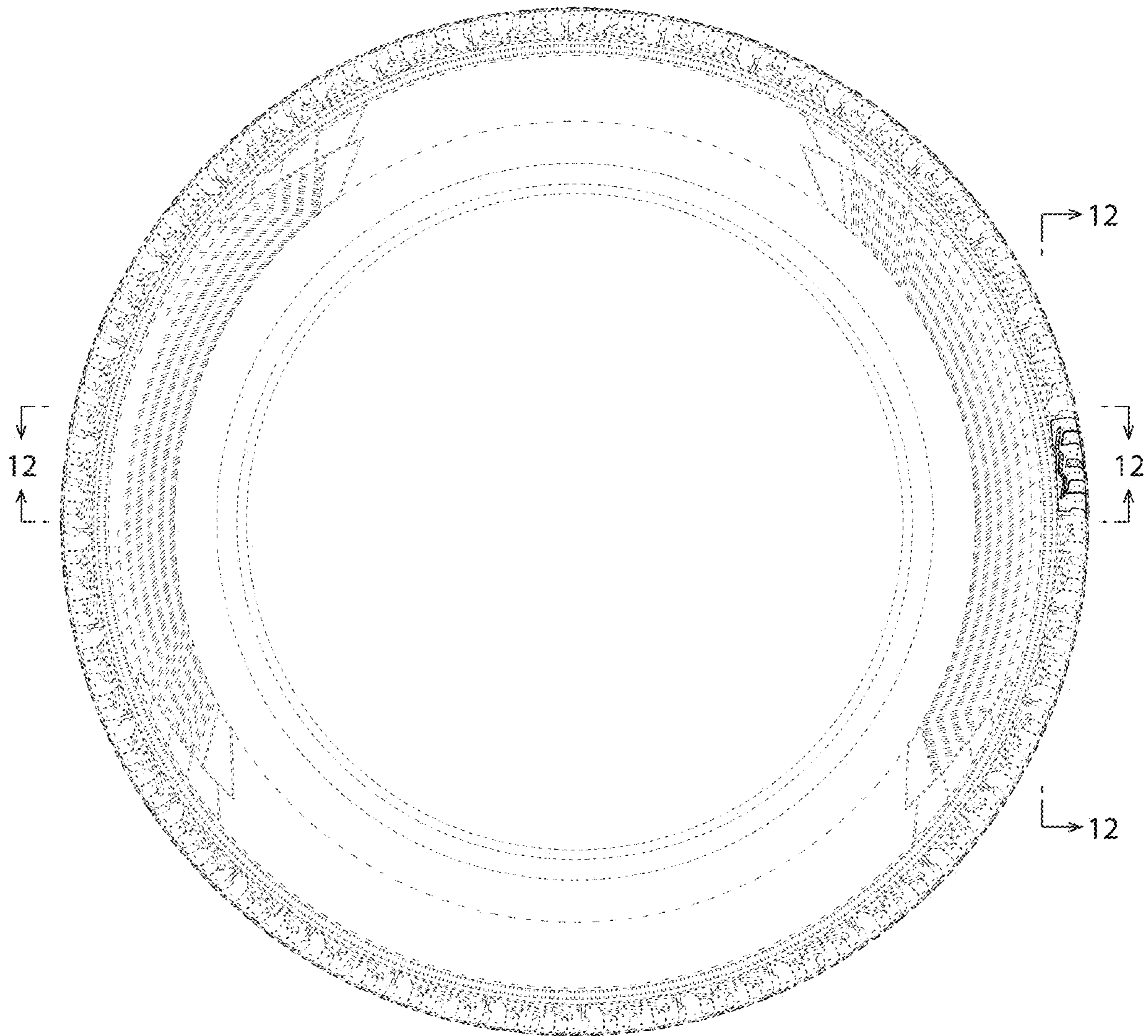


FIG.8

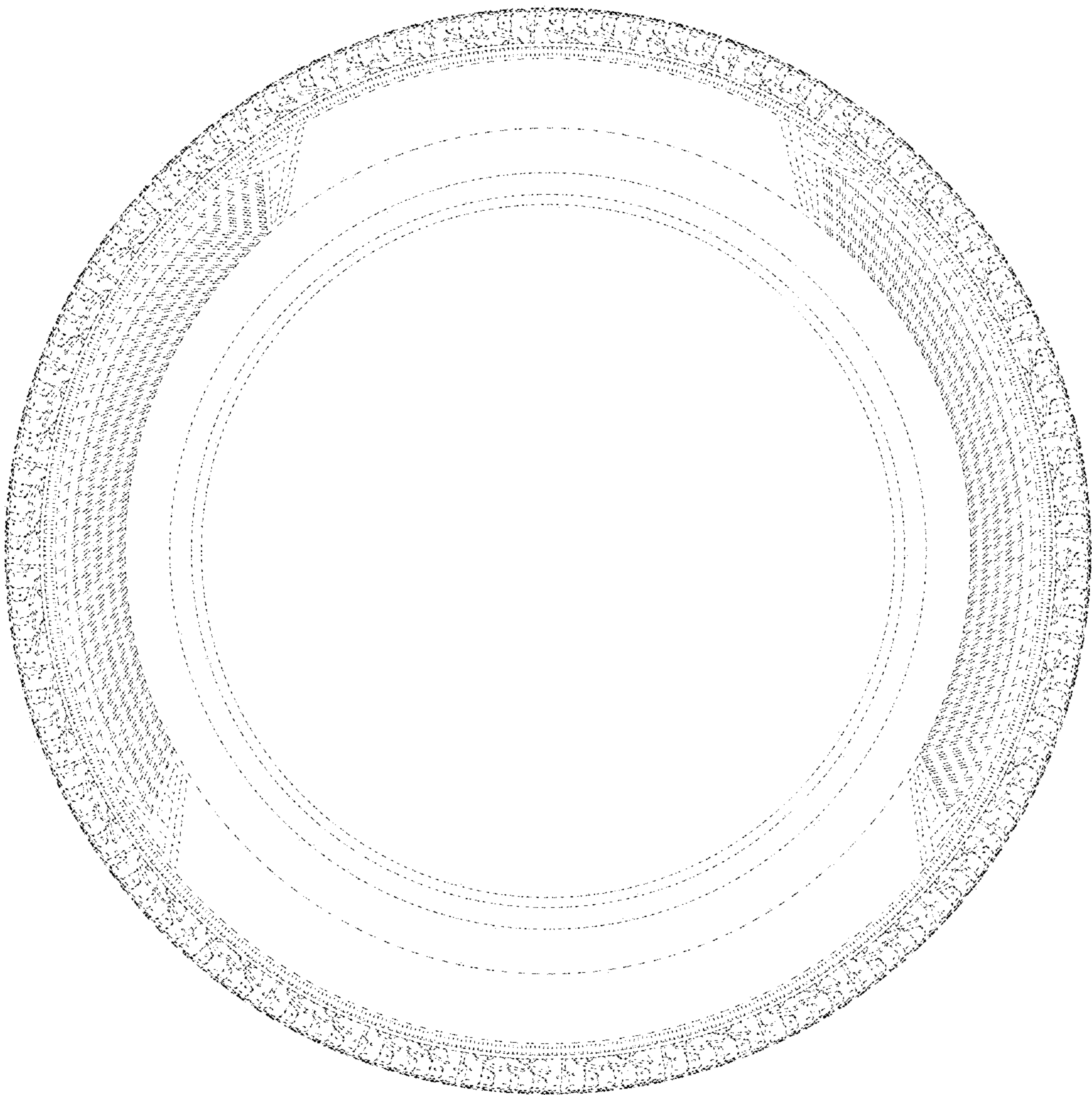


FIG.9

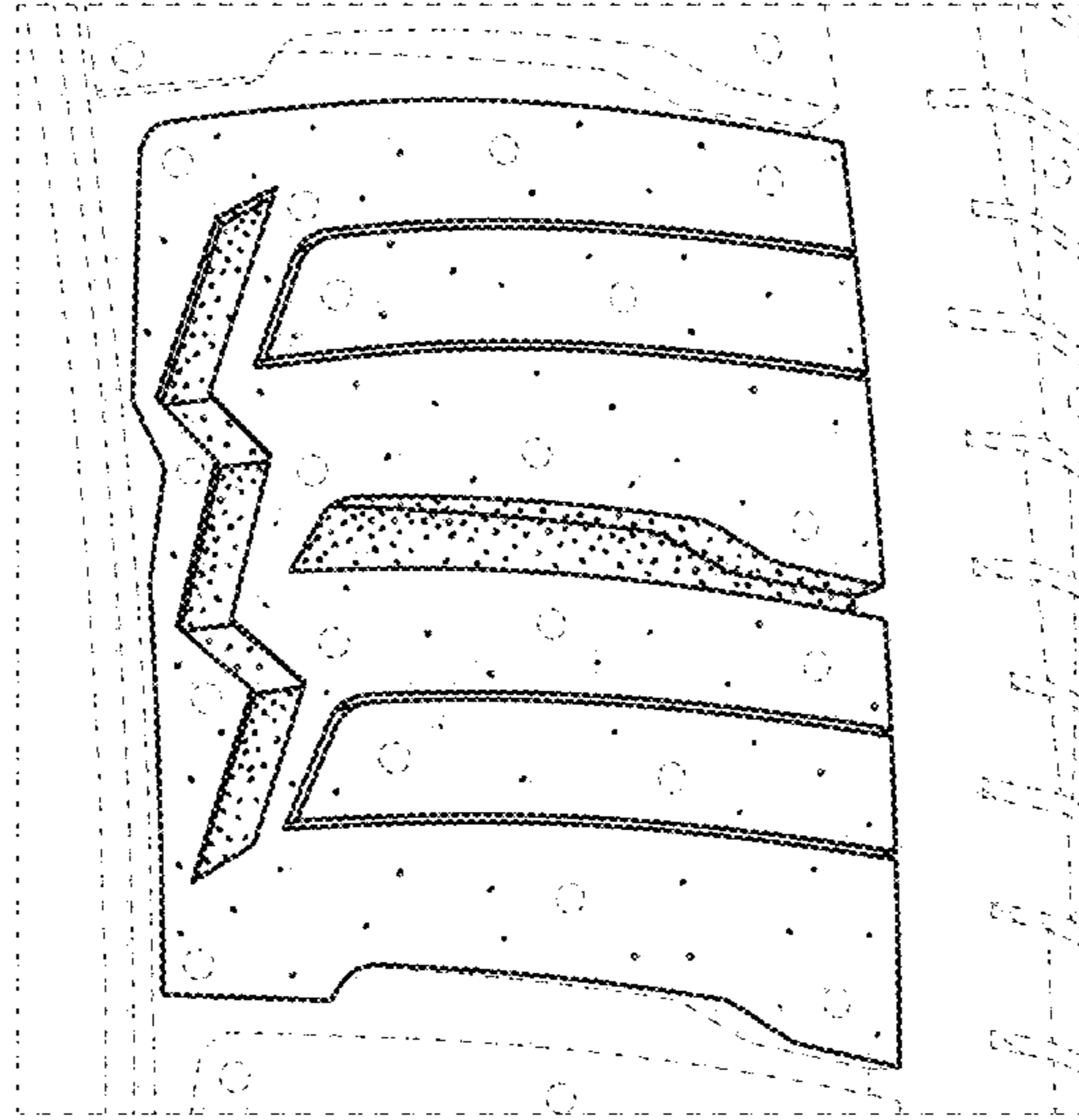


FIG.10

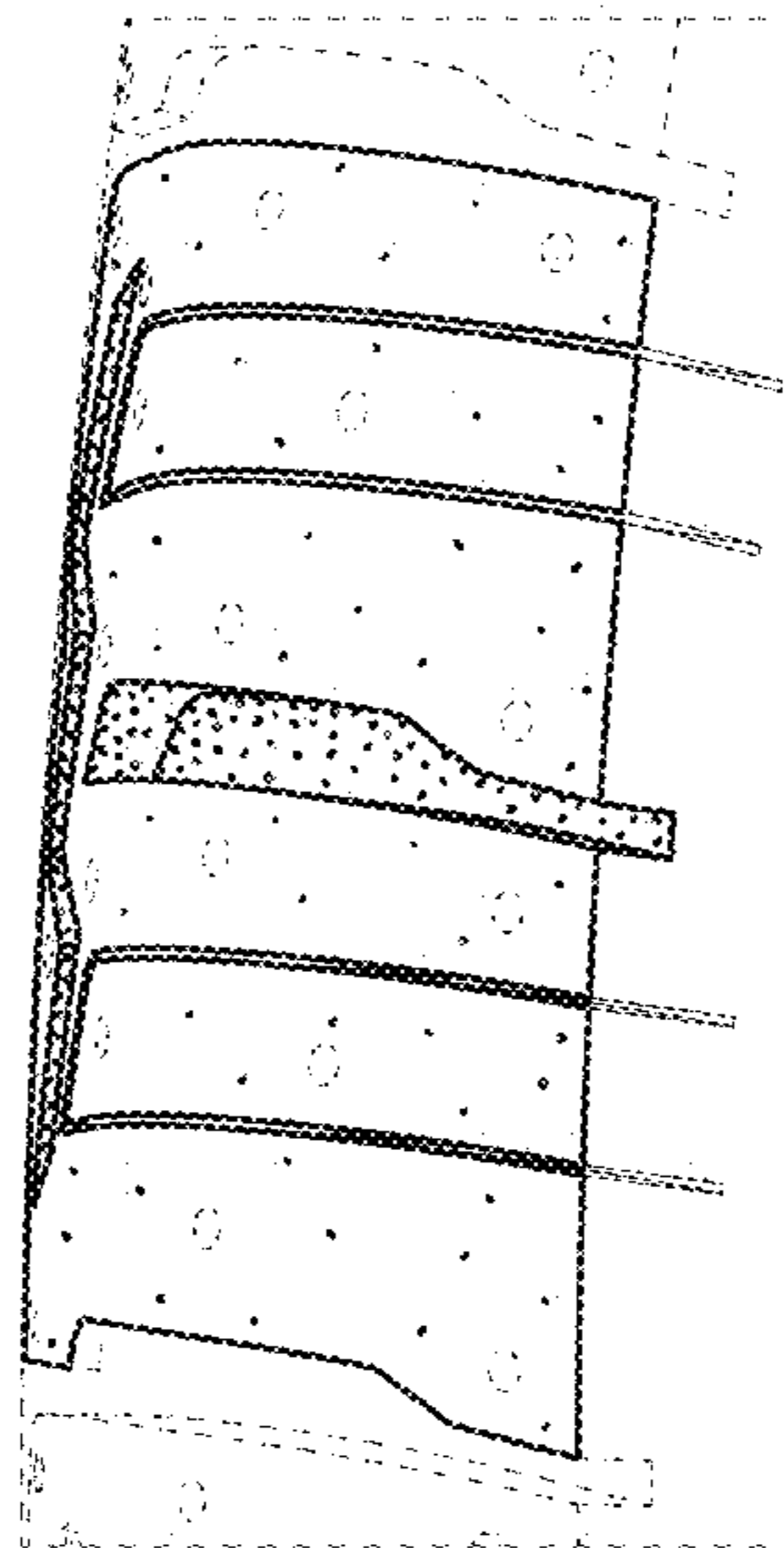


FIG.11

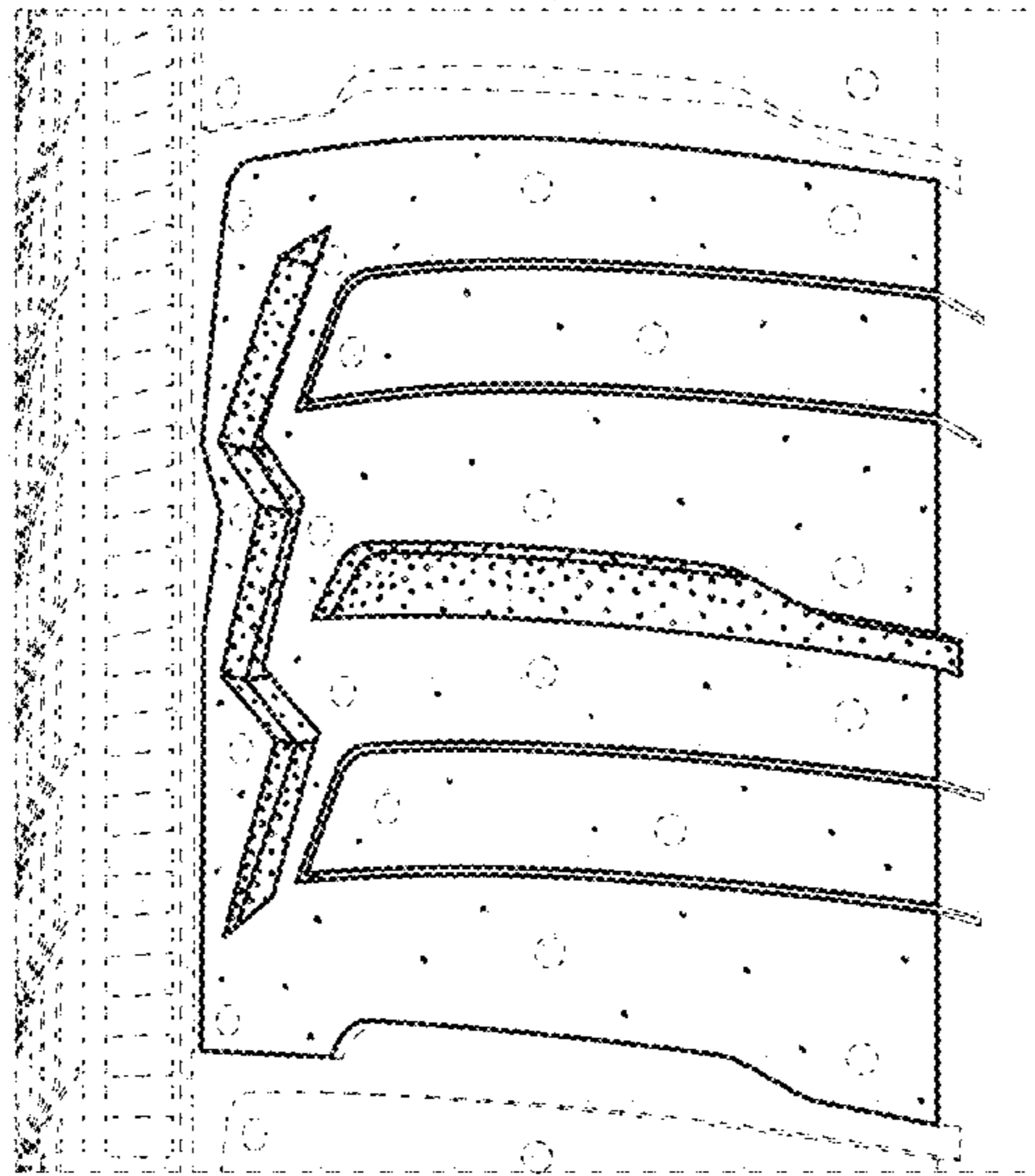


FIG.12

