



US00D889390S

(12) **United States Design Patent**
Endo et al.

(10) **Patent No.:** **US D889,390 S**
(45) **Date of Patent:** **** Jul. 7, 2020**

(54) **AUTOMOBILE TIRE**

(71) Applicant: **THE YOKOHAMA RUBBER CO., LTD.**, Minato-ku, Tokyo (JP)

(72) Inventors: **Toyoaki Endo**, Hiratsuka (JP); **Kenichi Sato**, Tokyo (JP); **Daigen Tsunekawa**, Hiratsuka (JP)

(73) Assignee: **The Yokohama Rubber Co., Ltd.**, Tokyo (JP)

(**) Term: **15 Years**

(21) Appl. No.: **29/670,325**

(22) Filed: **Nov. 15, 2018**

(30) **Foreign Application Priority Data**

May 17, 2018 (JP) 2018-010884

(51) **LOC (12) Cl.** **12-15**

(52) **U.S. Cl.**
USPC **D12/604; D12/532**

(58) **Field of Classification Search**
USPC D12/521, 523, 604, 605, 532
CPC B60C 11/11; B60C 2011/0386; B60C 2011/0388; B60C 2011/039
See application file for complete search history.

(56) **References Cited**

U.S. PATENT DOCUMENTS

D427,551 S	7/2000	Weber	
D528,972 S	9/2006	Saito et al.	
D568,234 S *	5/2008	Shinohara	D12/521
D586,733 S	2/2009	Shinohara	
D649,509 S *	11/2011	Allison	D12/521
D713,325 S *	9/2014	Maxwell	D12/521
D733,036 S *	6/2015	Kuwano	D12/521
D737,752 S *	9/2015	Shondel	D12/521
D757,636 S *	5/2016	Zhang	D12/521
D782,959 S *	4/2017	Sareen	D12/521

D794,542 S *	8/2017	Tahon	D12/528
D798,227 S *	9/2017	Scheifele	D12/604
D815,584 S *	4/2018	Hayashi	D12/521
D816,588 S *	5/2018	Kwak	D12/521
D817,258 S *	5/2018	Kikuchi	D12/521
D819,548 S *	6/2018	Arai	D12/521
D826,137 S *	8/2018	Mishima	D12/521

(Continued)

FOREIGN PATENT DOCUMENTS

JP	D1373918 S	11/2009
JP	D1476085 S	8/2013

Primary Examiner — Robert M. Spear

(74) *Attorney, Agent, or Firm* — RatnerPrestia

(57) **CLAIM**

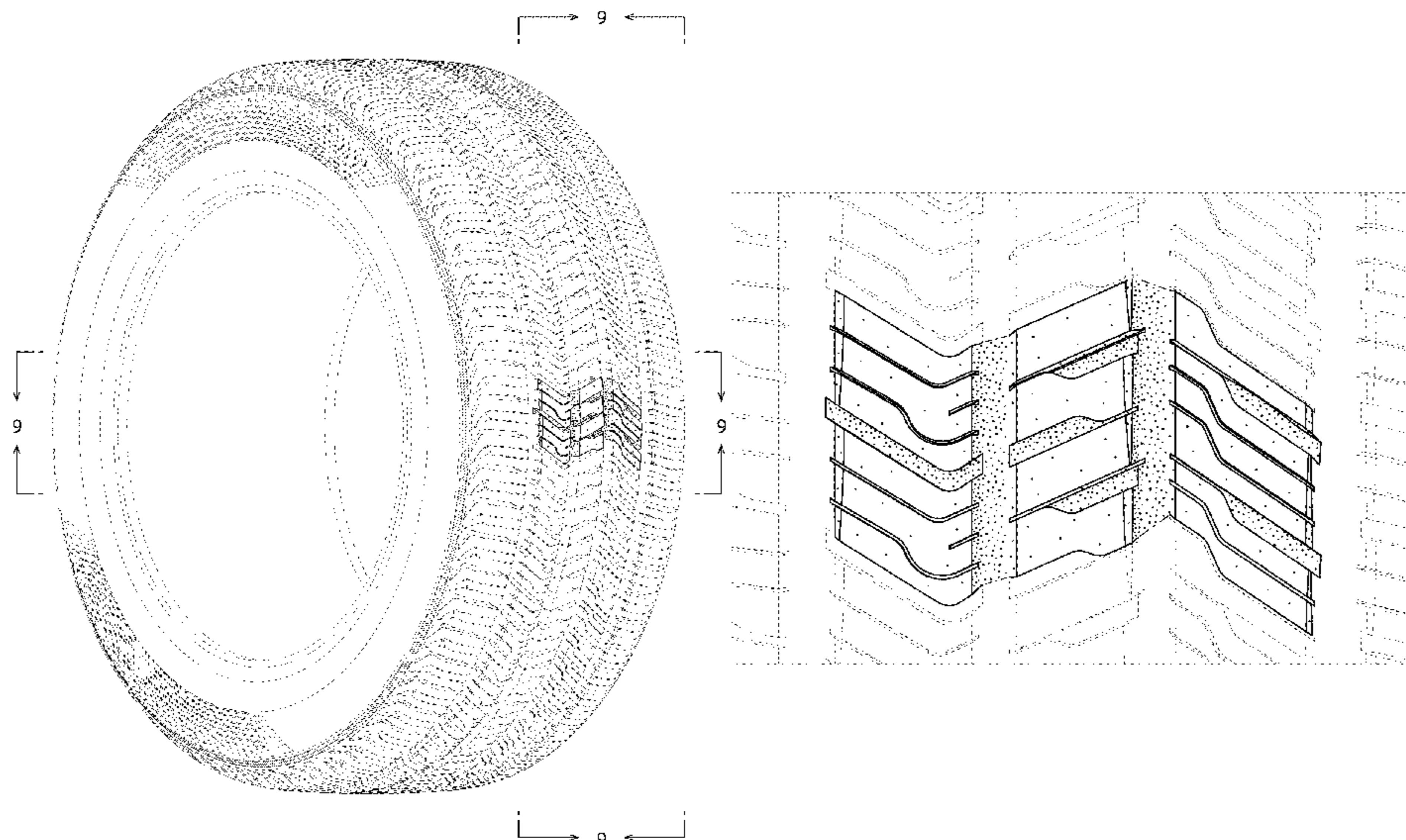
The ornamental design for an automobile tire, as shown and described.

DESCRIPTION

FIG. 1 is a left front perspective view of an automobile tire showing our new design;
 FIG. 2 is a right front perspective view thereof;
 FIG. 3 is a front view thereof;
 FIG. 4 is a rear view thereof;
 FIG. 5 is a top plan view thereof;
 FIG. 6 is a bottom plan views thereof;
 FIG. 7 is a left side view thereof;
 FIG. 8 is a right side view thereof;
 FIG. 9 is an enlarged fragmental left front perspective view taken along lines 9-9 in FIG. 1;
 FIG. 10 is an enlarged fragmental right front perspective view taken along lines 10-10 in FIG. 2; and,
 FIG. 11 is an enlarged fragmental front view taken along lines 11-11 in FIG. 3.

The dashed broken lines in the drawings are for the purpose of illustrating unclaimed portions of the tire and form no part of the claimed design, and the dash-dot-dash broken lines illustrate the boundary of the claimed design.

1 Claim, 9 Drawing Sheets



(56)

References Cited

U.S. PATENT DOCUMENTS

D830,955 S *	10/2018	Yamaoka	D12/521
D843,310 S *	3/2019	Yamaoka	D12/521
D847,726 S *	5/2019	Maggelet	D12/521
D854,489 S *	7/2019	Park	D12/521
D856,267 S *	8/2019	Park	D12/521

* cited by examiner

FIG. 1

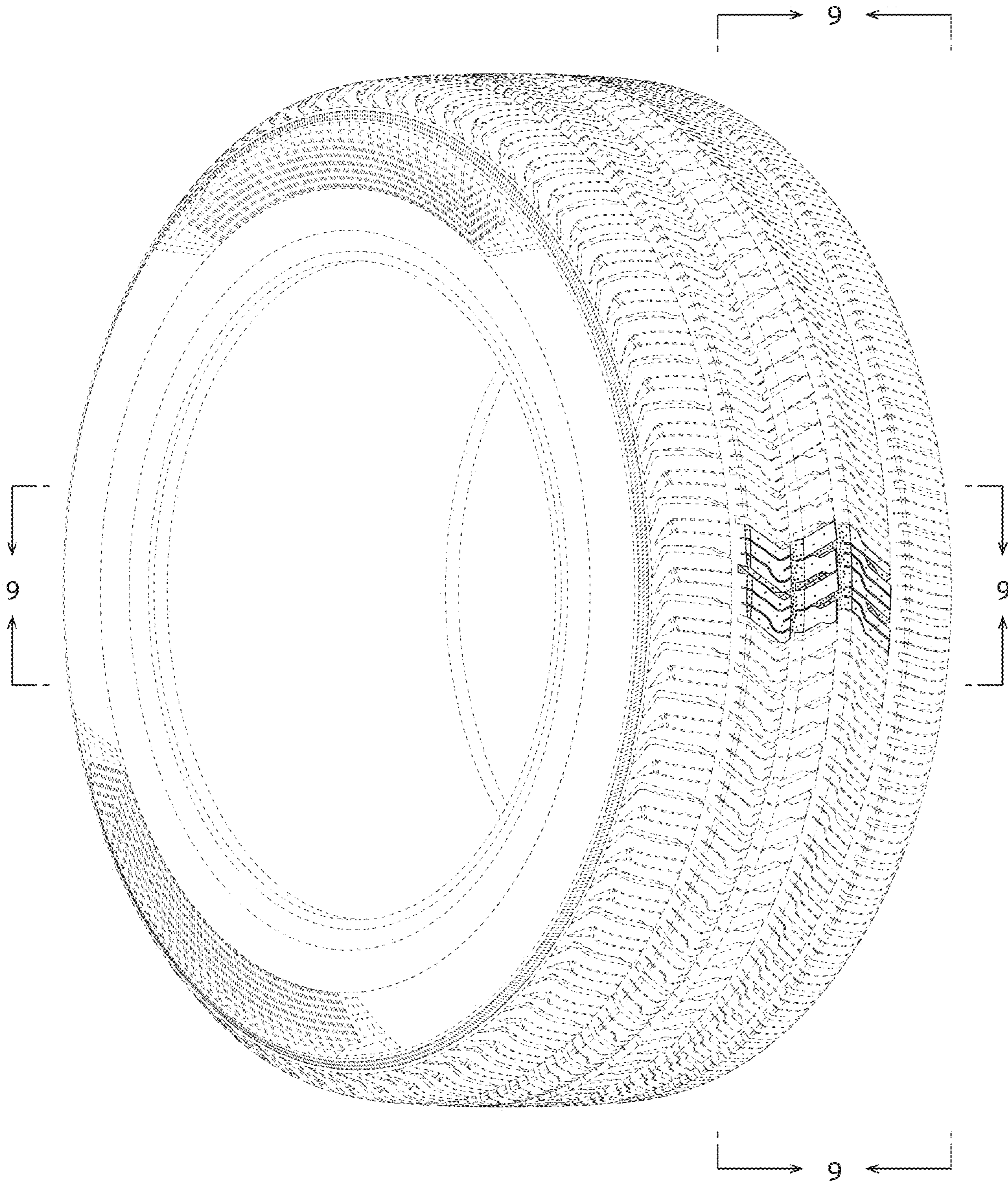


FIG.2

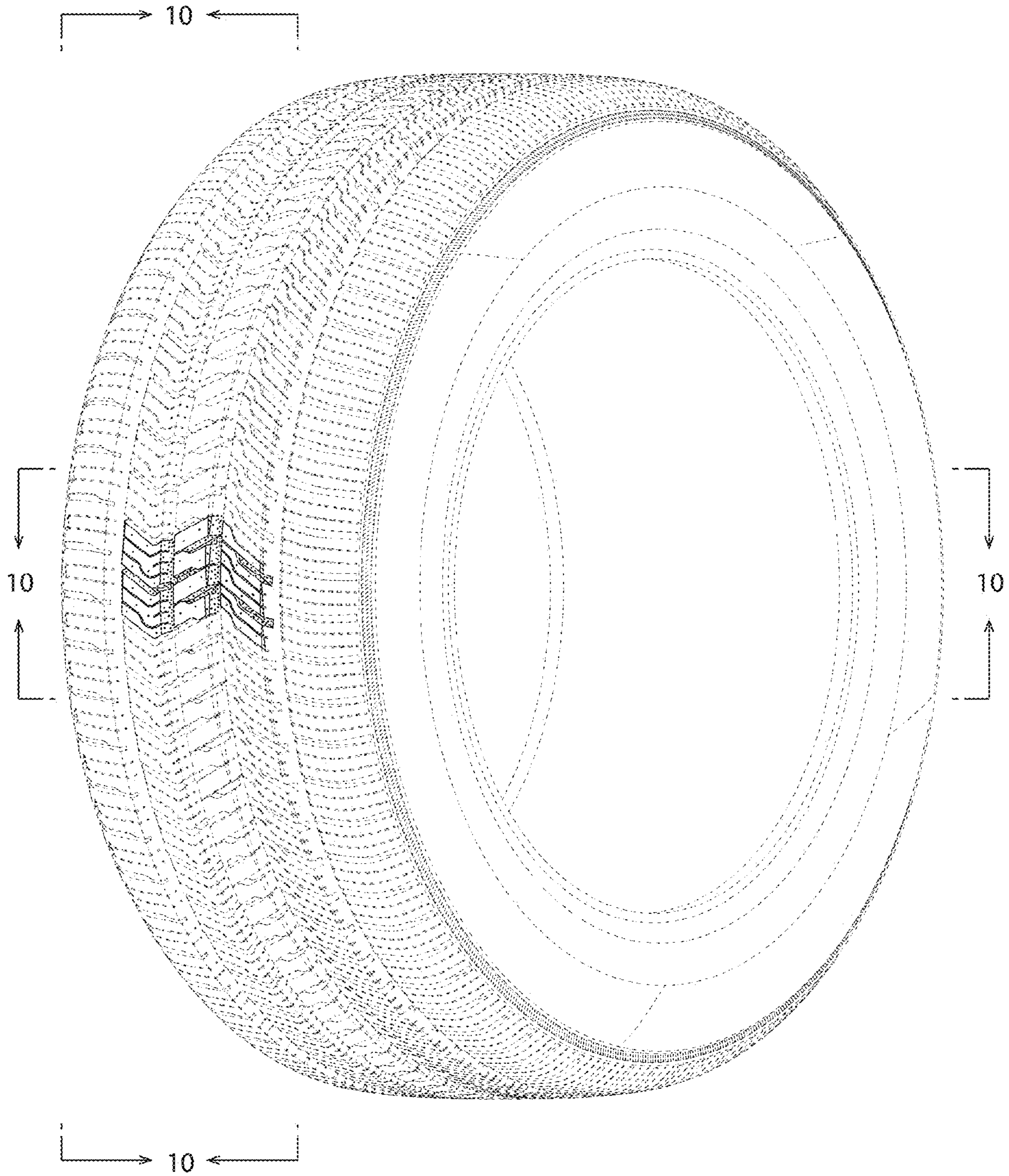


FIG.3

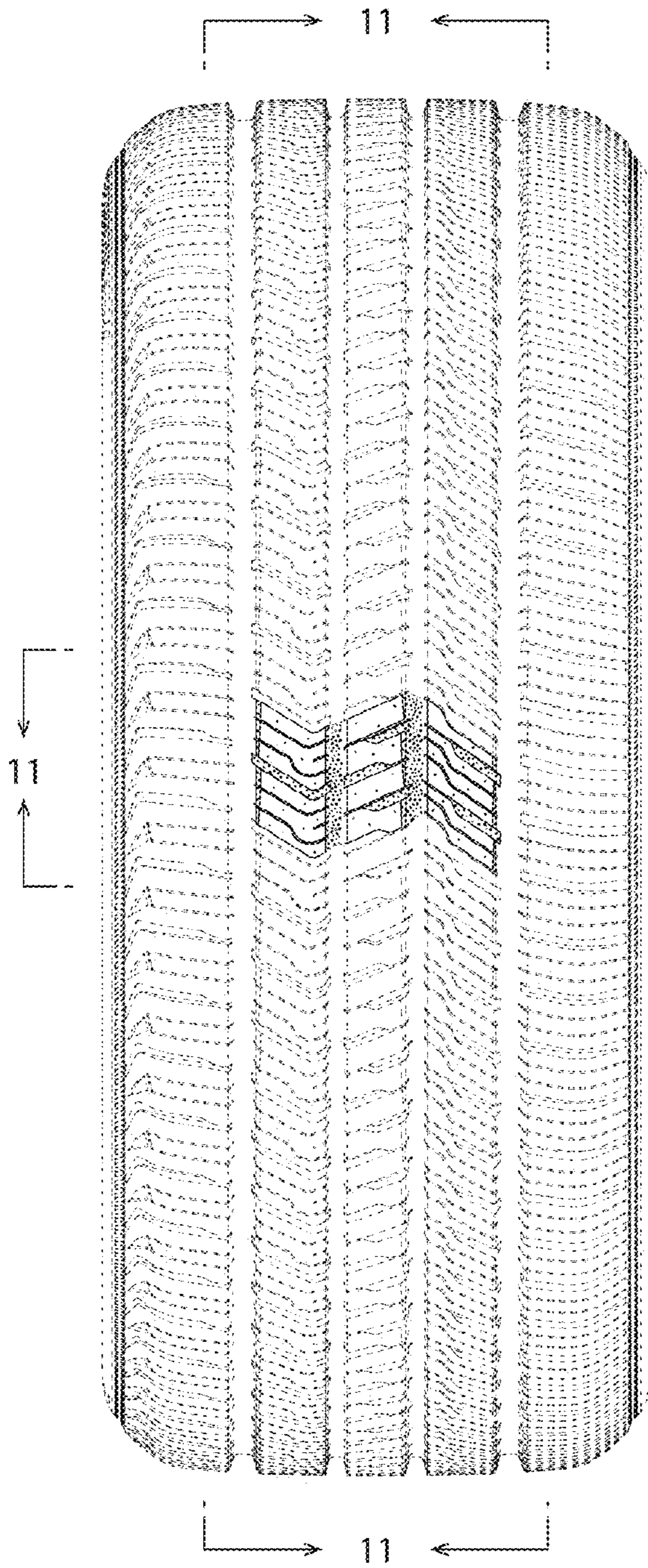


FIG.4

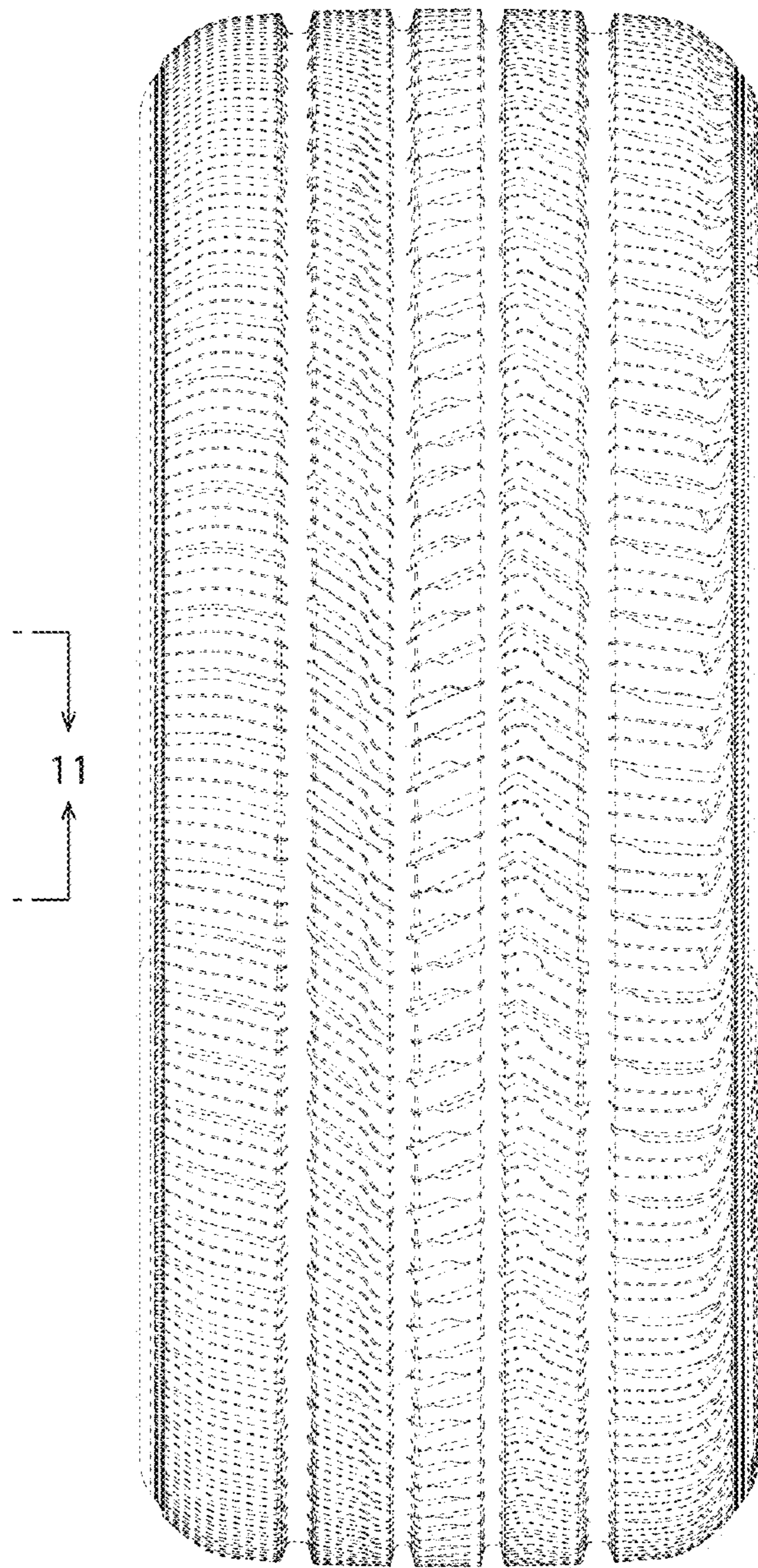


FIG.5

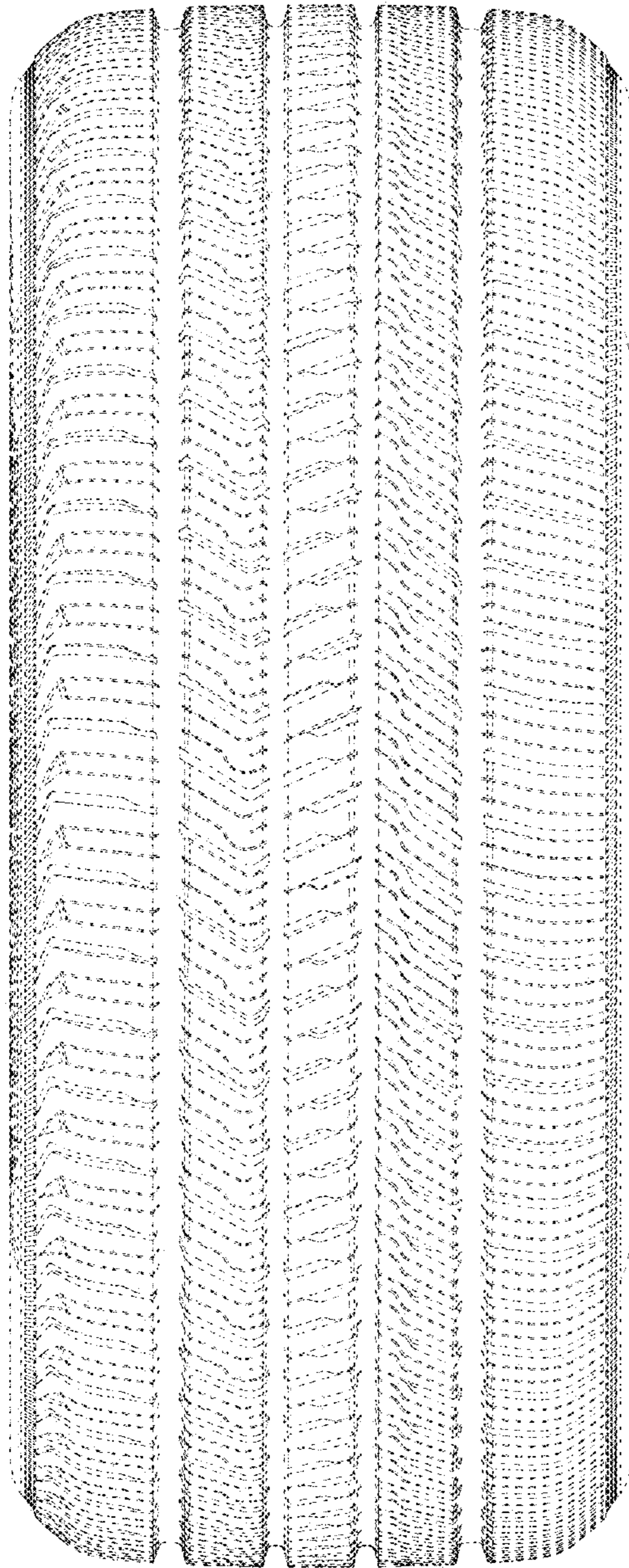


FIG.6

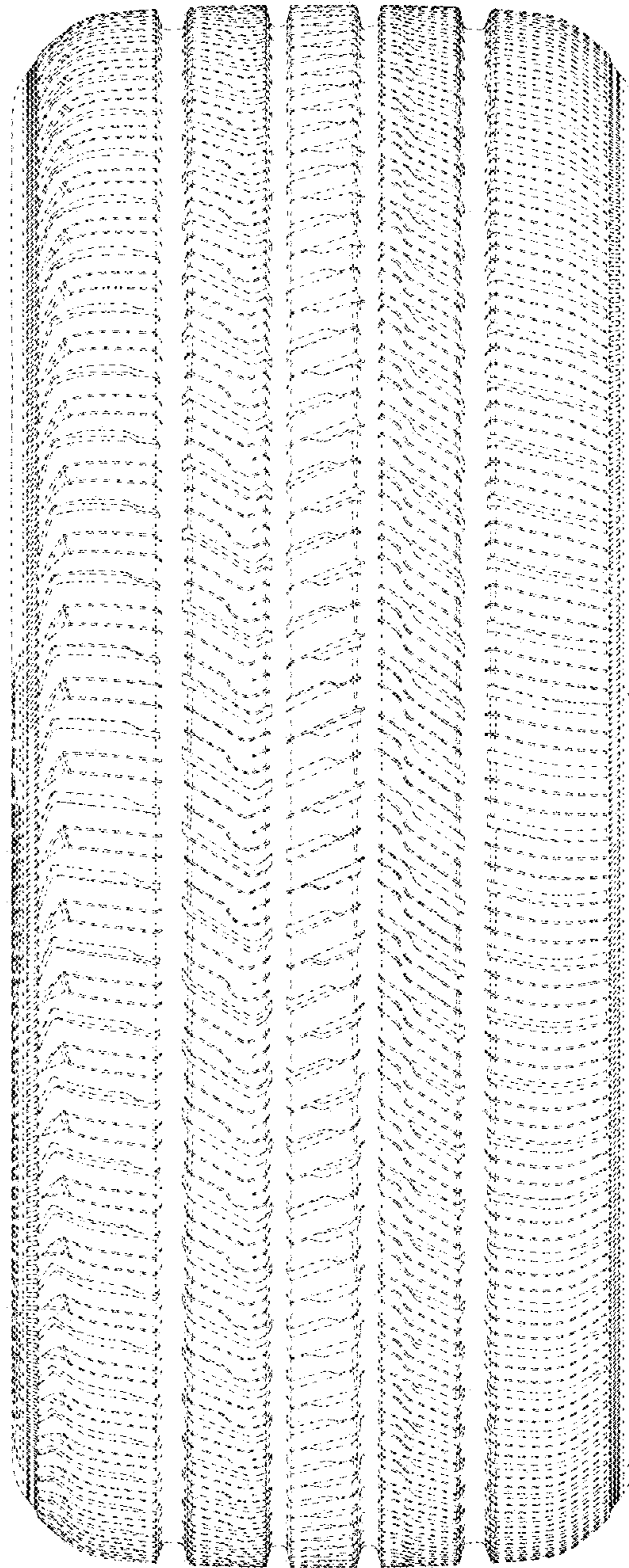


FIG.7

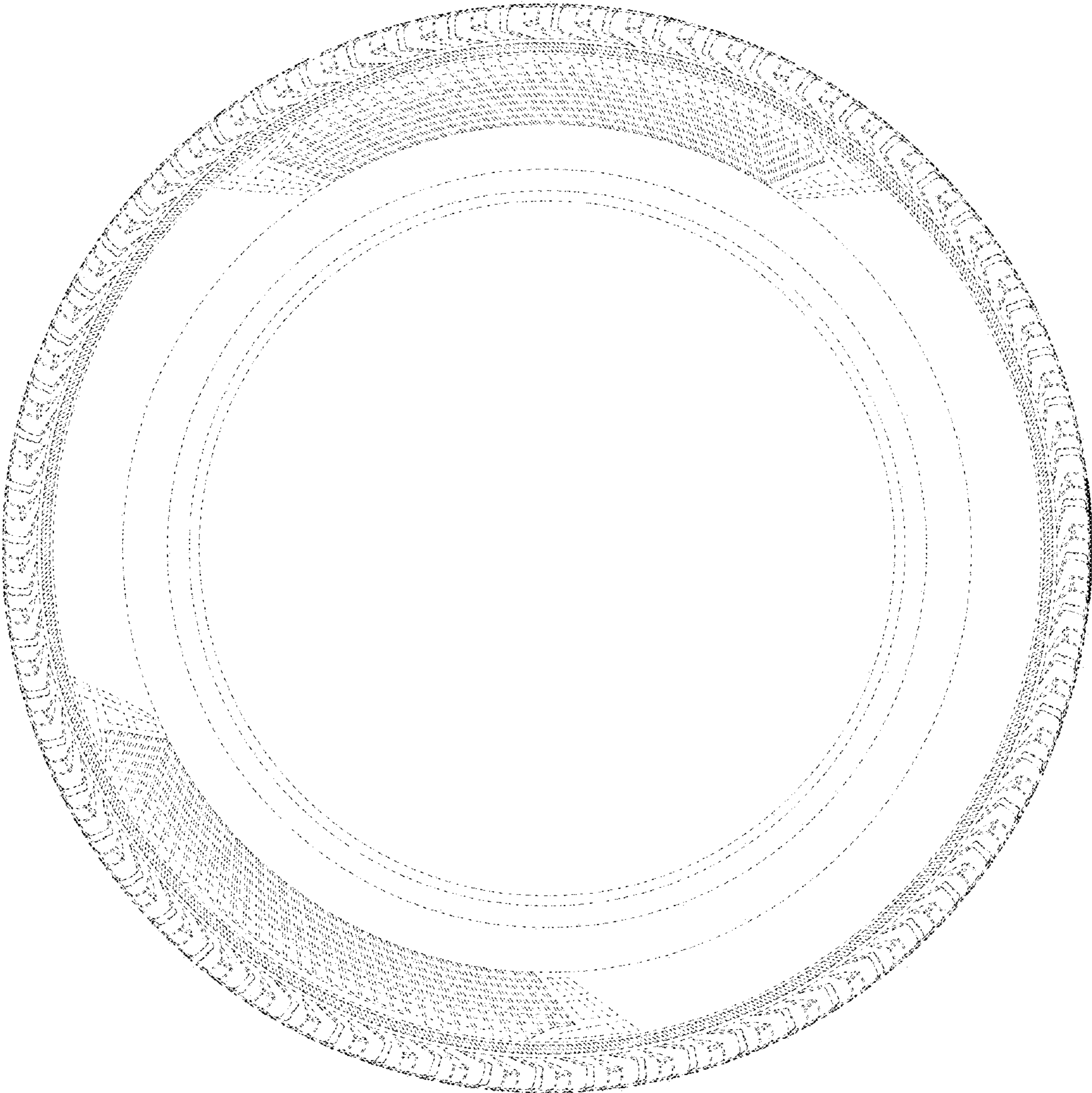


FIG.8

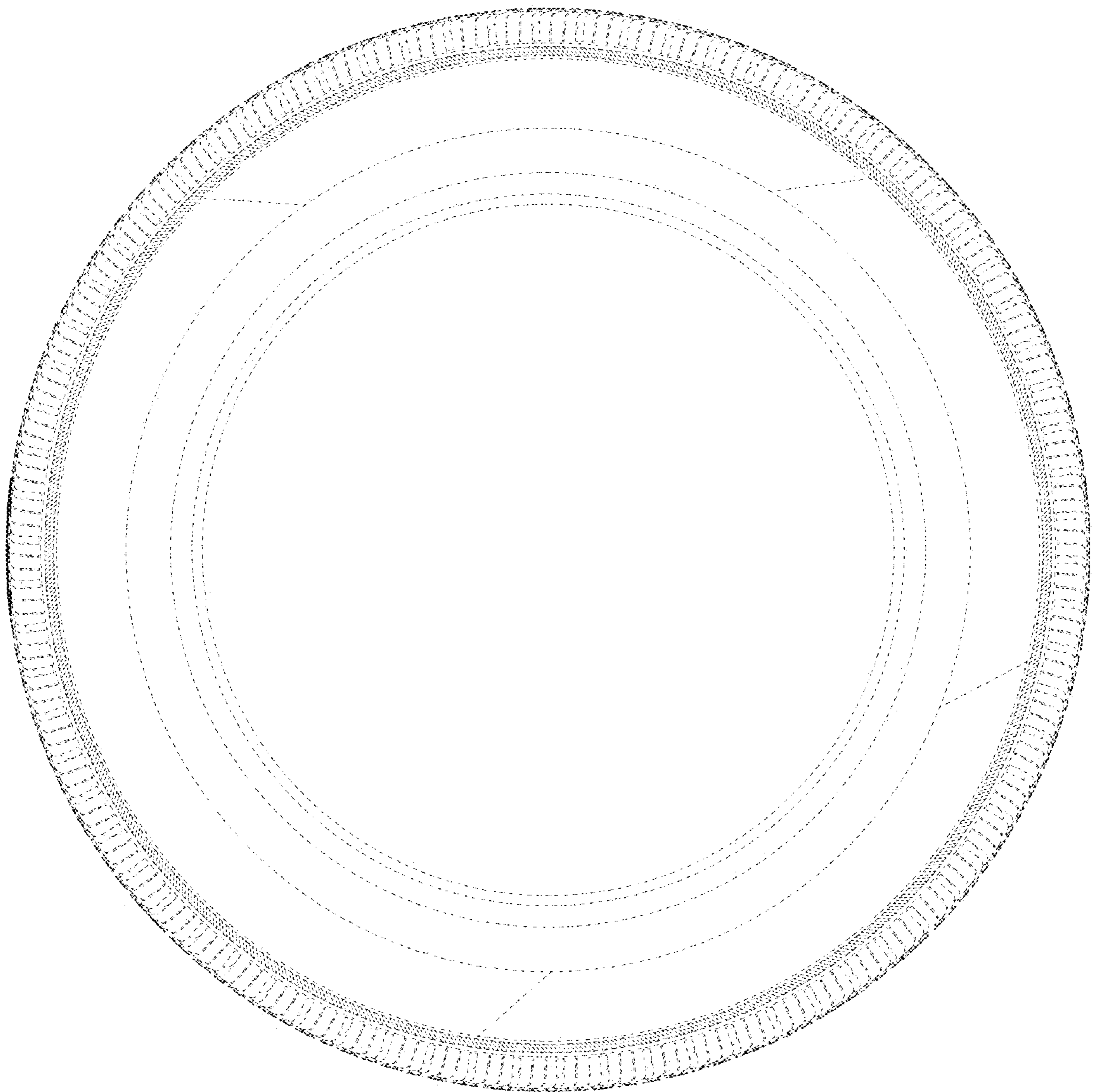


FIG.9

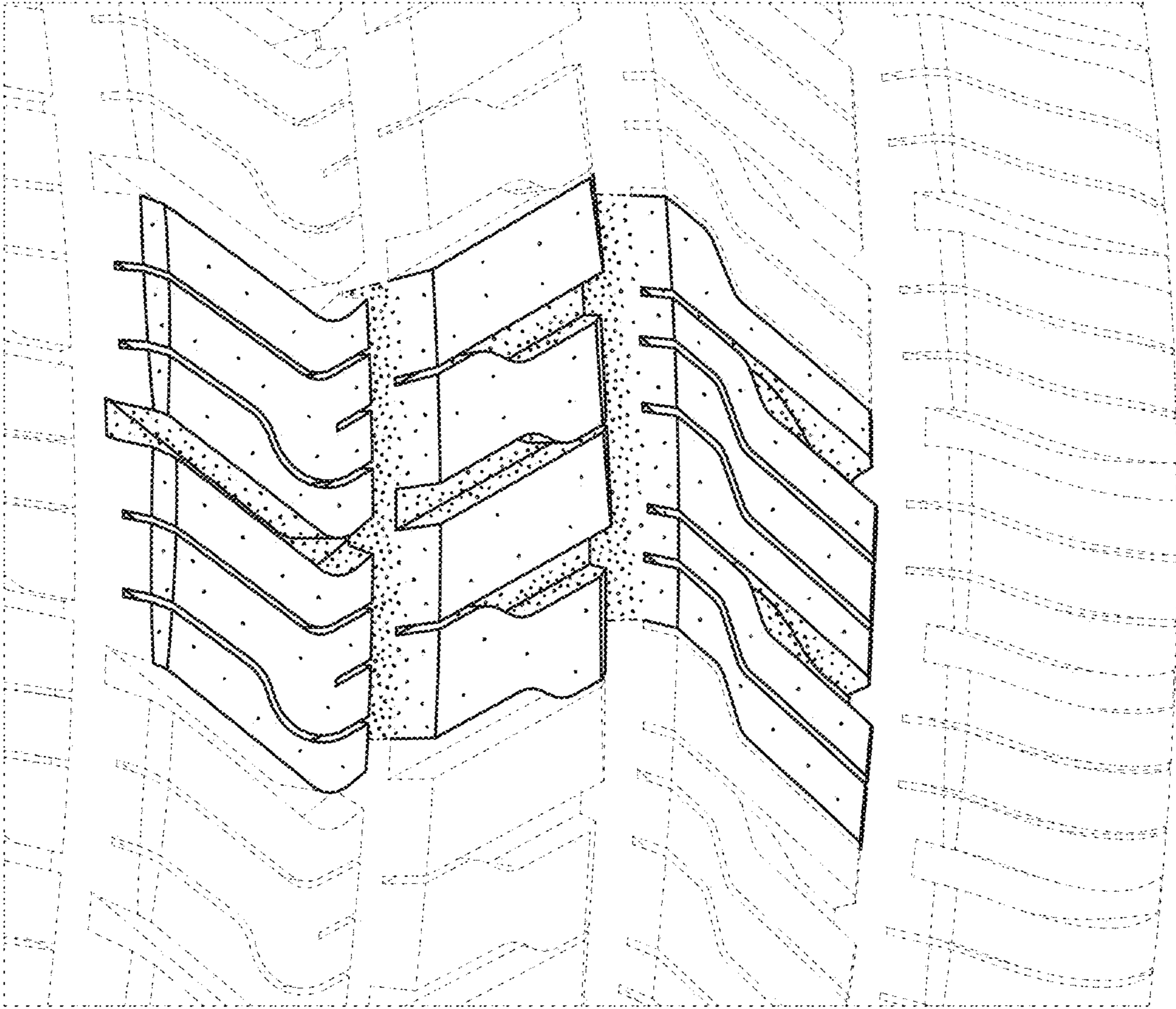


FIG.10

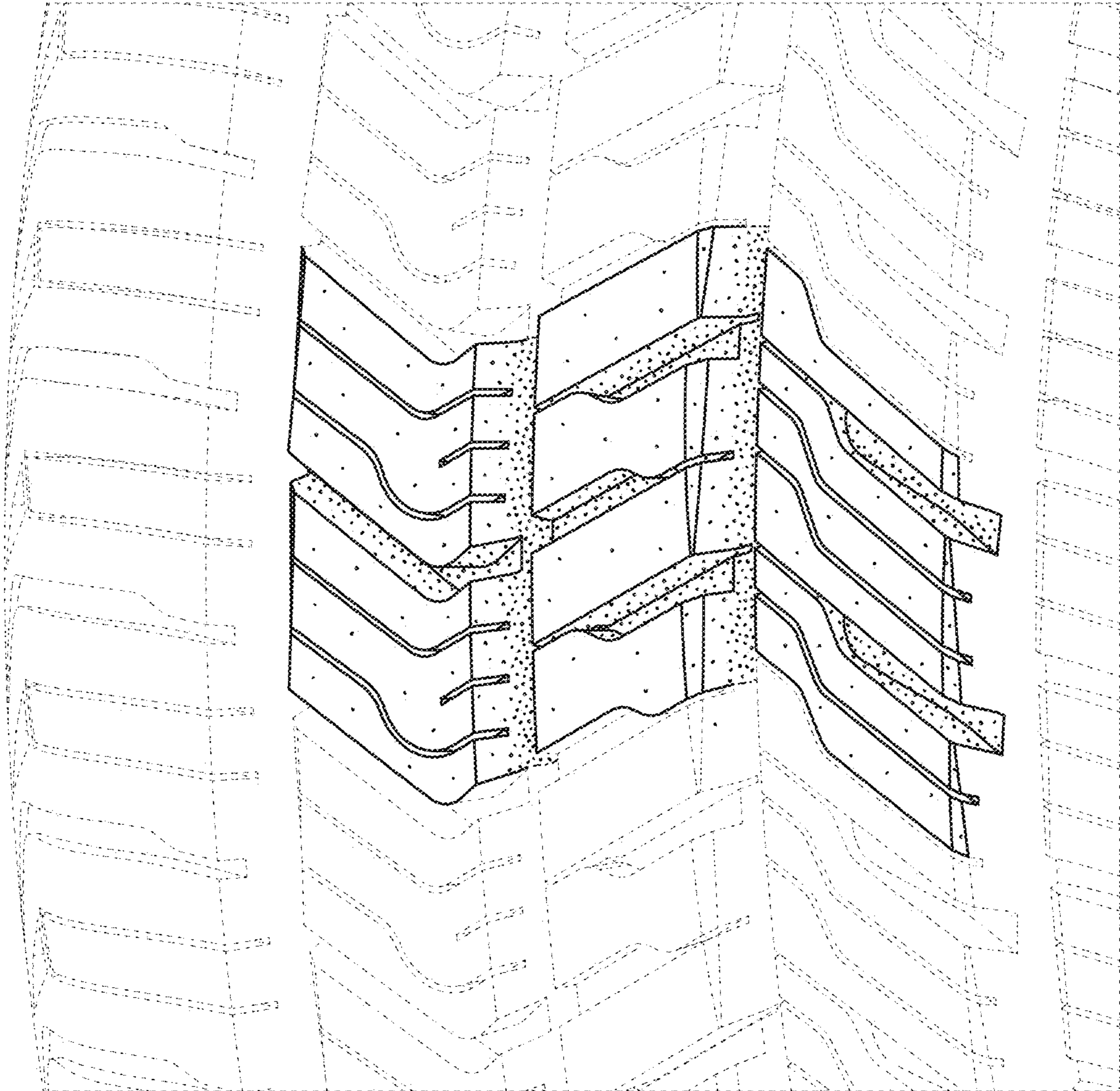
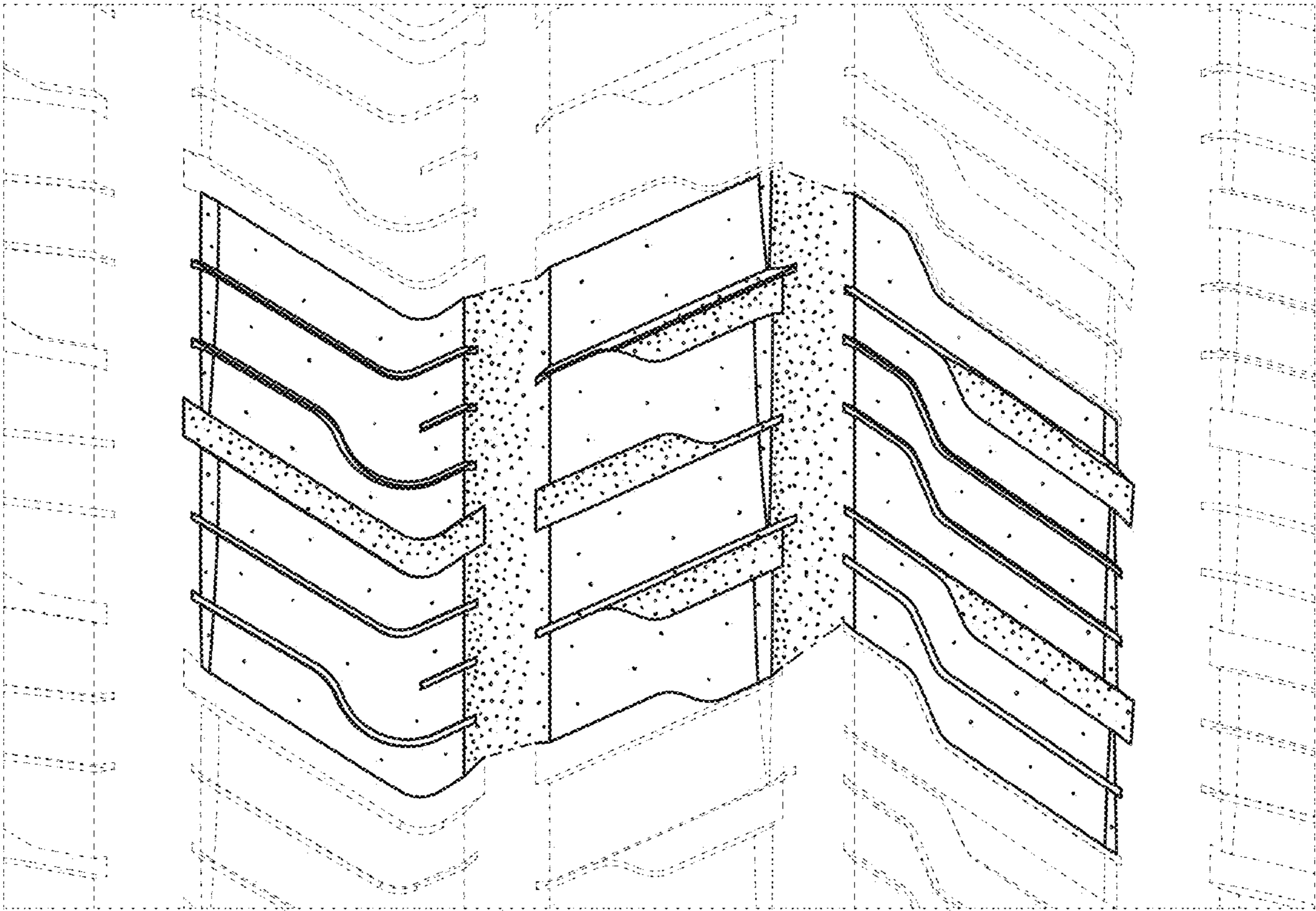


FIG.11



UNITED STATES PATENT AND TRADEMARK OFFICE
CERTIFICATE OF CORRECTION

PATENT NO. : D889,390 S
APPLICATION NO. : 29/670325
DATED : July 7, 2020
INVENTOR(S) : Toyoaki Endo et al.

Page 1 of 1

It is certified that error appears in the above-identified patent and that said Letters Patent is hereby corrected as shown below:

On the Title Page

Under DESCRIPTION, "FIG. 6 is a bottom plan views thereof;" should read --FIG. 6 is a bottom plan view thereof;--

Signed and Sealed this
Second Day of March, 2021



Drew Hirshfeld
*Performing the Functions and Duties of the
Under Secretary of Commerce for Intellectual Property and
Director of the United States Patent and Trademark Office*