



US00D889384S

(12) **United States Design Patent**
Cantrell et al.

(10) **Patent No.:** **US D889,384 S**
(45) **Date of Patent:** **** Jul. 7, 2020**

(54) **DUAL, SIDE-BY-SIDE VEHICLE MOUNTABLE TABLE APPARATUS**

(71) Applicants: **Todd B. Cantrell**, Avondale, AZ (US); **Mark Zens**, Longmont, CO (US); **Max A. Buchmann**, Lakeside, CA (US)

(72) Inventors: **Todd B. Cantrell**, Avondale, AZ (US); **Mark Zens**, Longmont, CO (US); **Max A. Buchmann**, Lakeside, CA (US)

(**) Term: **15 Years**

(21) Appl. No.: **29/645,988**

(22) Filed: **Apr. 30, 2018**

(51) **LOC (12) Cl.** **12-16**

(52) **U.S. Cl.**
USPC **D12/426.1**

(58) **Field of Classification Search**
USPC D12/426.1, 425, 400, 406, 415-420, 424, D12/426; 108/25, 42-43, 150; 220/575, 220/679, 632, 670, 339, 574; 312/283; 211/11, 126; 297/173; D6/406.1-406.6, D6/426, 429; D7/552.1, 552.2, 554.1, D7/554.4, 550.1, 554.2, 554.3
CPC A47G 23/06; A47G 23/0616; A47G 23/08
See application file for complete search history.

(56) **References Cited**

U.S. PATENT DOCUMENTS

1,540,133	A *	6/1925	Kirkpatrick	A47B 3/10
					190/12 R
2,719,066	A *	9/1955	Budzinski	A47B 5/02
					108/33
D193,389	S *	8/1962	Kardach	D6/333
3,476,432	A *	11/1969	Manio	B60N 3/001
					296/156
4,236,461	A *	12/1980	Barksdale	A47B 5/06
					108/44
4,452,151	A *	6/1984	Jarrard	B60R 5/04
					108/42
4,494,465	A *	1/1985	Fick, Jr.	A47B 3/083
					108/131

(Continued)

OTHER PUBLICATIONS

27 Borderline Genius Ideas for Anyone Who Camps With Their Car, BuzzFeed.com, Natalie Brown, Posted on Apr. 27, 2017, at 1:01 p.m., [online], [site visited Aug. 21, 2019]. <URL: https://www.buzzfeed.com/nataliebrown/27-clever-car-camping-tricks-to-try-on-your-next-trip> (Year: 2017).*

(Continued)

Primary Examiner — T Chase Nelson

Assistant Examiner — Jonathan J. Han

(74) *Attorney, Agent, or Firm* — Charmasson, Buchaca & Leach, LLP

(57) **CLAIM**

The ornamental design for the dual, side-by-side vehicle mountable table apparatus, as shown and described.

DESCRIPTION

FIG. 1 is a top, back, right side perspective view of dual, side-by-side vehicle mountable deployable tables showing an embodiment of my new design in a deployed configuration.

FIG. 2 is a bottom, front, left side perspective view thereof.

FIG. 3 is a front elevational view thereof.

FIG. 4 is a back elevational view thereof.

FIG. 5 is a top plan view thereof.

FIG. 6 is a bottom plan view thereof.

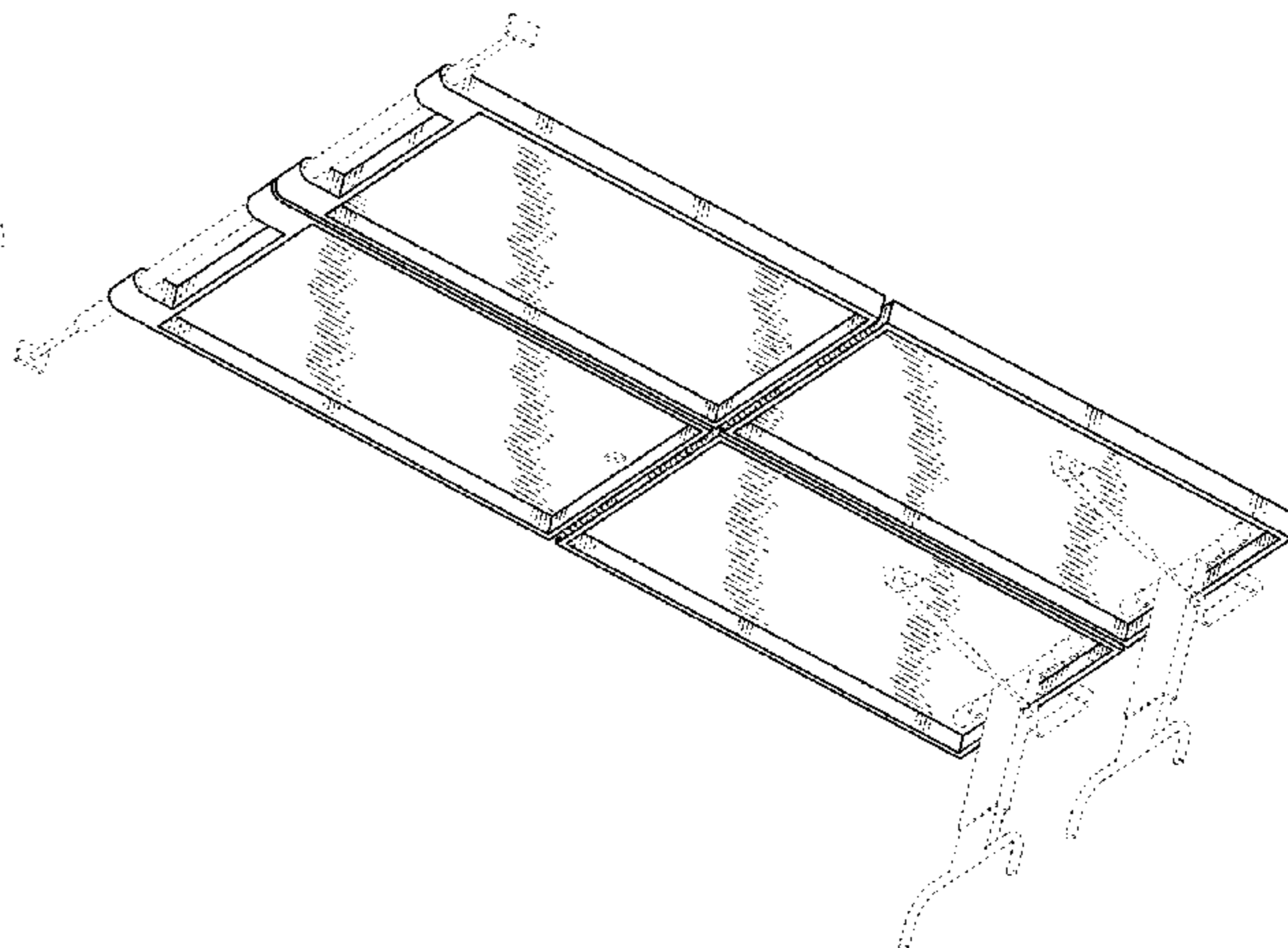
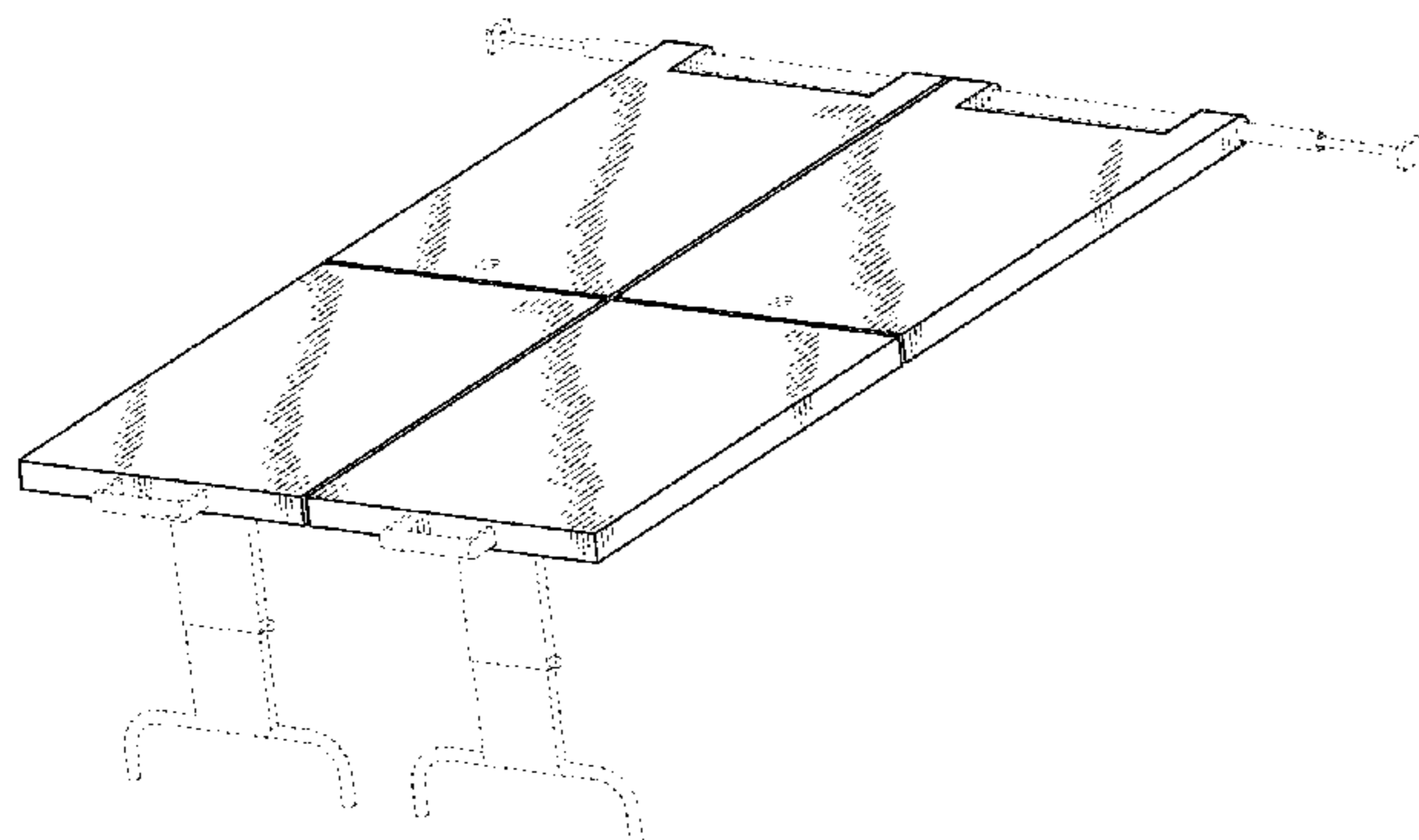
FIG. 7 is a left side elevational view thereof; and,

FIG. 8 is a right side elevational view thereof.

Shading lines are used to show solid structures and are not intended to indicate surface decoration.

Dashed lines are intended to show environment and form no part of the claimed design.

1 Claim, 6 Drawing Sheets



(56)

References Cited

U.S. PATENT DOCUMENTS

4,995,322 A * 2/1991 Frederick A47B 5/06
108/38
5,046,913 A * 9/1991 Domek B60P 1/433
24/514
D359,398 S * 6/1995 Jaykus D12/415
D389,452 S * 1/1998 Scott D12/415
5,730,066 A * 3/1998 Auten B60N 3/001
108/44
6,250,702 B1 * 6/2001 Eipper B60N 3/001
108/44
D445,395 S * 7/2001 Okerlund D12/400
6,394,001 B1 * 5/2002 Giesey B60N 3/002
108/44
6,467,417 B1 * 10/2002 Guyot B60P 3/14
100/152
D481,350 S * 10/2003 McCoy D12/400
6,739,269 B1 * 5/2004 Benton A47B 31/06
108/152
D514,057 S * 1/2006 Borunda D12/426.1
7,398,737 B1 * 7/2008 Martellaro B60N 3/001
108/143
D594,675 S * 6/2009 Cahaly D12/223
7,966,950 B2 * 6/2011 Volpe, Jr. B60N 3/002
108/115
D649,810 S * 12/2011 Martin D6/702
D649,811 S * 12/2011 Martin D6/644
D735,492 S * 8/2015 Coffman D6/555
D737,750 S * 9/2015 Garrett D12/426.1

D747,260 S * 1/2016 Cantrell D12/426.1
D766,610 S * 9/2016 Johnson D6/406.1
10,160,364 B2 * 12/2018 Howe A47B 3/08
D846,481 S * 4/2019 Turner D12/400
D856,063 S * 8/2019 Lauther D7/388
2011/0247530 A1 * 10/2011 Coffman A47B 3/0911
108/116

OTHER PUBLICATIONS

The Best Car Camping Gear of 2018, OutsideOnline.com, GCI Master Cook Station (\$120), Bryan Rogala, May 15, 2018, [online], [site visited Aug. 21, 2019]. <URL: <https://www.outsideonline.com/2303756/best-car-camping-gear-2018>> (Year: 2018).*

Aluminum folding tables and chairs for outdoor dining portable portable car, YouTube.com, Tommy Chan, Published on Sep 3, 2015, [online], [site visited Aug. 21, 2019]. <URL: <https://www.youtube.com/watch?v=w7xzdbx-xJM>> (Year: 2015).*

TailGater Tire Table Vehicle Tire-Mounted Steel Camping, Travel, and Outdoor Work Table, Amazon.com, [online], [site visited Aug. 21, 2019]. <URL: https://www.amazon.com/TailGater-Tire-Table-Vehicle-TireMounted/dp/B06Y1GRNWG/ref=asc_df_B06Y1GRNWG/?tag=hyprod-20&linkCode=df0&hvadid> (Year: 2019).*

Libra Adjustable Hitch Mount Tailgate Table for Camping Fishing Picnic Sport Events, Amazon.com, Date First Available: Jul. 27, 2014, [online], [site visited Aug. 21, 2019]. <URL: https://www.amazon.com/Libra-Adjustable-Tailgate-Camping-Fishing/dp/B07MCM98DW/ref=pd_lpo_sbs_468> (Year: 2014).*

* cited by examiner

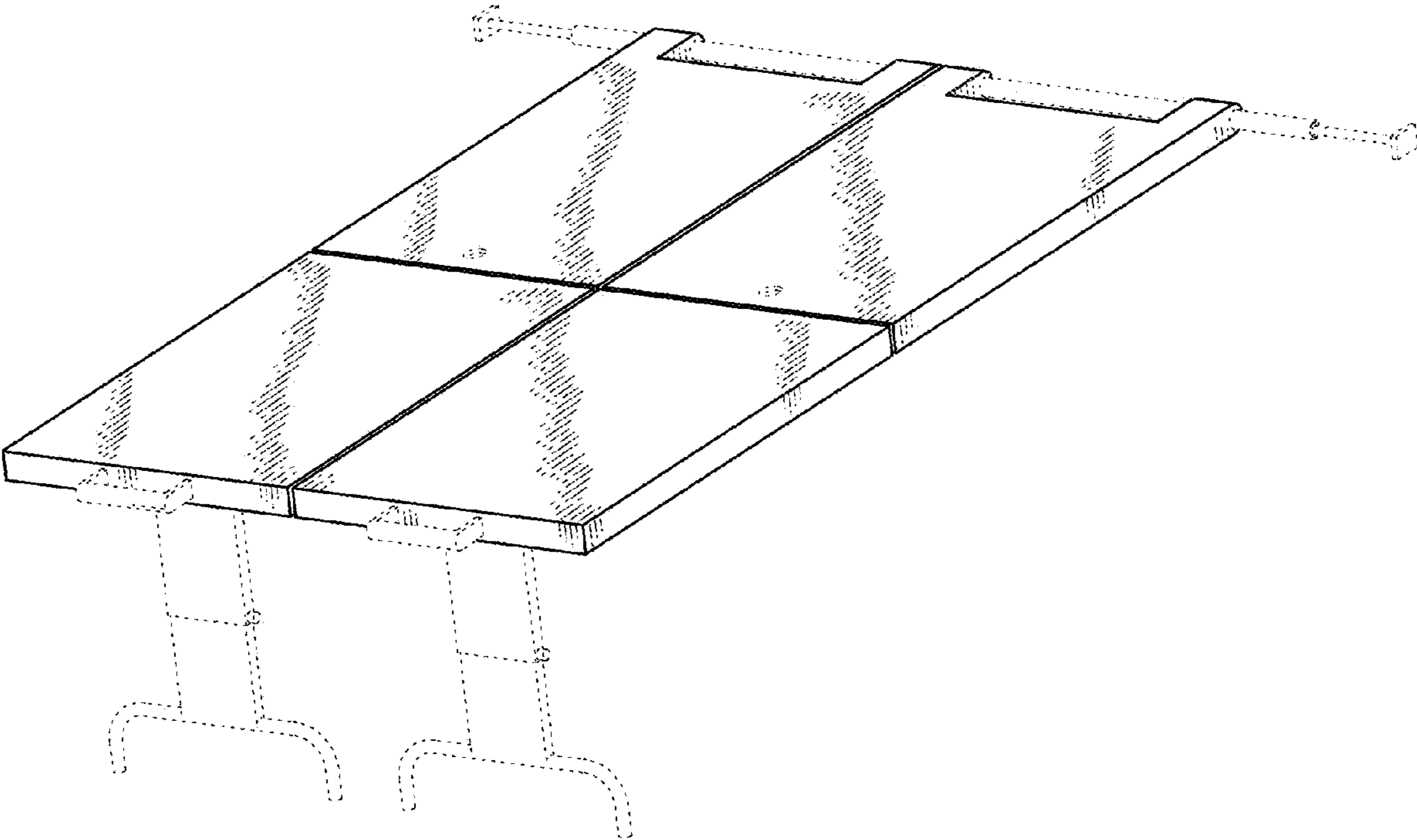


FIG. 1

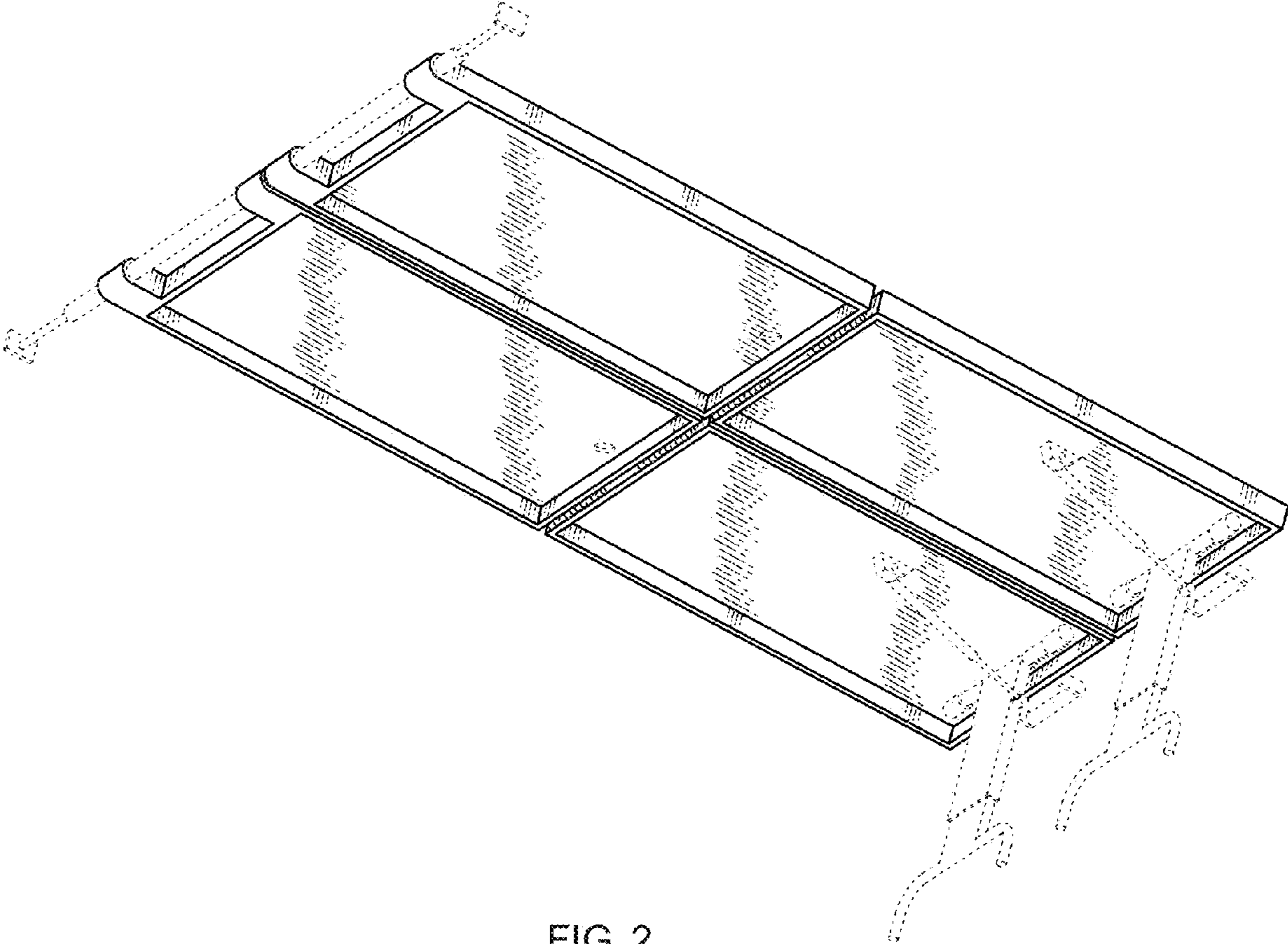


FIG. 2

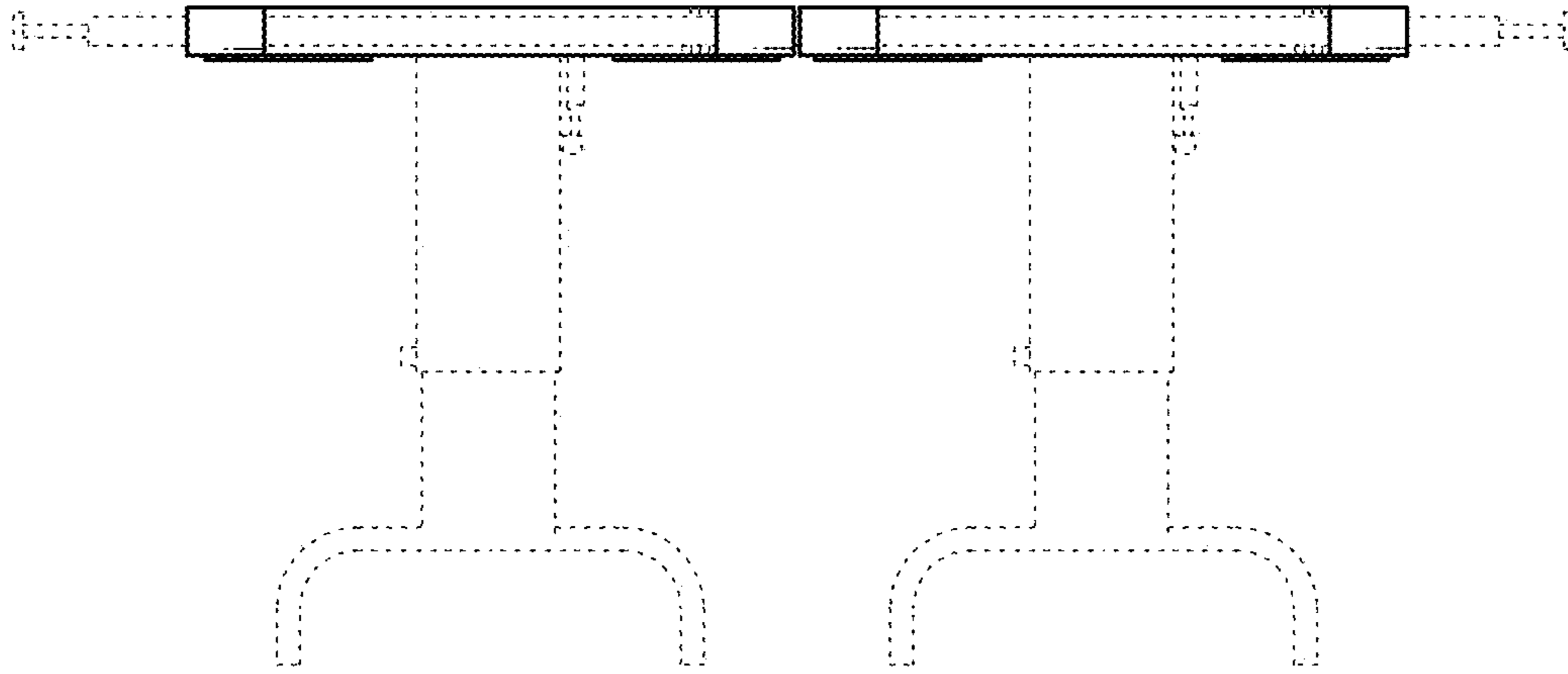


FIG. 3

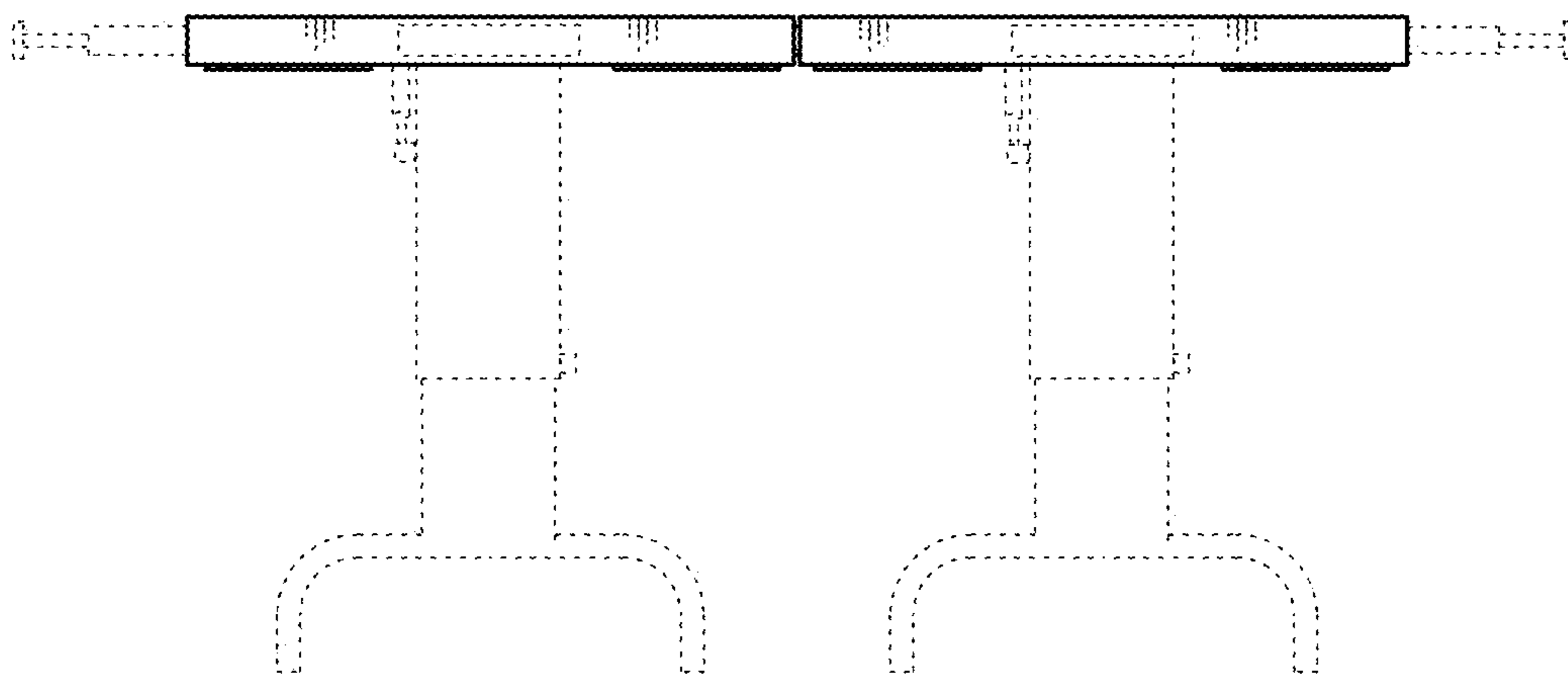


FIG. 4

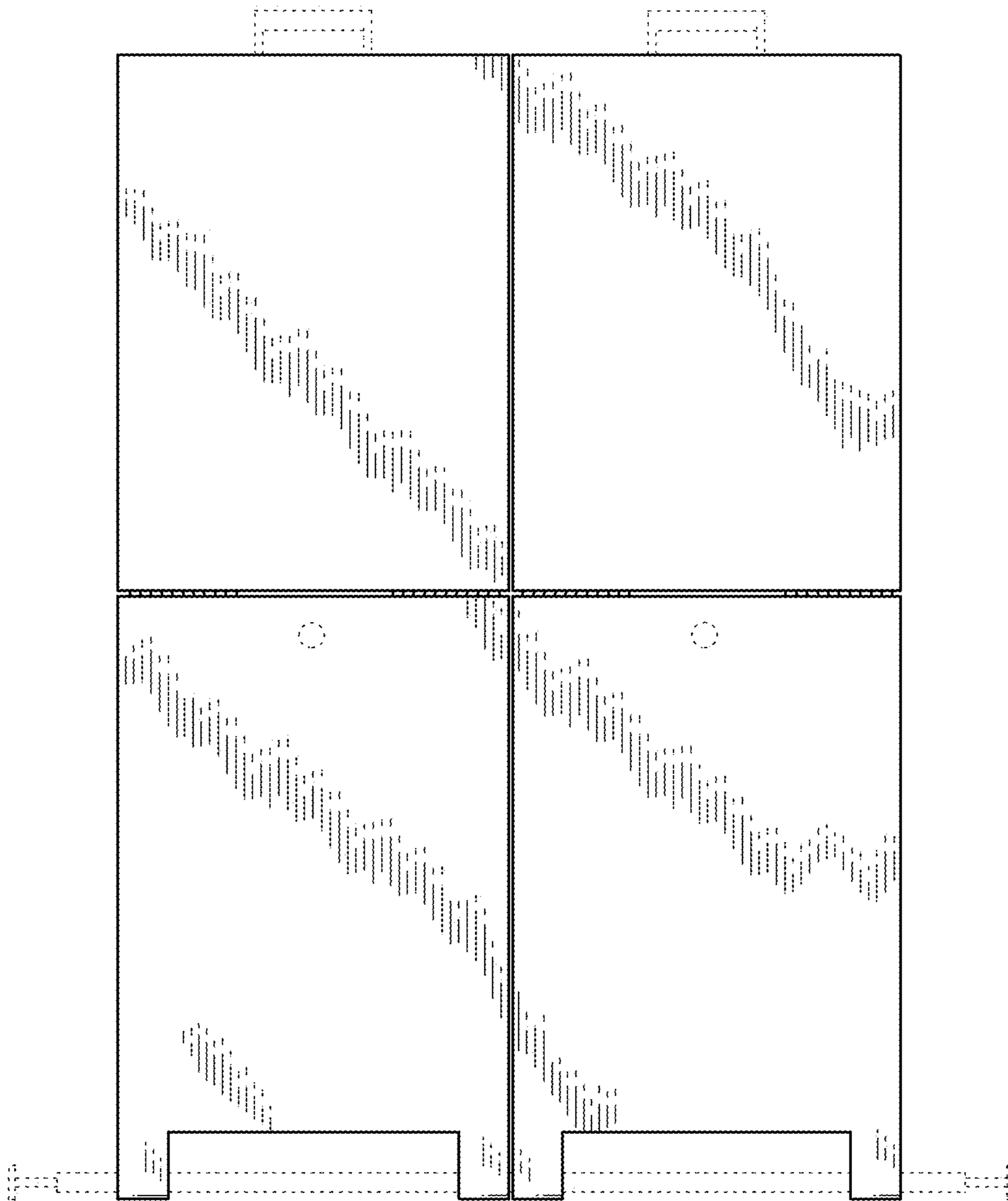


FIG. 5

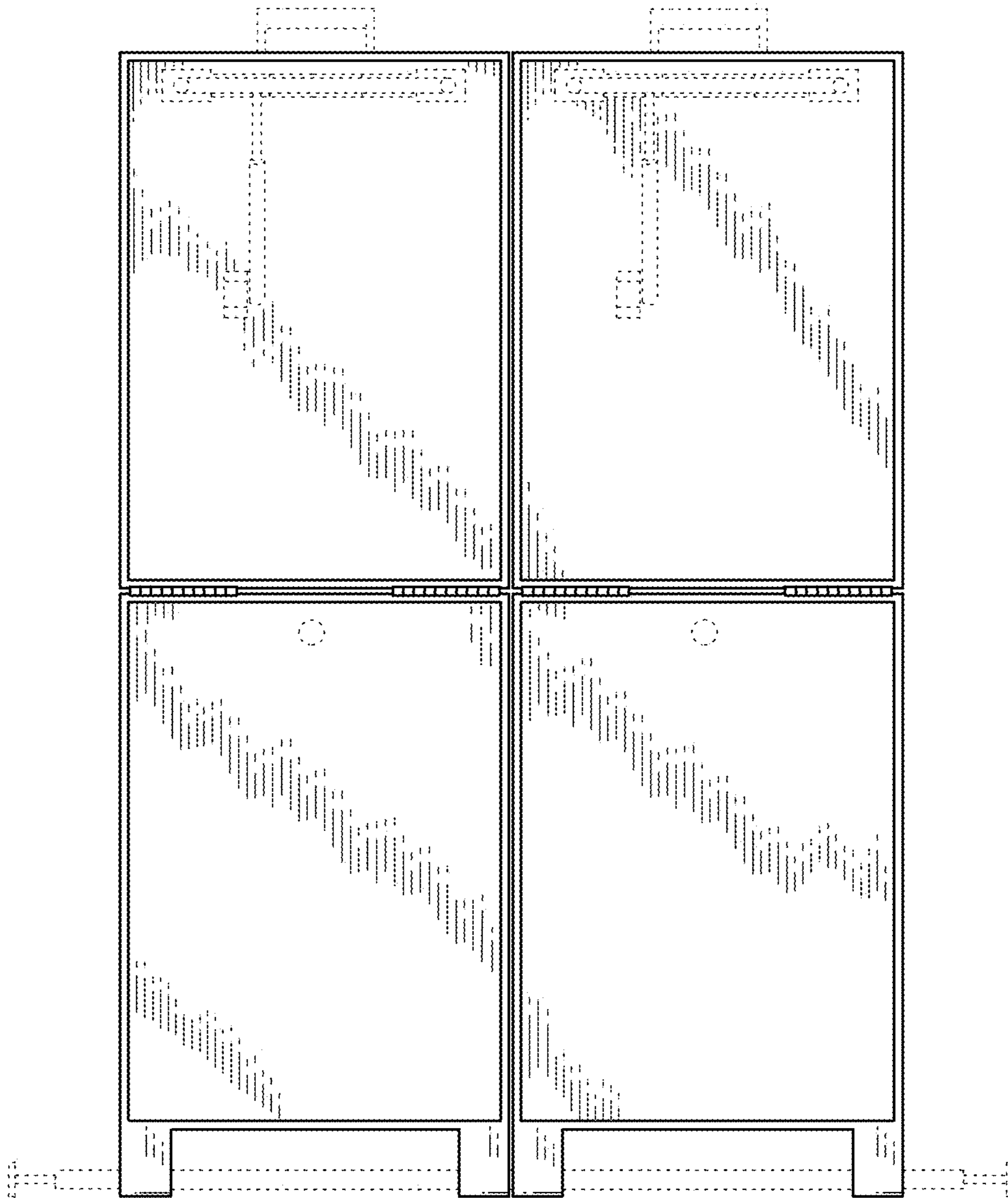


FIG. 6

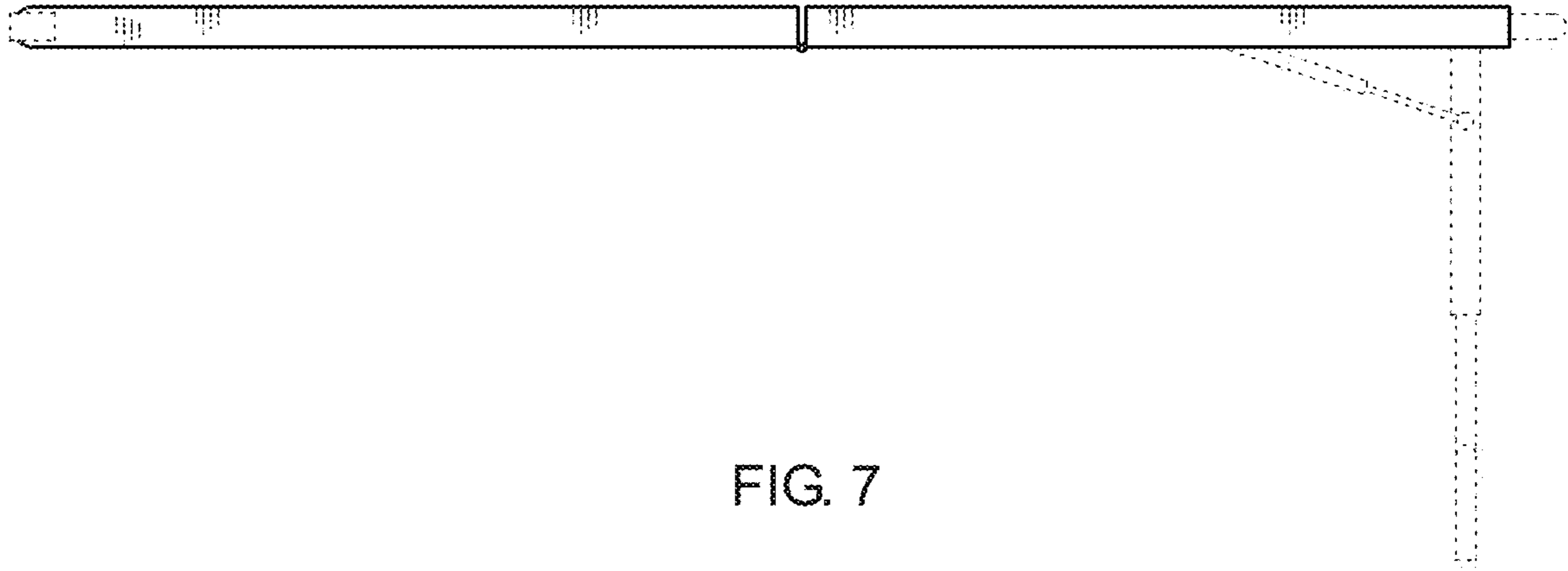


FIG. 7

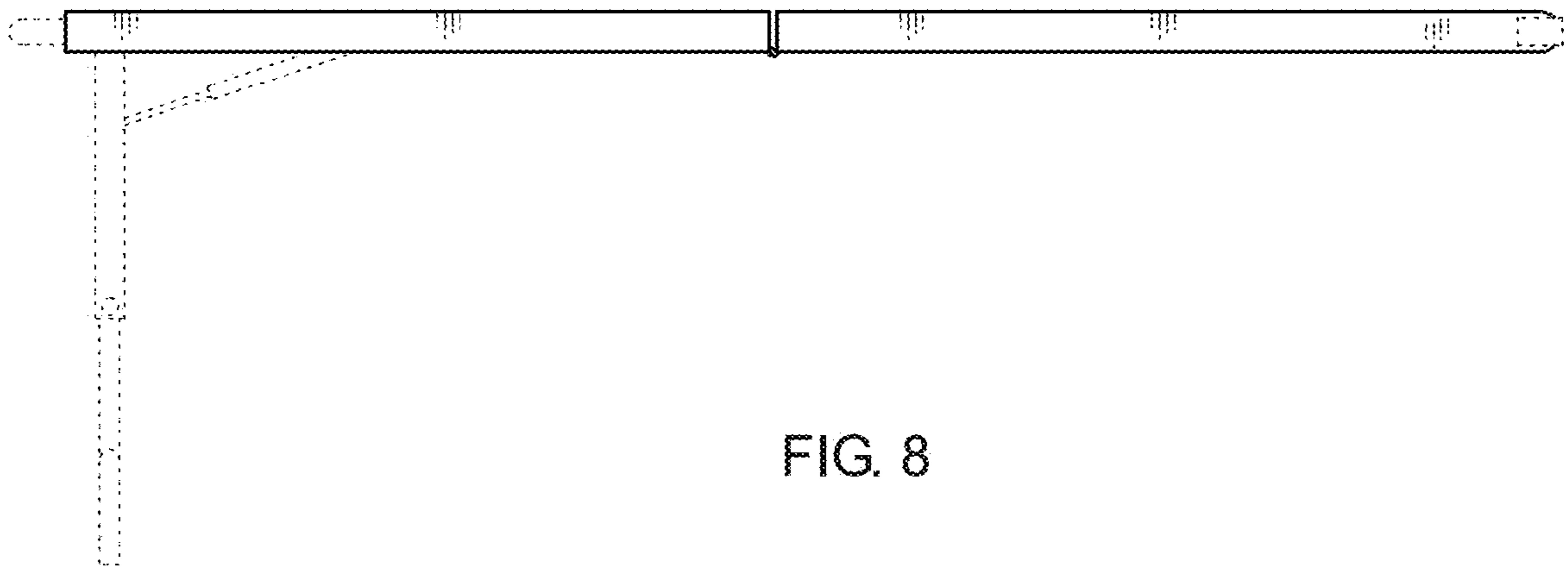


FIG. 8