



US00D889383S

(12) **United States Design Patent**
Wang

(10) **Patent No.:** **US D889,383 S**

(45) **Date of Patent:** **** Jul. 7, 2020**

(54) **DASH CAM MOUNT**

(71) Applicant: **Qin Wang**, Guangdong (CN)

(72) Inventor: **Qin Wang**, Guangdong (CN)

(**) Term: **15 Years**

(21) Appl. No.: **29/727,999**

(22) Filed: **Mar. 16, 2020**

(51) **LOC (12) Cl.** **12-16**

(52) **U.S. Cl.**
USPC **D12/415**

(58) **Field of Classification Search**
USPC D12/415-420, 400, 191, 423; D6/513,
D6/514, 611, 553, 556, 559; D14/253
CPC B60R 2011/0005; B60R 11/02
See application file for complete search history.

(56) **References Cited**

U.S. PATENT DOCUMENTS

| | | | |
|--------------|--------|--------------|---------|
| D765,016 S | 8/2016 | Azadi et al. | |
| D873,260 S * | 1/2020 | Dang | D14/253 |
| D874,385 S * | 2/2020 | Jang | D12/415 |
| D876,316 S * | 2/2020 | Peters | D12/415 |
| D877,043 S * | 3/2020 | MacNeil | D12/415 |

| | | | |
|-------------------|--------|----------|-------------------------|
| D877,138 S * | 3/2020 | McSweyn | D14/253 |
| D879,090 S * | 3/2020 | Chung | D14/253 |
| D881,111 S * | 4/2020 | Lee | D12/415 |
| D882,486 S * | 4/2020 | Deng | D12/415 |
| 2010/0001151 A1 * | 1/2010 | Wheatley | B60R 11/00 248/206.2 |
| 2020/0079295 A1 * | 3/2020 | Yamamoto | B60R 11/0241 |

* cited by examiner

Primary Examiner — Katrina A Betton

(74) *Attorney, Agent, or Firm* — ZanIP

(57) **CLAIM**

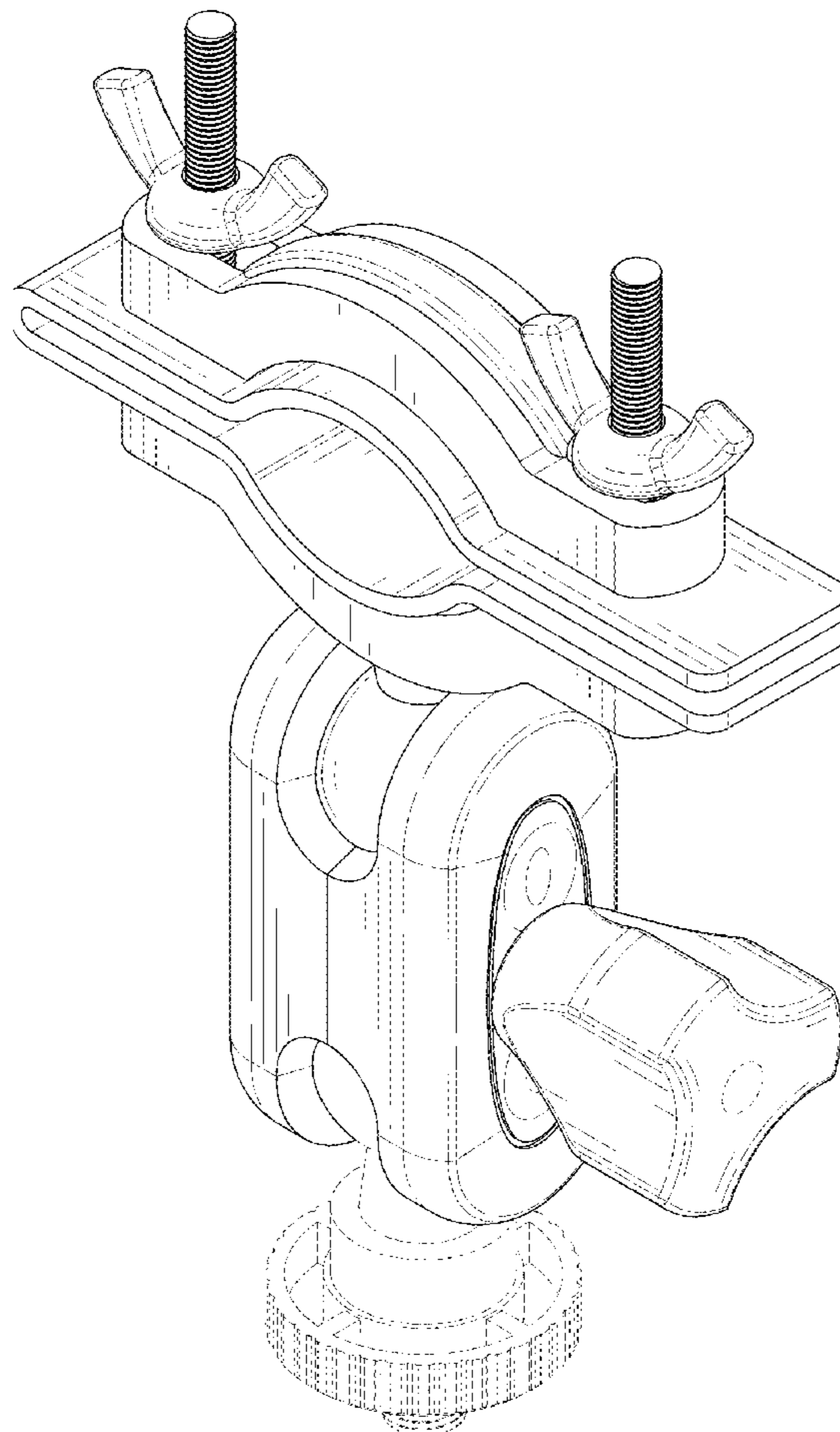
The ornamental design for a dash cam mount, as shown and described.

DESCRIPTION

FIG. 1 is a front and top perspective view of a dash cam mount, showing my new design;
FIG. 2 is a rear and bottom perspective view thereof;
FIG. 3 is a front elevational view thereof;
FIG. 4 is a rear elevational view thereof;
FIG. 5 is a left side elevational view thereof;
FIG. 6 is a right side elevational view thereof;
FIG. 7 is a top plan view thereof; and,
FIG. 8 is a bottom plan view thereof.

The broken lines in the figures illustrate portions of the dash cam mount that form no part of the claimed design.

1 Claim, 8 Drawing Sheets



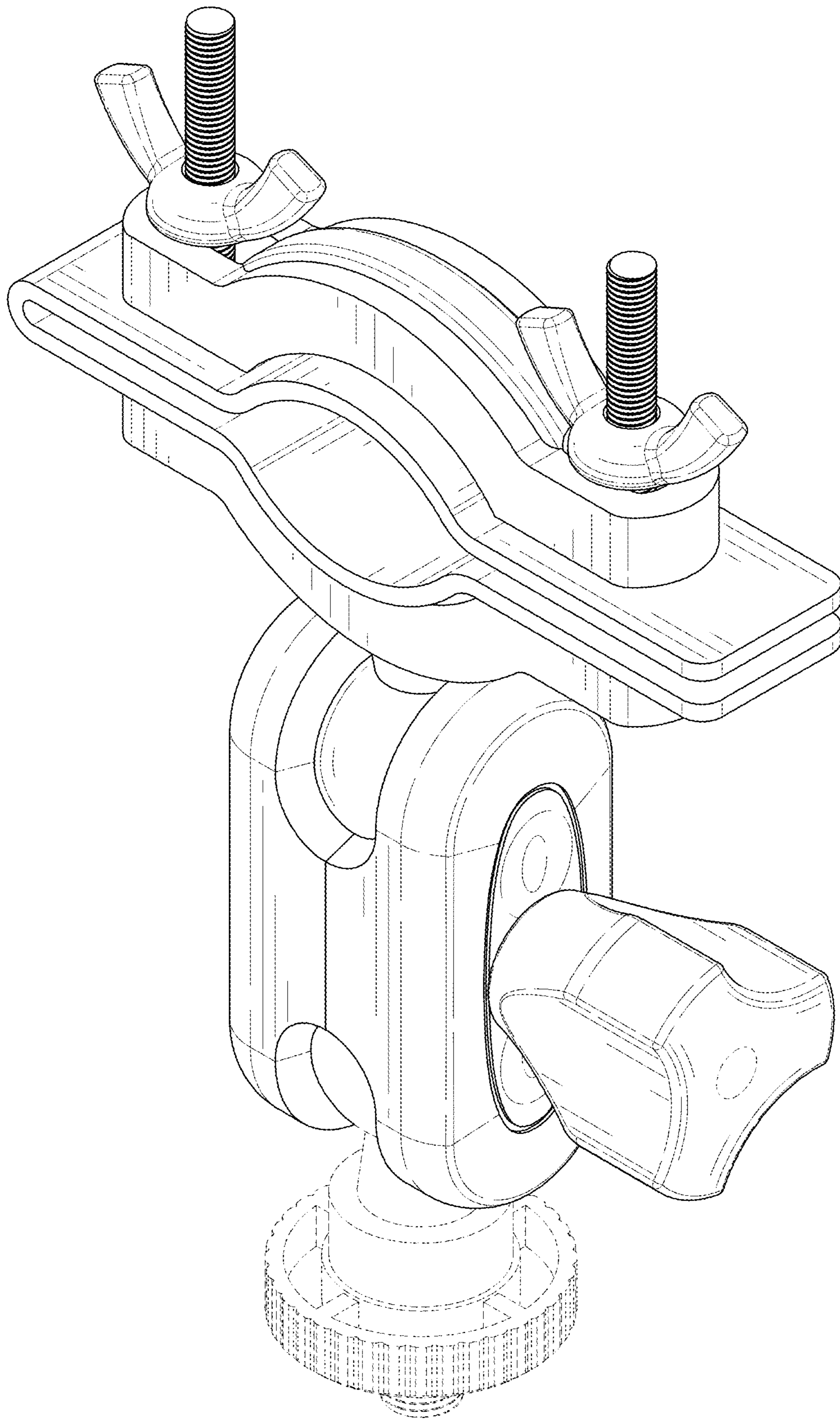


FIG. 1

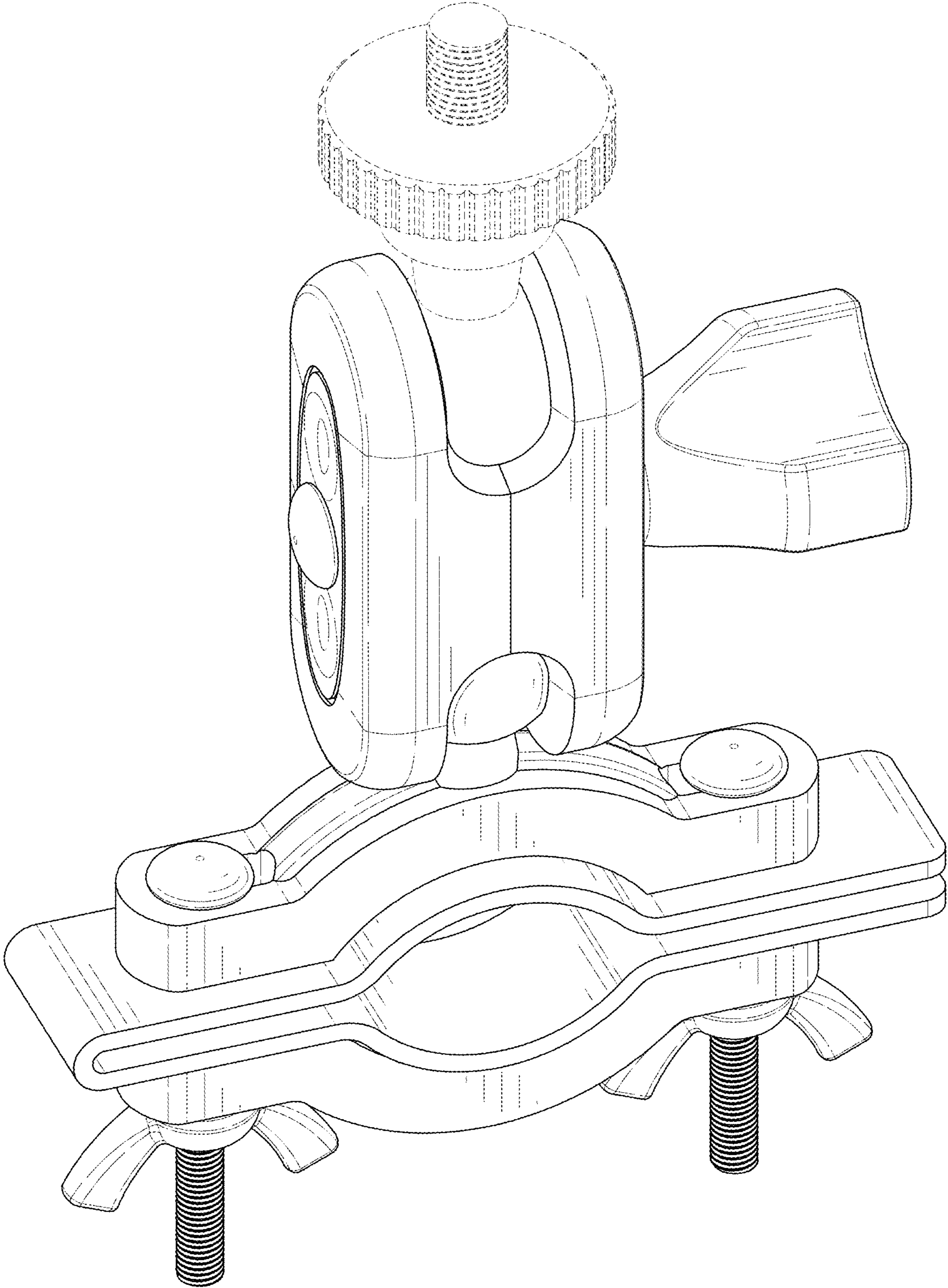


FIG. 2

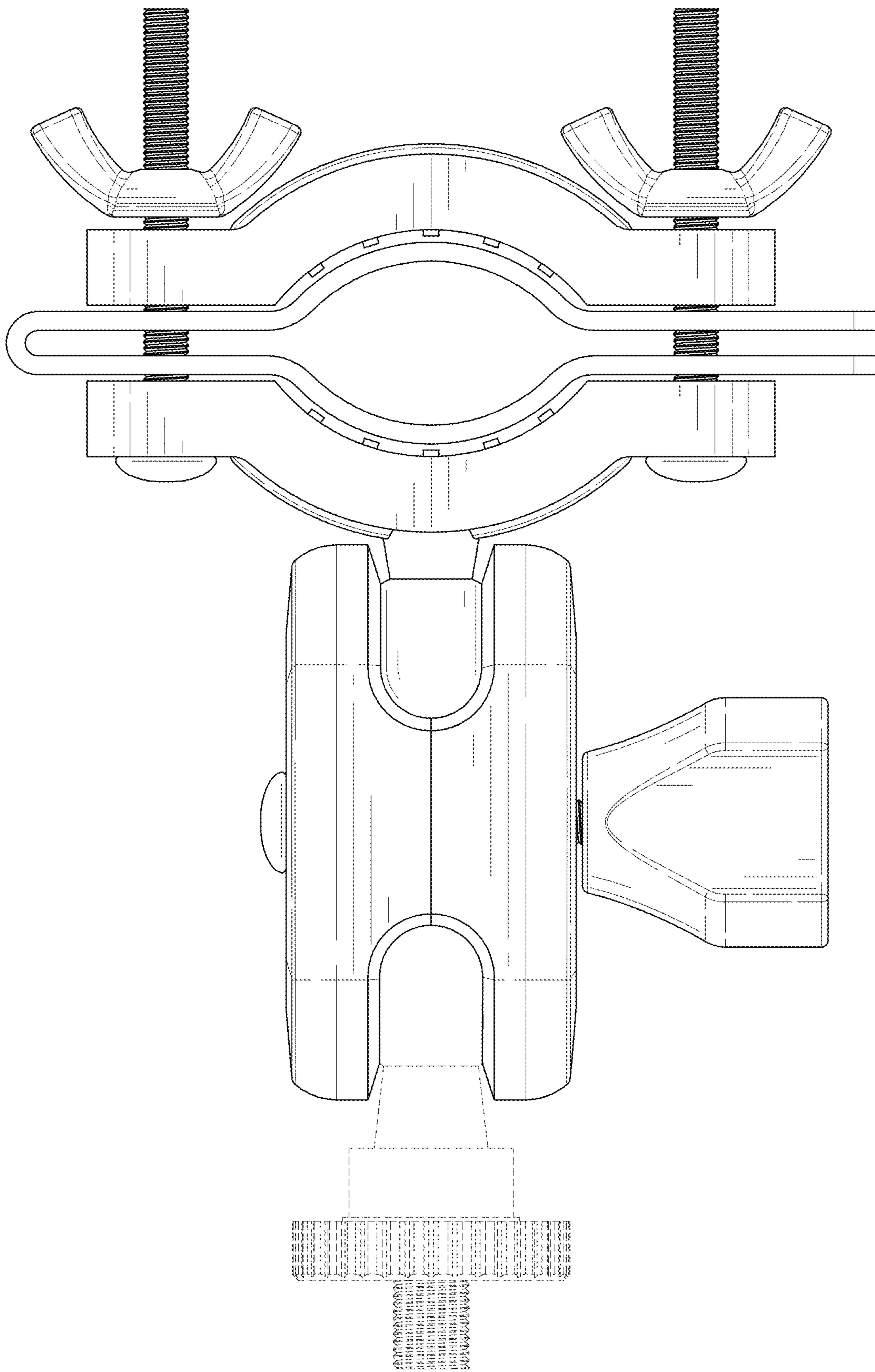


FIG. 3

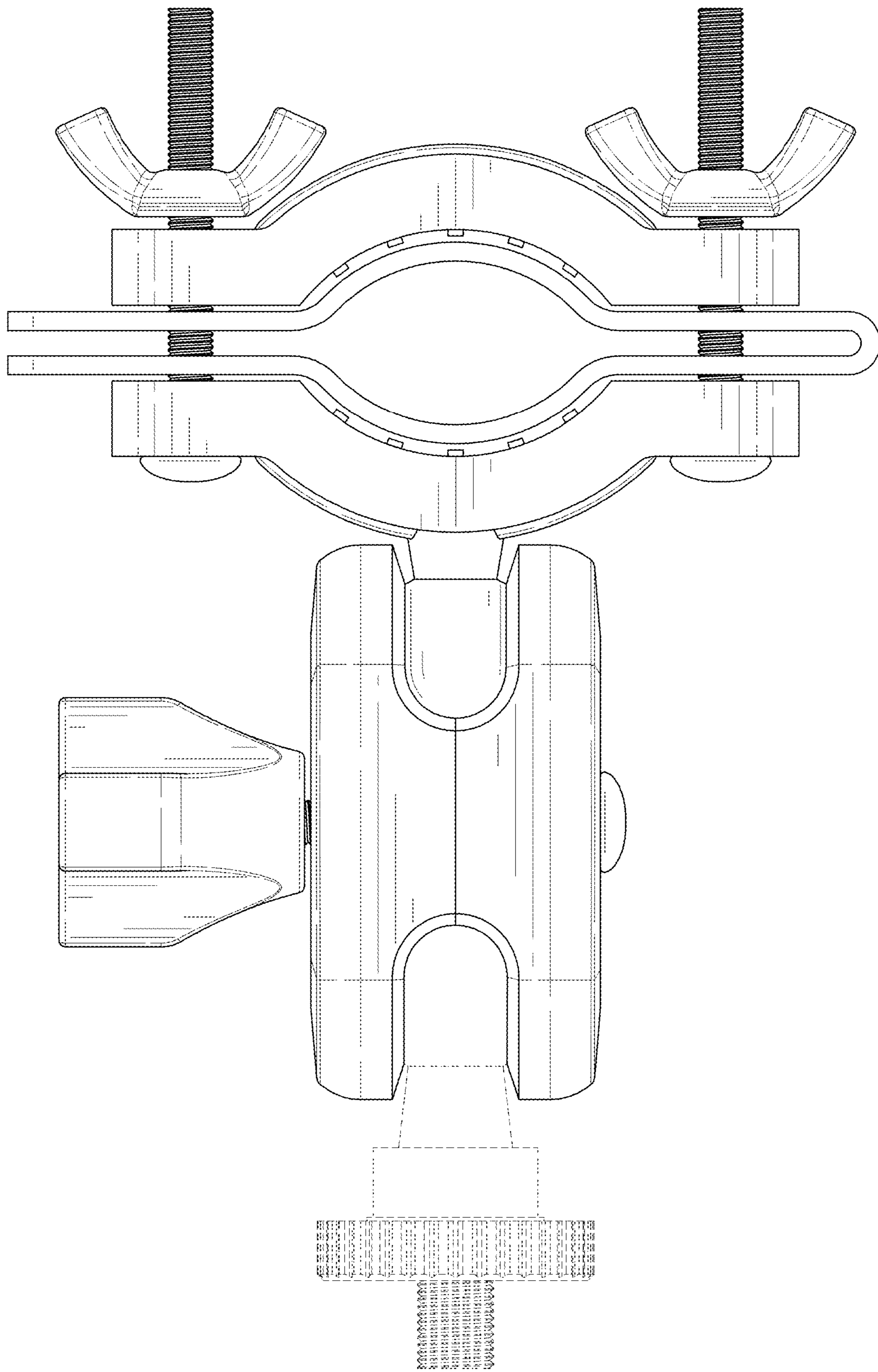


FIG. 4

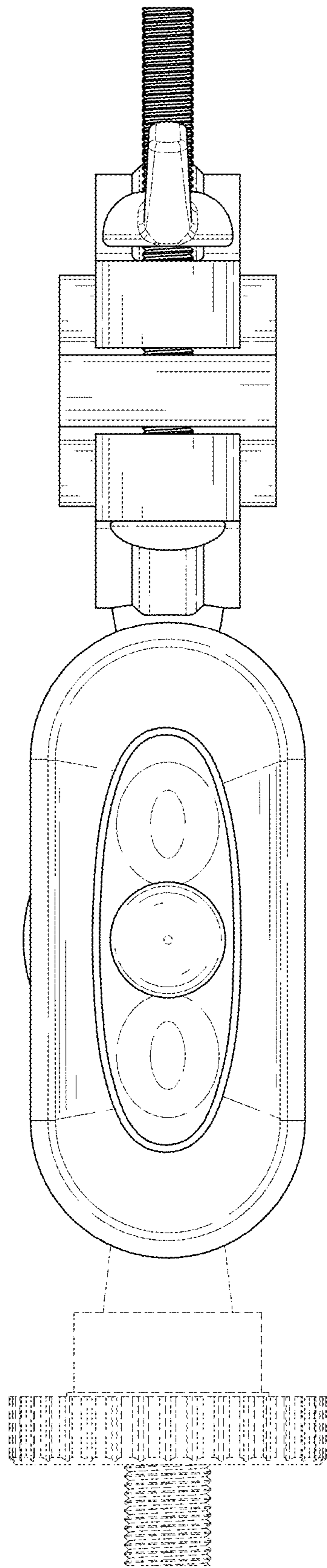


FIG. 5

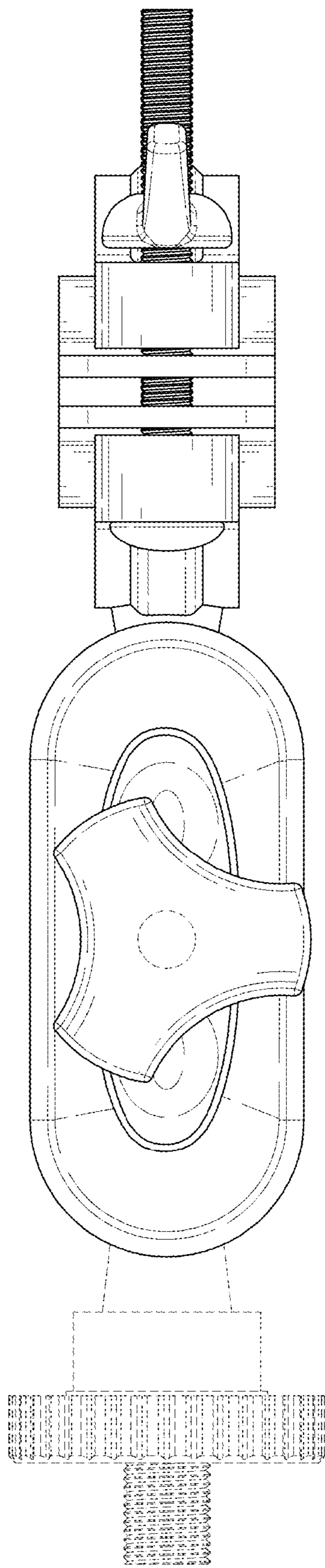


FIG. 6

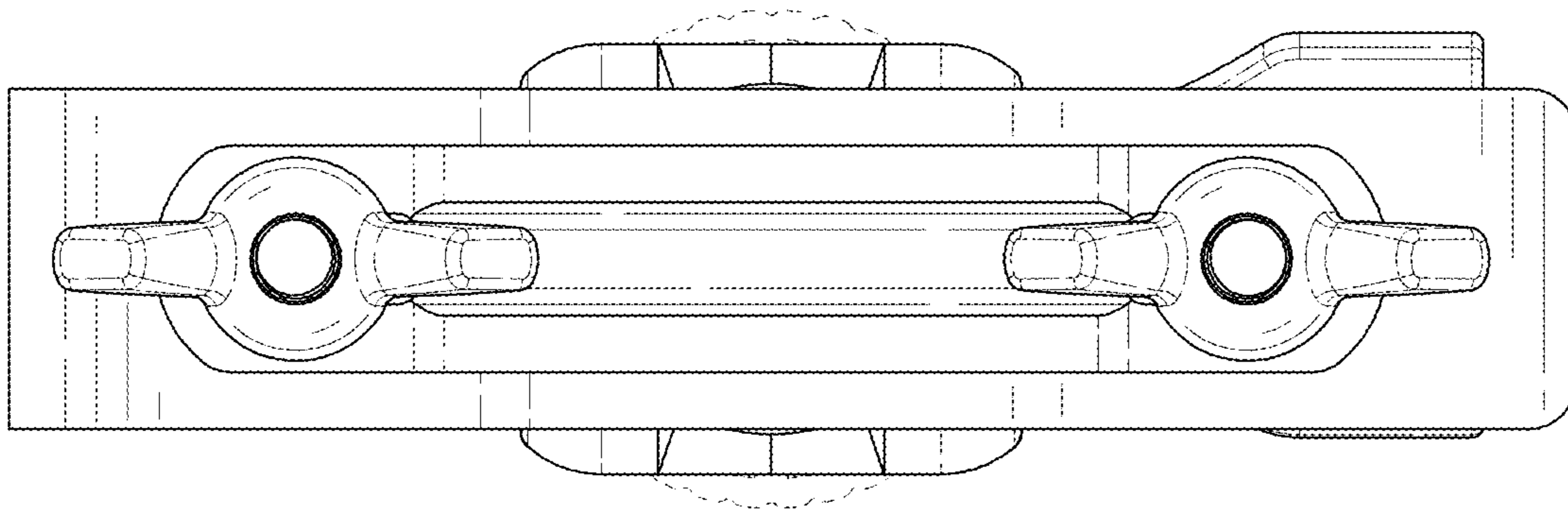


FIG. 7

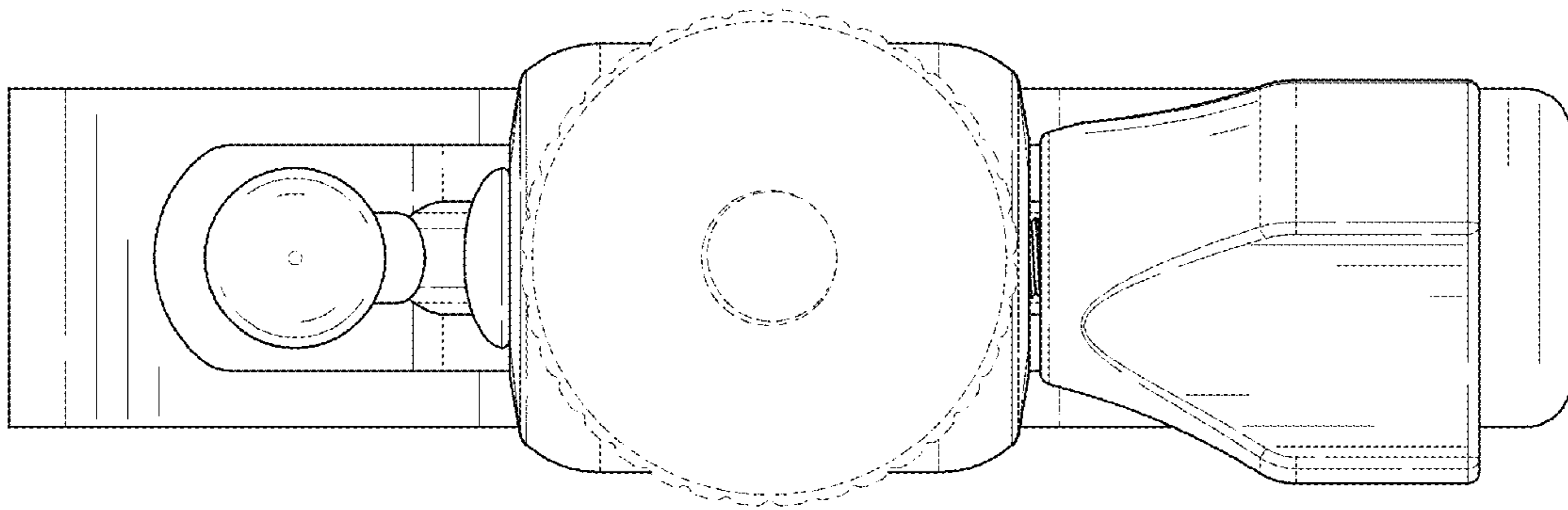


FIG. 8