



US00D889382S

(12) **United States Design Patent**
Lan

(10) **Patent No.:** **US D889,382 S**

(45) **Date of Patent:** **** Jul. 7, 2020**

(54) **VEHICLE-MOUNTED ALUMINUM TUBE
TELESCOPIC MOBILE PHONE HOLDER**

(71) Applicant: **Changwen Lan**, Dongguan (CN)

(72) Inventor: **Changwen Lan**, Dongguan (CN)

(**) Term: **15 Years**

(21) Appl. No.: **29/675,893**

(22) Filed: **Jan. 7, 2019**

(51) **LOC (12) Cl.** **12-16**

(52) **U.S. Cl.**
USPC **D12/415**

(58) **Field of Classification Search**
USPC D12/415-420, 400, 191, 423; D6/513,
D6/514, 553, 556, 559; D14/253
CPC B60R 2011/0005; B60R 11/02
See application file for complete search history.

(56) **References Cited**

U.S. PATENT DOCUMENTS

| | | | | | |
|------------|---|---------|---------|-------|---------|
| D862,454 S | * | 10/2019 | Chun | | D14/253 |
| D864,092 S | * | 10/2019 | Zhang | | D12/415 |
| D865,751 S | * | 11/2019 | Richter | | D14/253 |
| D868,054 S | * | 11/2019 | Kim | | D14/253 |
| D873,260 S | * | 1/2020 | Dang | | D14/253 |
| D873,813 S | * | 1/2020 | Zhong | | D14/253 |
| D874,385 S | * | 2/2020 | Jang | | D12/415 |
| D876,316 S | * | 2/2020 | Peters | | D12/415 |
| D877,138 S | * | 3/2020 | McSweyn | | D14/253 |
| D877,688 S | * | 3/2020 | Liu | | D12/415 |
| D878,539 S | * | 3/2020 | Lu | | D23/368 |
| D879,090 S | * | 3/2020 | Chung | | D14/253 |
| D882,486 S | * | 4/2020 | Deng | | D12/415 |

* cited by examiner

Primary Examiner — Katrina A Betton

(74) *Attorney, Agent, or Firm* — IPro, PLLC

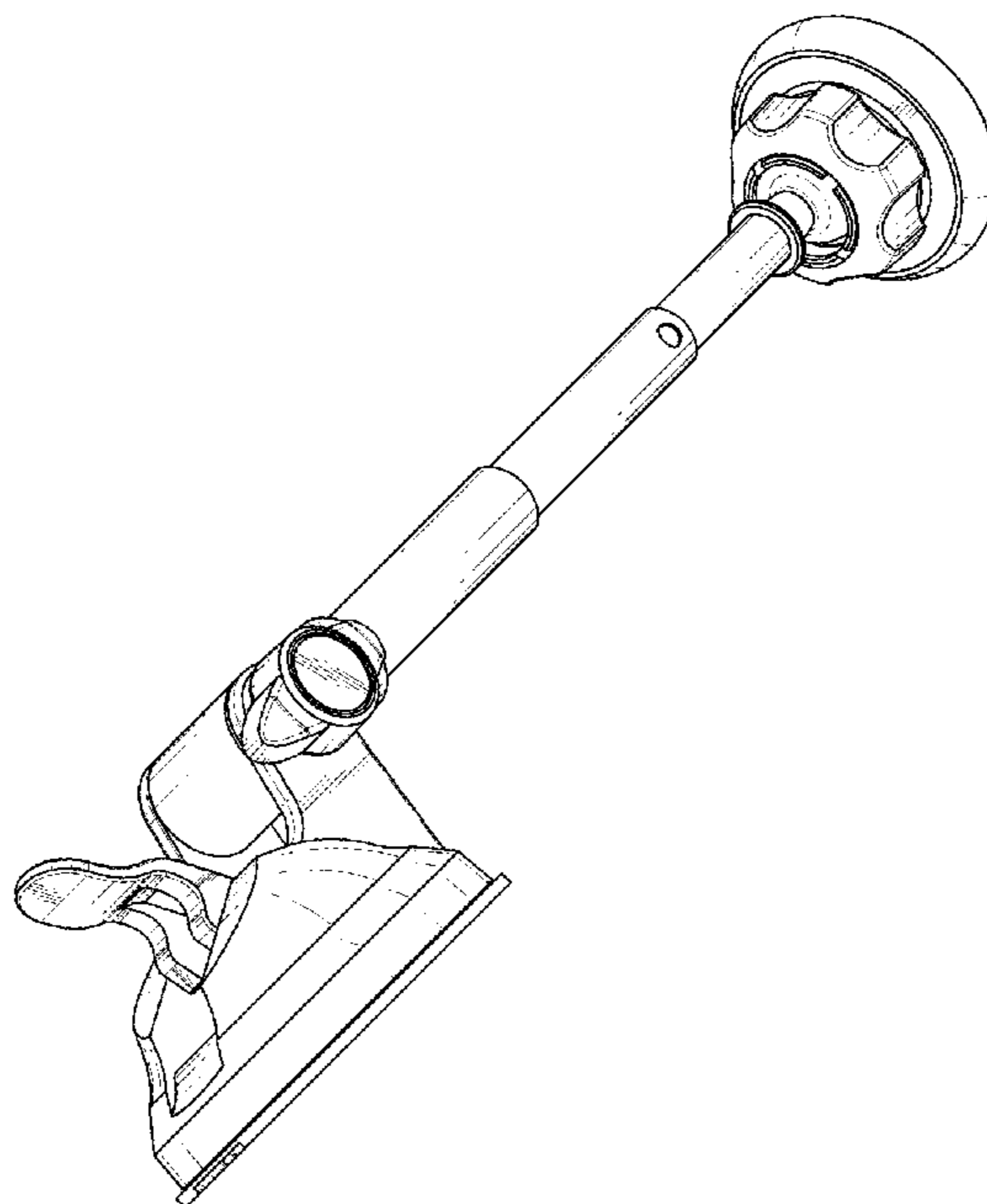
(57) **CLAIM**

The ornamental design for a vehicle-mounted aluminum tube telescopic mobile phone holder, as shown and described.

DESCRIPTION

FIG. 1 is a side view of a vehicle-mounted aluminum tube telescopic mobile phone holder embodying the new design; FIG. 2 is another side view thereof; FIG. 3 is a top view thereof; FIG. 4 is a bottom view thereof; FIG. 5 is a front view thereof; FIG. 6 is a back view thereof; FIG. 7 is a perspective view thereof; FIG. 8 is a side view of the vehicle-mounted aluminum tube telescopic mobile phone holder with an arm part in extended position; FIG. 9 is another side view of the vehicle-mounted aluminum tube telescopic mobile phone holder with an arm part in extended position; FIG. 10 is a top view of the vehicle-mounted aluminum tube telescopic mobile phone holder with an arm part in extended position; FIG. 11 is a bottom view of the vehicle-mounted aluminum tube telescopic mobile phone holder with an arm part in extended position; FIG. 12 is a front view of the vehicle-mounted aluminum tube telescopic mobile phone holder with an arm part in extended position; FIG. 13 is a back view of the vehicle-mounted aluminum tube telescopic mobile phone holder with an arm part in extended position; and, FIG. 14 is a perspective view of the vehicle-mounted aluminum tube telescopic mobile phone holder with an arm part in extended position.

1 Claim, 12 Drawing Sheets



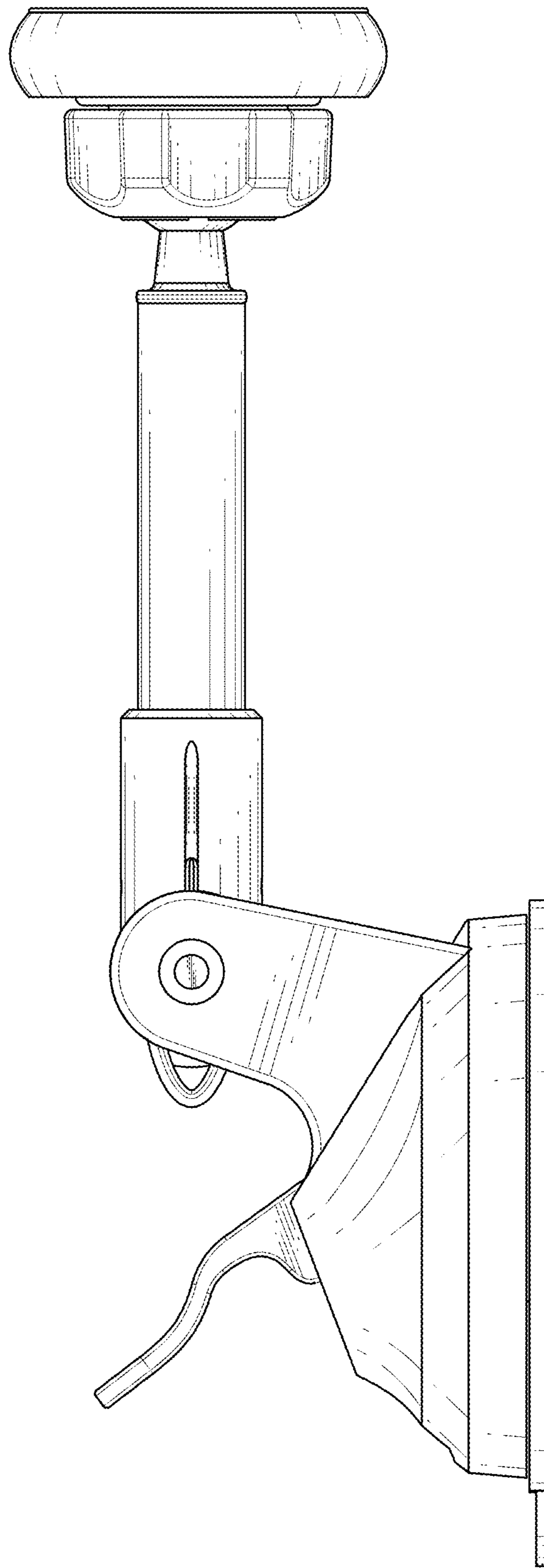


FIG. 1

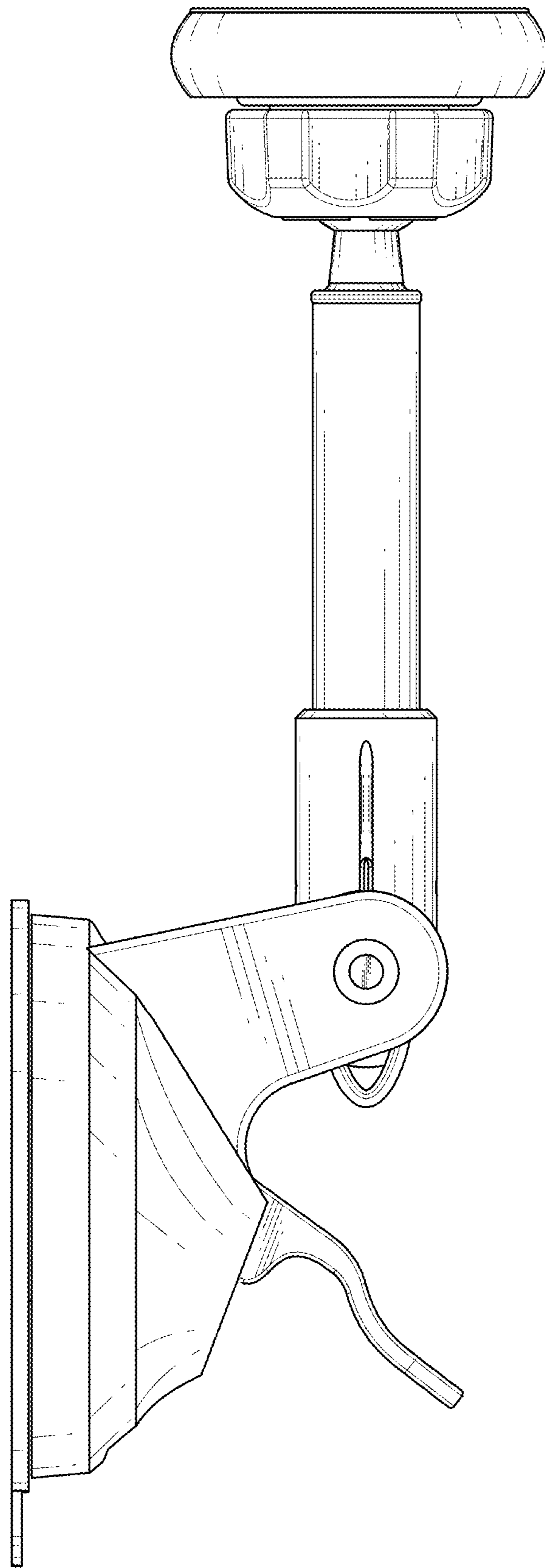


FIG. 2

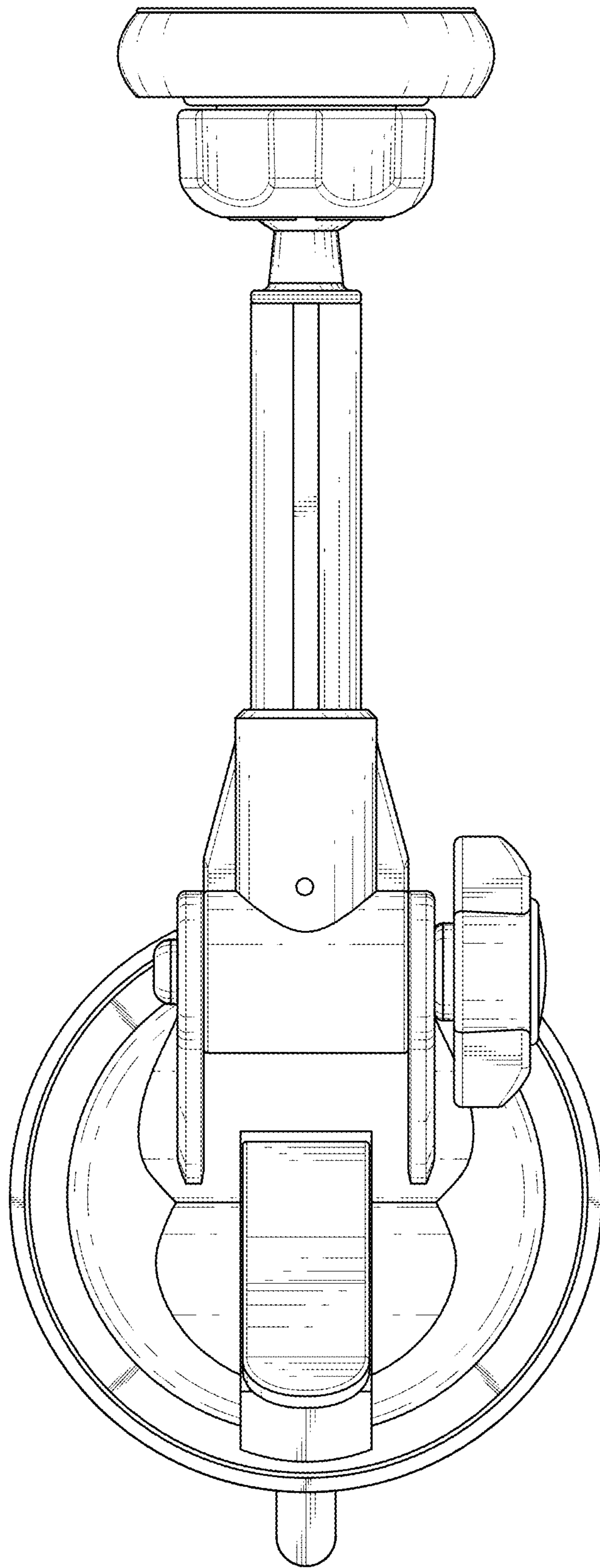


FIG. 3

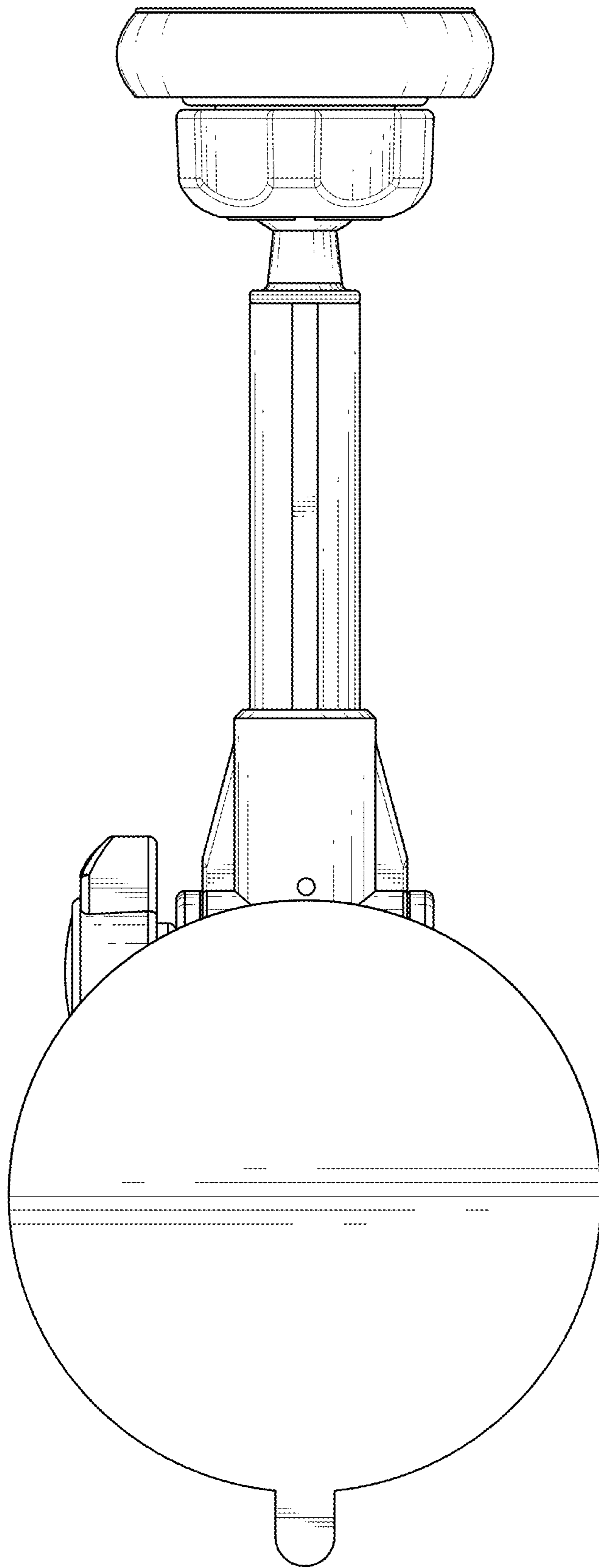


FIG. 4

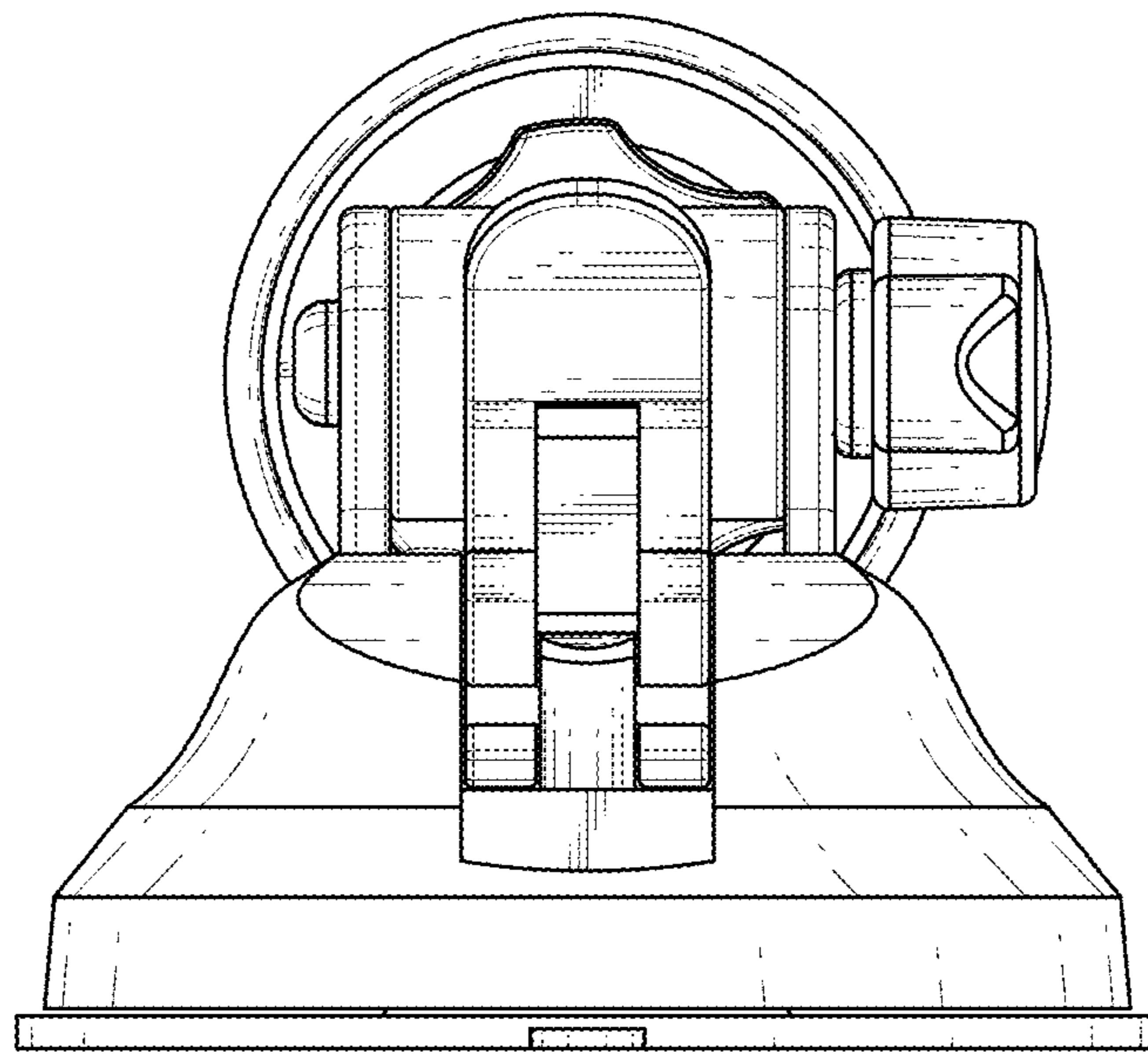


FIG. 5

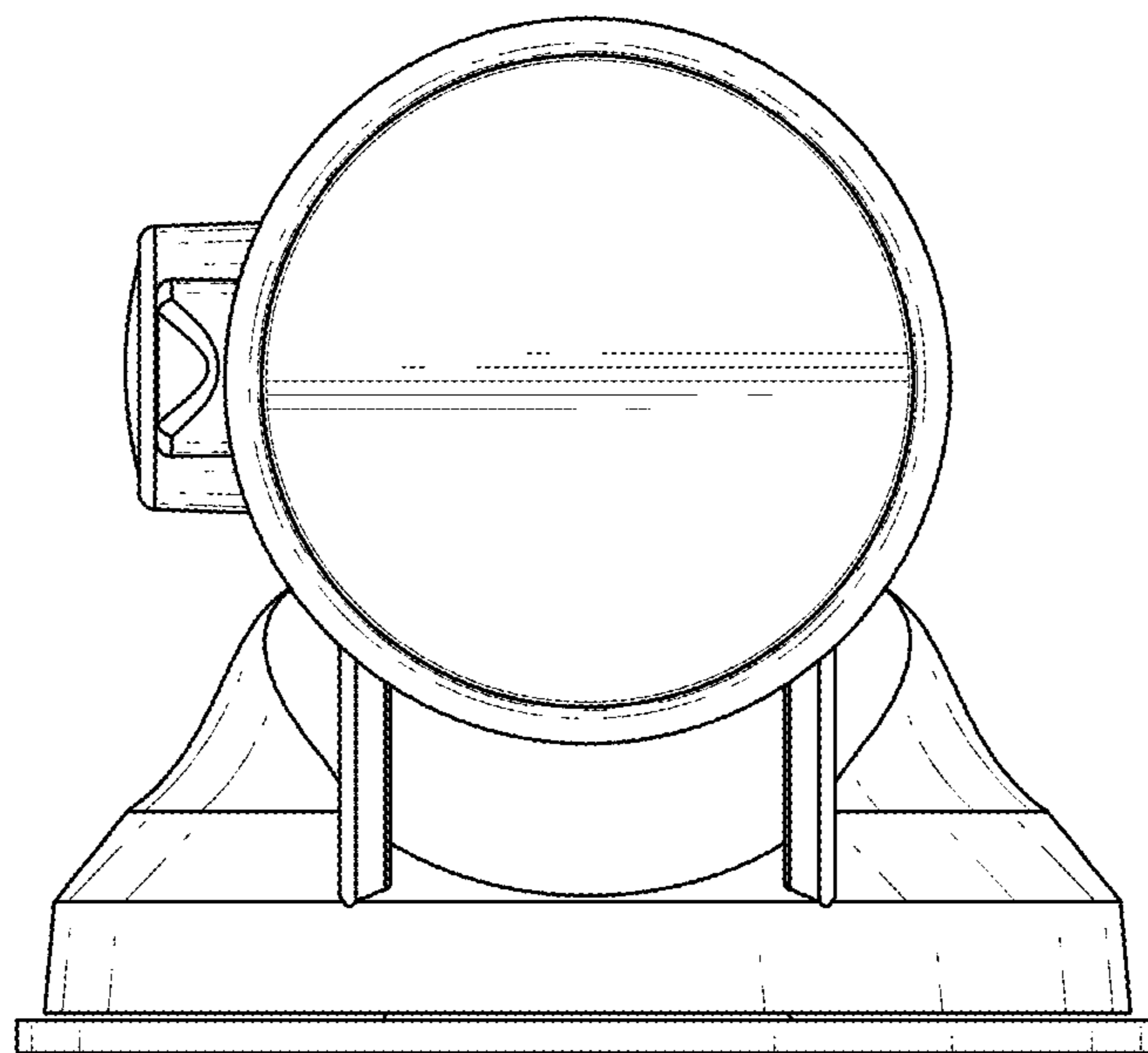


FIG. 6

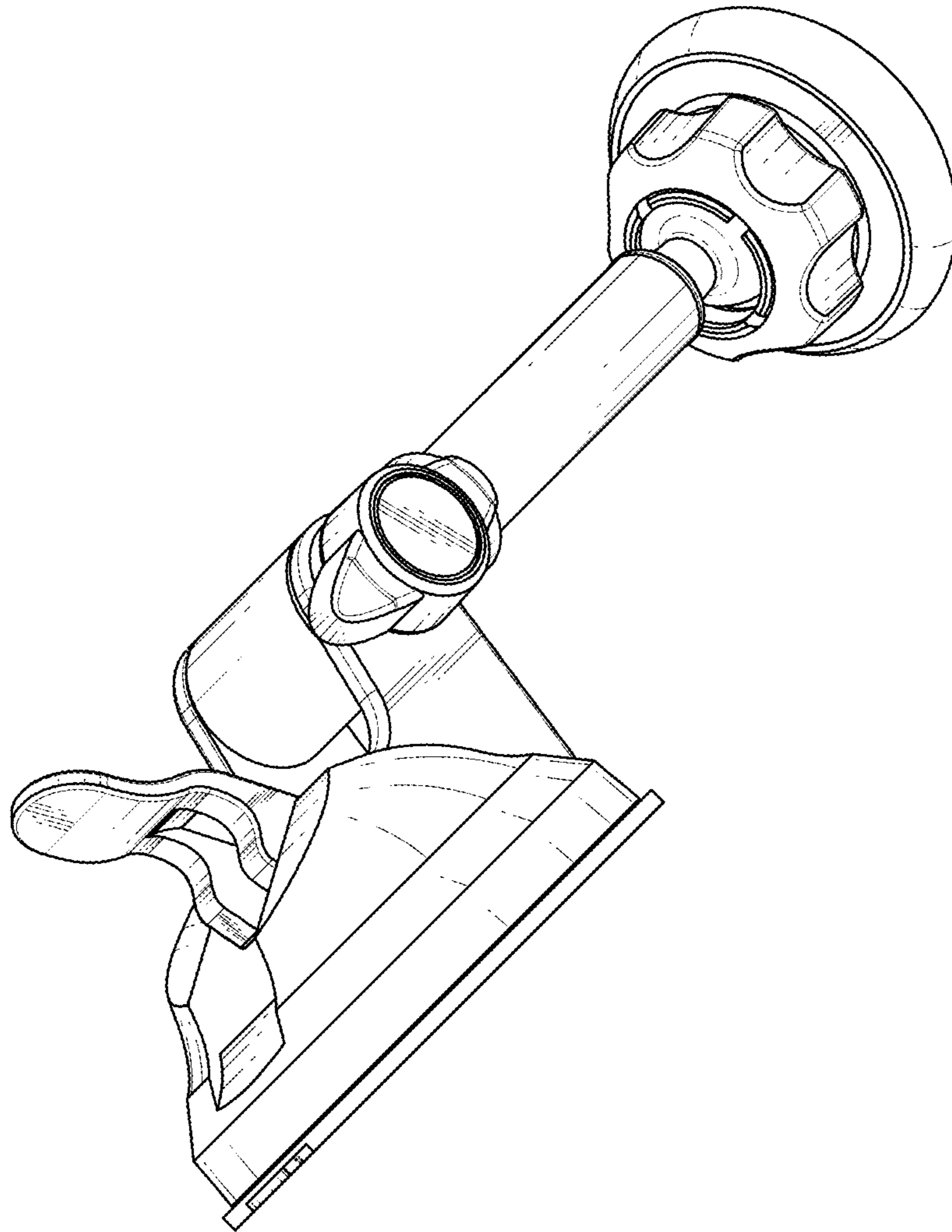


FIG. 7

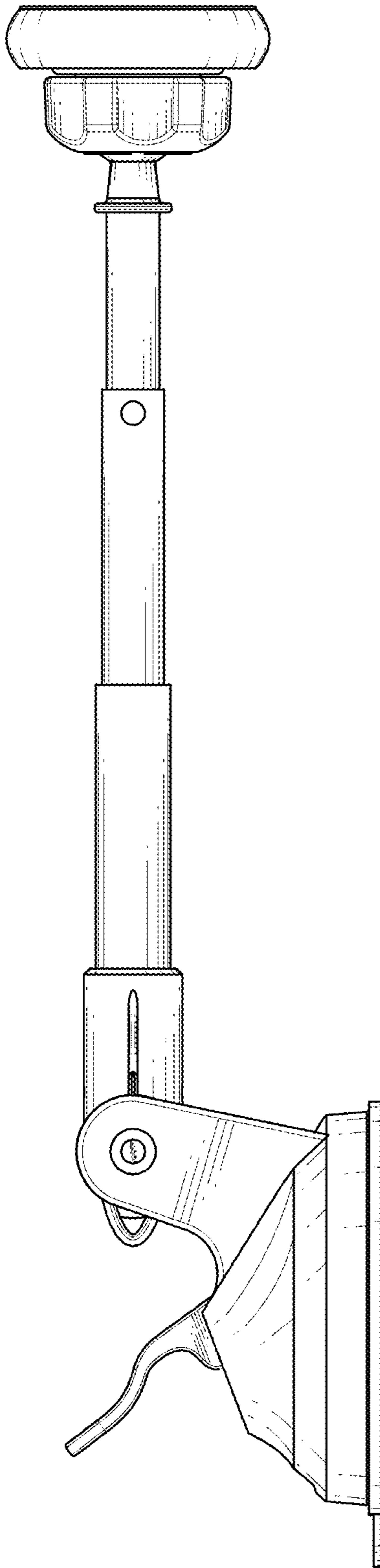


FIG. 8

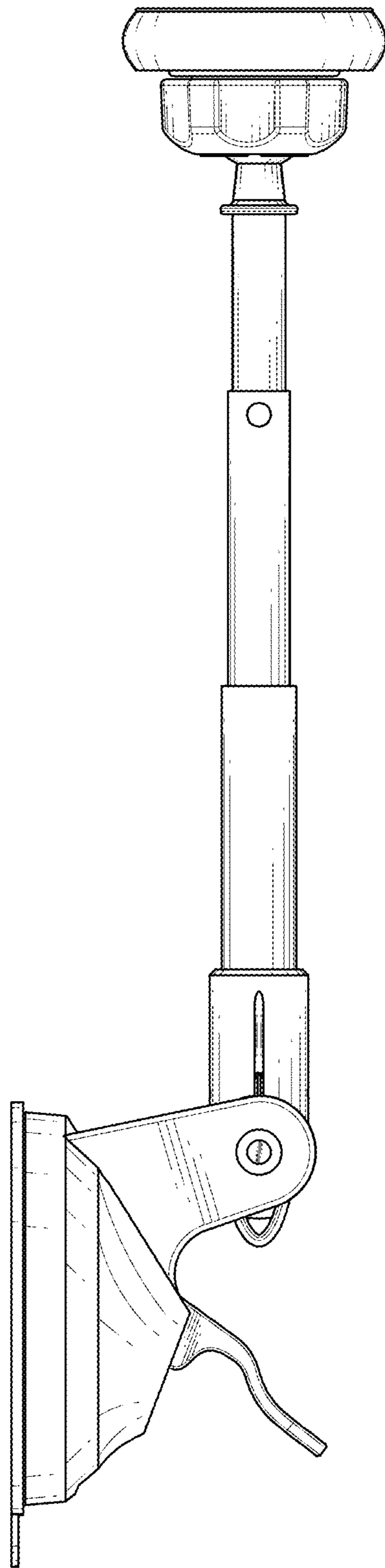


FIG. 9

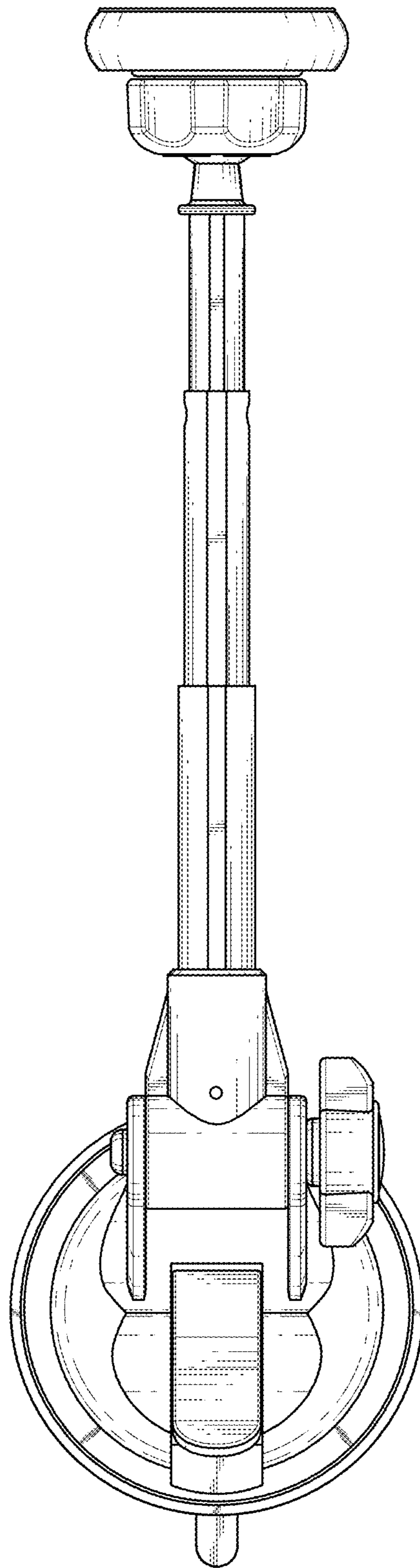


FIG. 10

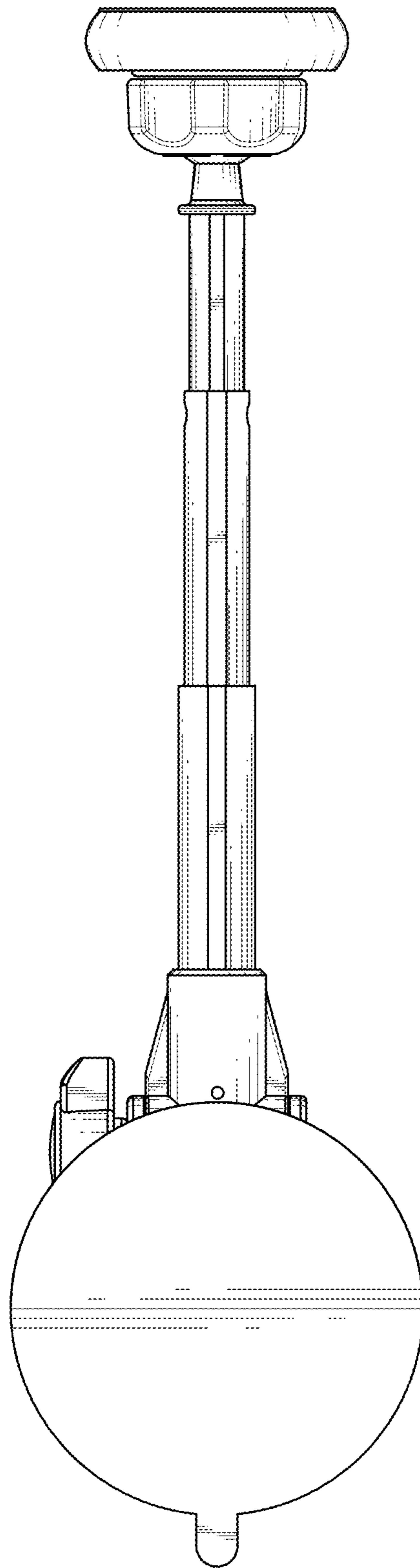


FIG. 11

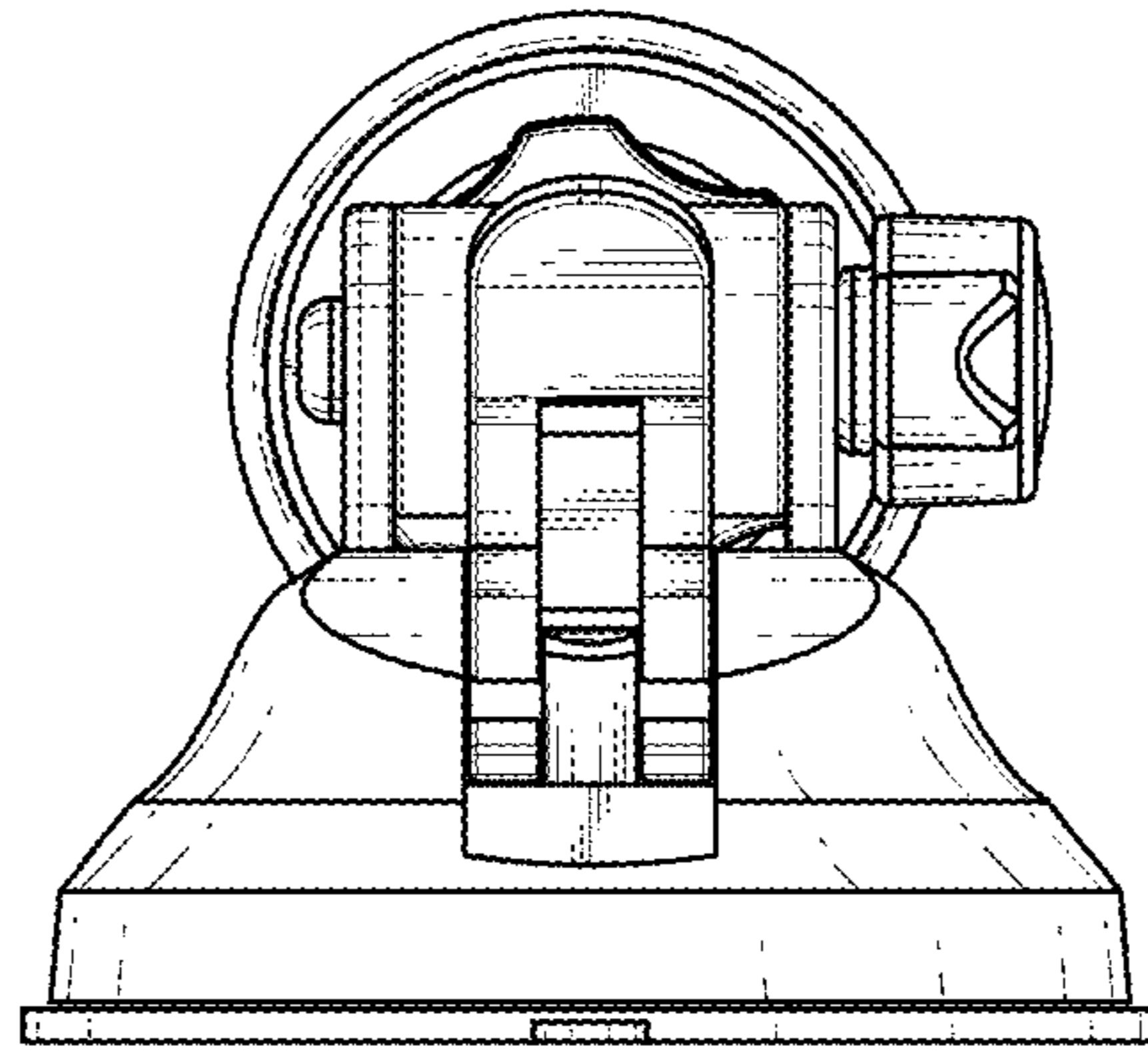


FIG. 12

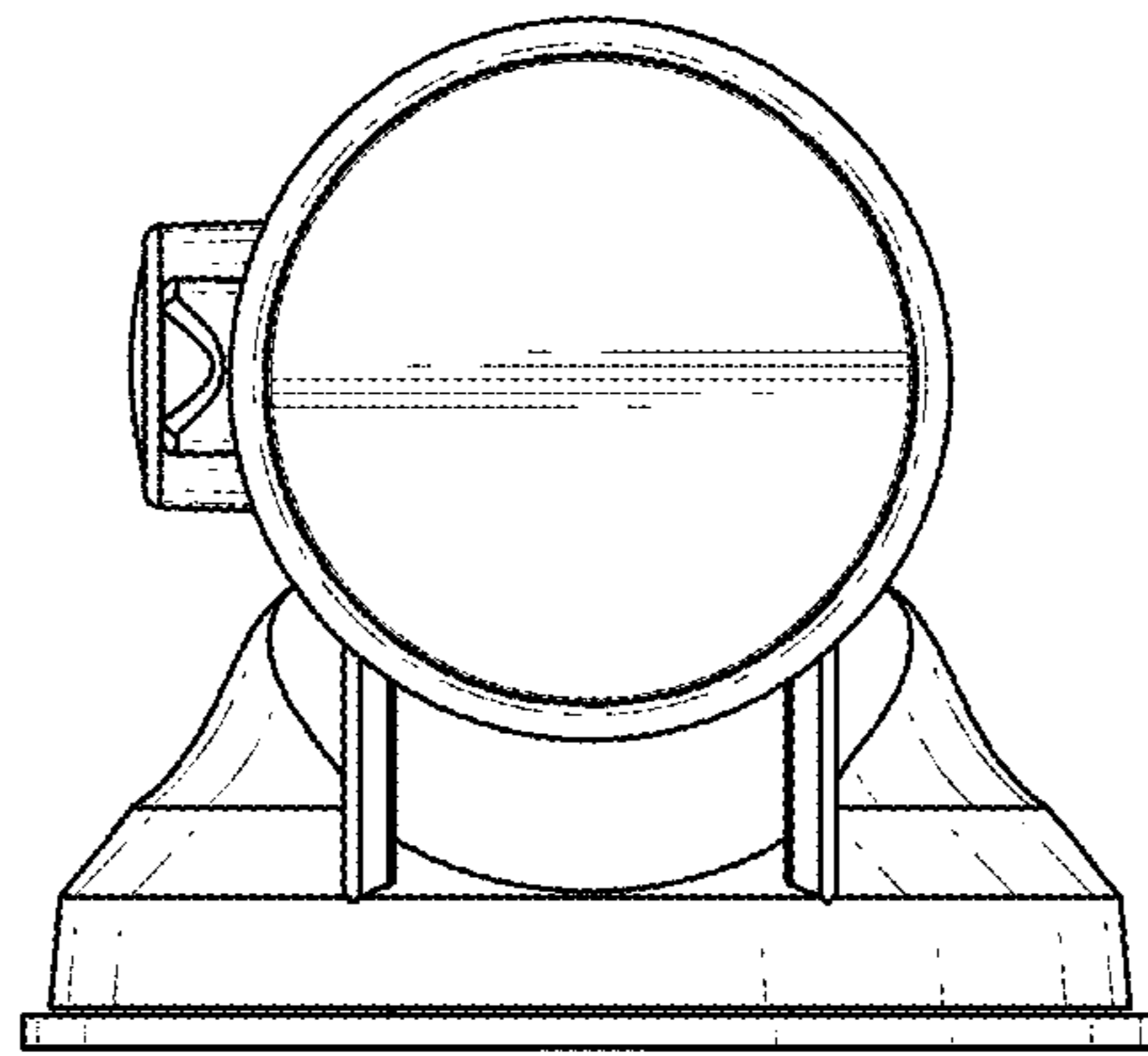


FIG. 13

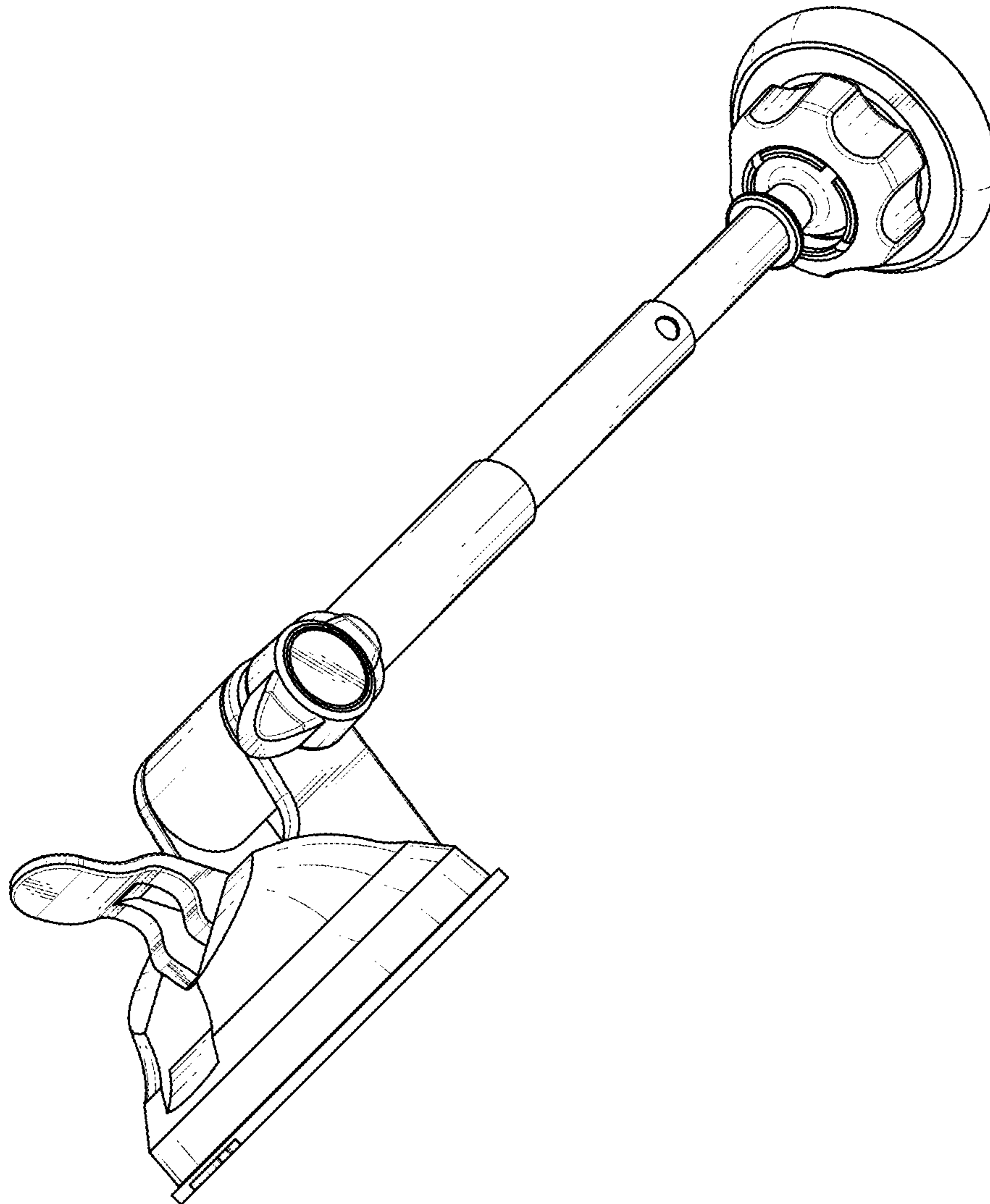


FIG. 14