



US00D889381S

(12) **United States Design Patent** (10) **Patent No.:** **US D889,381 S**
Xu et al. (45) **Date of Patent:** **** Jul. 7, 2020**

(54) **AUTOMOBILE DASHBOARD AND CONSOLE**

(56) **References Cited**

(71) Applicant: **Chongqing Jinkang New Energy Automobile Co., Ltd.**, Chongqing (CN)

U.S. PATENT DOCUMENTS

(72) Inventors: **Lin Xu**, Chongqing (CN); **Hongzhi Wang**, Chongqing (CN); **Bo Lun**, Chongqing (CN)

D597,009 S *	7/2009	Tan	D12/192
D625,233 S *	10/2010	Mizuhata	D12/192
D653,185 S *	1/2012	Senda	D12/192
D656,074 S *	3/2012	Ohmori	D12/192
D693,750 S *	11/2013	Cheung	D12/192
D693,751 S *	11/2013	Ali	D12/192
D696,171 S *	12/2013	Iwauchi	D12/192
D696,994 S *	1/2014	Tanaka	D12/192
D697,459 S *	1/2014	Yamada	D12/192
D697,461 S *	1/2014	Norman	D12/192
D697,463 S *	1/2014	Yamamoto	D12/192

(73) Assignee: **Chongqing Jinkang New Energy Automobile Co., Ltd.**, Chongqing (CN)

(Continued)

(**) Term: **15 Years**

OTHER PUBLICATIONS

(21) Appl. No.: **29/664,538**

SF Motors, Auto.Sina.Com.CN, Jul. 25, 2018 19:18:16, [online], [site visited Nov. 1, 2019]. <URL: <http://auto.sina.com.cn/newcar/x/2018-07-25/detail-ihfvkitw5385524.shtml>> (Year: 2018).*

(22) Filed: **Sep. 26, 2018**

(Continued)

(30) **Foreign Application Priority Data**

Mar. 26, 2018 (CN) 2018 3 0114400

(51) **LOC (12) Cl.** **12-16**

(52) **U.S. Cl.**
USPC **D12/415**

(58) **Field of Classification Search**
USPC D14/157, 485, 489, 492, 488, 490;
D20/28, 35; D12/191, 192, 190, 195,
D12/345, 415-420, 400, 110, 114, 106,
D12/96, 99; 296/70, 24.3, 37.12;
702/165; 345/158, 594; D10/113.4, 49,
D10/46, 98, 102, 103, 122, 123, 124, 125,
D10/126, 127; 715/839; D15/17, 28
CPC ... B60R 21/045; B60R 2300/305; B60R 7/04;
B60R 7/06; B60R 7/08; B60K 35/00;
B60K 37/00; B60K 37/02; B60K 37/04;
B60K 37/06; G06F 3/04817; H04N
21/4307; H04N 21/4312

See application file for complete search history.

Primary Examiner — T Chase Nelson

Assistant Examiner — Jonathan J. Han

(74) *Attorney, Agent, or Firm* — Kilpatrick Townsend & Stockton, LLP

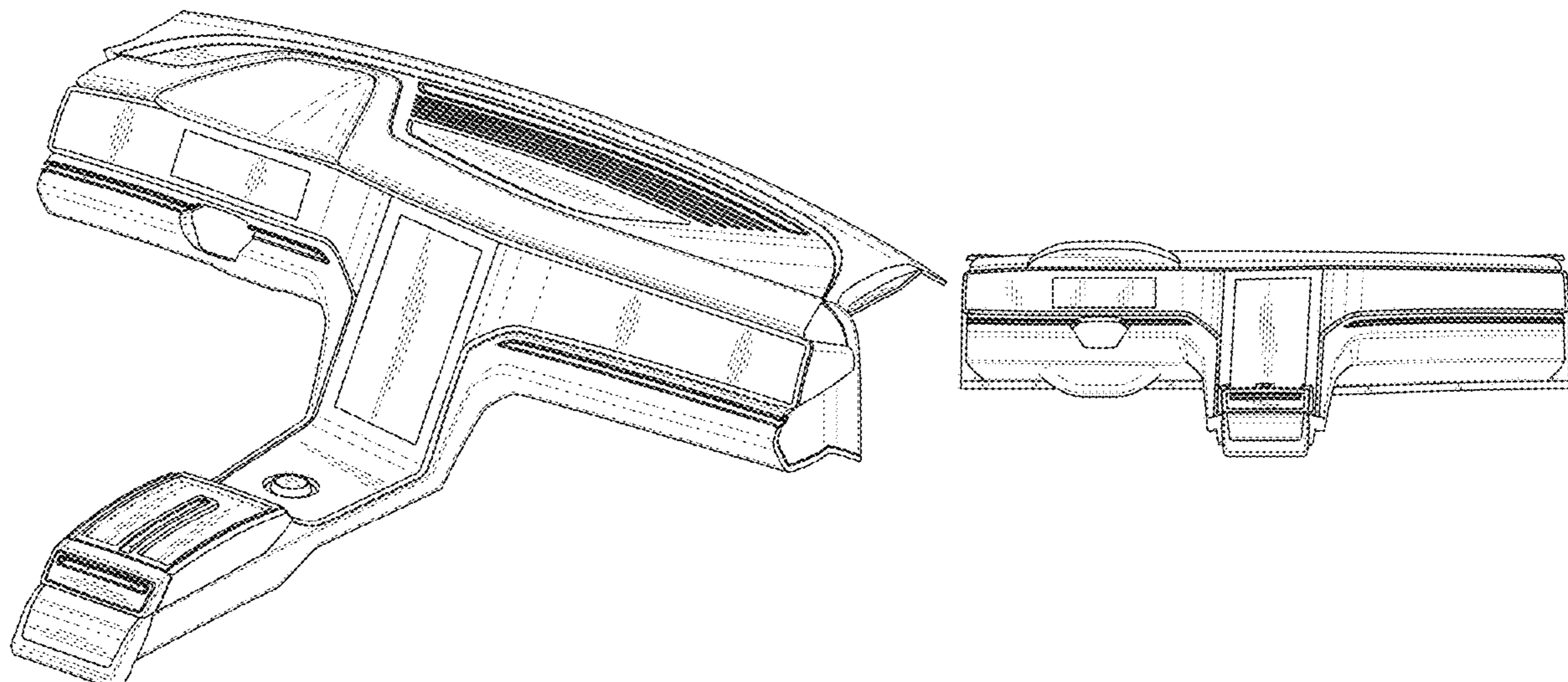
(57) **CLAIM**

The ornamental design for an automobile dashboard and console, as shown and described.

DESCRIPTION

FIG. 1 is a perspective view of an automobile dashboard and console, showing our new design;
FIG. 2 is a top plan view thereof;
FIG. 3 is a front elevation view thereof;
FIG. 4 is a left side elevation view thereof; and,
FIG. 5 is a right side elevation view thereof.
The broken lines show portions of the automobile dashboard and console that form no part of the claimed design.

1 Claim, 5 Drawing Sheets



(56)

References Cited

U.S. PATENT DOCUMENTS

D704,610	S	*	5/2014	Mizuhata	D12/192
D718,200	S	*	11/2014	Arnaout	D12/192
D721,997	S	*	2/2015	Hedge	D12/192
D727,231	S	*	4/2015	Narita	D12/192
D762,152	S	*	7/2016	Inagaki	D12/192
D771,541	S	*	11/2016	Shouno	D12/192
D788,666	S	*	6/2017	Yamamoto	D12/192
D795,145	S	*	8/2017	Miyashita	D12/192
D795,146	S	*	8/2017	Ogawa	D12/192
D801,245	S	*	10/2017	Giolito	D12/192
D804,380	S	*	12/2017	Nakai	D12/192
D808,873	S	*	1/2018	Joyce	D12/192
D819,533	S	*	6/2018	Choi	D12/192
D826,813	S	*	8/2018	Carr	D12/192
D828,259	S	*	9/2018	Takagi	D12/192
D835,567	S	*	12/2018	Gaudreau	D12/415
D840,325	S	*	2/2019	Sandys	D12/415
D843,288	S	*	3/2019	Fontaeus	D12/192
D844,516	S	*	4/2019	Yu	D12/192
D847,056	S	*	4/2019	Myoi	D12/192
D864,066	S	*	10/2019	Ray	D12/192

OTHER PUBLICATIONS

2013 Automobile of the Year: Tesla Model S, David Zenlea—writer; A.J. Mueller—photographer | Jan. 1, 2013, [online], [site visited Nov. 1, 2019]. <URL: <https://www.automobilemag.com/news/2013-automobile-of-the-year-tesla-model-s/>> (Year: 2013).*

Automakers retool marketing machine as they go electric, Sfgate.com, by Jack Ewing, Updated 6:40 pm PDT, Monday, Mar. 11, 2019, [online], [site visited Nov. 1, 2019]. <URL: <https://www.sfgate.com/business/article/Automakers-retool-marketing-machines-as-they-go-13680231.php#ph>> (Year: 2019).*

* cited by examiner

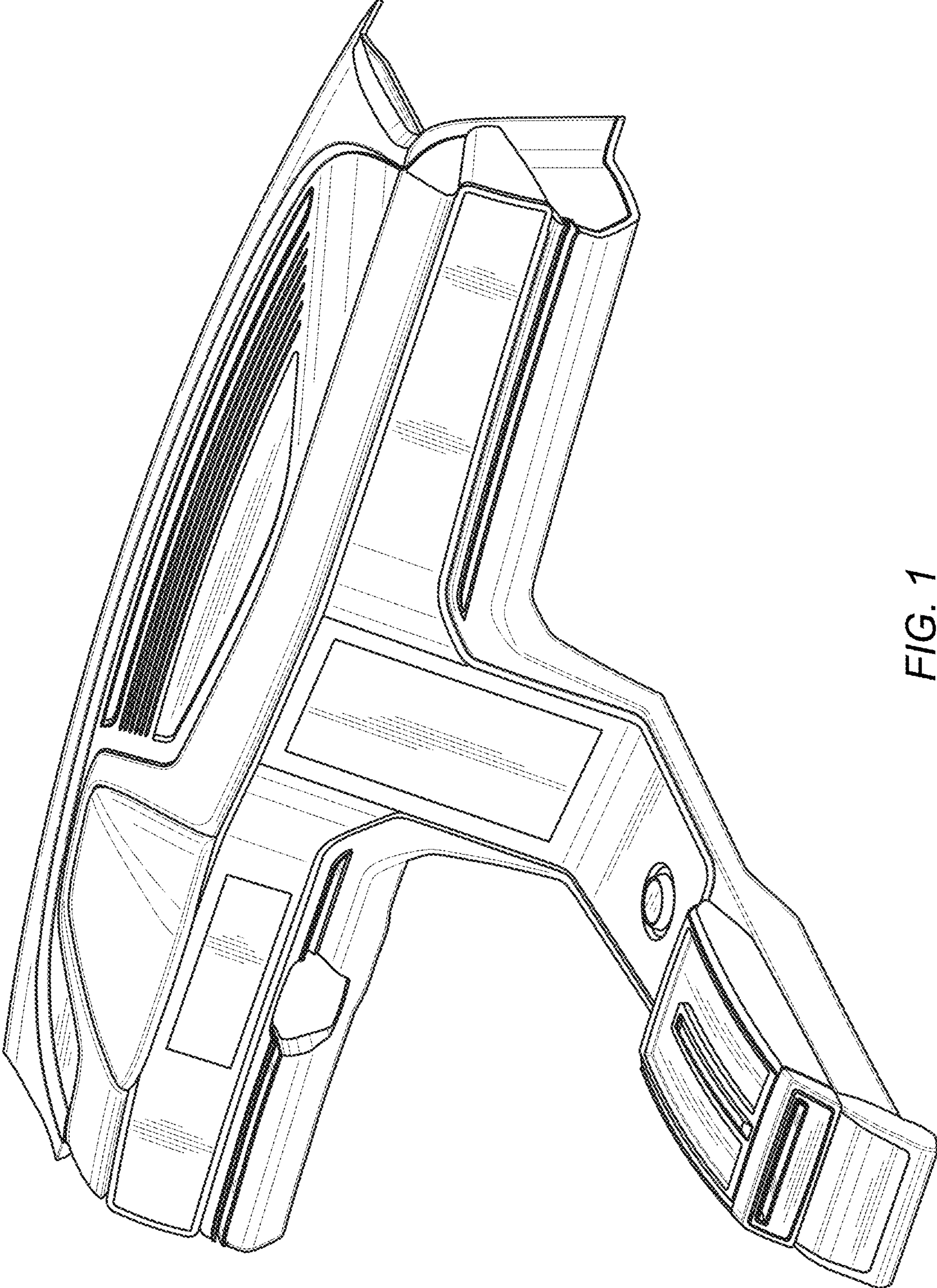


FIG. 1

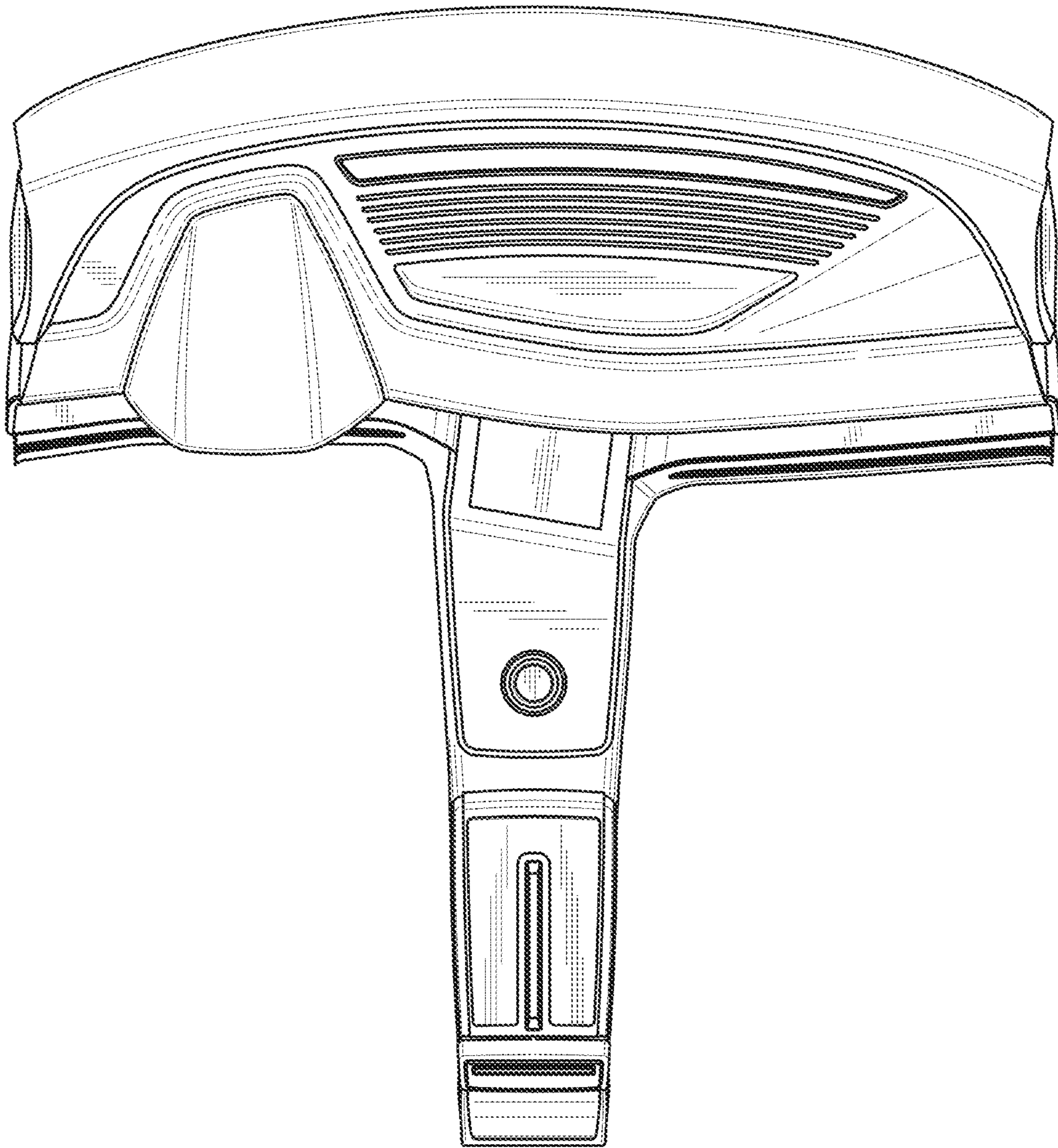


FIG. 2

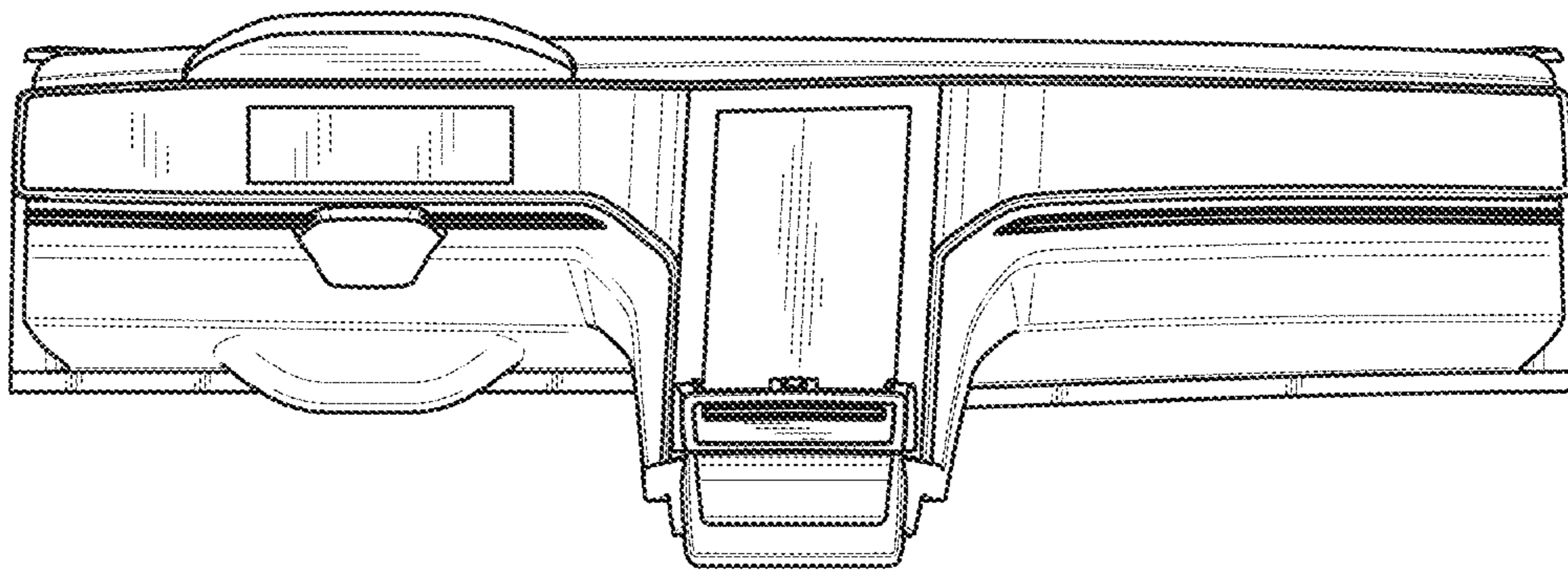


FIG. 3

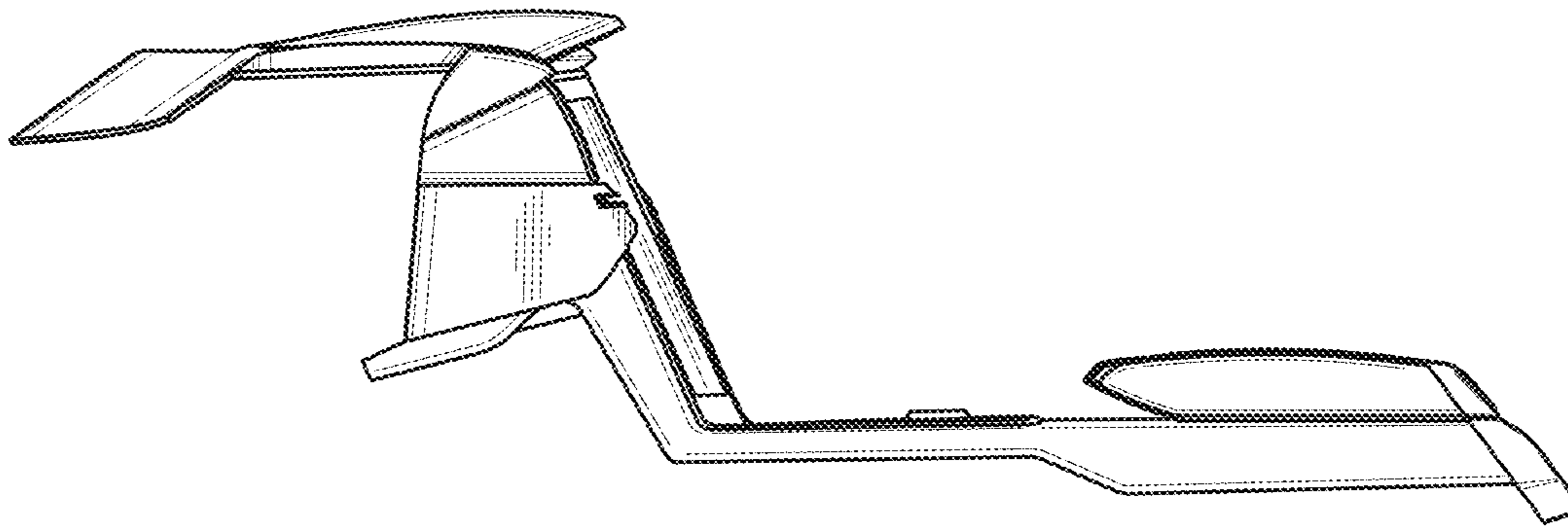


FIG. 4

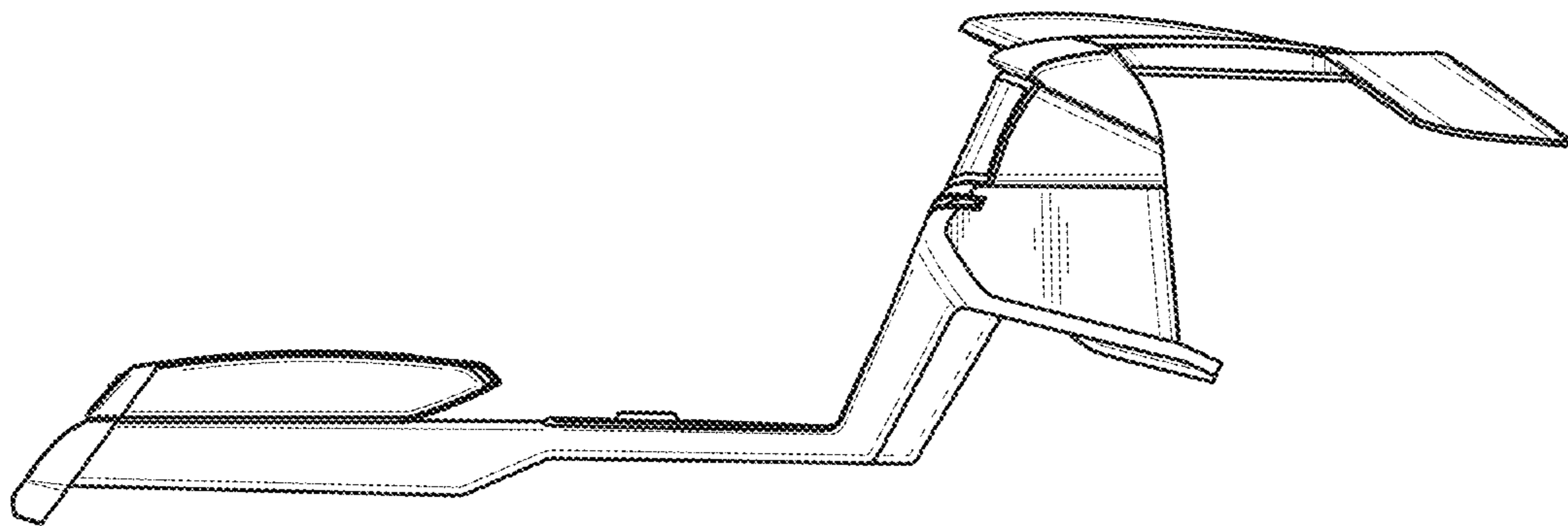


FIG. 5