



US00D889377S

(12) **United States Design Patent**
Ellenwood

(10) **Patent No.:** **US D889,377 S**
(45) **Date of Patent:** **** Jul. 7, 2020**

- (54) **CONNECTOR FOR VEHICLE HAIRPIN RADIUS RODS**
- (71) Applicant: **James Ellenwood**, Rapid City, SD (US)
- (72) Inventor: **James Ellenwood**, Rapid City, SD (US)
- (**) Term: **15 Years**
- (21) Appl. No.: **29/664,419**
- (22) Filed: **Sep. 25, 2018**
- (51) **LOC (12) Cl.** **12-16**
- (52) **U.S. Cl.**
USPC **D12/223; D8/382**
- (58) **Field of Classification Search**
USPC D8/349, 354, 382; D12/106, 114, 117,
D12/118, 400, 159, 160, 223
CPC B60G 9/027; B60G 9/003; B60G 9/02;
B60G 9/04; B60G 7/00; B60G 7/001;
B60G 7/003; B60G 7/005; B60G
2200/1442; B60G 2200/343; B60G
2200/344; B60G 2204/41043; B60G
2204/41044; B60G 2206/11; B62D 19/00;
F16B 7/0413; F16B 7/042
See application file for complete search history.

(56) **References Cited**

U.S. PATENT DOCUMENTS

- 1,362,681 A * 12/1920 Curry B60G 9/027
267/66
- 1,366,354 A * 1/1921 Bosley B60G 9/027
267/66
- 1,376,058 A * 4/1921 Watson B60G 7/00
267/66
- 1,398,820 A * 11/1921 Wagner B60G 7/00
267/66
- 1,437,562 A * 12/1922 Lauren B60G 9/027
267/66
- 1,491,658 A * 4/1924 Barrett B60G 7/00
267/66

- 1,506,470 A * 8/1924 Whitcomb B60G 9/027
180/345
- 1,558,218 A * 10/1925 Baldwin B60G 7/005
267/66
- 1,573,782 A * 2/1926 Portis B60G 7/00
267/66

(Continued)

Primary Examiner — Sandra S Snapp
Assistant Examiner — Ieisha N Price
(74) *Attorney, Agent, or Firm* — Gordon Rees Scully
Mansukhani LLP; David R. Heckadon

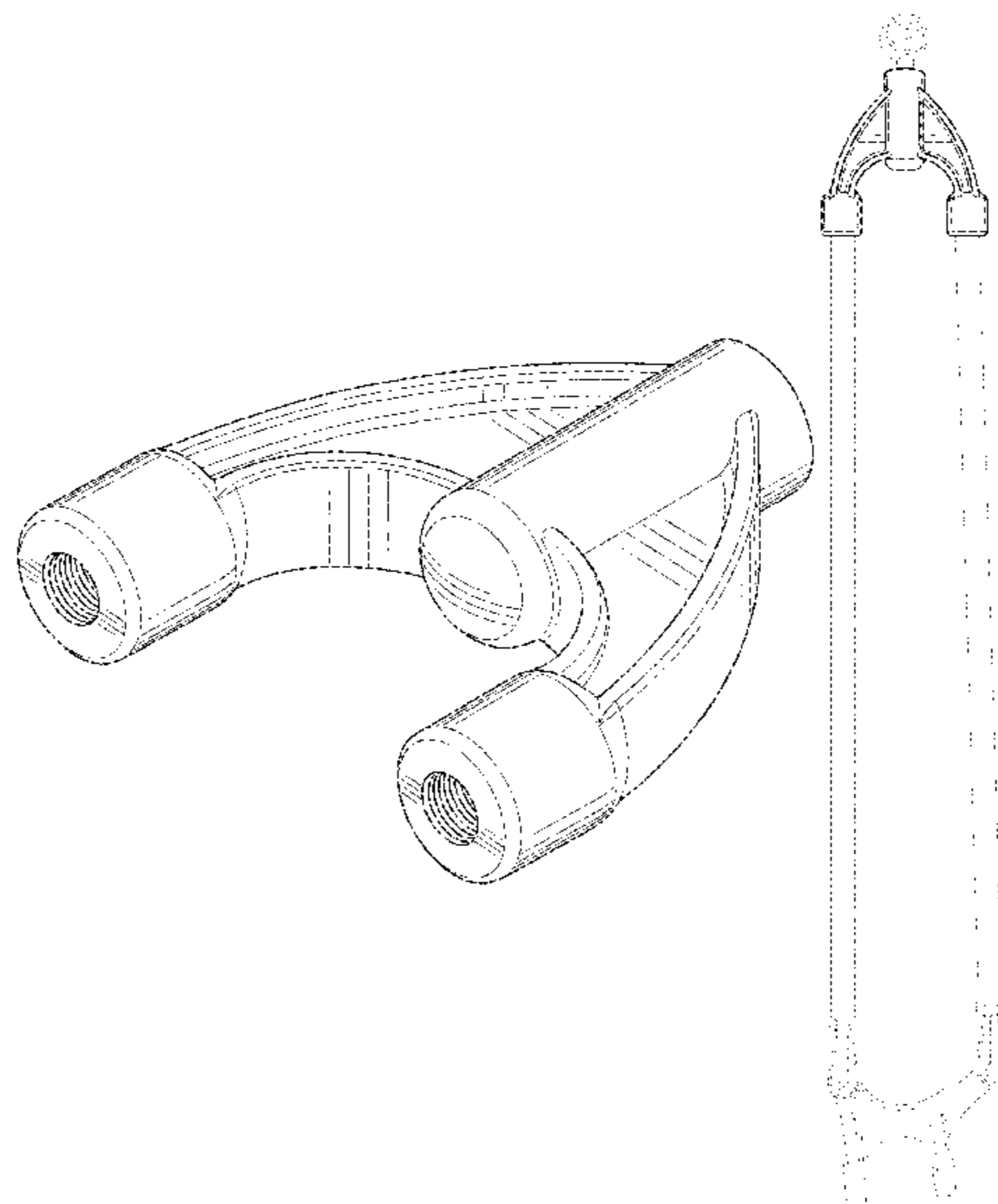
(57) **CLAIM**

I claim the ornamental design of a connector for vehicle hairpin radius rods, as shown and described.

DESCRIPTION

FIG. 1 is a perspective view of a connector for vehicle hairpin radius rods.
FIG. 2 is a rear elevation view of the connector for vehicle hairpin radius rods.
FIG. 3 is a front elevation view of the connector for vehicle hairpin radius rods.
FIG. 4 is a left side elevation view of the connector for vehicle hairpin radius rods.
FIG. 5 is a right side elevation view of the connector for vehicle hairpin radius rods.
FIG. 6 is a top plan view of the connector for vehicle hairpin radius rods.
FIG. 7 is a bottom plan view of the connector for vehicle hairpin radius rods; and,
FIG. 8 is a top plan view of the connector for vehicle hairpin radius rods.
The broken lines rendered in FIG. 3 of the drawings illustrate portions of the connector for vehicle hairpin radius rods and form no part of the claimed design. The broken line showing of the vehicle hairpin radius rod in FIG. 8 illustrates the environment of the claimed design and forms no part thereof.

1 Claim, 8 Drawing Sheets



(56)

References Cited

U.S. PATENT DOCUMENTS

1,586,152 A * 5/1926 Hucker B60G 7/00
267/66
1,591,402 A * 7/1926 Pate B60G 7/005
267/66
1,598,482 A * 8/1926 Lance B60G 7/005
403/135
1,614,639 A * 1/1927 Earl B60G 7/00
267/66
1,616,548 A * 2/1927 Portis B60G 7/00
267/66
D86,005 S * 1/1932 Astrup D8/382
1,976,258 A * 10/1934 Hollingsworth F16C 11/0628
403/132
D285,649 S * 9/1986 Kobee D21/503
5,037,127 A * 8/1991 Lin B60G 3/18
280/124.135
5,364,121 A * 11/1994 Lee B60G 21/051
280/124.164
D375,451 S * 11/1996 Ohkubo D8/323

D419,691 S * 1/2000 Fisher D25/61
D454,828 S * 3/2002 Alder D12/223
D485,159 S * 1/2004 Junkers D8/382
D545,753 S * 7/2007 Hu D12/223
D613,591 S * 4/2010 Lee D12/114
D723,441 S * 3/2015 Schwencke D12/194
D729,042 S * 5/2015 Guzzoni D8/349
D742,723 S * 11/2015 Oquendo D8/363
D763,670 S * 8/2016 Monsees D8/382
D790,416 S * 6/2017 Pritts D12/179
D804,933 S * 12/2017 Rock D8/349
D809,991 S * 2/2018 Giordano D12/223
D867,475 S * 11/2019 Ewing D21/561
2007/0164493 A1 * 7/2007 McLaughlin B60G 7/003
267/278
2008/0191441 A1 * 8/2008 Griffiths B60G 3/20
280/124.138
2014/0263509 A1 * 9/2014 Oquendo B62J 11/00
224/447
2016/0090752 A1 * 3/2016 McCann E05B 19/0011
70/383
2019/0255900 A1 * 8/2019 Keiserman B60G 17/005

* cited by examiner

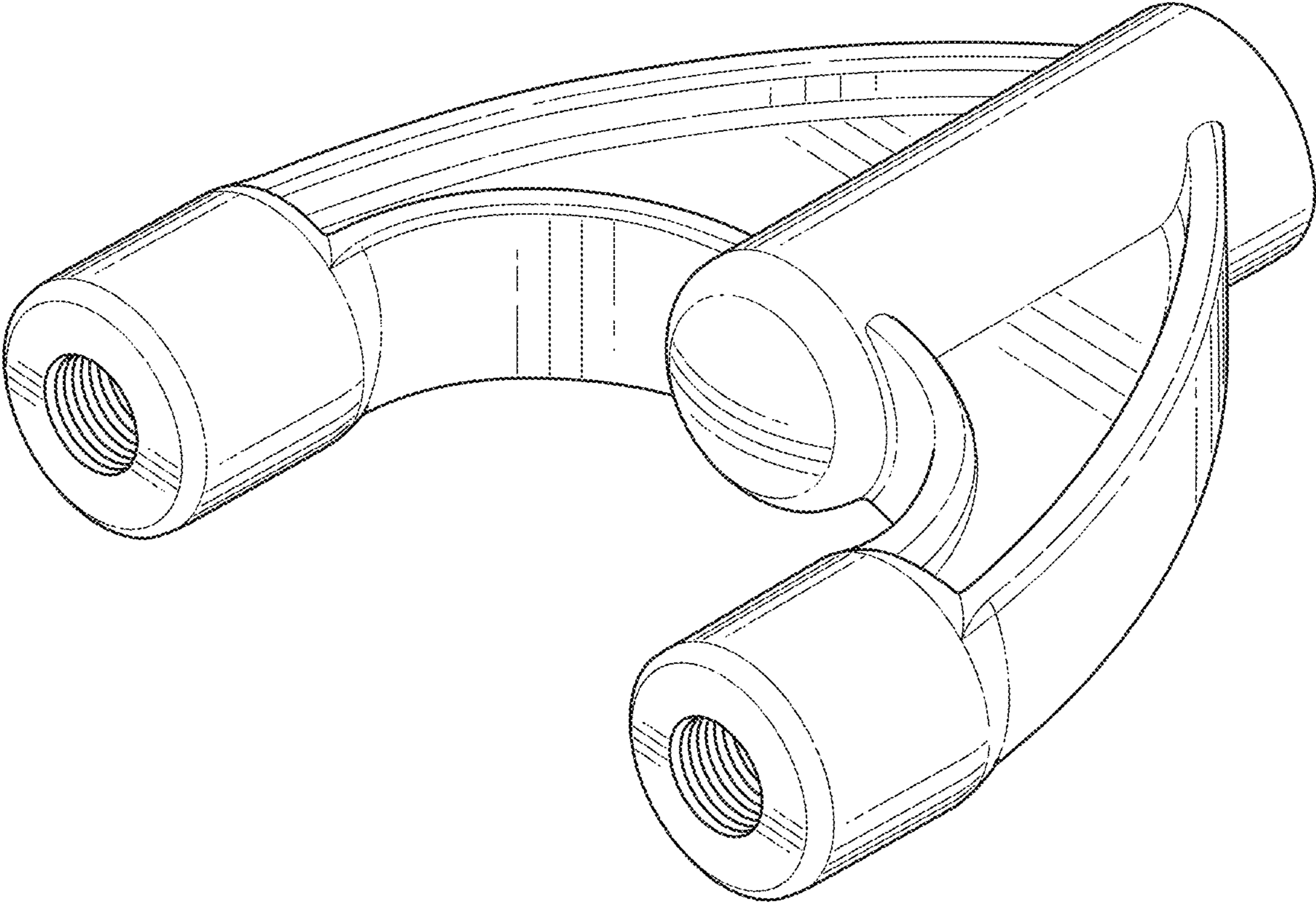


FIG. 1

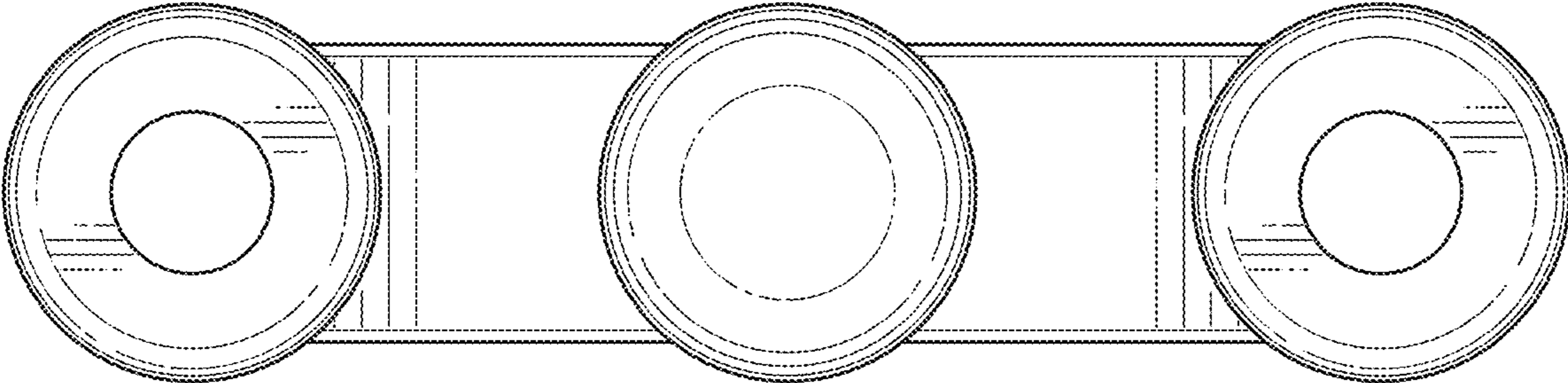


FIG. 2

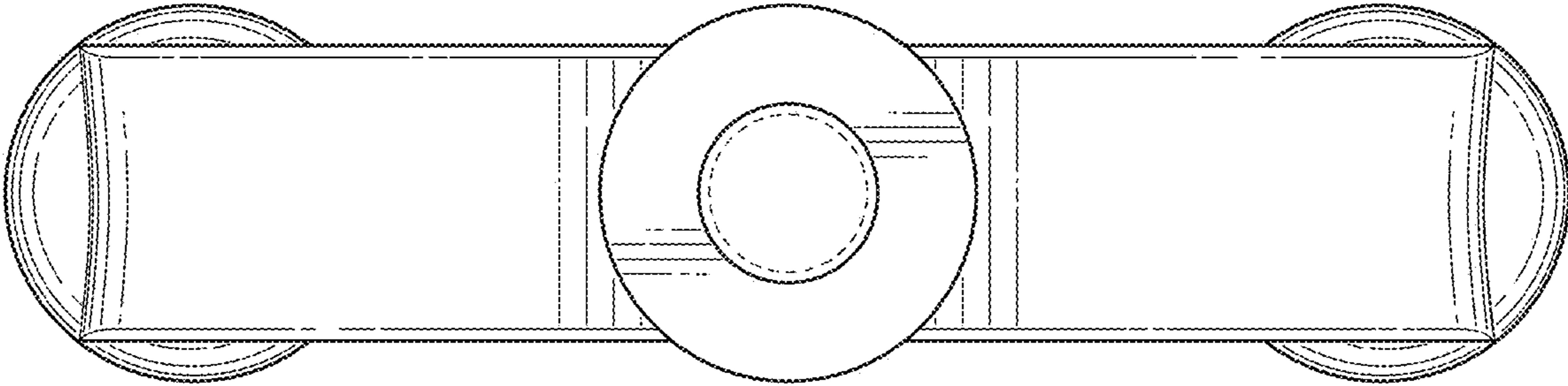


FIG. 3

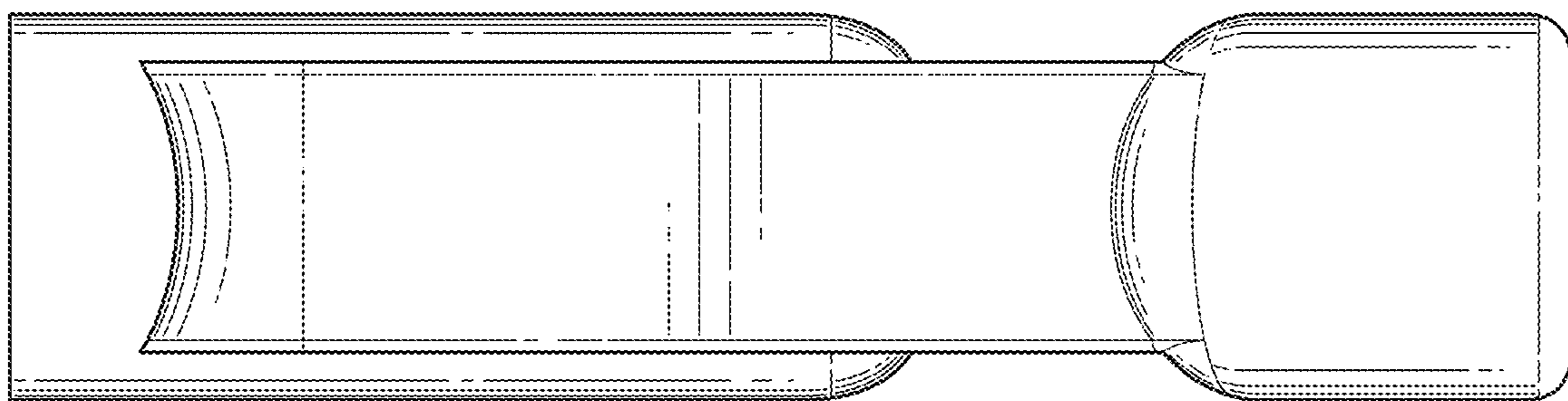


FIG. 4

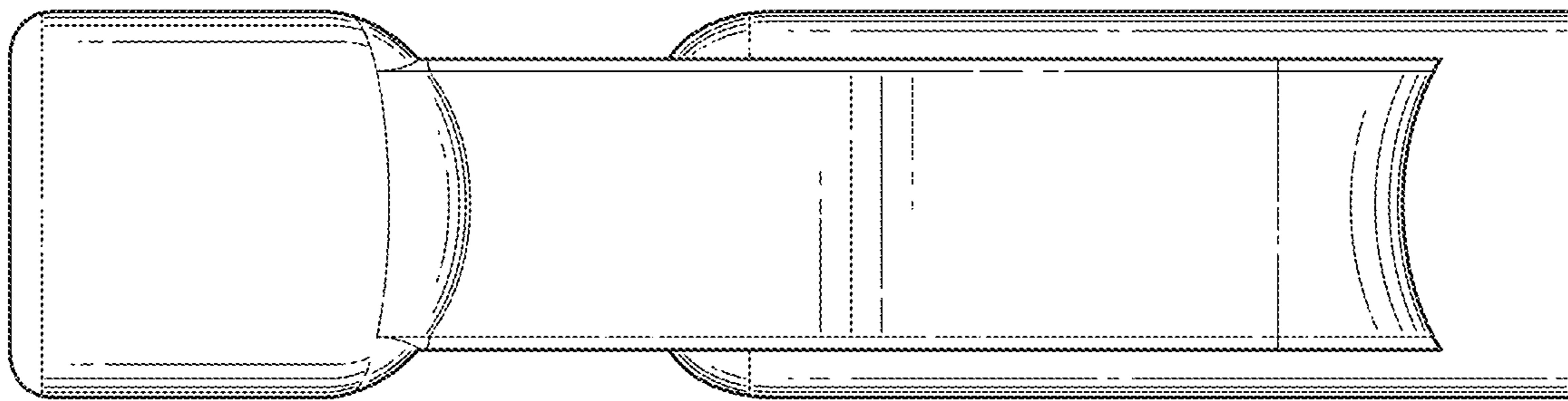


FIG. 5

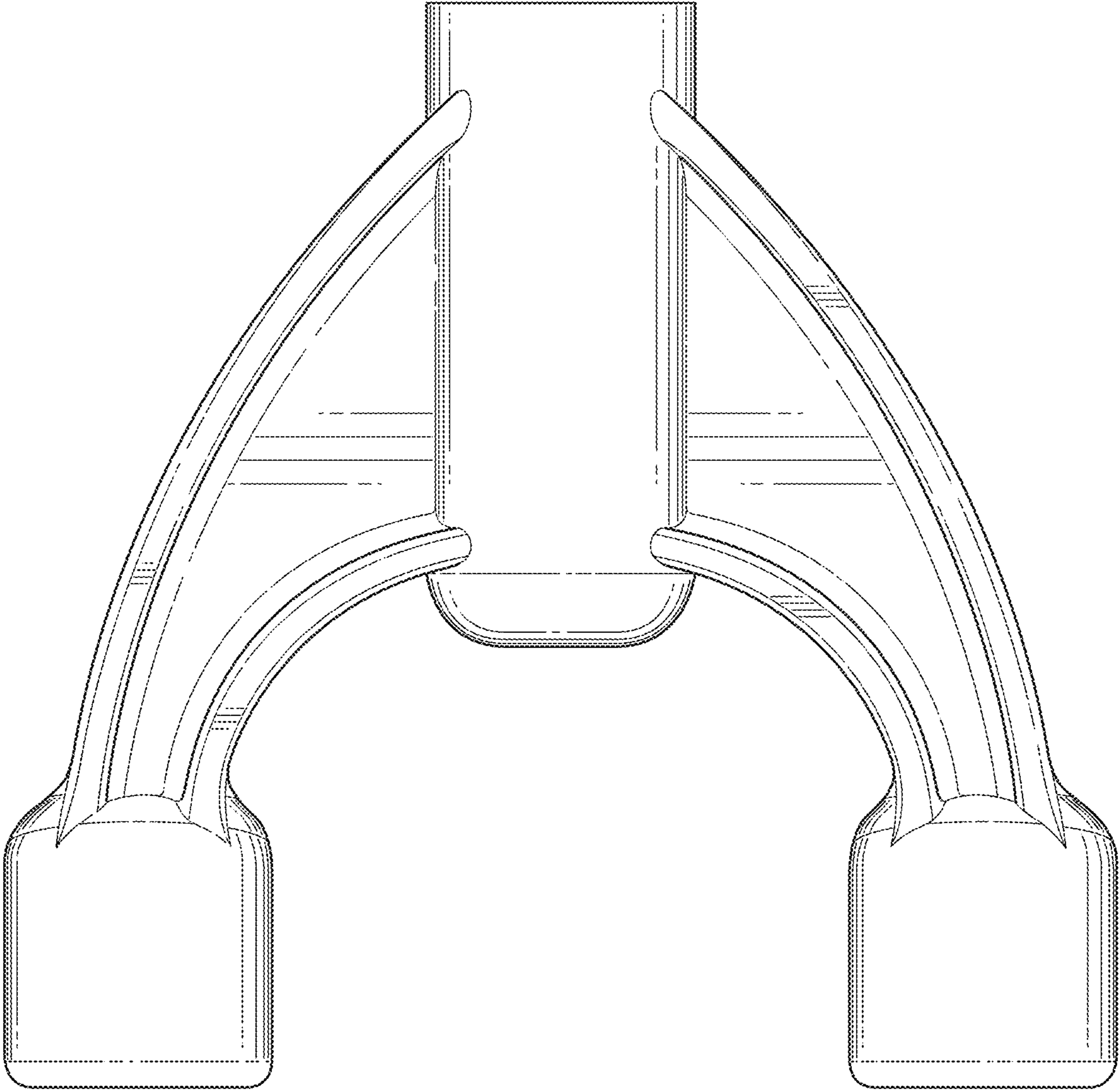


FIG. 6

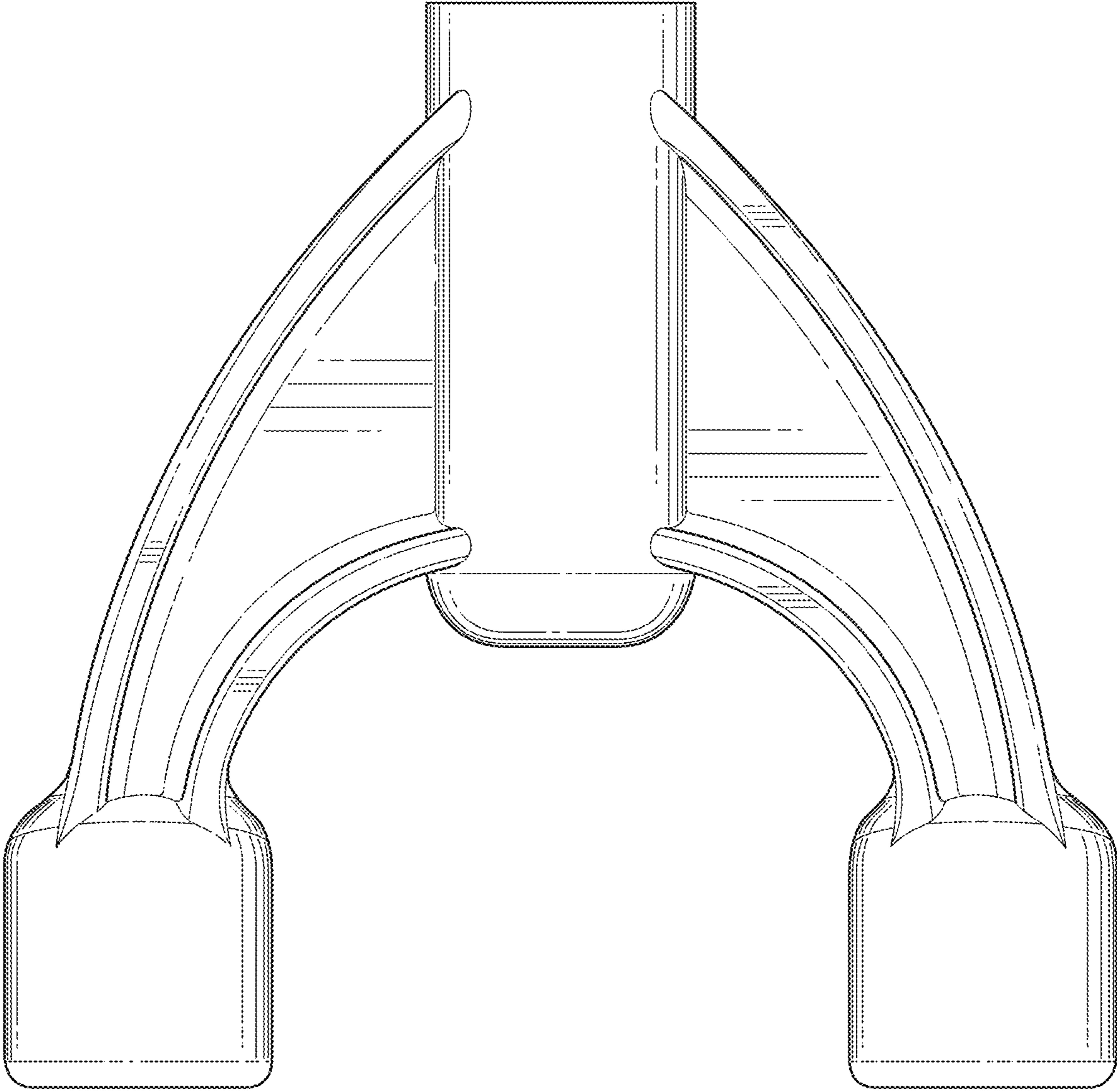


FIG. 7

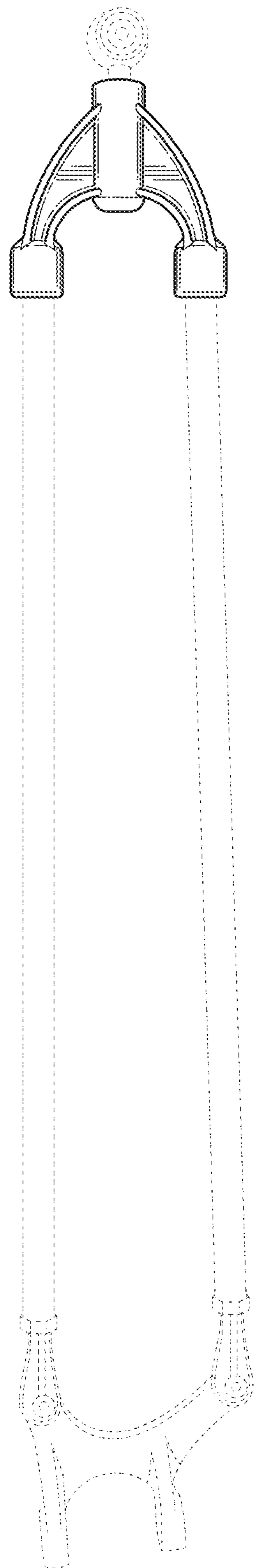


FIG. 8