



US00D889375S

(12) **United States Design Patent**
Prasad et al.

(10) **Patent No.:** **US D889,375 S**
(45) **Date of Patent:** **** Jul. 7, 2020**

(54) **WHEEL FLANGE**

FOREIGN PATENT DOCUMENTS

- (71) Applicant: **ARCONIC INC.**, Pittsburgh, PA (US)
- (72) Inventors: **Santosh Prasad**, Murrysville, PA (US);
James T. Burg, Verona, PA (US);
Gabriele F. Ciccola, Hudson, OH (US);
Grant DeGeorge, Strongsville, OH (US);
Michael A. Pacek, Freeport, PA (US);
Erin Fulton, Irwin, PA (US);
Anton J. Rovito, Parma, OH (US);
Courtney Carraher, Bay Village, OH (US);
Christopher A. Au, Hinckley, OH (US);
Henry Sklyut, Delmont, PA (US)
- (73) Assignee: **Howmet Aerospace Inc.**, Pittsburgh, PA (US)

AU	351933	11/2013
AU	351934	11/2013

(Continued)

OTHER PUBLICATIONS

Wheel at <http://www.ntda.org/ntda/News/tabid/59/post/east-announces-alcoa-s-ultra-one-wheel-as-standard-on-all-east-trailers/Default.aspx> , published on Feb. 4, 2014.

(Continued)

Primary Examiner — Stacia A Cadmus

(74) *Attorney, Agent, or Firm* — Greenberg Traurig, LLP

(**) Term: **15 Years**

(57) **CLAIM**

The ornamental design for a wheel flange, as shown and described.

(21) Appl. No.: **29/631,442**

DESCRIPTION

(22) Filed: **Dec. 29, 2017**

(51) **LOC (12) Cl.** **12-16**

(52) **U.S. Cl.**
USPC **D12/213**

(58) **Field of Classification Search**
USPC D12/204–213
CPC B60B 7/00; B60B 7/02; B60B 7/04; B60B 7/01; B60B 3/02; B60B 3/04; B60B 3/06; B60B 3/10; B60B 1/00; B60B 1/08; B60B 1/10; B60B 1/12
See application file for complete search history.

FIG. 1 is a front perspective view of a wheel flange showing our new design;
FIG. 2 is a rear perspective view thereof;
FIG. 3 is a front view thereof;
FIG. 4 is a rear view thereof;
FIG. 5 is a side view thereof;
FIG. 6 is a top view thereof;
FIG. 7 is a bottom view thereof;
FIG. 8 is a cross-sectional view thereof taken along line 8-8 in FIG. 5;
FIG. 9 is a cross-sectional view thereof taken along line 9-9 in FIG. 6;
FIG. 10 is an enlarged view of a portion of the wheel flange indicated by area 10 in FIG. 1; and
FIG. 11 is an enlarged view of a portion of the wheel flange indicated by area 11 in FIG. 2.
In the drawings the broken lines depict environmental subject matter and form no part of the claimed design.

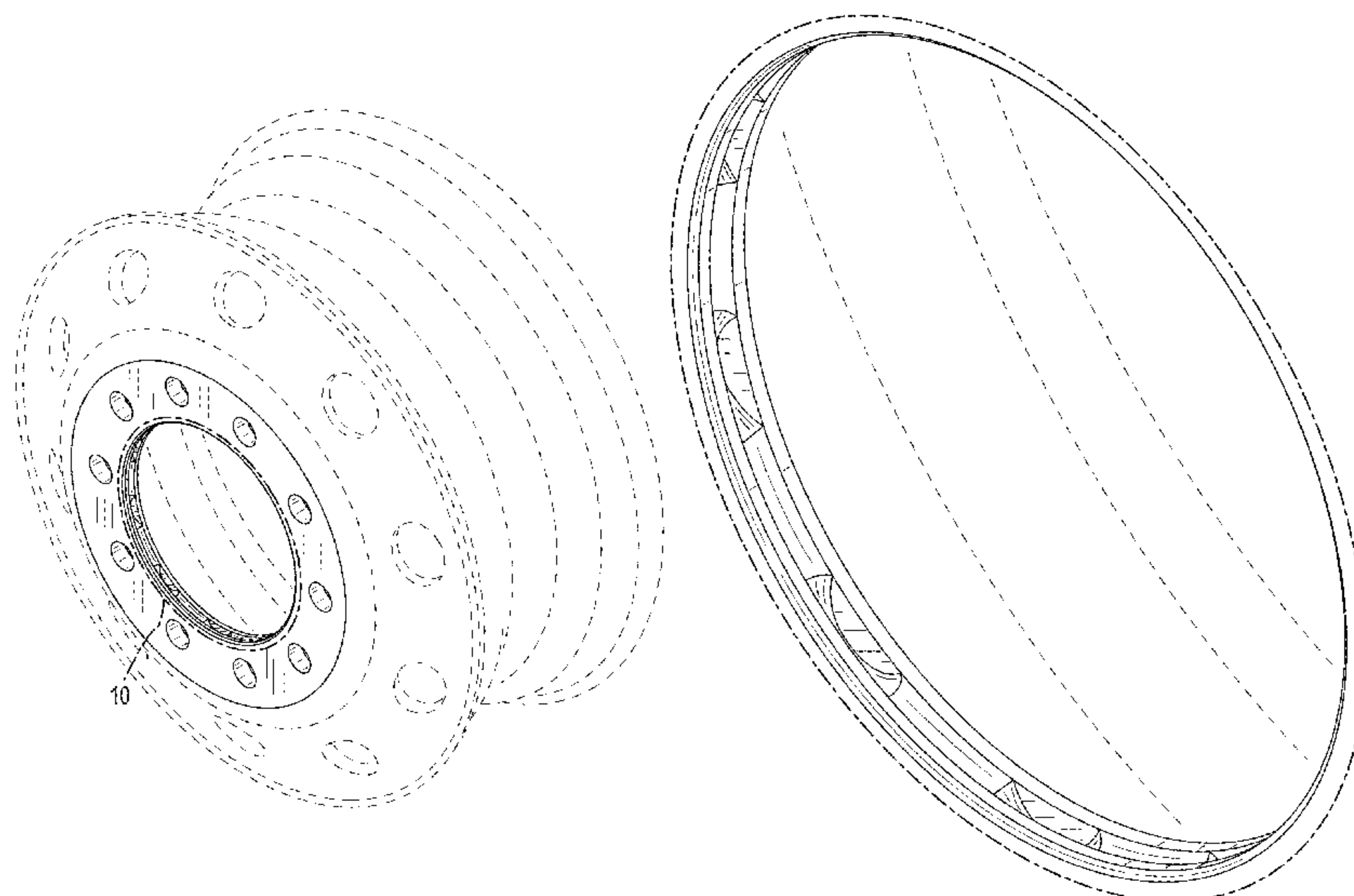
(56) **References Cited**

U.S. PATENT DOCUMENTS

- | | | |
|-------------|--------|-----------|
| 3,302,275 A | 2/1967 | Turpin |
| D284,753 S | 7/1986 | Hedlund |
| D327,466 S | 6/1992 | Lipper |
| D358,797 S | 5/1995 | Botterman |

(Continued)

1 Claim, 11 Drawing Sheets



(56)

References Cited

U.S. PATENT DOCUMENTS

D492,923 S 7/2004 Whitehead
 D504,378 S 4/2005 Grossenbacher et al.
 D519,433 S 4/2006 Finn
 D527,324 S 8/2006 Whitehead
 D598,835 S 8/2009 DeGeorge
 9,032,600 B2 5/2015 Pulphus
 D773,974 S 12/2016 DeGeorge et al.
 9,604,498 B2 * 3/2017 Zehnder B60B 3/02
 D810,645 S * 2/2018 Sklyut D12/204
 D811,977 S * 3/2018 Ocroft D12/210
 D829,152 S * 9/2018 Caldwell D12/209
 D830,929 S * 10/2018 Sklyut D12/204
 D834,482 S * 11/2018 Zehnder D12/204
 D836,056 S * 12/2018 Prasad D12/209
 D836,057 S * 12/2018 Prasad D12/209
 D836,522 S * 12/2018 Prasad D12/209
 D837,120 S * 1/2019 Caldwell D12/209
 D853,927 S * 7/2019 Sklyut D12/204

FOREIGN PATENT DOCUMENTS

CA 104173 1/2005

CA 167267 2/2017
 JP 2009-051248 3/2009
 JP 1540615 12/2015

OTHER PUBLICATIONS

Wheel at <https://worldindustrialreporter.com/alcoa-develops-new-dura-bright-evo-wheel-with-enhanced-durability-and-easy-maintenance/>, published on Jan. 27, 2014.
 Wheel at <http://www.moderntiredealer.com/news/399994/accuride-wheels-aim-to-reduce-flange-wear>, published on Jun. 9, 2014.
 Commonly owned Design U.S. Appl. No. 29/631,444, filed Dec. 29, 2017, entitled "Wheel Having Internal Groove".
 Commonly owned Design U.S. Appl. No. 29/631,455, filed Dec. 29, 2017, entitled "Ribbed Wheel".
 Commonly owned Design U.S. Appl. No. 29/631,467, filed Dec. 29, 2017 entitled "Ribbed Wheel".
 Commonly owned Design U.S. Appl. No. 29/631,449, filed Dec. 29, 2017, entitled "Ribbed Wheel".

* cited by examiner

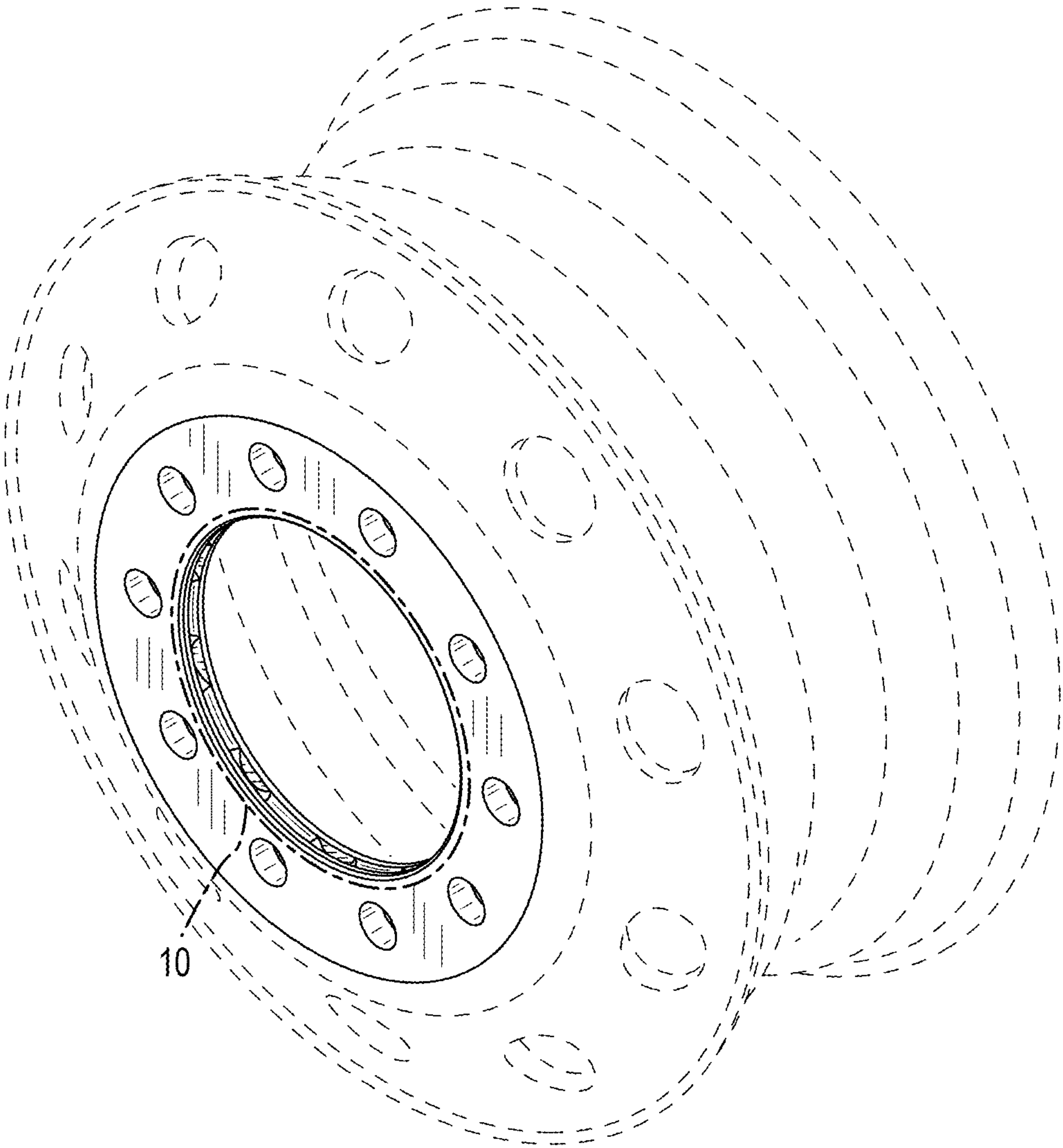


FIG.1

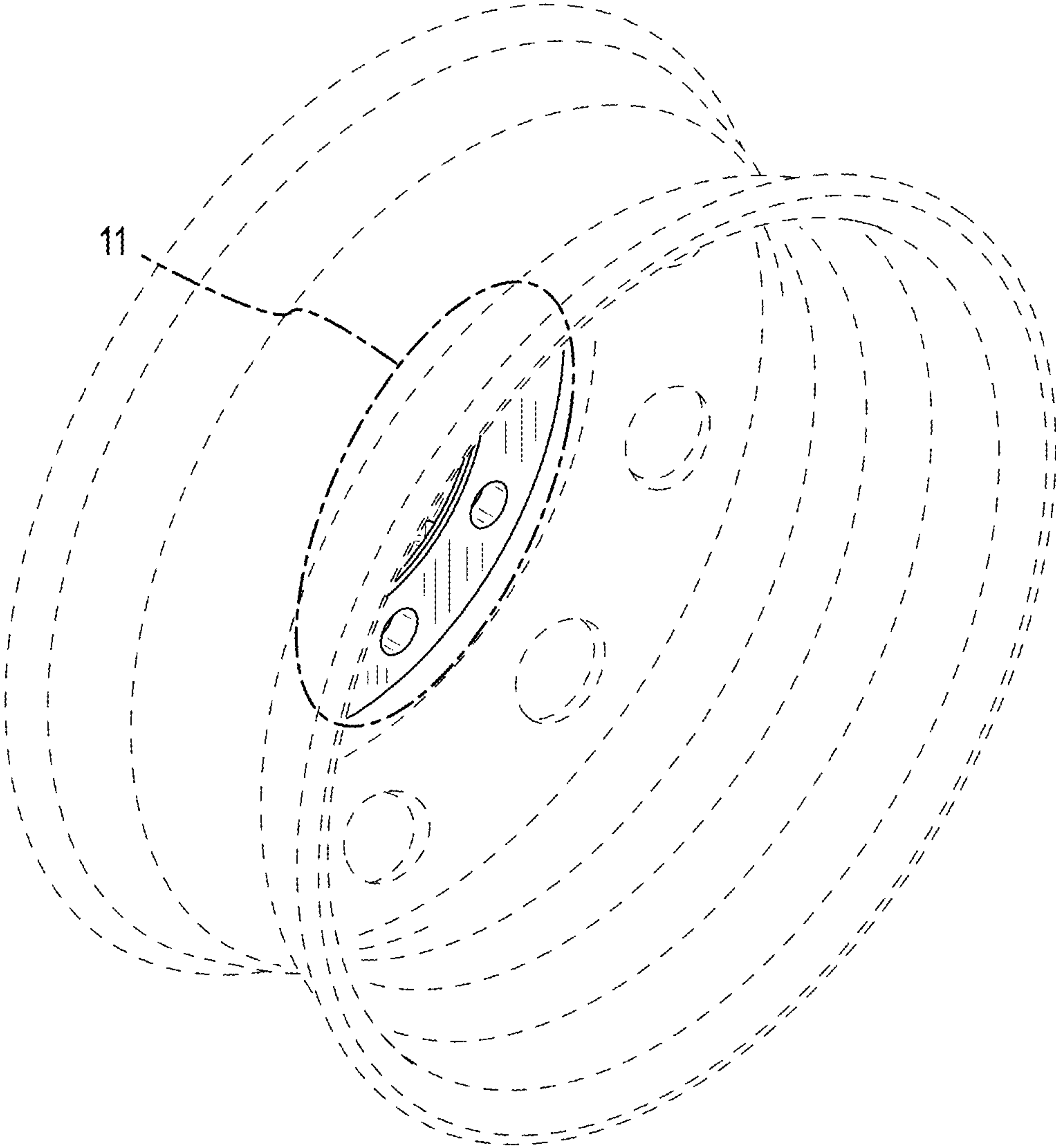


FIG.2

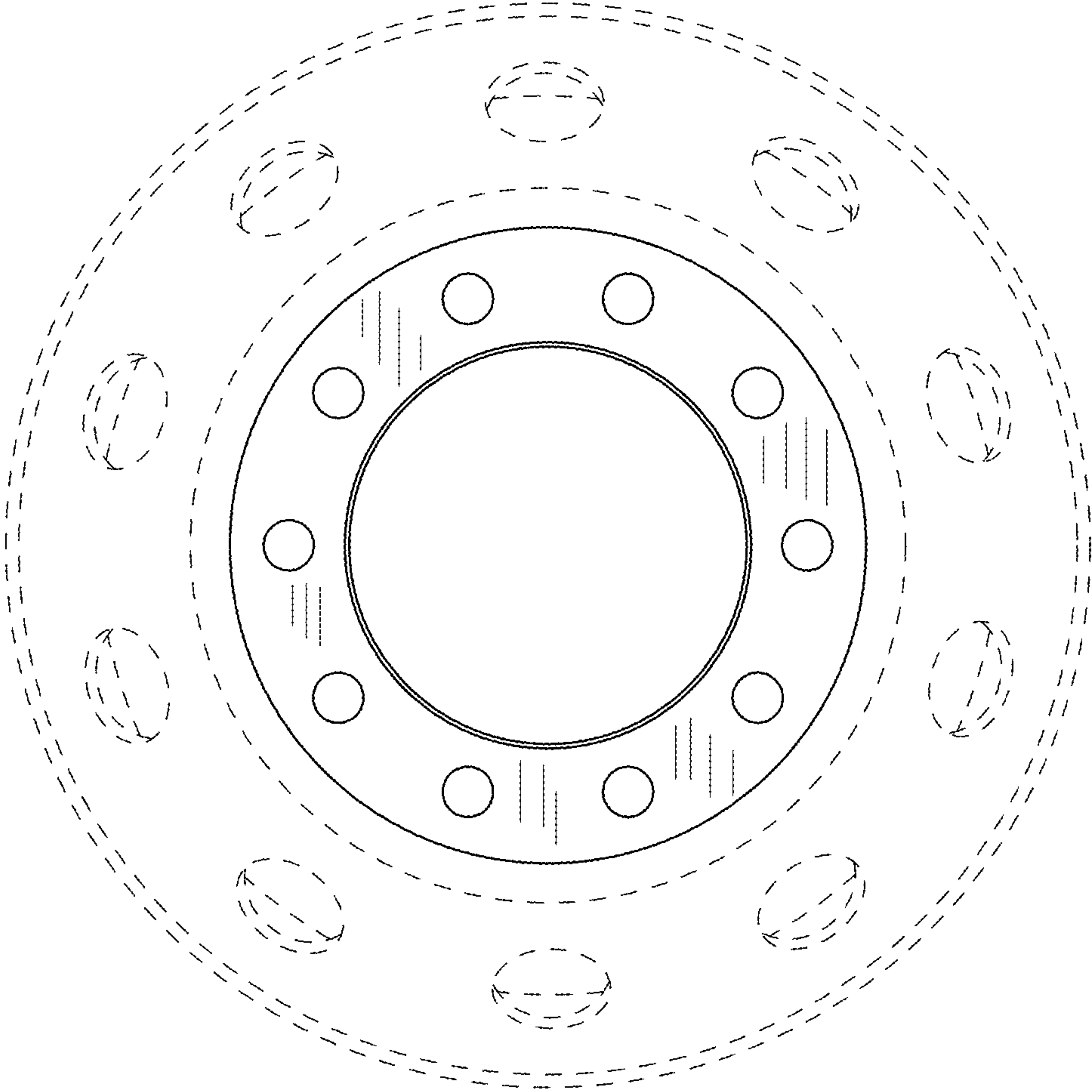


FIG.3

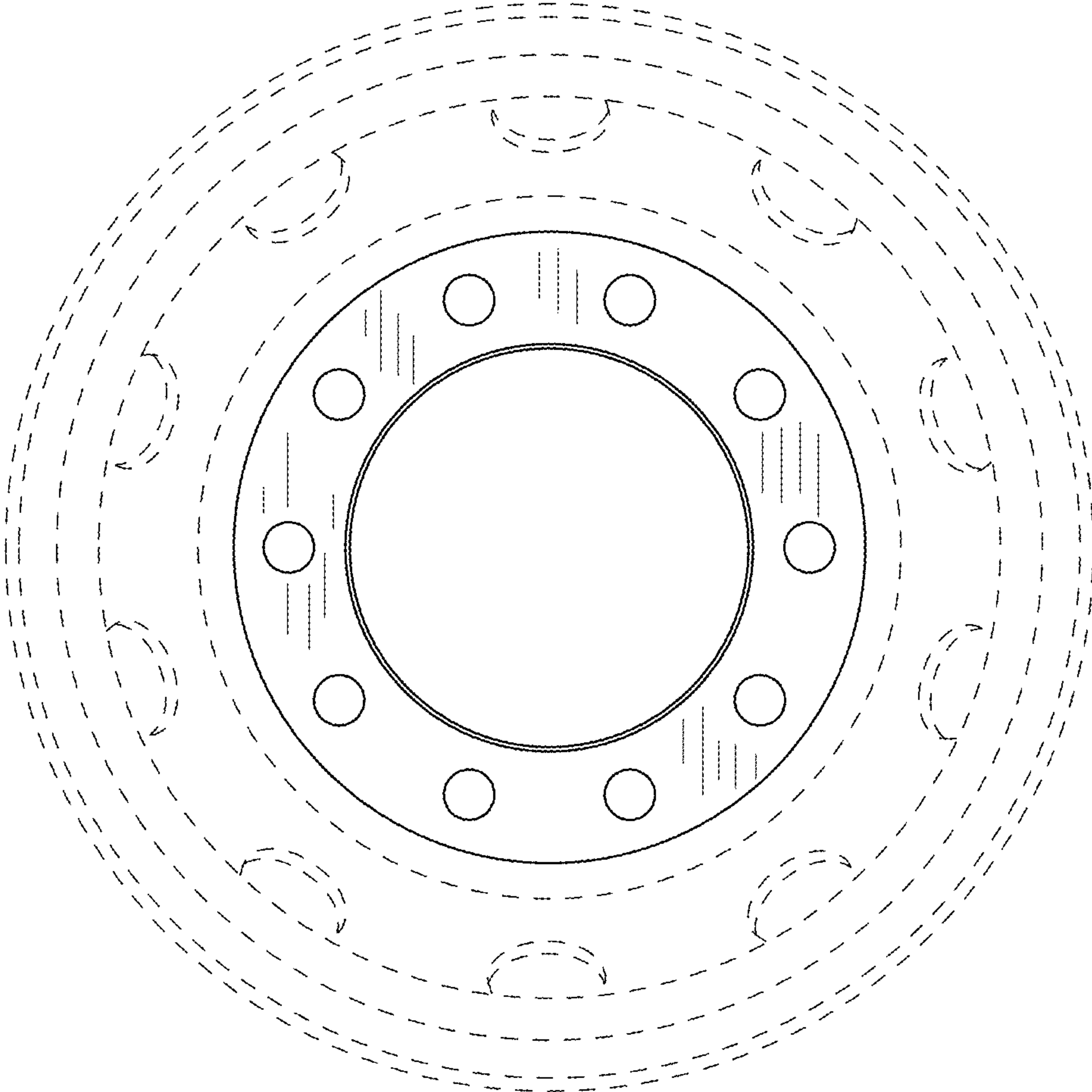


FIG.4

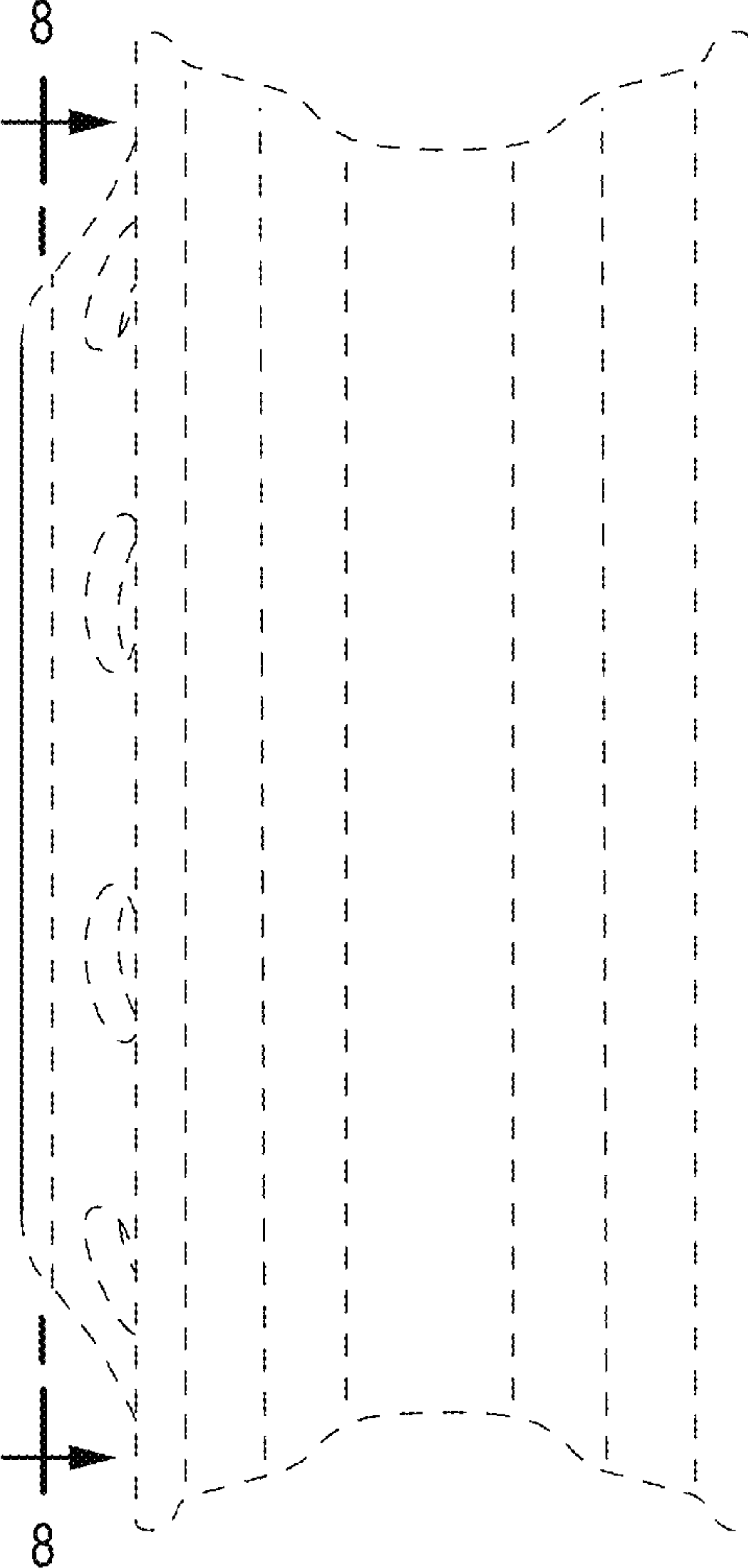


FIG.5

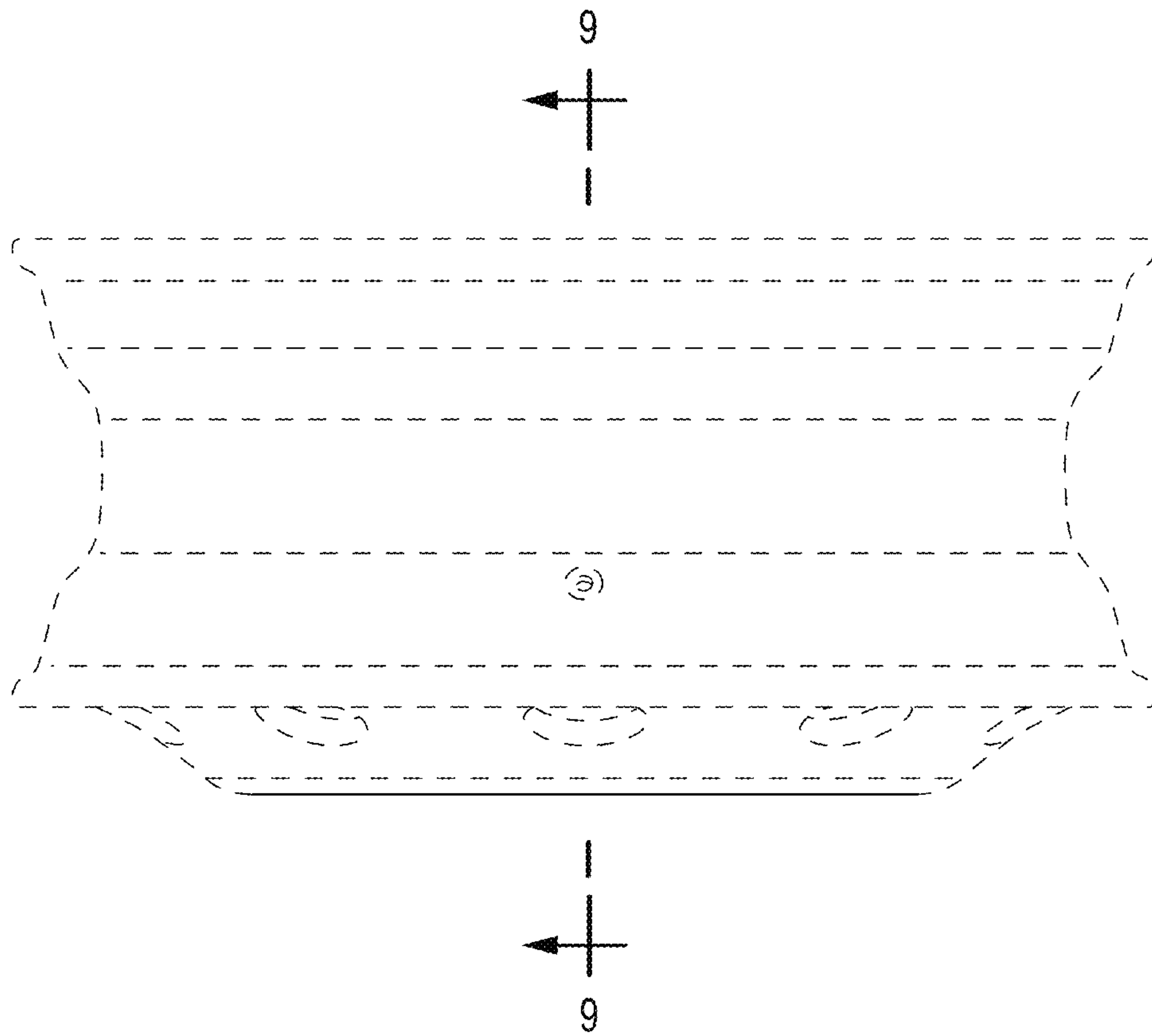


FIG.6

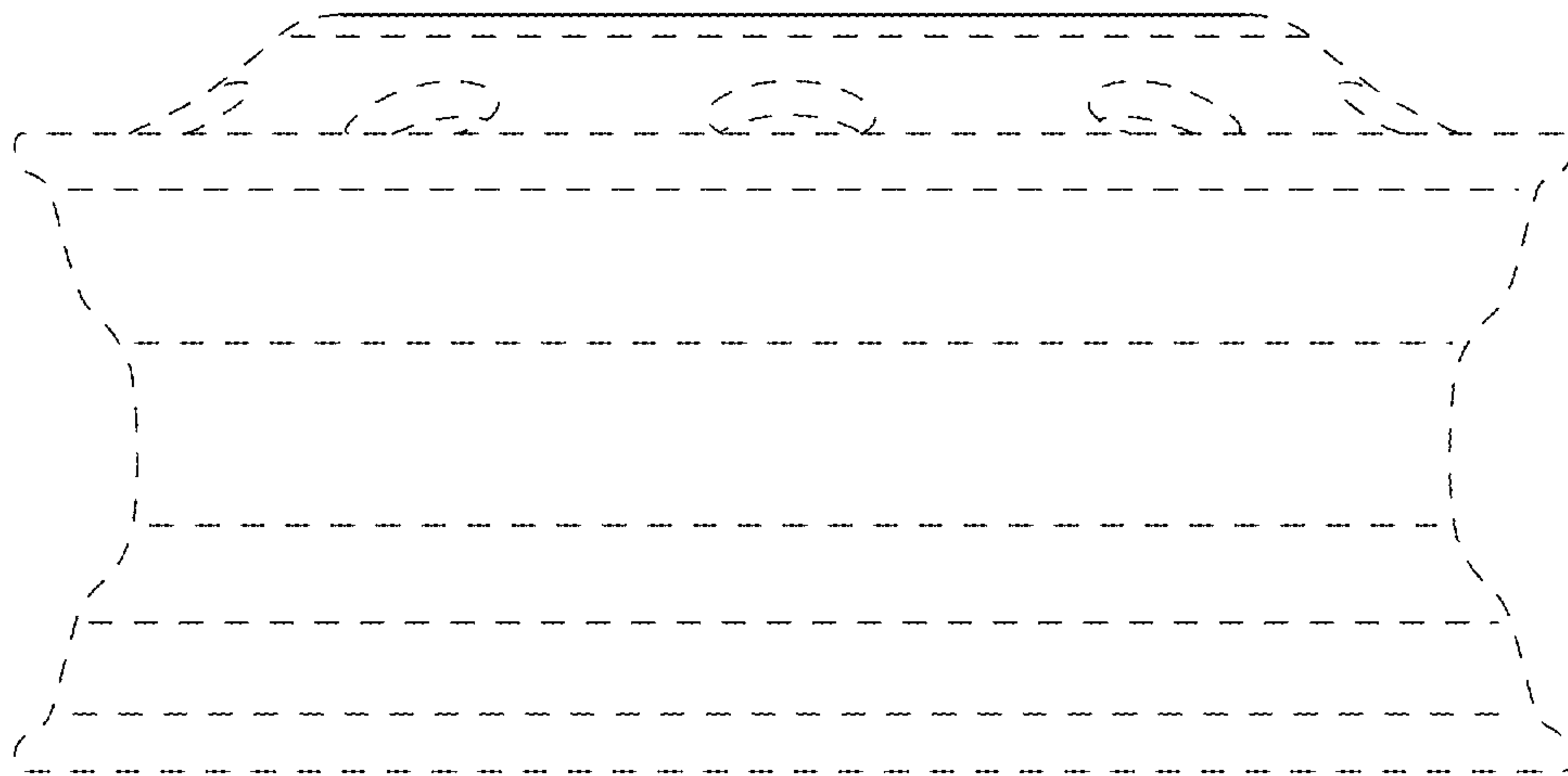


FIG.7

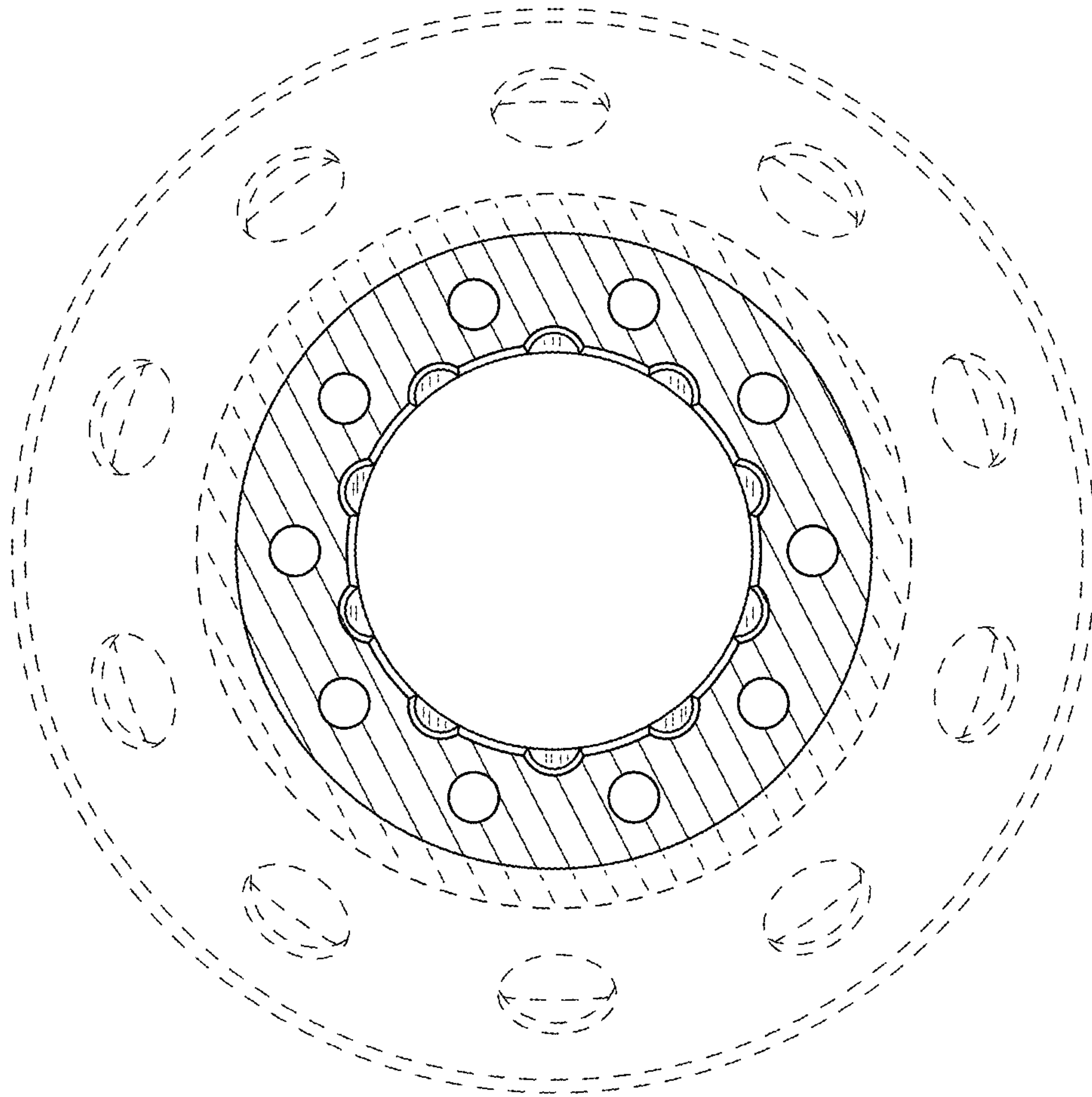


FIG.8

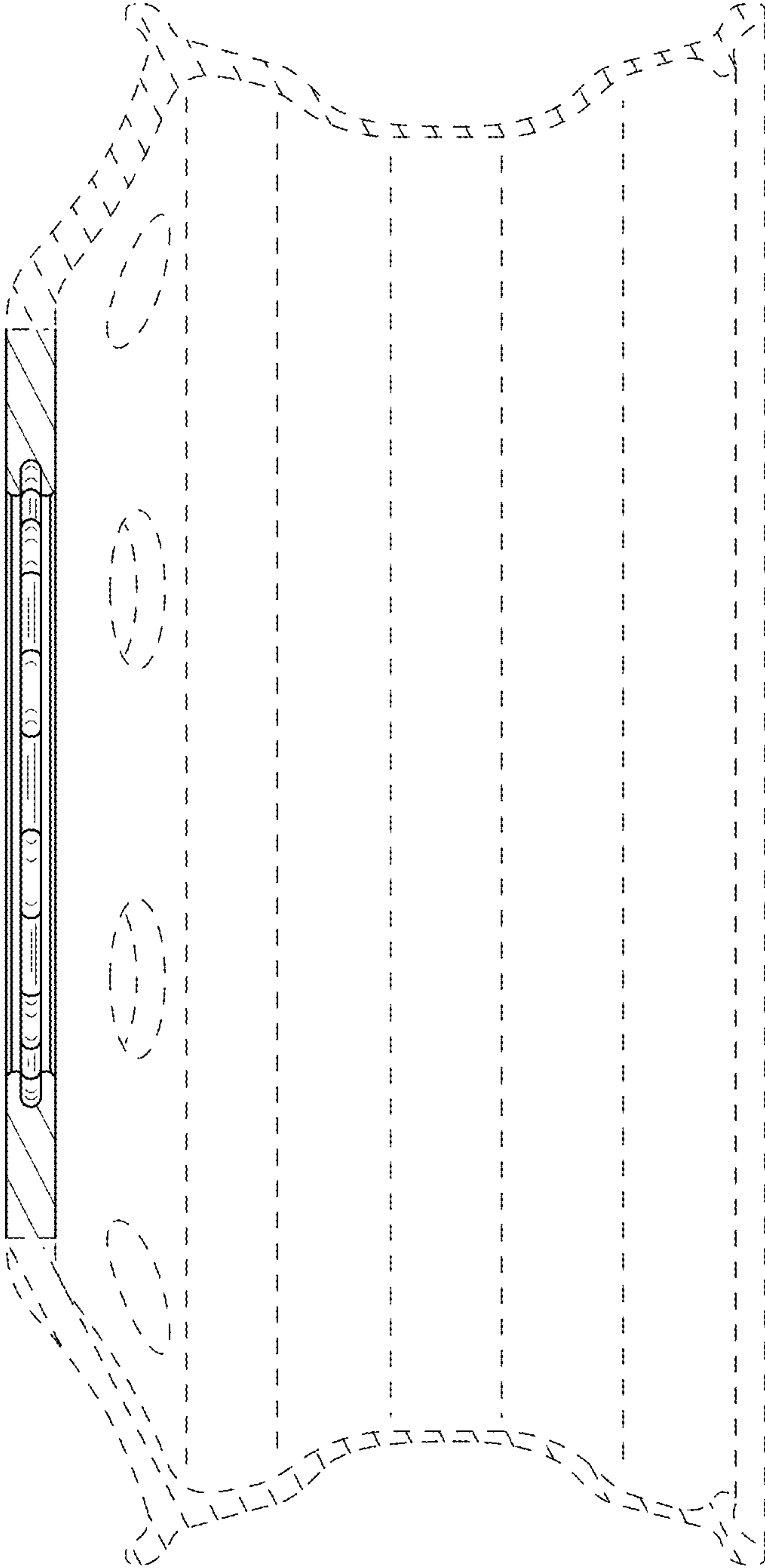


FIG.9

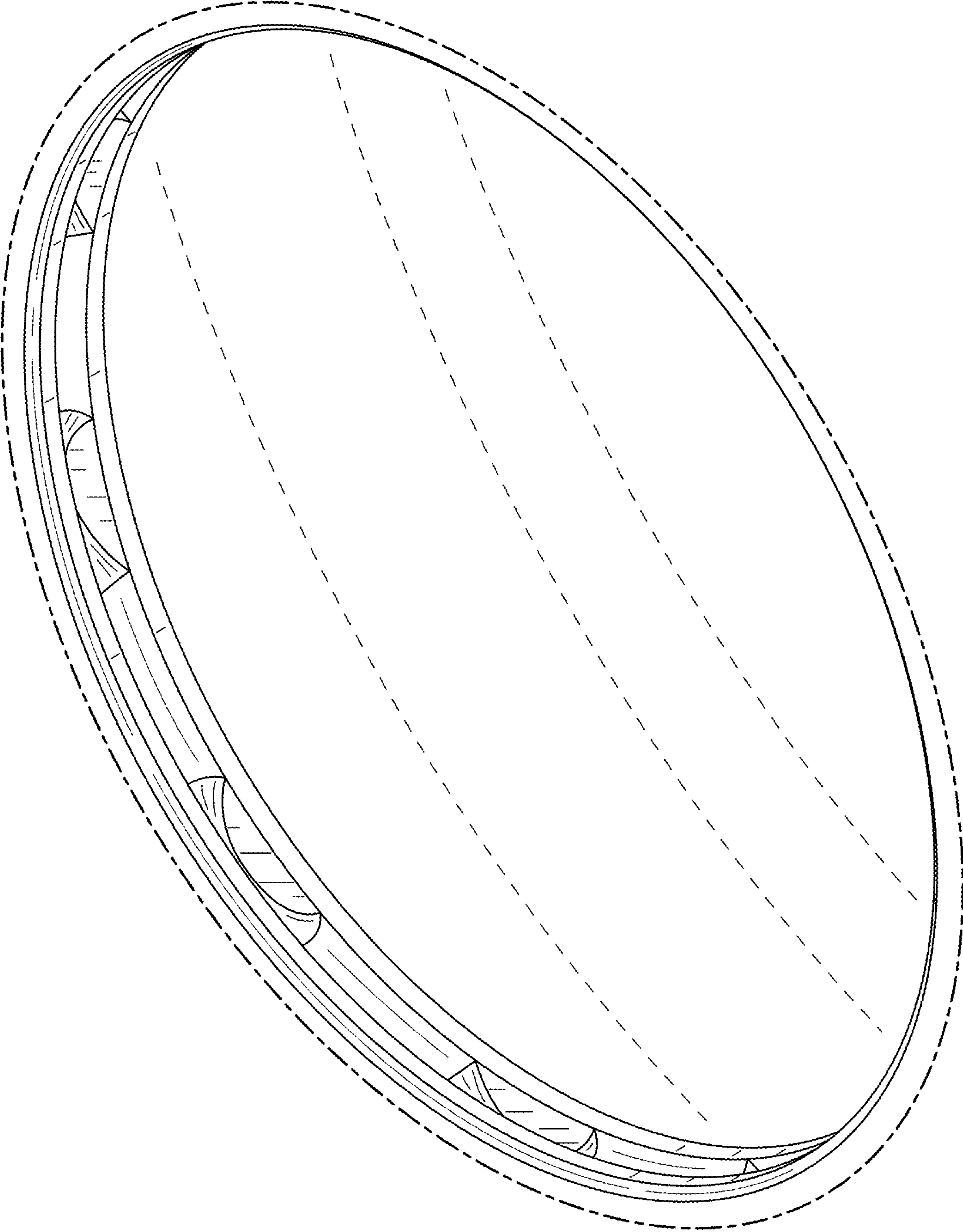


FIG.10

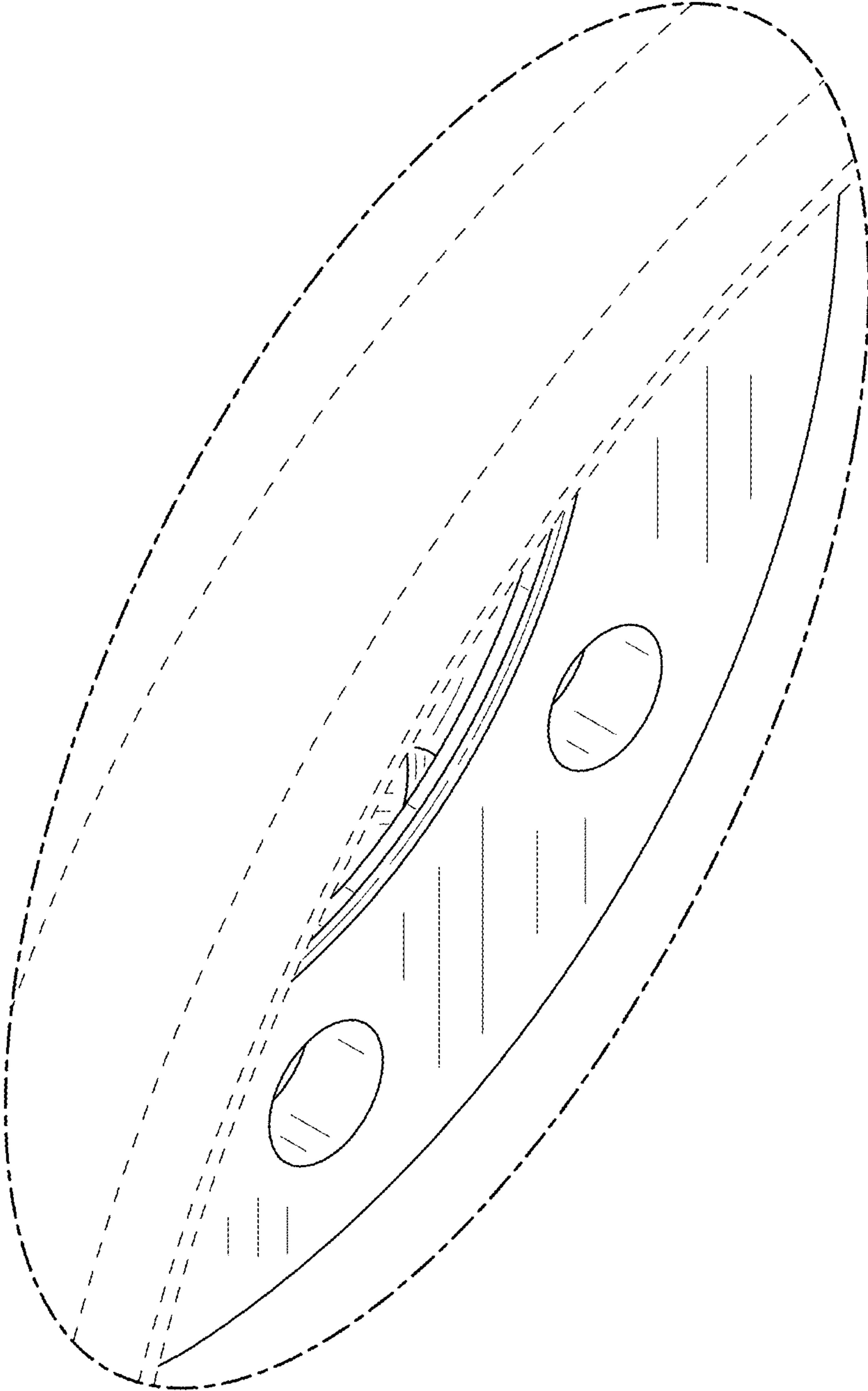


FIG.11