



US00D889374S

(12) **United States Design Patent**  
**Lee**

(10) **Patent No.:** **US D889,374 S**  
(45) **Date of Patent:** **\*\* Jul. 7, 2020**

(54) **AUTOMOTIVE WHEEL**

(71) Applicant: **MKW Alloy, Inc.**, City of Industry, CA (US)

(72) Inventor: **Kevin Lee**, Yorba Linda, CA (US)

(73) Assignee: **MKW ALLOY, INC.**, City of Industry, CA (US)

(\*\*) Term: **15 Years**

(21) Appl. No.: **29/696,692**

(22) Filed: **Jun. 28, 2019**

(51) **LOC (12) Cl.** ..... **12-16**

(52) **U.S. Cl.**  
USPC ..... **D12/211**

(58) **Field of Classification Search**  
USPC ..... D12/204-213; D21/563  
CPC .... B60B 7/00; B60B 7/02; B60B 7/04; B60B 7/01; B60B 7/06; B60B 3/02; B60B 3/04; B60B 3/06; B60B 3/10; B60B 1/00; B60B 1/08; B60B 1/10; B60B 1/12  
See application file for complete search history.

(56) **References Cited**

**U.S. PATENT DOCUMENTS**

D543,493 S \* 5/2007 Kim ..... D12/209  
D586,715 S \* 2/2009 Cortes ..... D12/211

D656,448 S \* 3/2012 Zhao ..... D12/211  
D688,187 S \* 8/2013 McMath ..... D12/209  
D704,617 S \* 5/2014 Chung ..... D12/211  
D706,197 S \* 6/2014 Chung ..... D12/211  
D731,946 S \* 6/2015 Chung ..... D12/211  
D741,770 S \* 10/2015 Kim ..... D12/209  
D767,468 S \* 9/2016 Stone ..... D12/211  
D817,845 S \* 5/2018 Guidry ..... D12/209  
D830,940 S \* 10/2018 Peat ..... D12/211  
D865,609 S \* 11/2019 Yeh ..... D12/209

\* cited by examiner

*Primary Examiner* — Stacia A Cadmus

(74) *Attorney, Agent, or Firm* — Ahn IP Law

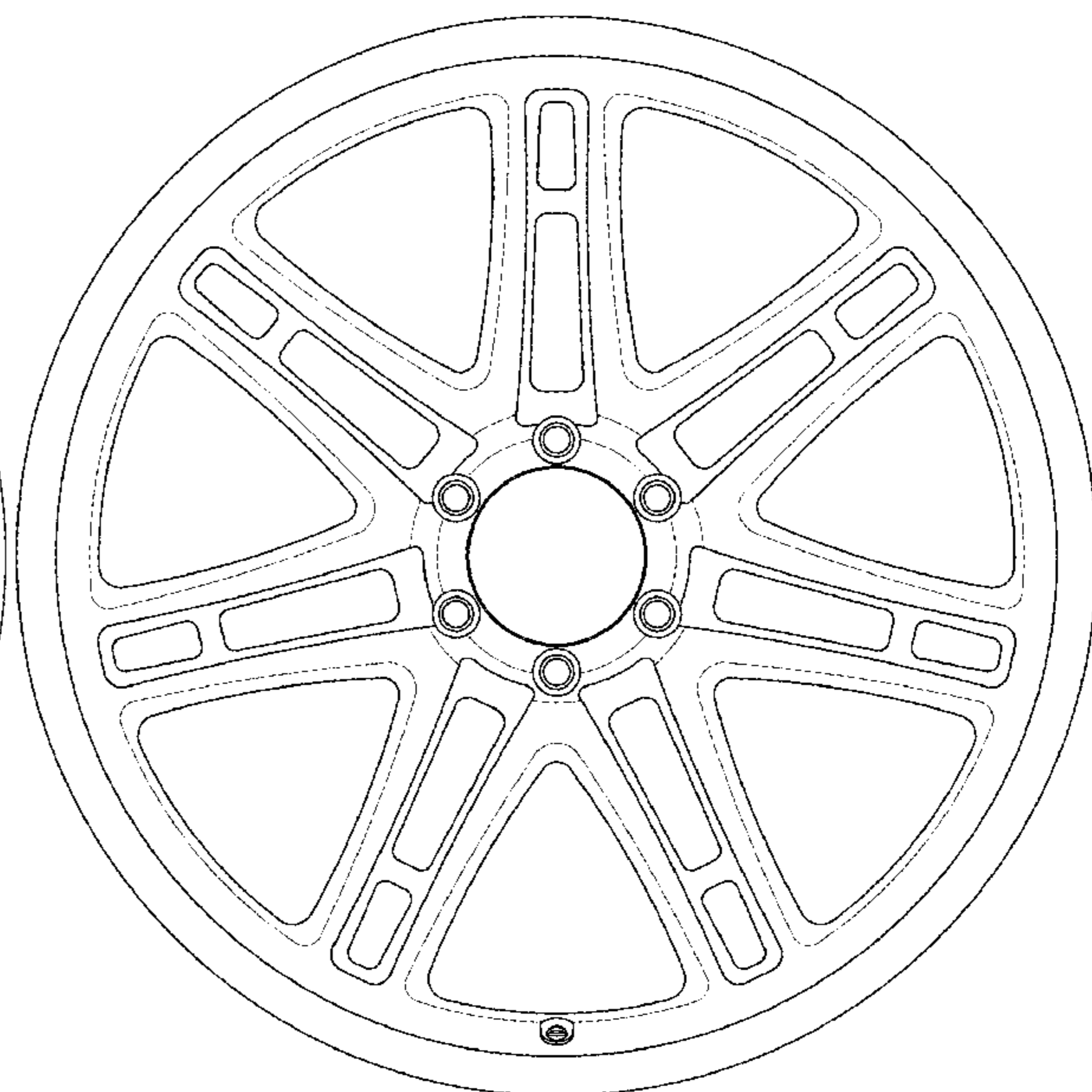
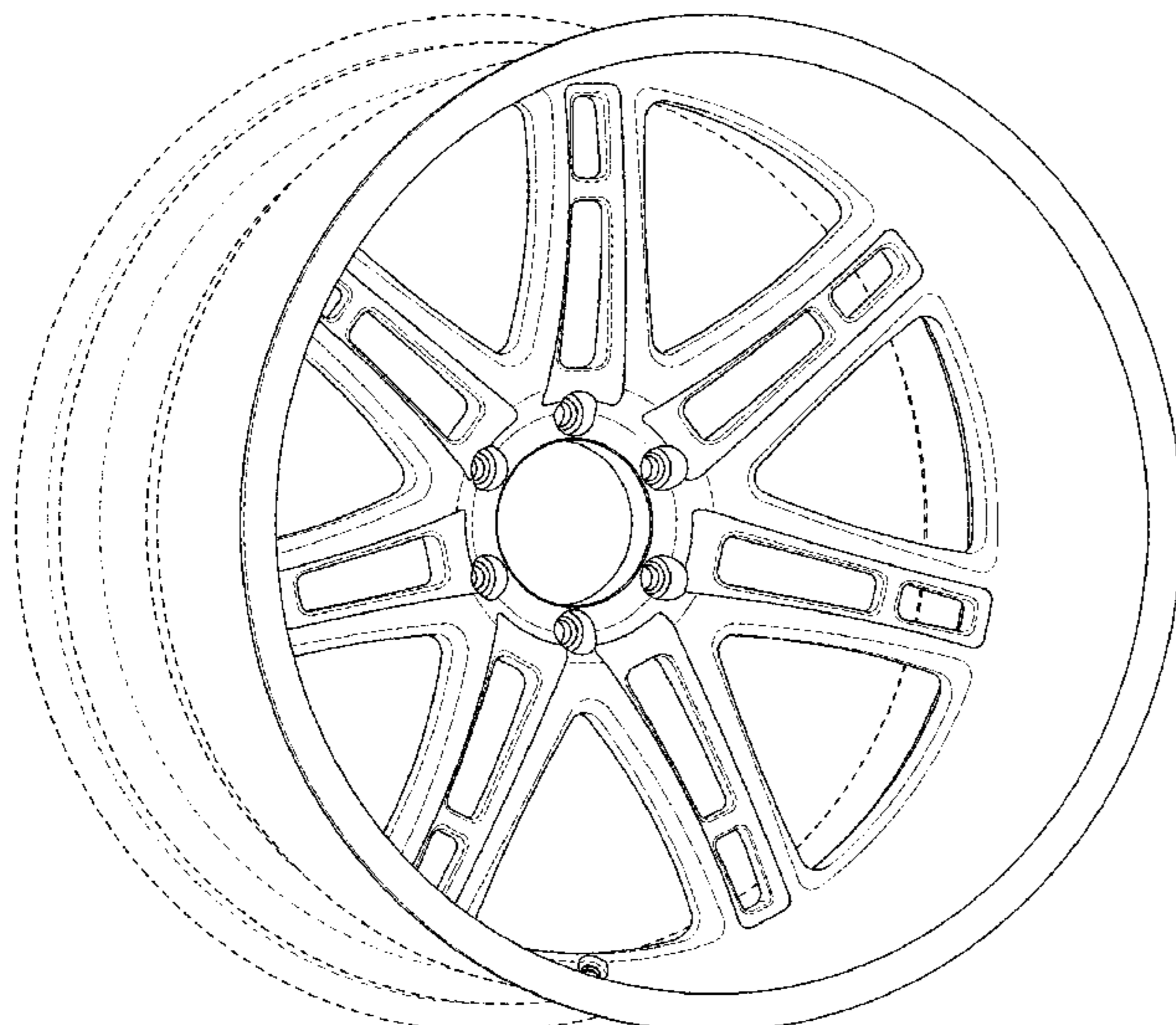
(57) **CLAIM**

The ornamental design for an automotive wheel, as shown and described.

**DESCRIPTION**

FIG. 1 is a perspective view of an automotive wheel, showing my new design;  
FIG. 2 is a front view thereof;  
FIG. 3 is a perspective view of a second embodiment of an automotive wheel, showing my new design; and,  
FIG. 4 is a front view of the wheel shown in FIG. 3.  
The broken lines shown in the figures are included for the purpose of illustrating the environment and form no part of the claimed design.

**1 Claim, 4 Drawing Sheets**



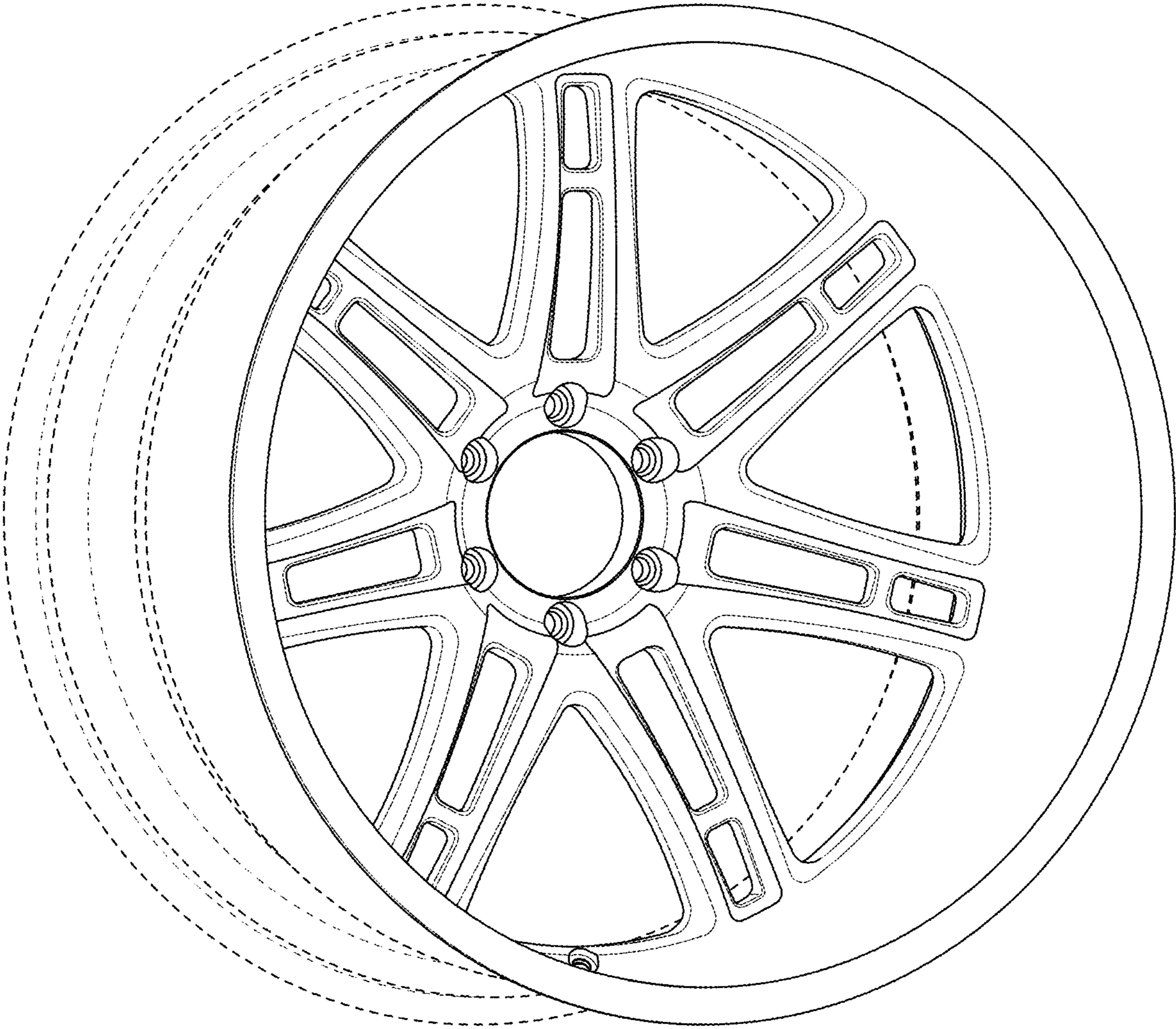


FIG. 1

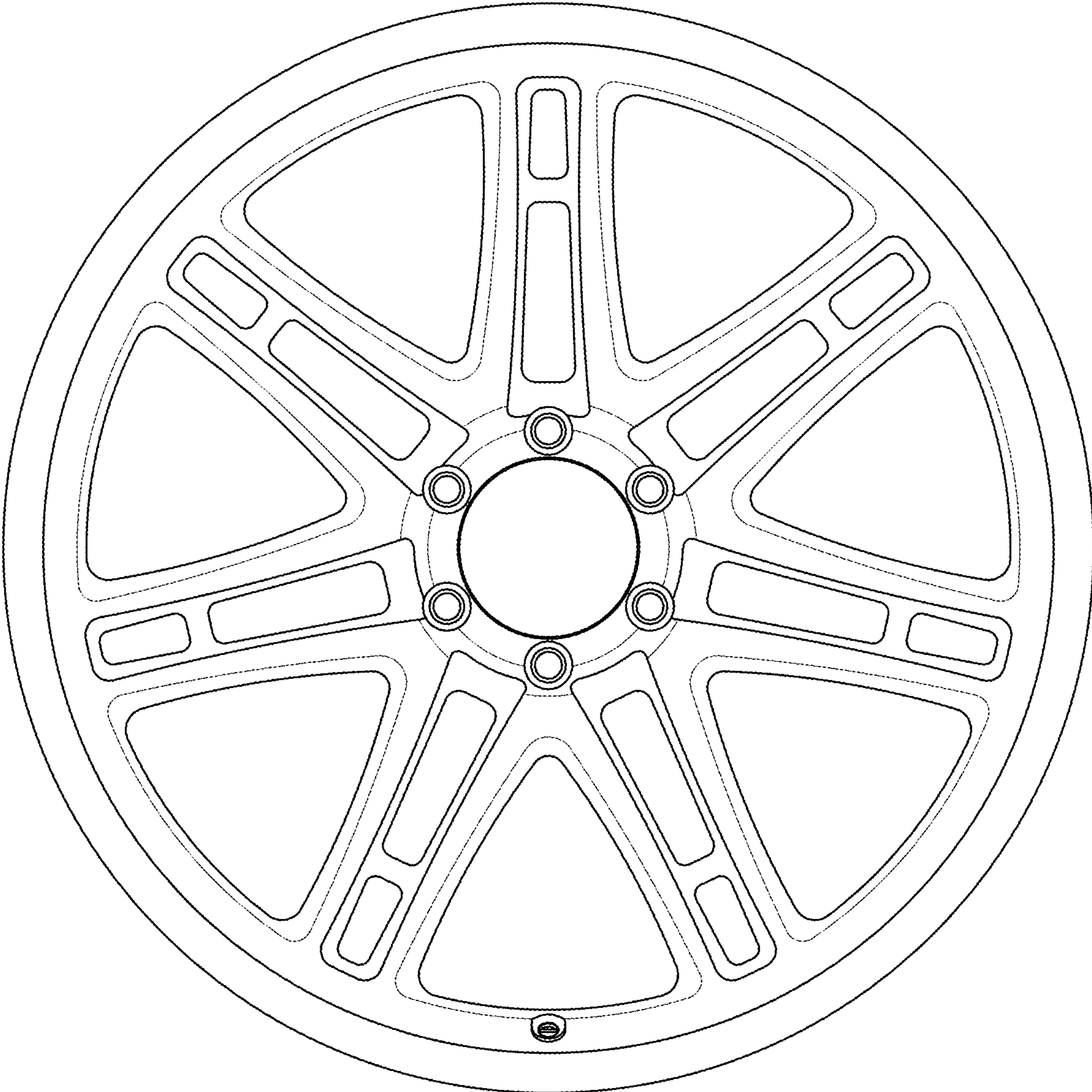


FIG. 2

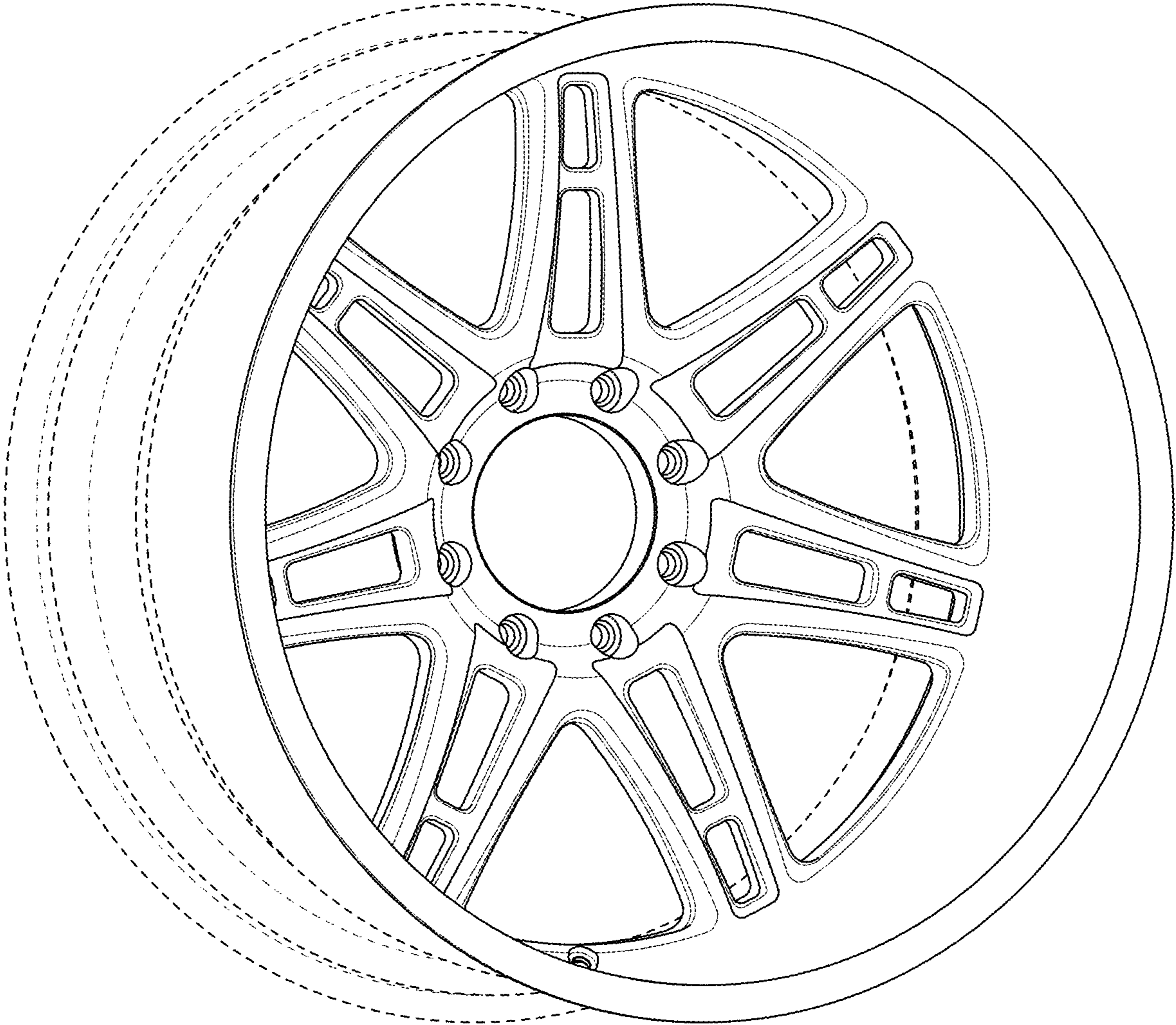


FIG. 3

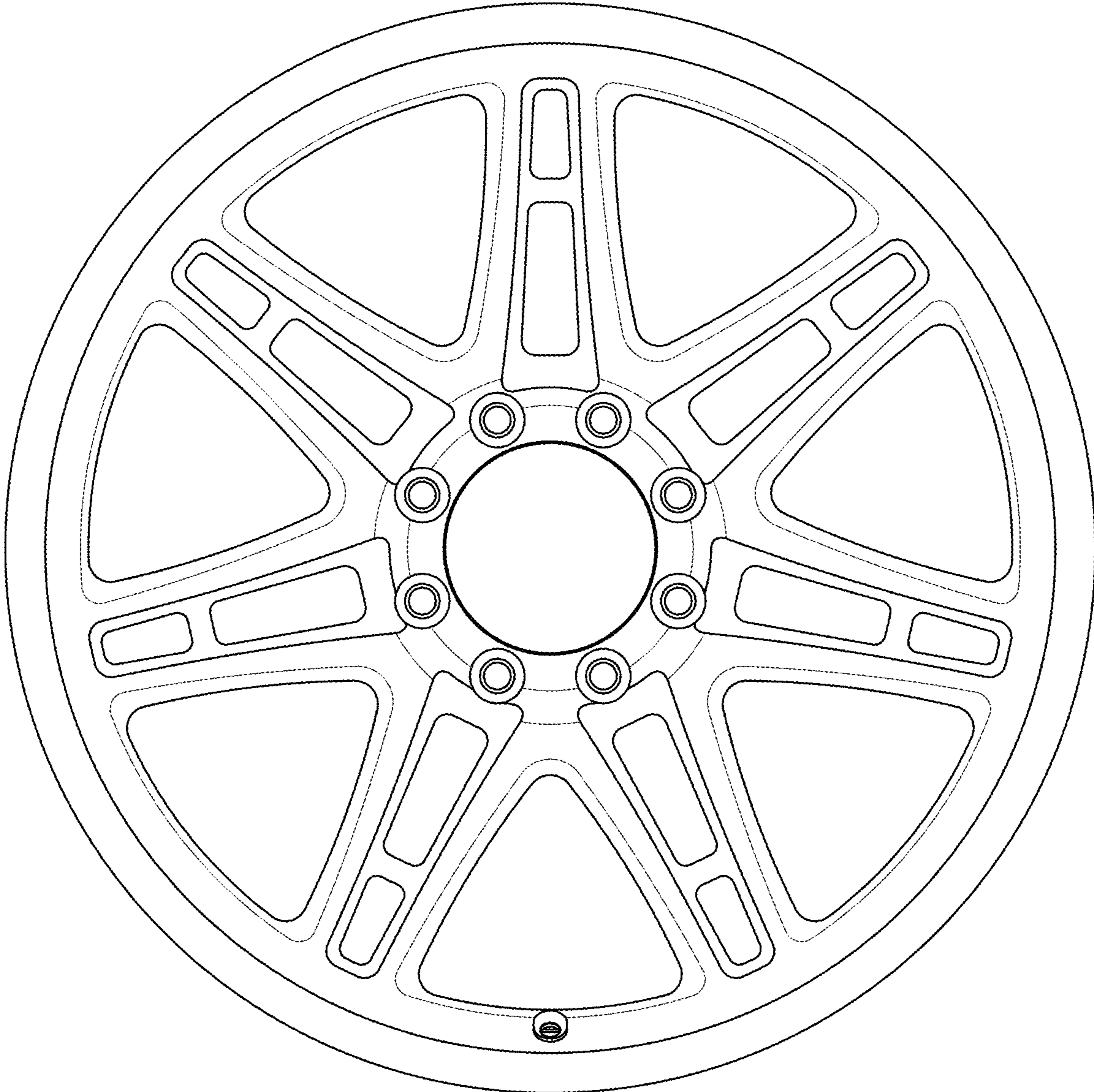


FIG. 4