



US00D889373S

(12) **United States Design Patent**
Hodges

(10) **Patent No.:** **US D889,373 S**

(45) **Date of Patent:** **** Jul. 7, 2020**

(54) **WHEEL**

(71) Applicant: **Frank J. Hodges**, Corona, CA (US)

(72) Inventor: **Frank J. Hodges**, Corona, CA (US)

(**) Term: **15 Years**

(21) Appl. No.: **29/684,750**

(22) Filed: **Mar. 22, 2019**

(51) **LOC (12) Cl.** **12-16**

(52) **U.S. Cl.**
USPC **D12/211**

(58) **Field of Classification Search**

USPC D12/204-213; D21/563

CPC B60B 7/00; B60B 7/02; B60B 7/04; B60B
7/01; B60B 7/06; B60B 3/02; B60B 3/04;
B60B 3/06; B60B 3/10; B60B 1/00;
B60B 1/08; B60B 1/10; B60B 1/12

See application file for complete search history.

(56) **References Cited**

U.S. PATENT DOCUMENTS

D597,015 S * 7/2009 Juergens D12/211
D660,769 S * 5/2012 Pollmann D12/211

D661,239 S * 6/2012 Pollmann D12/209
D671,481 S * 11/2012 Amezketa D12/211
D713,773 S * 9/2014 Scheinhutte D12/209
D718,696 S * 12/2014 Gotschke D12/209
D801,906 S * 11/2017 Burki D12/211
D808,883 S * 1/2018 Chung D12/211
D819,538 S * 6/2018 Badstuebner D12/211
D828,264 S * 9/2018 Owens D12/209
D852,710 S * 7/2019 Groth D12/211
D852,711 S * 7/2019 Hurynovich D12/211
D854,485 S * 7/2019 Rueckheim D12/211
D870,010 S * 12/2019 Hahn D12/209

* cited by examiner

Primary Examiner — Stacia A Cadmus

(74) *Attorney, Agent, or Firm* — Eric B. Alspaugh APC

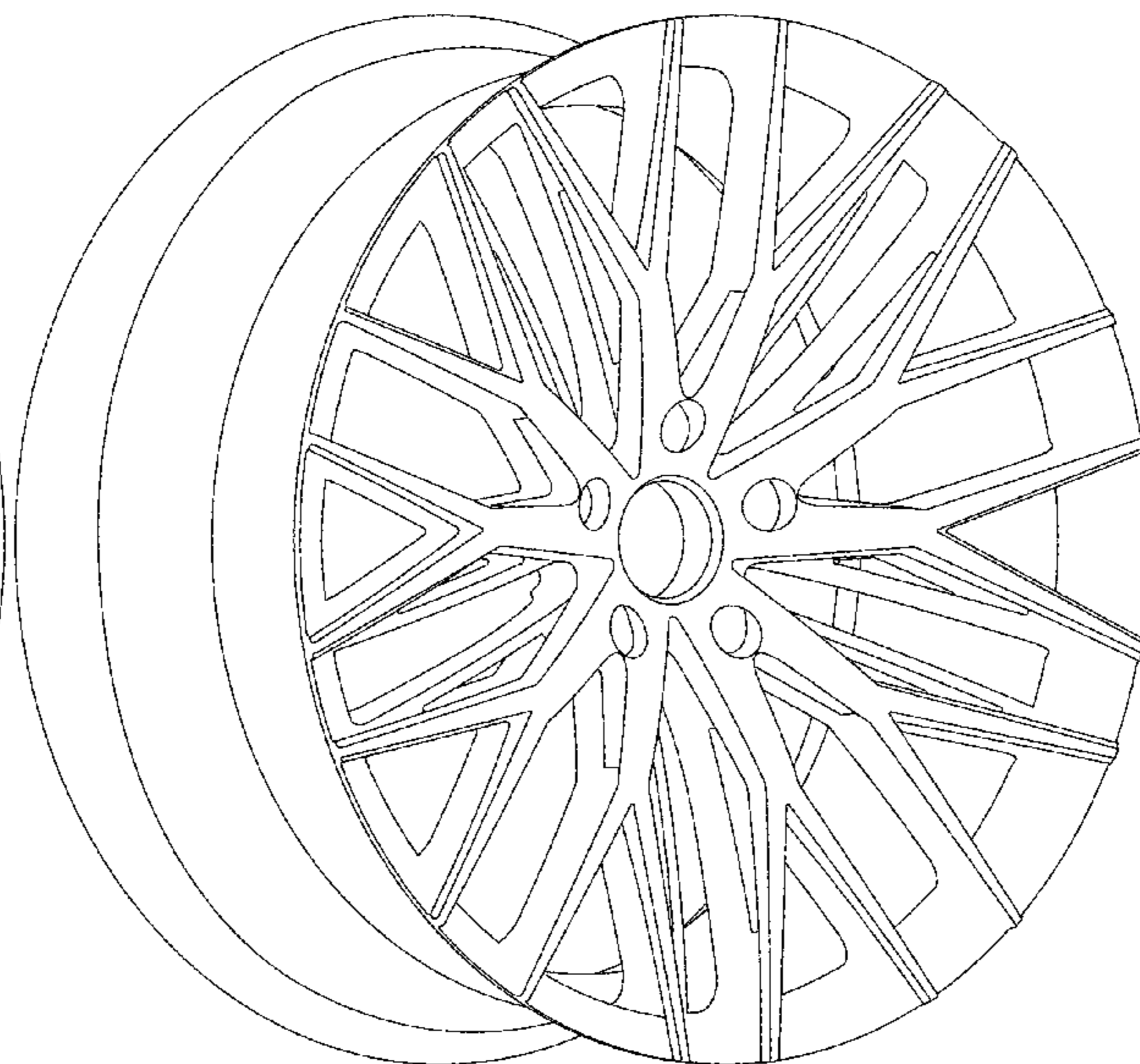
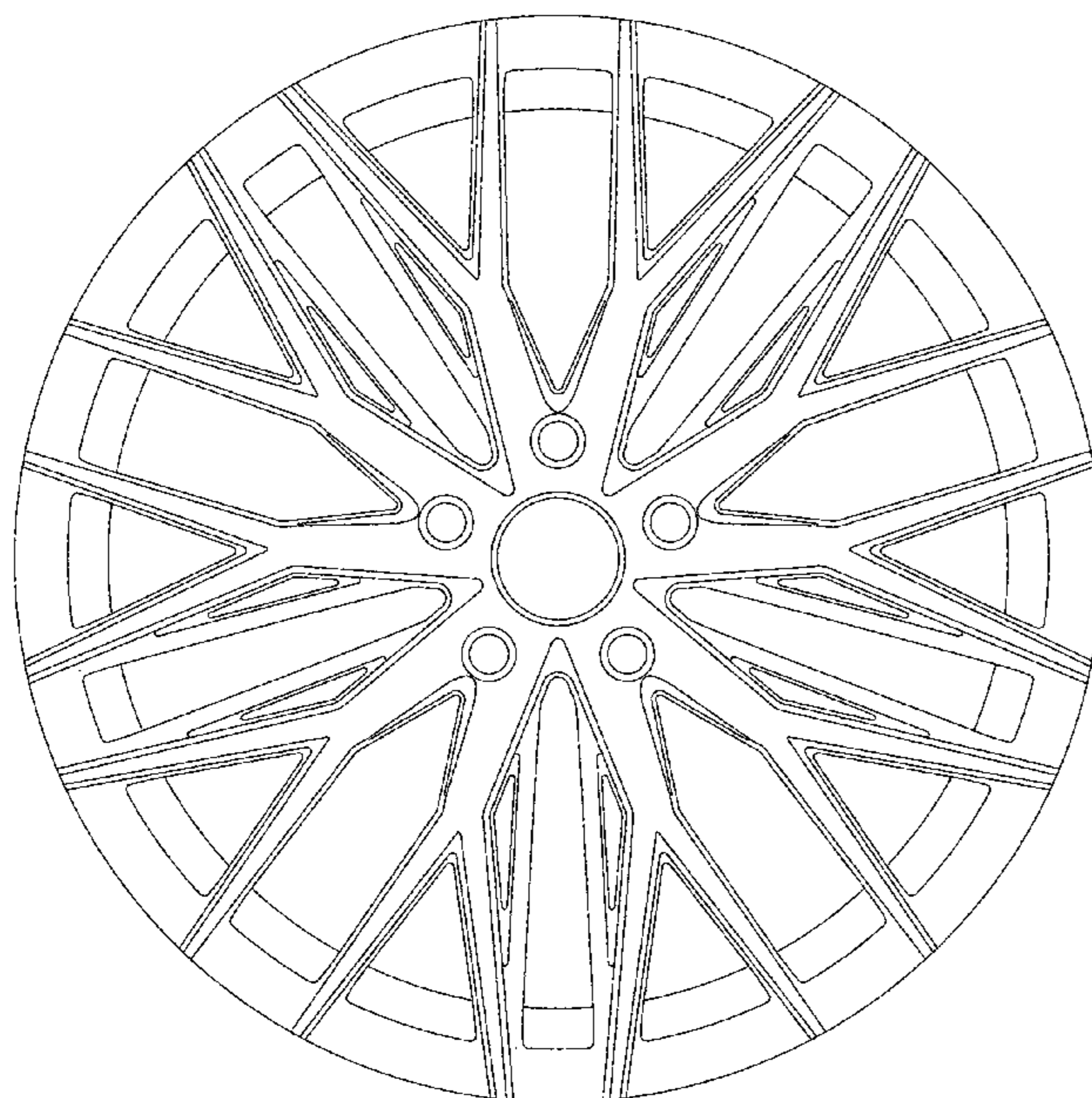
(57) **CLAIM**

The ornamental design for a wheel, as shown and described.

DESCRIPTION

FIG. 1 is a front view of a wheel showing my new design;
and,
FIG. 2 is an oblique view thereof.

1 Claim, 2 Drawing Sheets



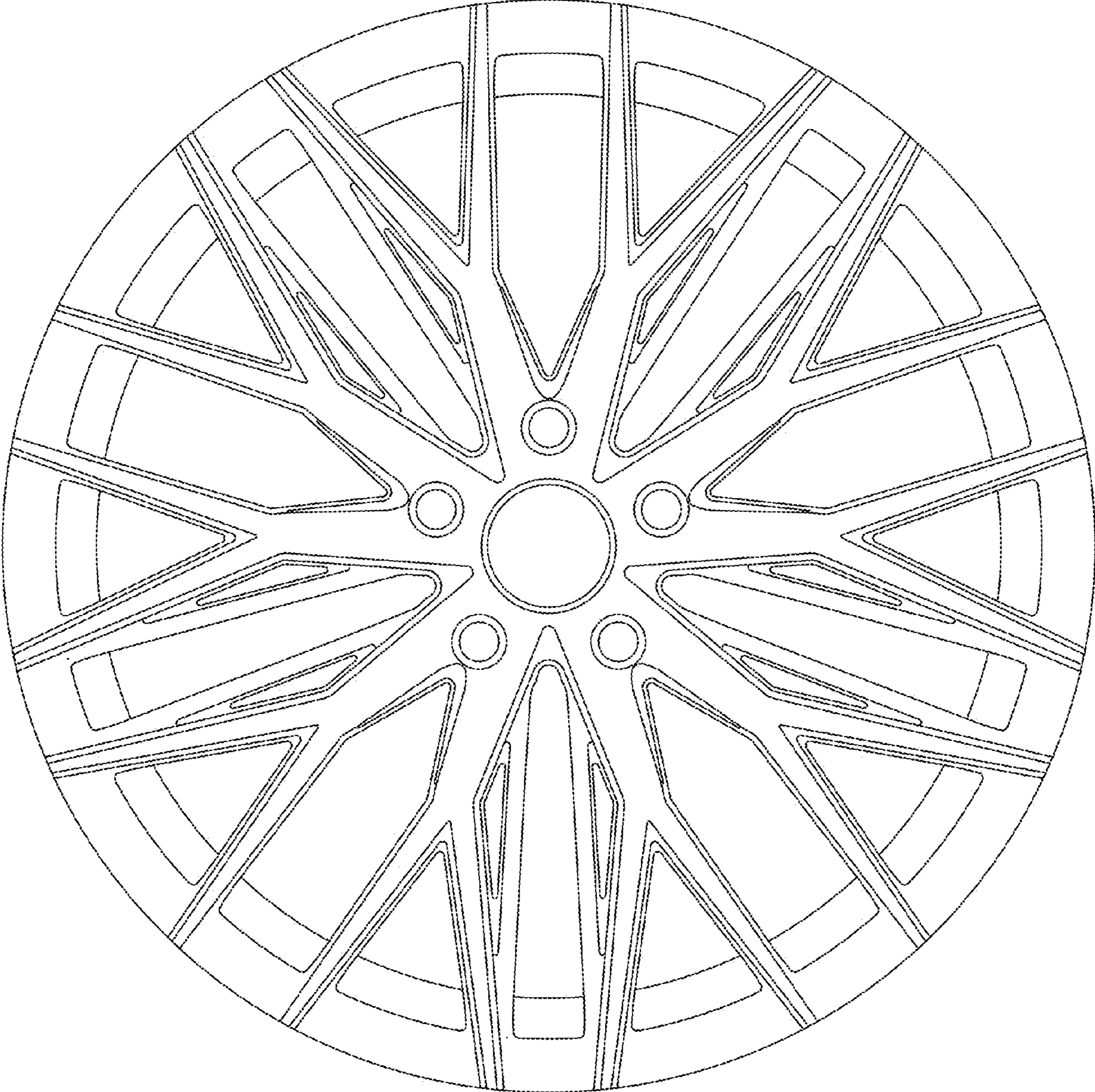


Fig. 1

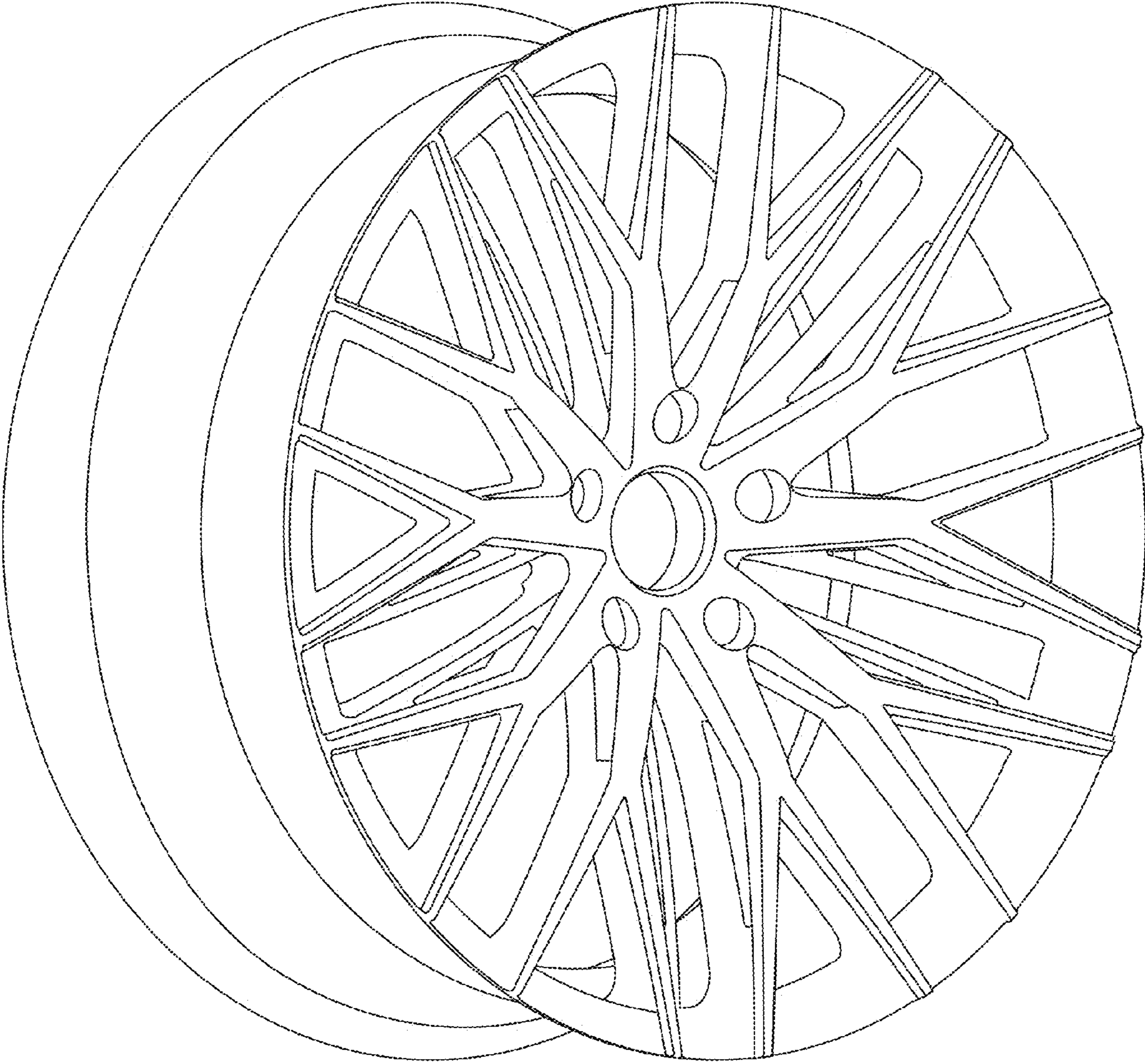


Fig. 2