



US00D889372S

(12) **United States Design Patent**
Williams

(10) **Patent No.:** **US D889,372 S**
(45) **Date of Patent:** **** Jul. 7, 2020**

(54) **WHEEL FRONT FACE**

(71) Applicant: **David A Williams**, Chino Hills, CA
(US)

(72) Inventor: **David A Williams**, Chino Hills, CA
(US)

(73) Assignee: **Wheel Group Holdings LLC**, Ontario,
CA (US)

(**) Term: **15 Years**

(21) Appl. No.: **29/679,361**

(22) Filed: **Feb. 5, 2019**

(51) **LOC (12) Cl.** **12-16**

(52) **U.S. Cl.**
USPC **D12/211**

(58) **Field of Classification Search**
USPC D12/204–213; D21/563
CPC B60B 7/00; B60B 7/02; B60B 7/04; B60B
7/01; B60B 7/06; B60B 3/02; B60B 3/04;
B60B 3/06; B60B 3/10; B60B 1/00;
B60B 1/08; B60B 1/10; B60B 1/12
See application file for complete search history.

(56) **References Cited**

U.S. PATENT DOCUMENTS

D726,630 S * 4/2015 Kong D12/211
D763,163 S * 8/2016 Chung D12/211

D763,772 S * 8/2016 Chung D12/211
D791,675 S * 7/2017 Guo D12/211
D793,942 S * 8/2017 Factor D12/211
D805,455 S * 12/2017 Kong D12/209
D840,899 S * 2/2019 Chung D12/211
D842,184 S * 3/2019 Chung D12/209
D849,654 S * 5/2019 Kong D12/209
D852,111 S * 6/2019 Kong D12/211
D867,960 S * 11/2019 Aslam D12/209
D883,893 S * 5/2020 Johnson D12/211
D885,295 S * 5/2020 Han D12/211

* cited by examiner

Primary Examiner — Stacia A Cadmus

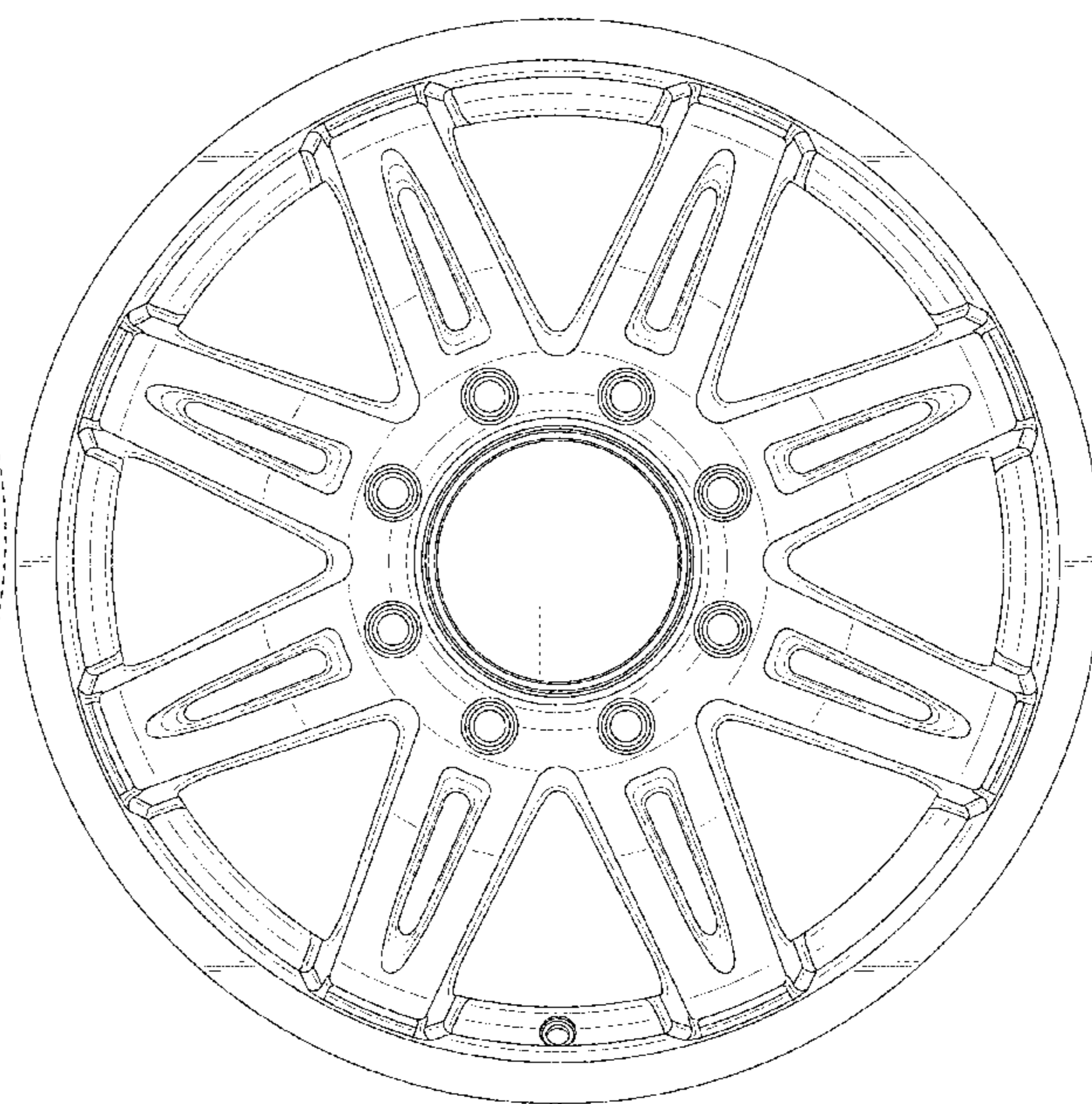
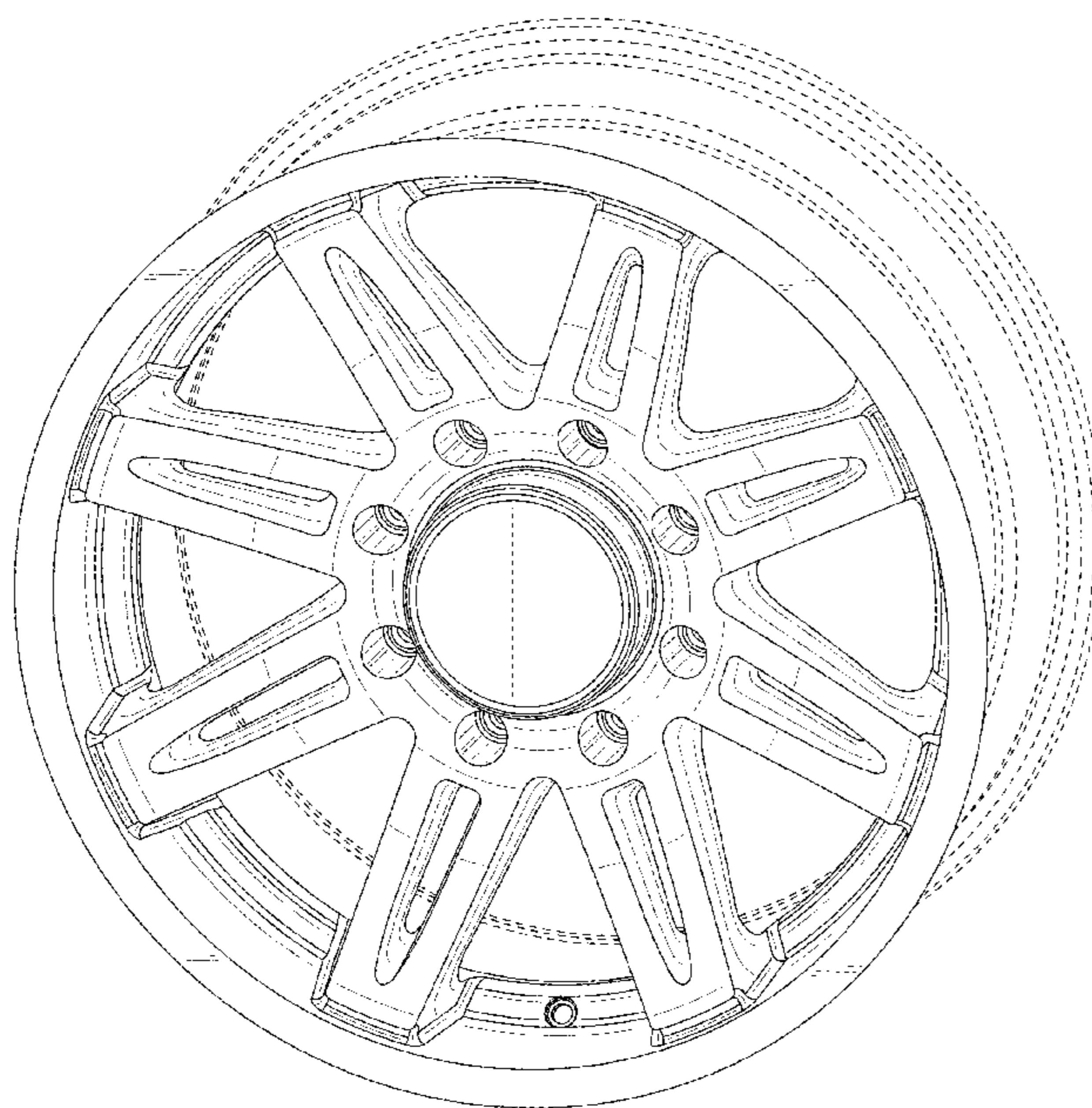
(57) **CLAIM**

The ornamental design for a wheel front face, as shown and described.

DESCRIPTION

FIG. 1 is a perspective view of a wheel front face, showing my new design;
FIG. 2 is a front view thereof; and,
FIG. 3 is a side view thereof.
In the drawings, the broken lines depict environmental subject matter and form no part of the claimed design.

1 Claim, 3 Drawing Sheets



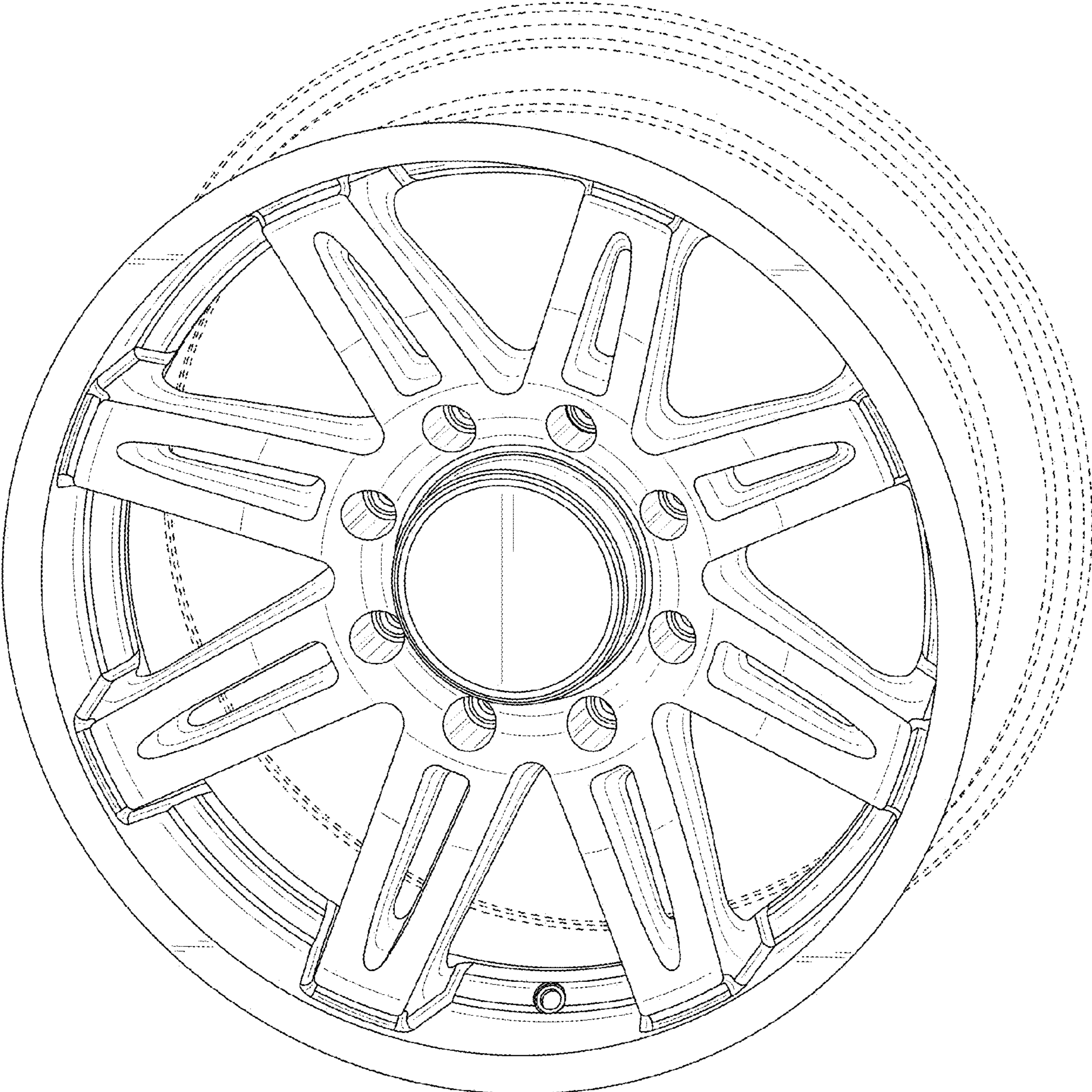


FIG.1

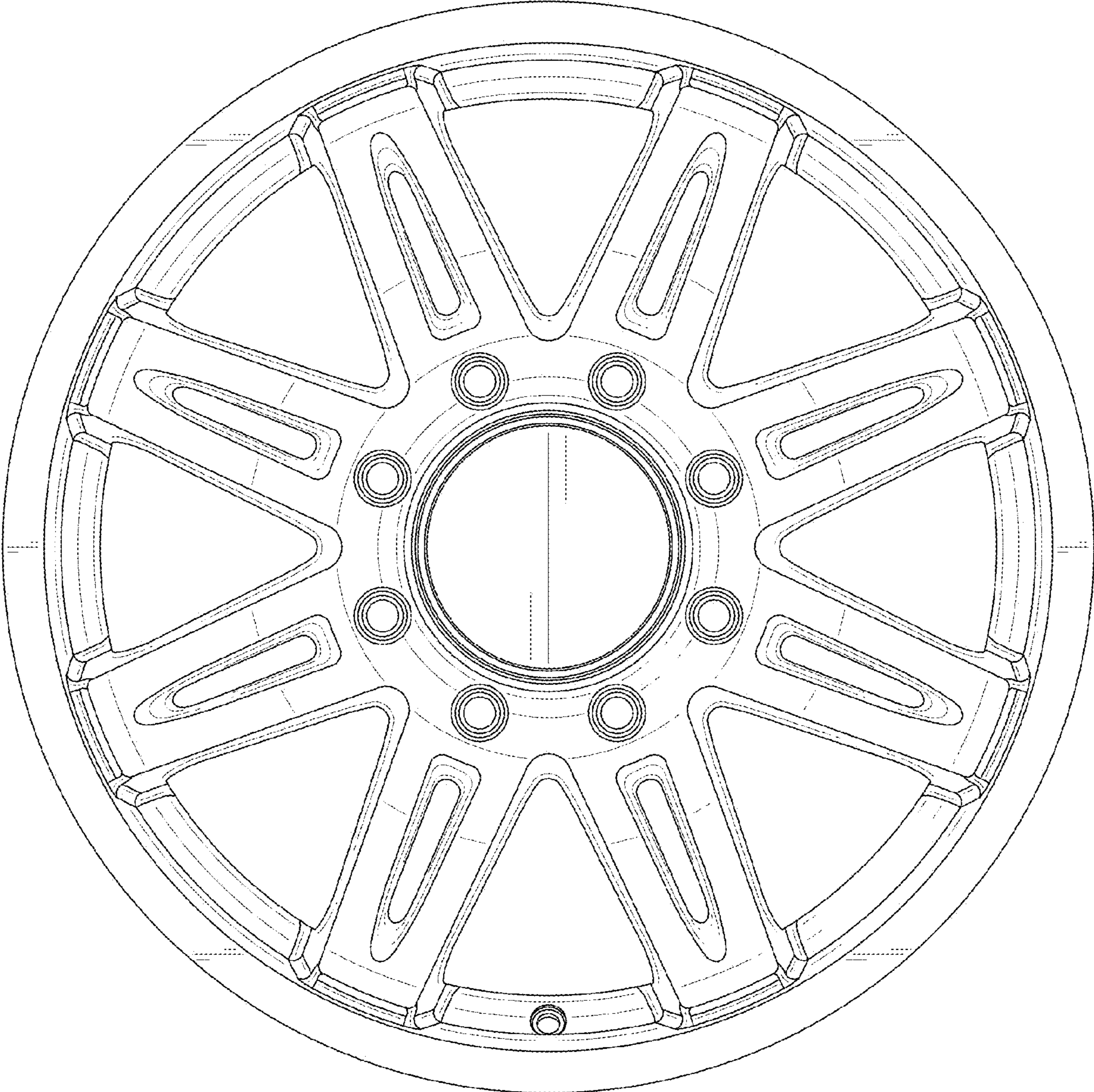


FIG.2

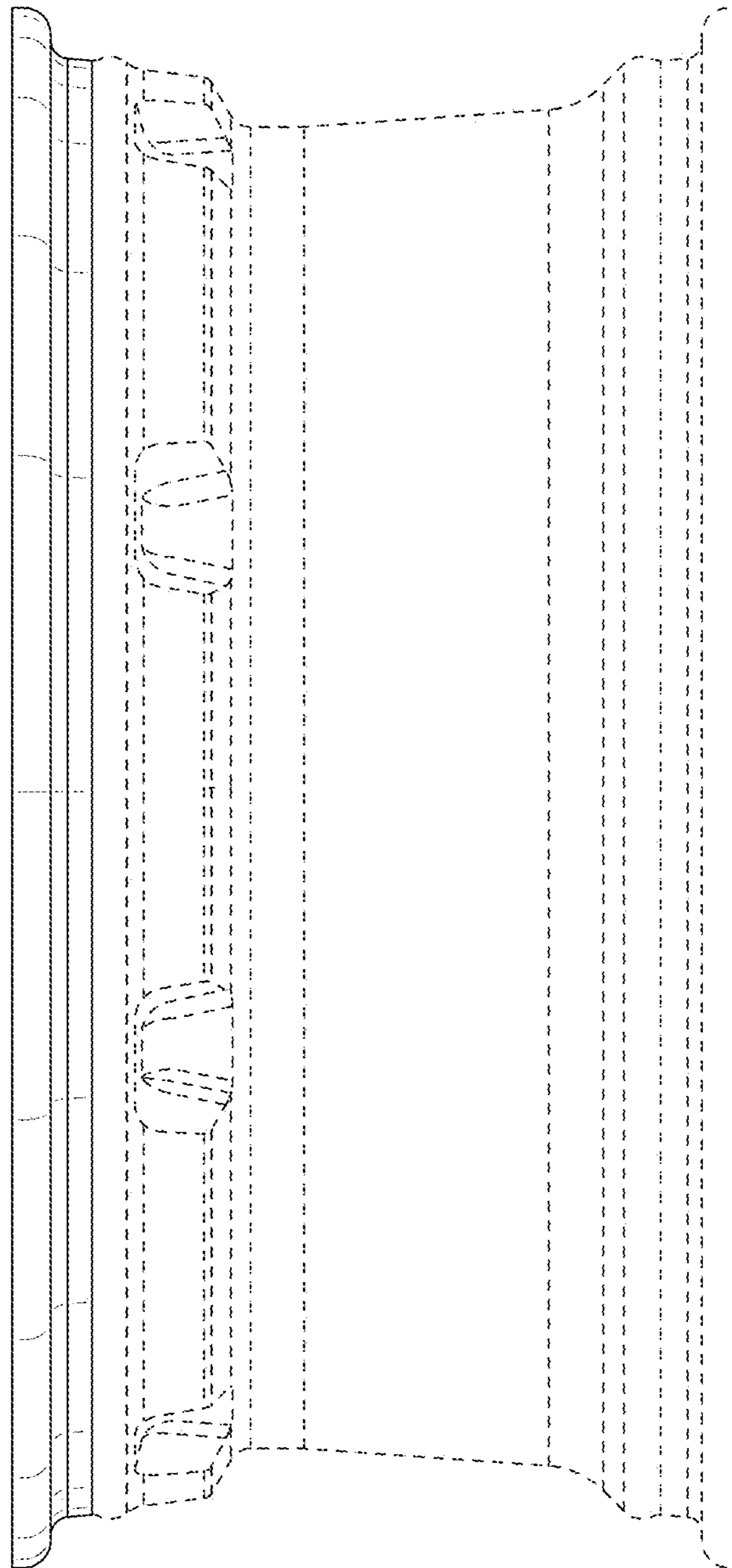


FIG.3