



US00D889369S

(12) **United States Design Patent**  
**Lee**

(10) **Patent No.:** **US D889,369 S**

(45) **Date of Patent:** **\*\* Jul. 7, 2020**

(54) **AUTOMOTIVE WHEEL**

(71) Applicant: **MKW Alloy, Inc.**, City of Industry, CA (US)

(72) Inventor: **Kevin Lee**, Yorba Linda, CA (US)

(73) Assignee: **MKW ALLOY, INC.**, City of Industry, CA (US)

(\*\*) Term: **15 Years**

(21) Appl. No.: **29/696,688**

(22) Filed: **Jun. 28, 2019**

(51) **LOC (12) Cl.** ..... **12-16**

(52) **U.S. Cl.**  
USPC ..... **D12/209**

(58) **Field of Classification Search**  
USPC ..... D12/204–213; D21/563  
CPC .... B60B 7/00; B60B 7/02; B60B 7/04; B60B 7/01; B60B 3/02; B60B 3/04; B60B 3/06; B60B 3/10; B60B 1/00; B60B 1/08; B60B 1/10; B60B 1/12  
See application file for complete search history.

(56) **References Cited**

**U.S. PATENT DOCUMENTS**

D256,688 S \* 9/1980 Zielinski ..... D12/205  
D425,471 S \* 5/2000 Hussaini ..... D12/209  
D440,933 S \* 4/2001 Vian ..... D12/209  
D671,475 S \* 11/2012 Juergens ..... D12/209

D738,280 S \* 9/2015 Hale ..... D12/209  
D744,400 S \* 12/2015 Watanuki ..... D12/209  
D758,275 S \* 6/2016 Patel ..... D12/209  
D792,309 S \* 7/2017 Wolff ..... D12/211  
D823,432 S \* 7/2018 Oh ..... D23/209  
D828,266 S \* 9/2018 Garcia ..... D12/209  
D842,186 S \* 3/2019 Kong ..... D12/209  
D843,298 S \* 3/2019 Hodges ..... D12/209  
D843,299 S \* 3/2019 Hodges ..... D12/209  
D855,534 S \* 8/2019 Gregory ..... D12/209  
D860,899 S \* 9/2019 Lickliter ..... D12/209  
D862,349 S \* 10/2019 Woodhouse ..... D12/209  
D874,375 S \* 2/2020 Han ..... D12/209

\* cited by examiner

*Primary Examiner* — Stacia A Cadmus

(74) *Attorney, Agent, or Firm* — Ahn IP Law

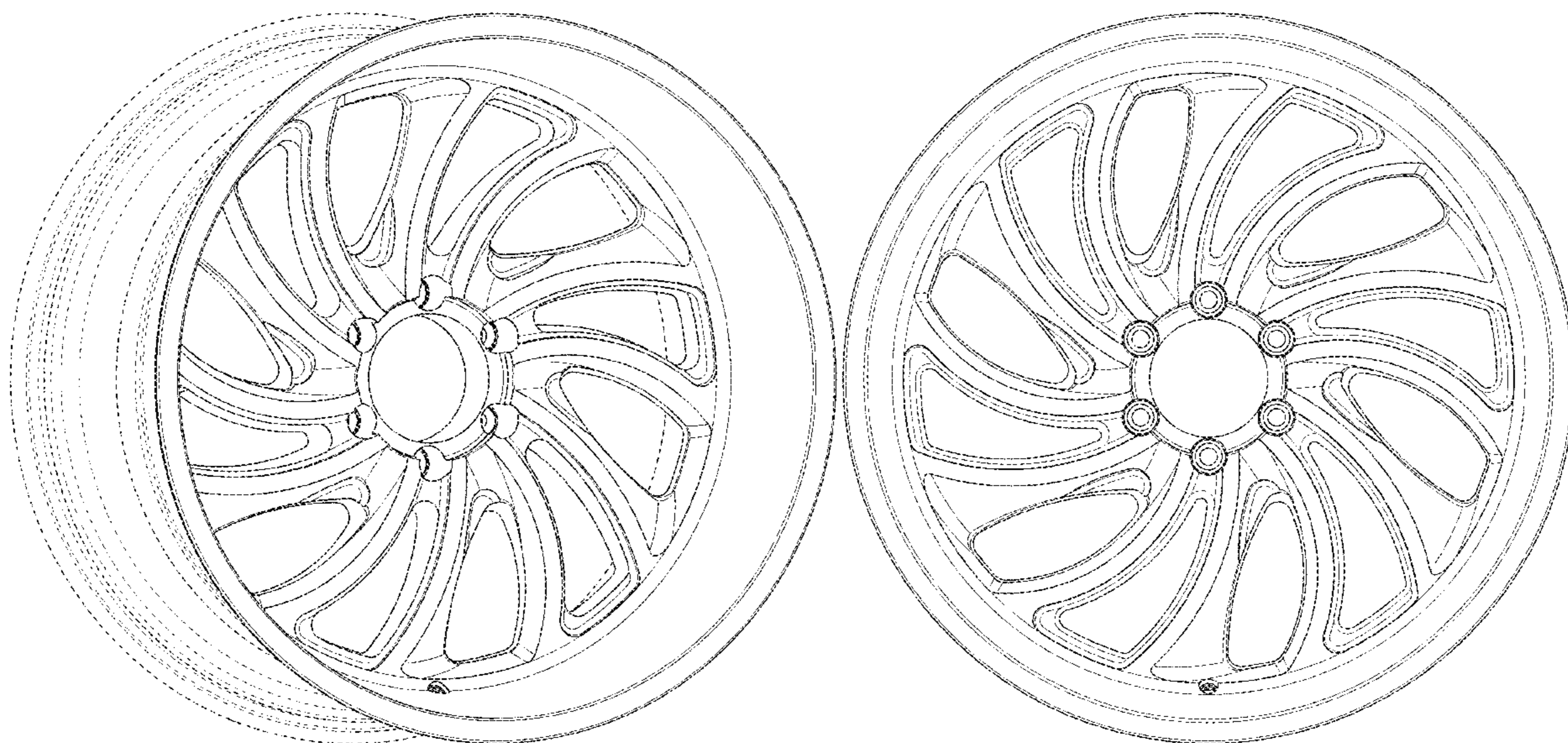
(57) **CLAIM**

The ornamental design for an automotive wheel, as shown and described.

**DESCRIPTION**

FIG. 1 is a perspective view of an automotive wheel, showing my new design;  
FIG. 2 is a front view thereof;  
FIG. 3 is a perspective view of a second embodiment of an automotive wheel, showing my new design; and,  
FIG. 4 is a front view of the wheel shown in FIG. 3.  
The broken lines shown in the figures are included for the purpose of illustrating the environment and form no part of the claimed design.

**1 Claim, 4 Drawing Sheets**



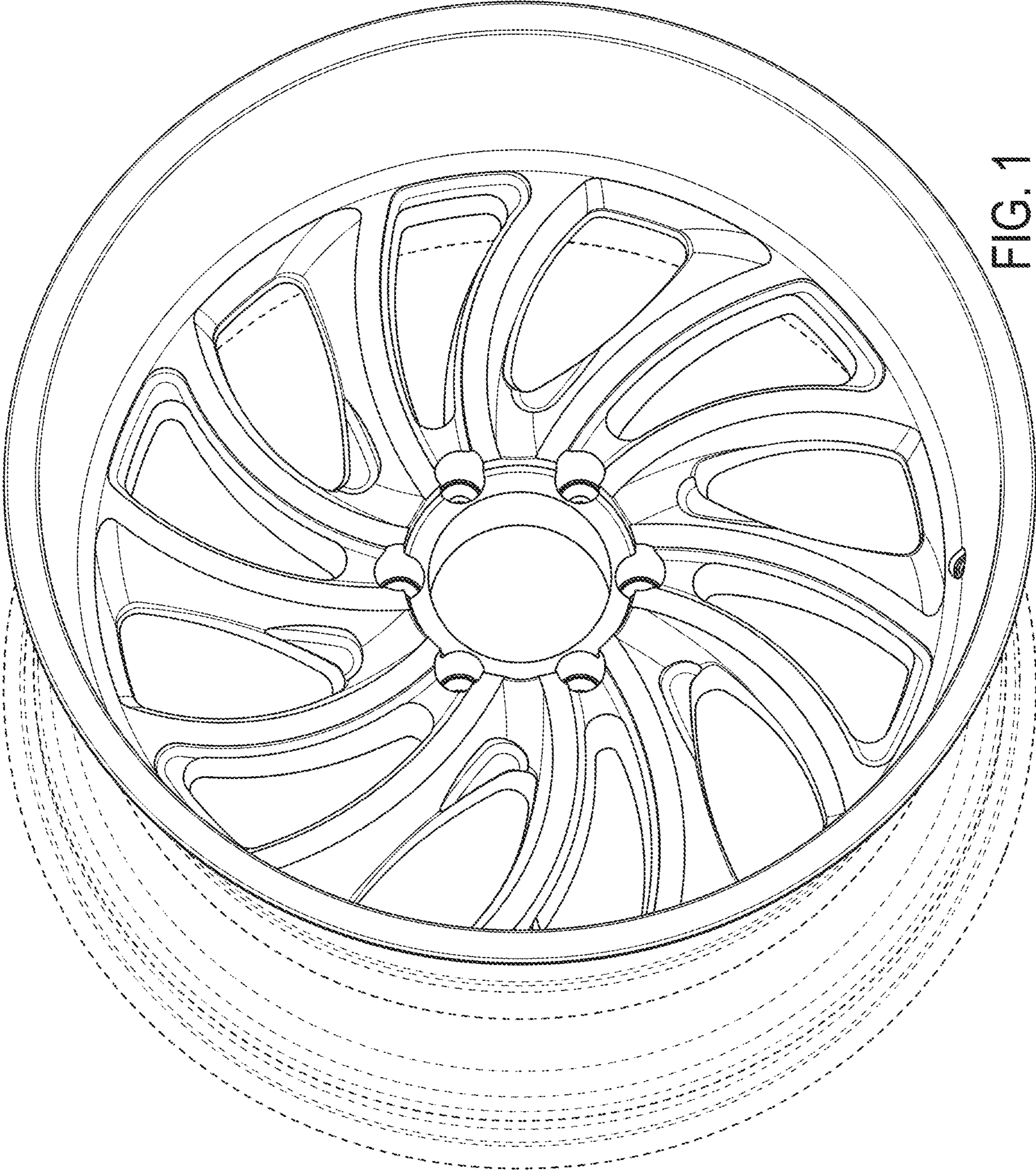


FIG. 1

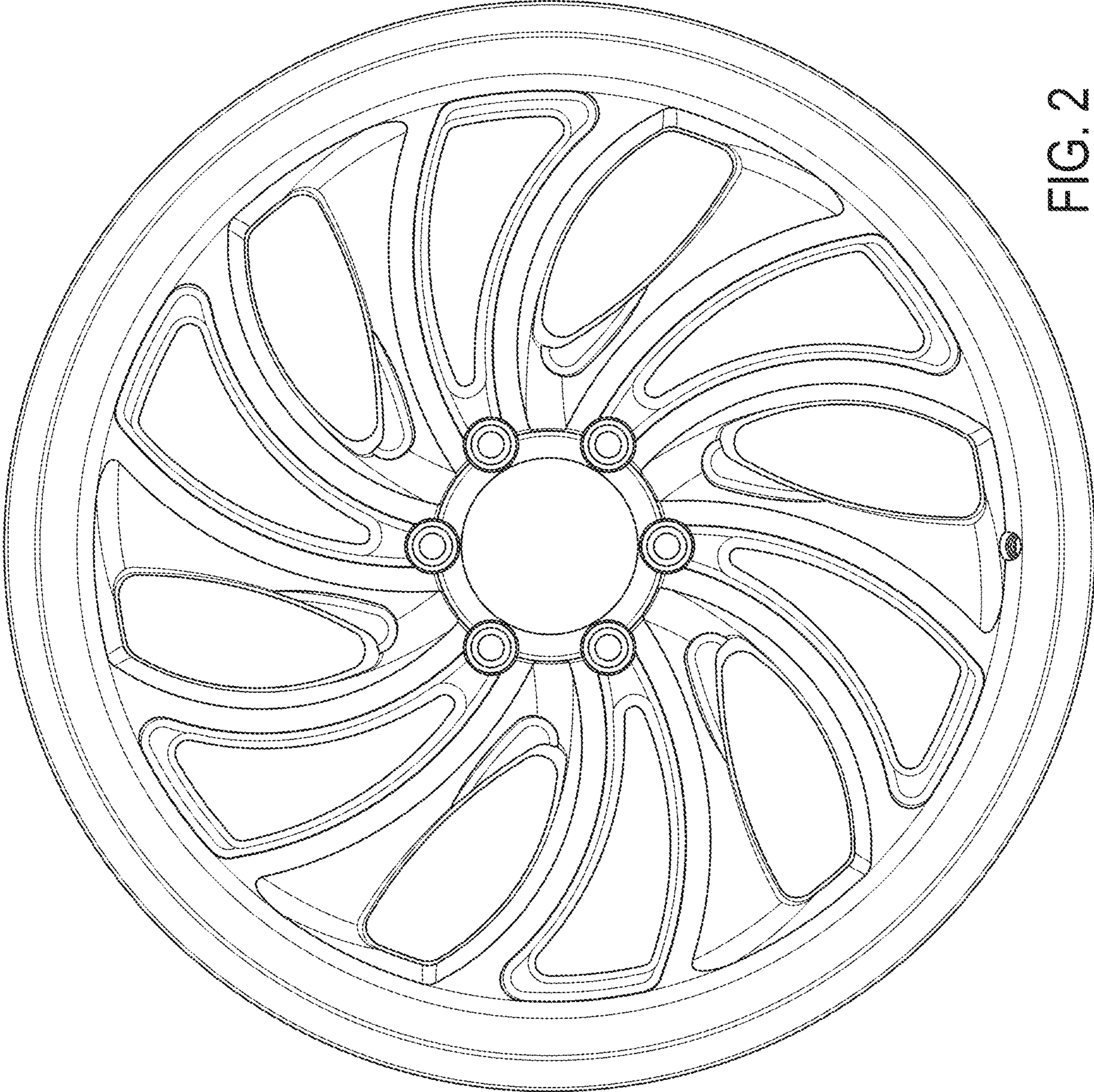


FIG. 2

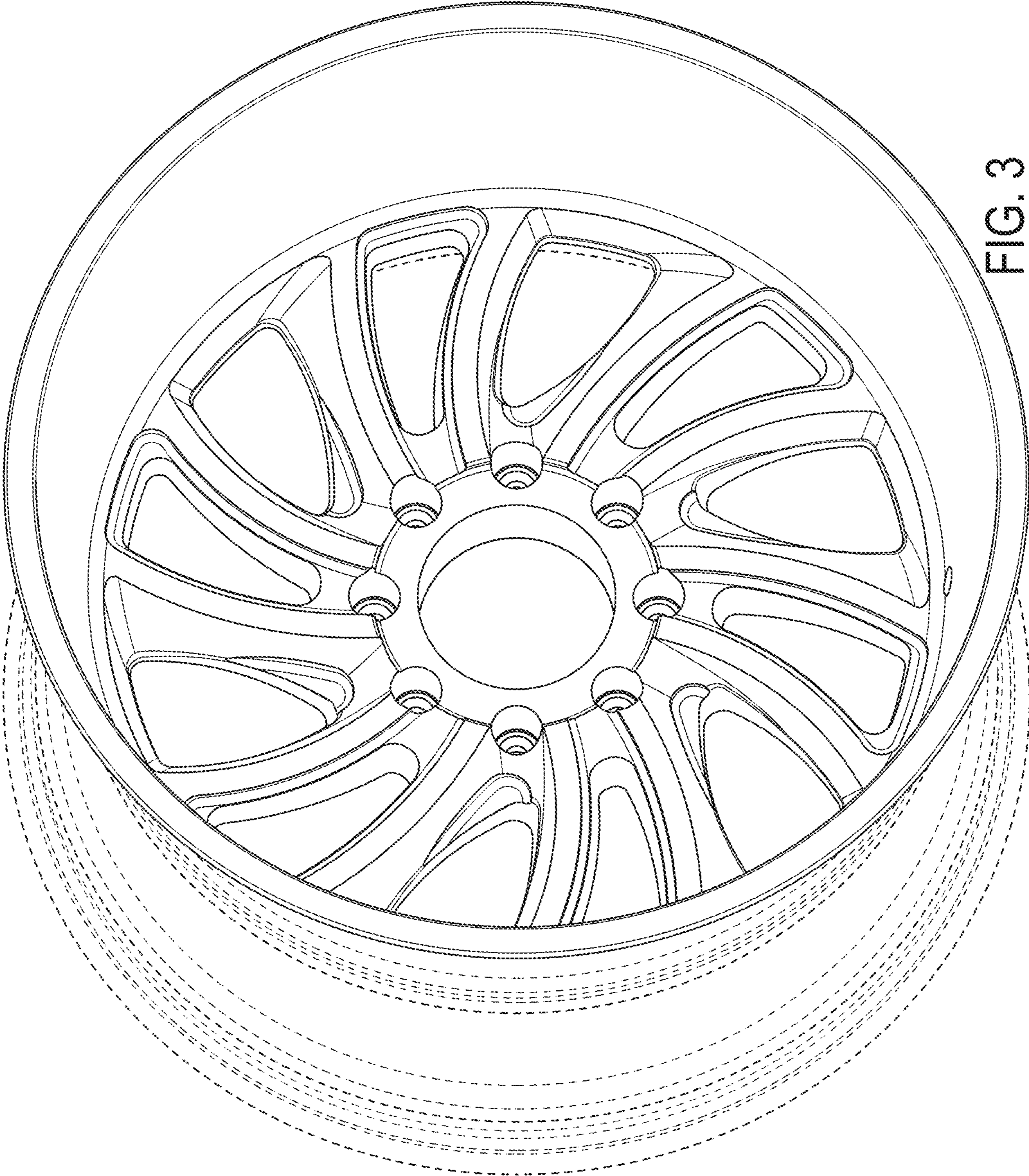


FIG. 3

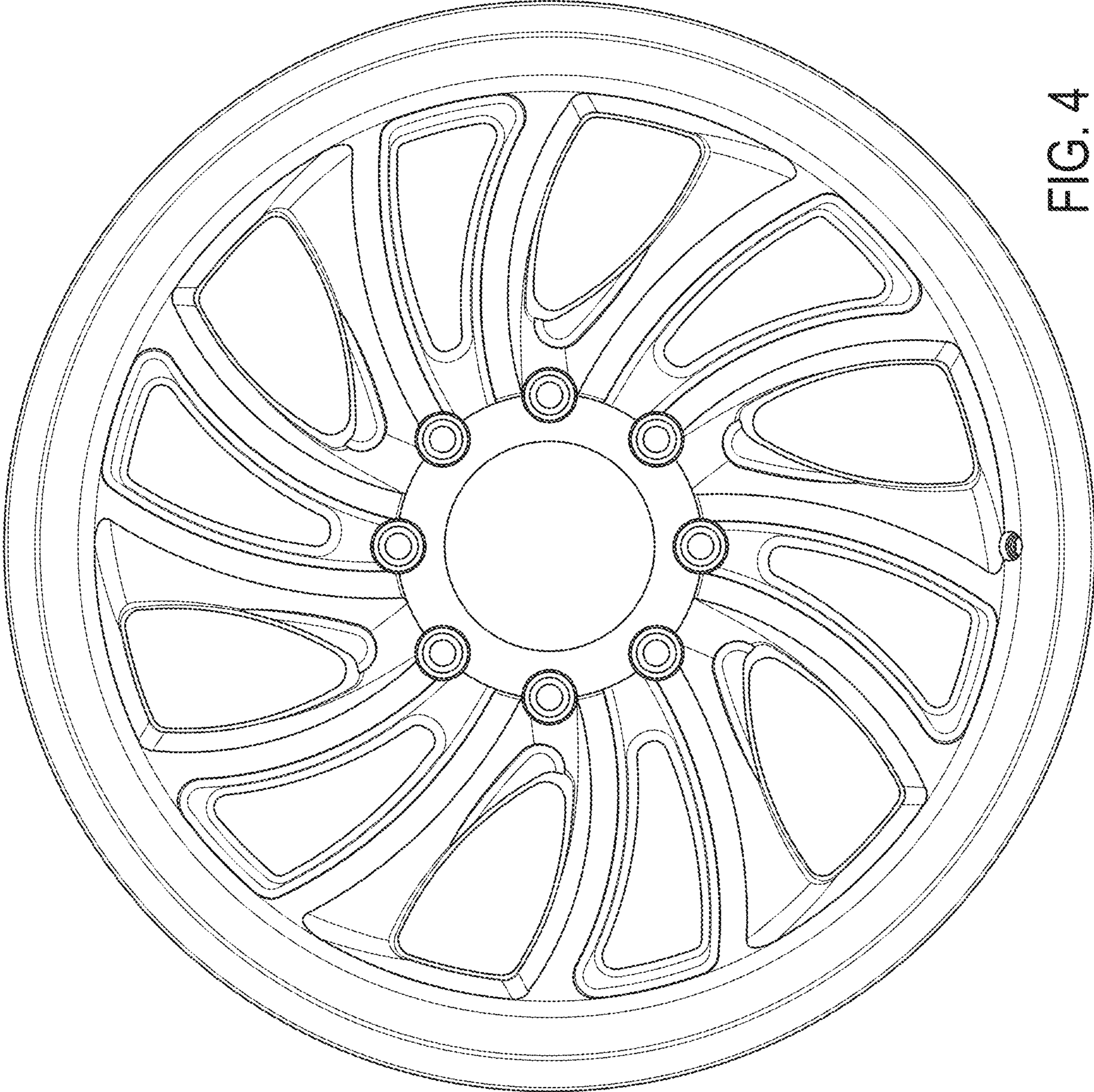


FIG. 4