



US00D889368S

(12) **United States Design Patent**  
**Lee**

(10) **Patent No.:** **US D889,368 S**  
(45) **Date of Patent:** **\*\* Jul. 7, 2020**

- (54) **AUTOMOTIVE WHEEL**
- (71) Applicant: **MKW Alloy, Inc.**, City of Industry, CA (US)
- (72) Inventor: **Kevin Lee**, Yorba Linda, CA (US)
- (73) Assignee: **MKW ALLOY, INC.**, City of Industry, CA (US)

D838,647 S *	1/2019	Han	.....	D12/209
D840,900 S *	2/2019	Licklitter	.....	D12/211
D842,186 S *	3/2019	Kong	.....	D12/209
D846,478 S *	4/2019	Kovacs	.....	D12/209
D856,255 S *	8/2019	Johnson	.....	D12/209
D857,592 S *	8/2019	Han	.....	D12/209
D860,914 S *	9/2019	Han	.....	D12/211
D870,630 S *	12/2019	Ash	.....	D12/209
D870,632 S *	12/2019	Ash	.....	D12/209
D877,676 S *	3/2020	Lee	.....	D12/209

(\*\*) Term: **15 Years**

\* cited by examiner

(21) Appl. No.: **29/696,680**

*Primary Examiner* — Stacia A Cadmus

(22) Filed: **Jun. 28, 2019**

(74) *Attorney, Agent, or Firm* — Ahn IP Law

(51) **LOC (12) Cl.** ..... **12-16**

(57) **CLAIM**

(52) **U.S. Cl.**  
USPC ..... **D12/209**

The ornamental design for an automotive wheel, as shown and described.

(58) **Field of Classification Search**  
USPC ..... D12/204–213; D21/563  
CPC .... B60B 7/00; B60B 7/02; B60B 7/04; B60B 7/01; B60B 7/06; B60B 3/02; B60B 3/04; B60B 3/06; B60B 3/10; B60B 1/00; B60B 1/08; B60B 1/10; B60B 1/12  
See application file for complete search history.

**DESCRIPTION**

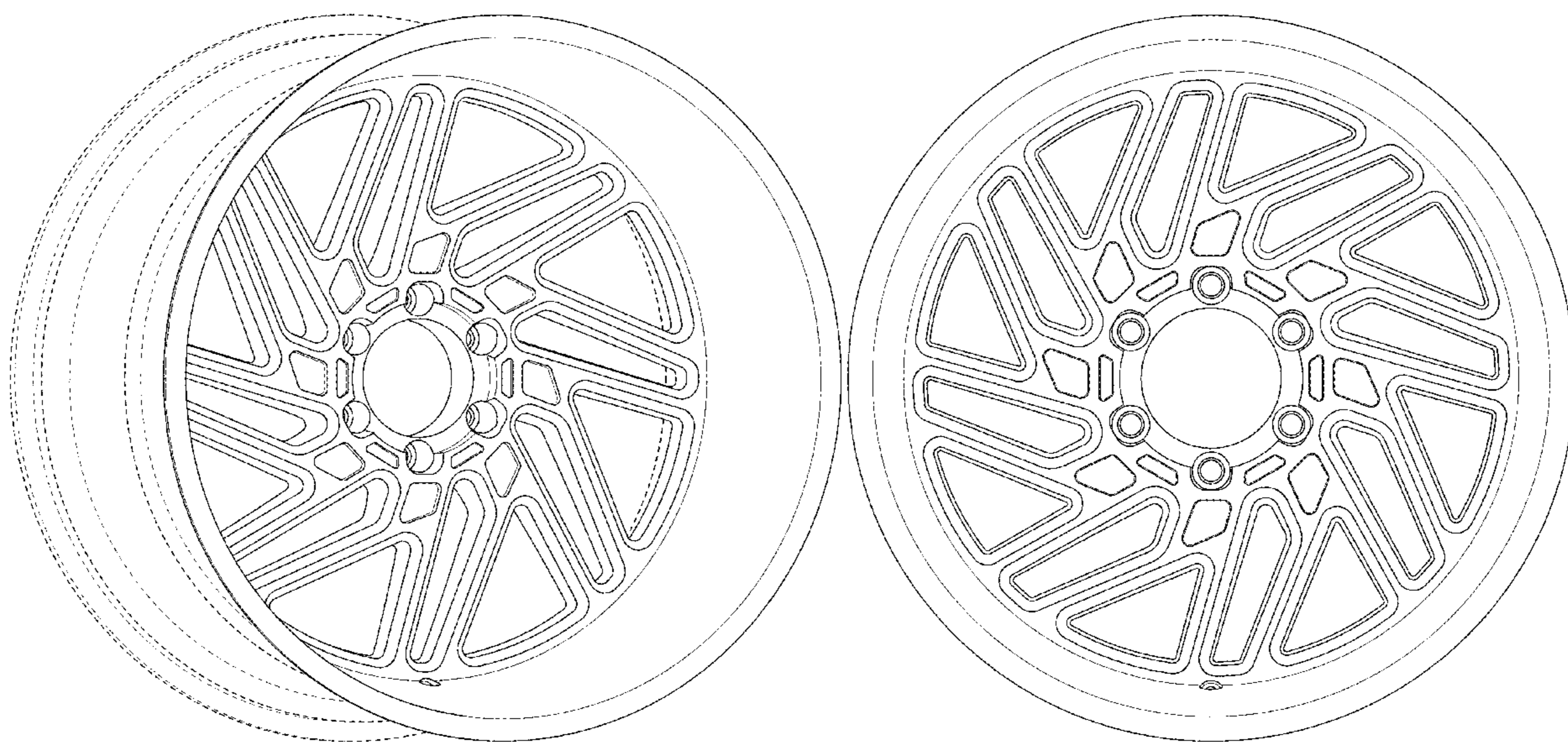
(56) **References Cited**

FIG. 1 is a perspective view of an automotive wheel, showing my new design;  
FIG. 2 is a front view thereof;  
FIG. 3 is a perspective view of a second embodiment of an automotive wheel, showing my new design; and,  
FIG. 4 is a front view of the wheel shown in FIG. 3.  
The broken lines shown in the figures are included for the purpose of illustrating the environment and form no part of the claimed design.

**U.S. PATENT DOCUMENTS**

D817,843 S *	5/2018	Hale, Jr.	.....	D12/209
D833,943 S *	11/2018	Chung	.....	D12/209

**1 Claim, 4 Drawing Sheets**



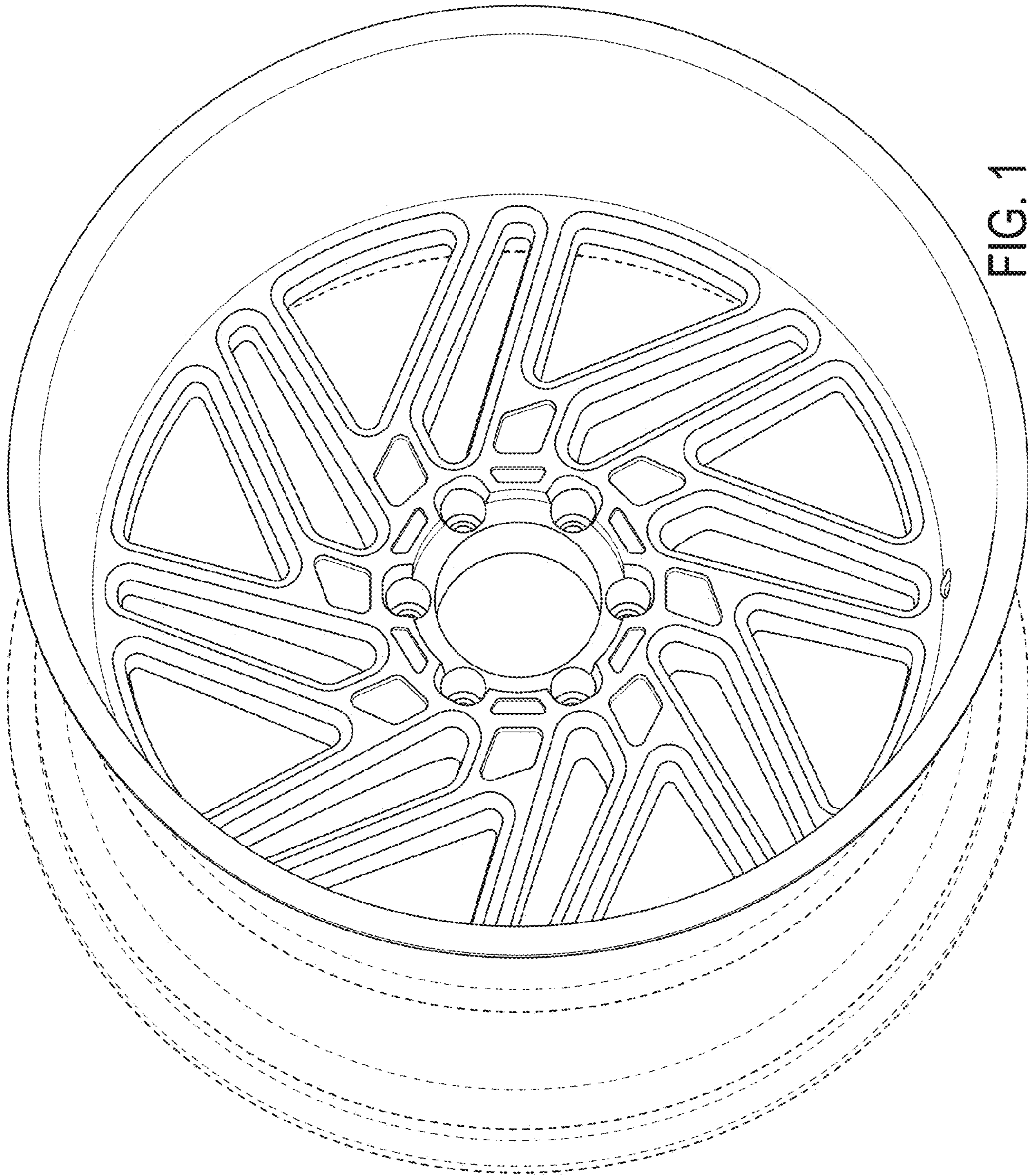


FIG. 1

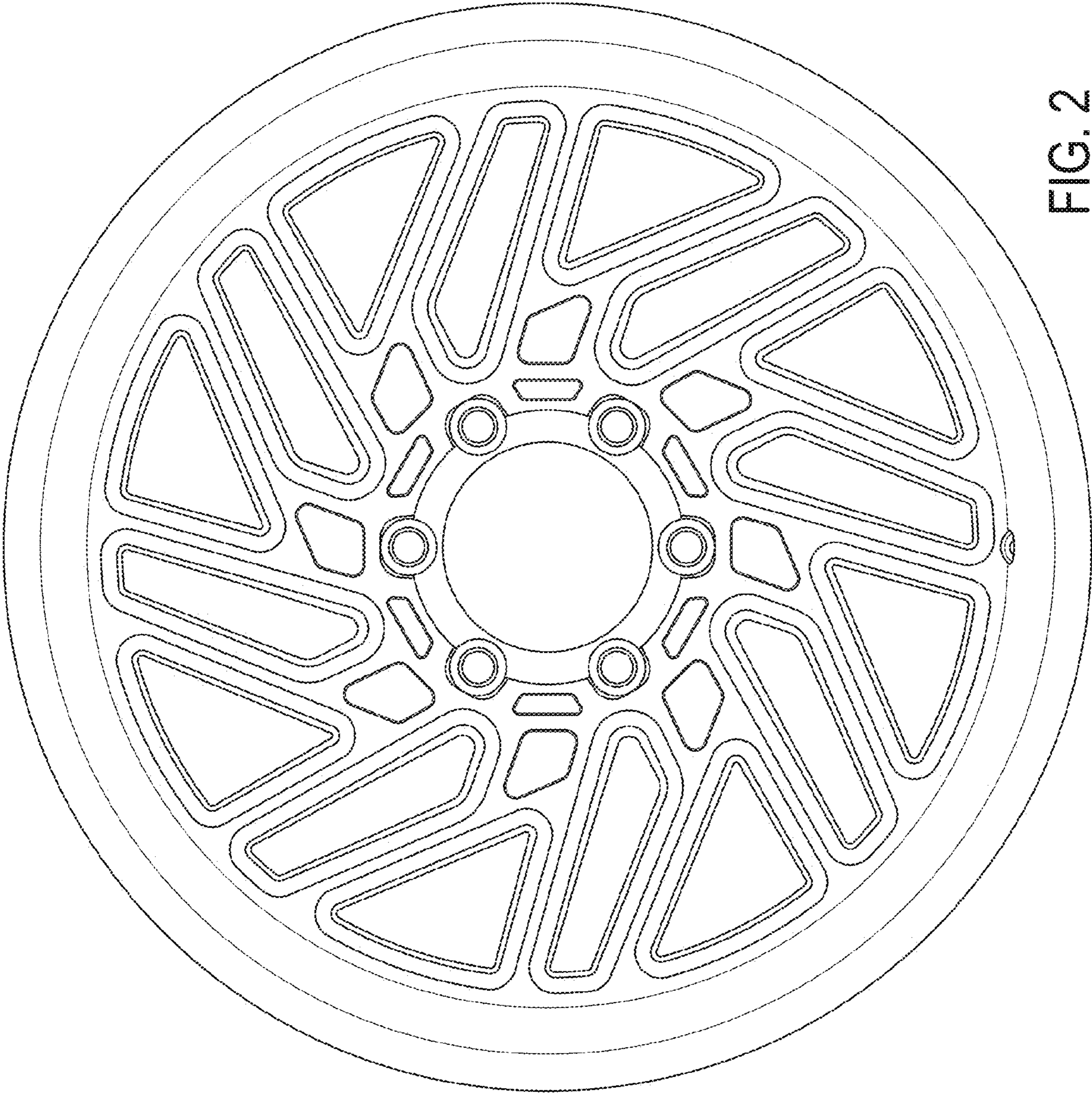


FIG. 2

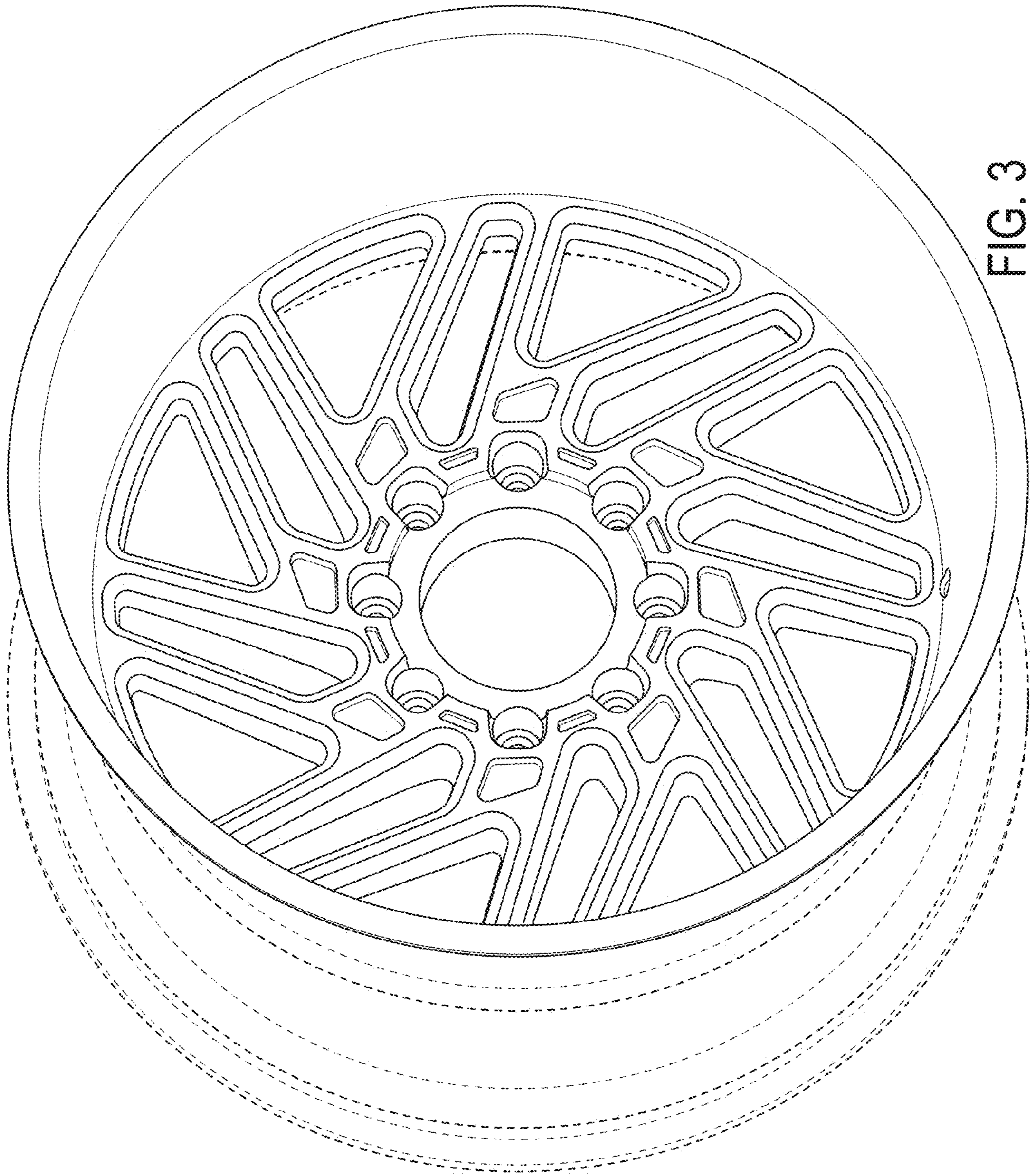


FIG. 3

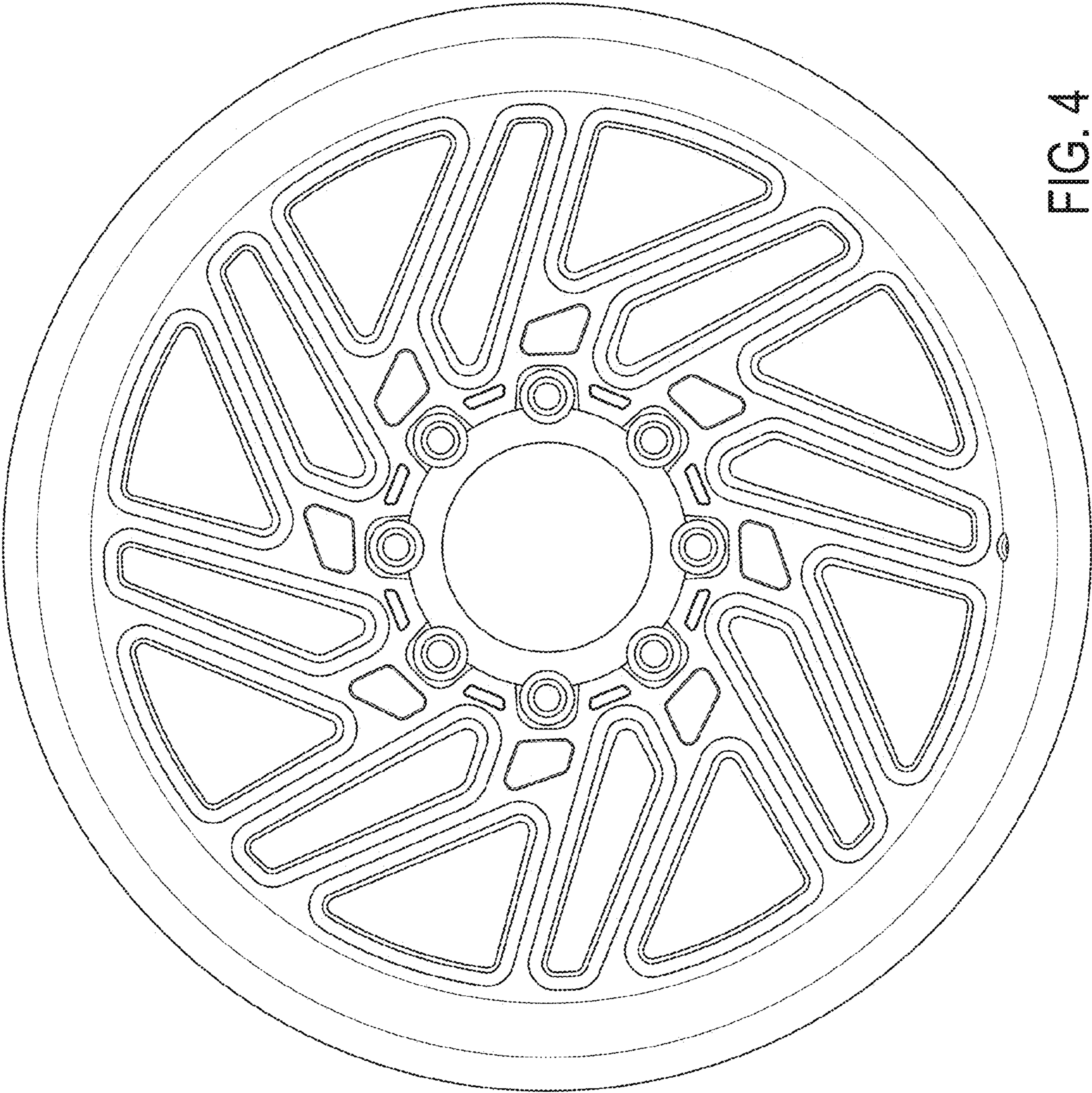


FIG. 4