



US00D889365S

(12) **United States Design Patent**  
**Han**

(10) **Patent No.:** **US D889,365 S**  
(45) **Date of Patent:** **\*\* Jul. 7, 2020**

- (54) **AUTOMOTIVE WHEEL**
- (71) Applicant: **Donnie Han**, Corona, CA (US)
- (72) Inventor: **Donnie Han**, Corona, CA (US)
- (\*\*) Term: **15 Years**
- (21) Appl. No.: **29/693,795**
- (22) Filed: **Jun. 5, 2019**
- (51) **LOC (12) Cl.** ..... **12-16**
- (52) **U.S. Cl.**  
USPC ..... **D12/209**
- (58) **Field of Classification Search**  
USPC ..... D12/204-213; D21/563  
CPC .... B60B 7/00; B60B 7/02; B60B 7/04; B60B 7/01; B60B 7/06; B60B 3/02; B60B 3/04; B60B 3/06; B60B 3/10; B60B 1/00; B60B 1/08; B60B 1/10; B60B 1/12  
See application file for complete search history.

- (56) **References Cited**  
**U.S. PATENT DOCUMENTS**  
D450,030 S \* 11/2001 Pfeiffer ..... D12/211  
D582,830 S \* 12/2008 Musser ..... D12/211  
D660,220 S \* 5/2012 Chan ..... D12/211

D724,515 S *	3/2015	Chung	.....	D12/209
D780,662 S *	3/2017	Zhao	.....	D12/211
D786,160 S *	5/2017	Youssef	.....	D12/211
D806,630 S *	1/2018	McMath	.....	D12/211
D824,834 S *	8/2018	Licklitter	.....	D12/211
D826,827 S *	8/2018	Tran	.....	D12/209
D828,271 S *	9/2018	Han	.....	D12/211
D830,278 S *	10/2018	Aslam	.....	D12/213
D835,021 S *	12/2018	Sempek	.....	D12/209
D847,718 S *	5/2019	Han	.....	D12/209
D852,714 S *	7/2019	Hale, Jr.	.....	D12/213
D857,595 S *	8/2019	Luo	.....	D12/211
D860,908 S *	9/2019	Han	.....	D12/209
D865,615 S *	11/2019	Tran	.....	D12/209
D865,623 S *	11/2019	Han	.....	D12/209

\* cited by examiner

*Primary Examiner* — Stacia A Cadmus

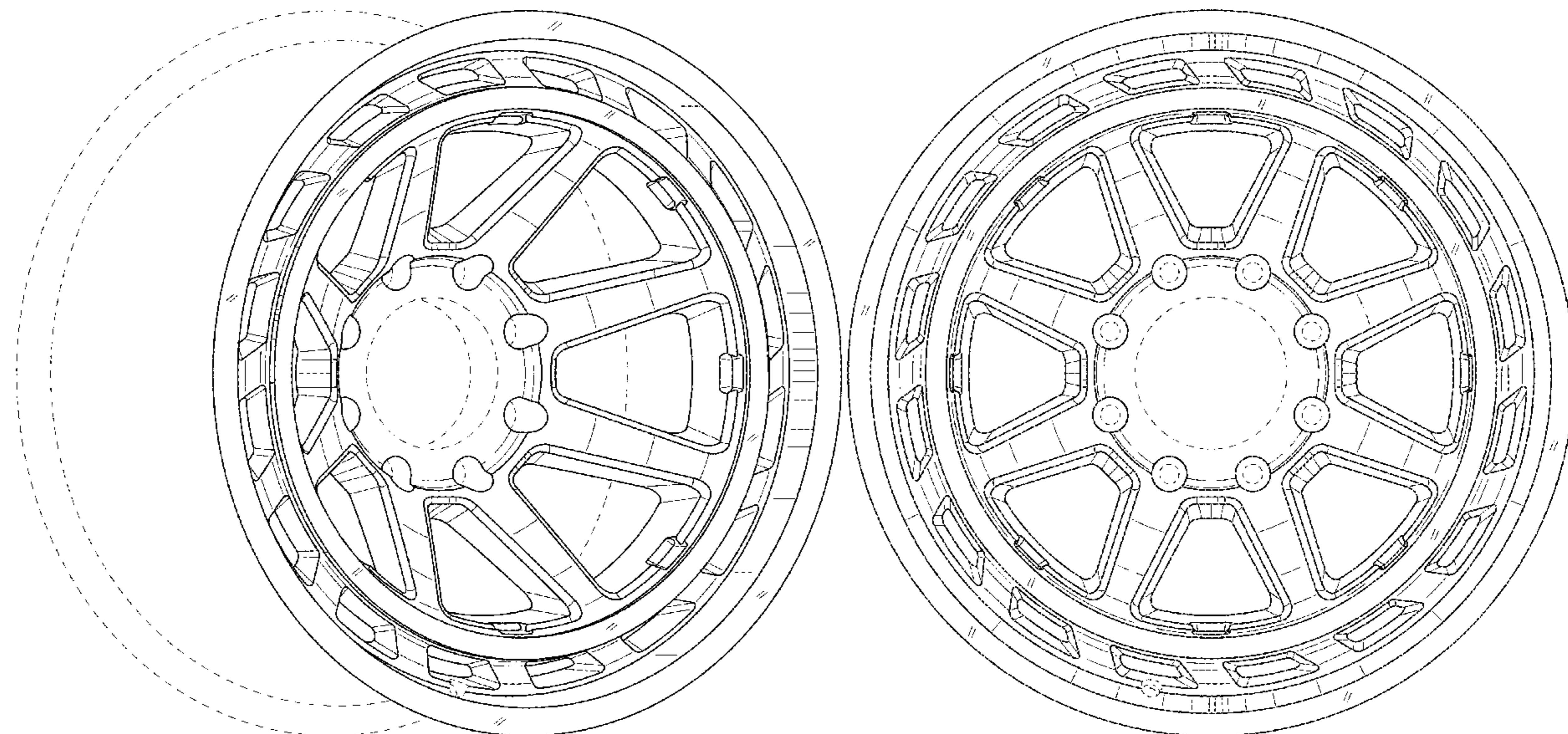
(57) **CLAIM**

The ornamental design for an automotive wheel, as shown and described.

**DESCRIPTION**

FIG. 1 is a perspective view of an automotive wheel, showing my new design; and, FIG. 2 is a front view thereof. In the drawings, the broken lines depict environmental subject matter and form no part of the claimed design.

**1 Claim, 2 Drawing Sheets**



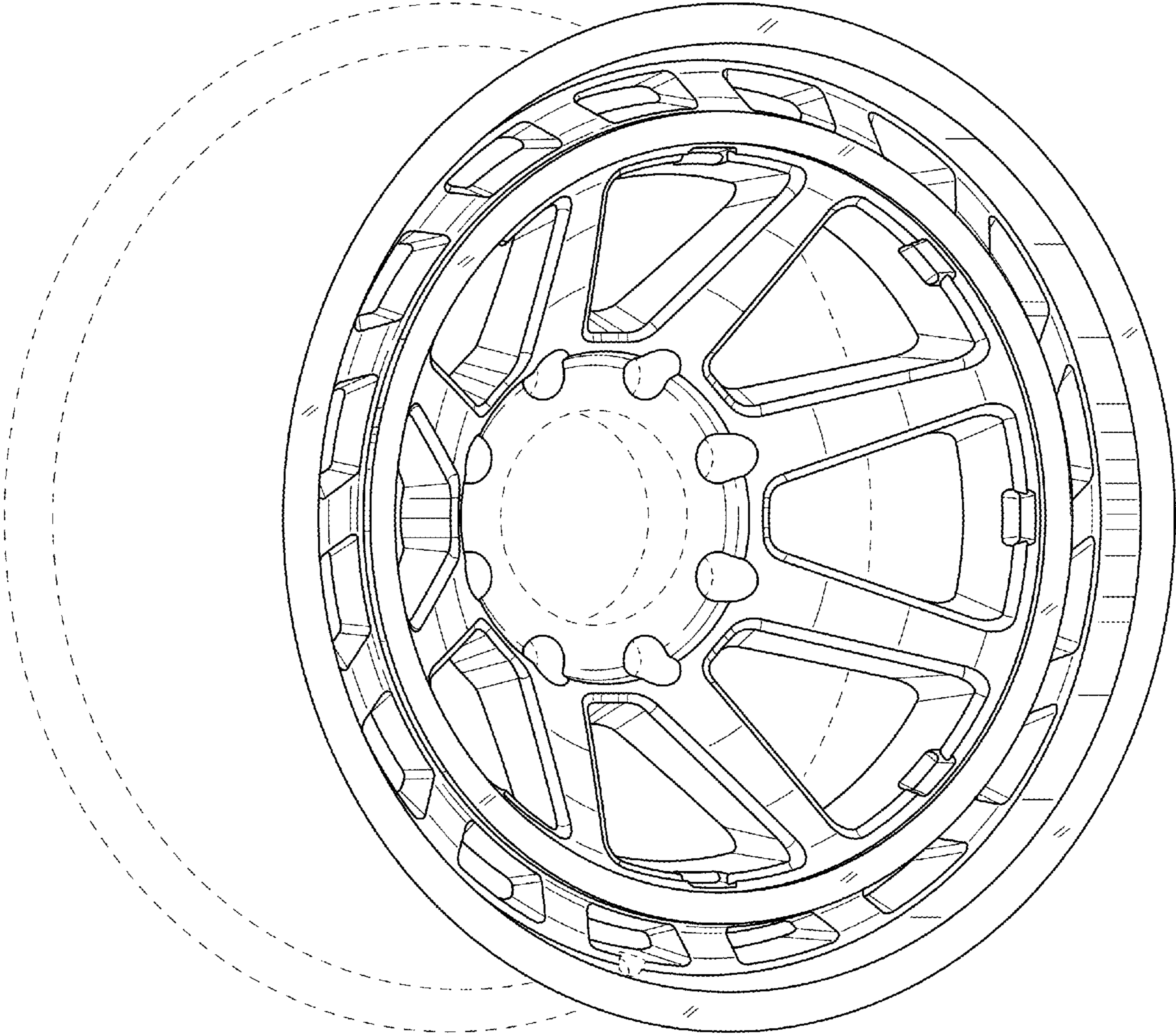


FIGURE 1



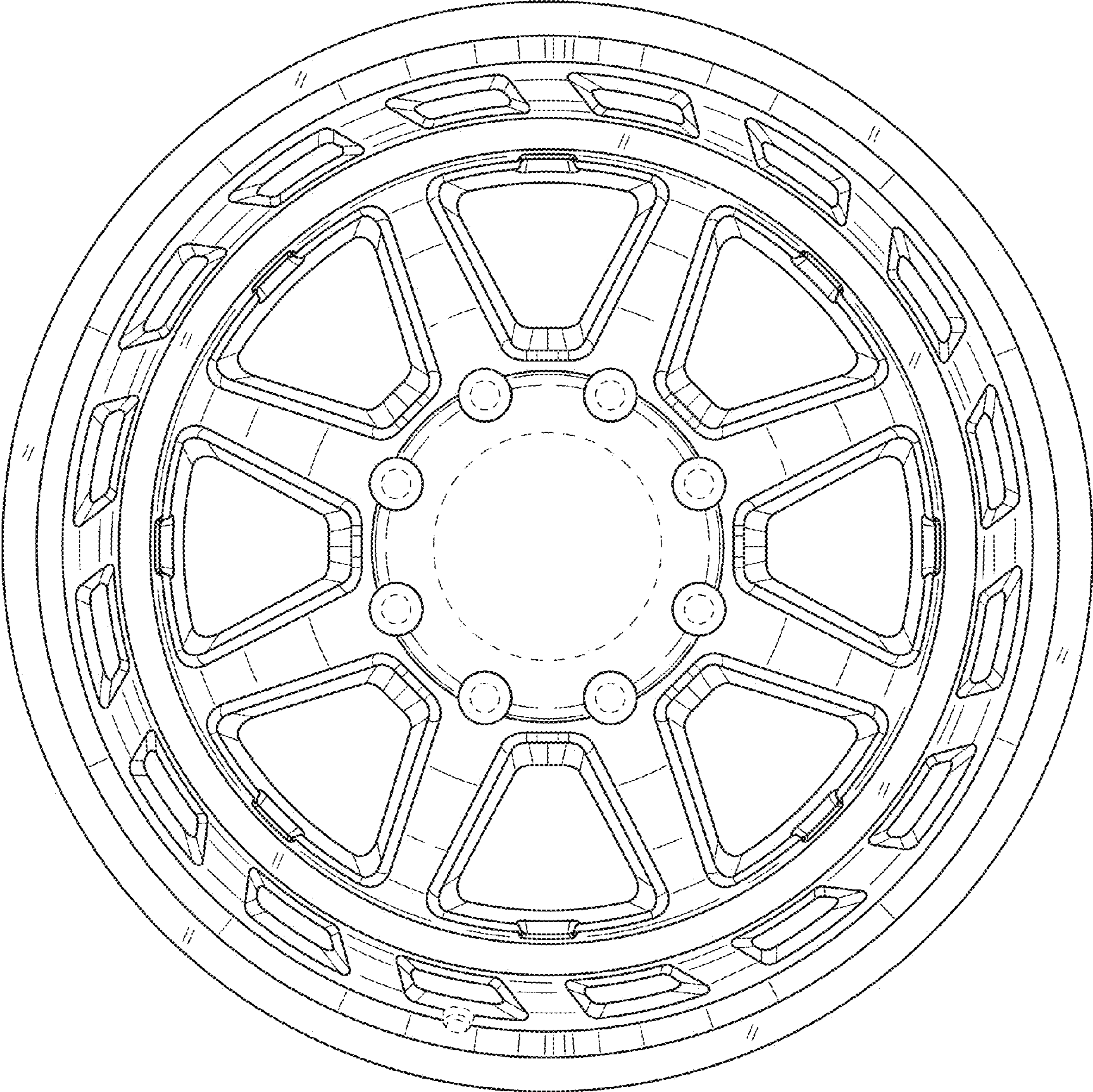


FIGURE 2