



US00D889364S

(12) **United States Design Patent**
Han

(10) **Patent No.:** **US D889,364 S**
(45) **Date of Patent:** **** Jul. 7, 2020**

(54) **AUTOMOTIVE WHEEL**

(71) Applicant: **Donnie Han**, Corona, CA (US)

(72) Inventor: **Donnie Han**, Corona, CA (US)

(**) Term: **15 Years**

(21) Appl. No.: **29/690,969**

(22) Filed: **May 13, 2019**

(51) **LOC (12) Cl.** **12-16**

(52) **U.S. Cl.**
USPC **D12/209**

(58) **Field of Classification Search**
USPC D12/204–213; D21/563
CPC B60B 7/00; B60B 7/02; B60B 7/04; B60B 7/01; B60B 7/06; B60B 3/02; B60B 3/04; B60B 3/06; B60B 3/10; B60B 1/00; B60B 1/08; B60B 1/10; B60B 1/12
See application file for complete search history.

(56) **References Cited**

U.S. PATENT DOCUMENTS

D405,409 S * 2/1999 Baumgartner D12/211
D406,092 S * 2/1999 Baumgartner D12/211
D454,327 S * 3/2002 Bux D12/211

D595,632 S * 7/2009 Hernandez D12/211
D760,142 S * 6/2016 Chu D12/211
D778,799 S * 2/2017 Gallert D12/211
D786,766 S * 5/2017 Rueckheim D12/209
D825,423 S * 8/2018 Henderson D12/209
D830,933 S * 10/2018 Zhao D12/209
D830,935 S * 10/2018 Zhao D12/209
D831,555 S * 10/2018 Zhao D12/209
D836,527 S * 12/2018 Groth D12/211
D840,895 S * 2/2019 Luo D12/209
D865,624 S * 11/2019 Han D12/209
D867,255 S * 11/2019 Tian D12/209
2002/0158504 A1 * 10/2002 Ito B60B 3/06
301/65

* cited by examiner

Primary Examiner — Stacia A Cadmus

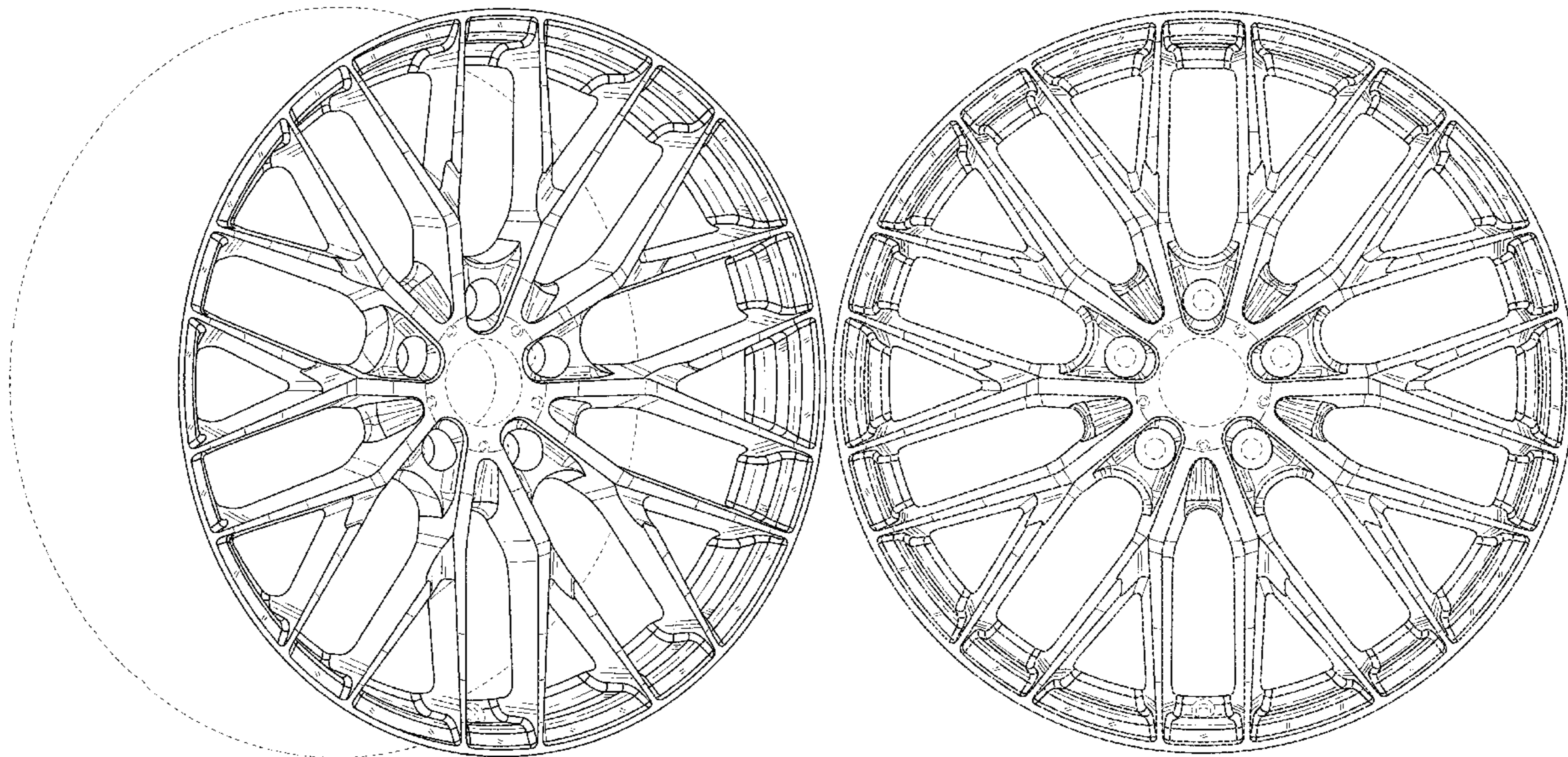
(57) **CLAIM**

The ornamental design for an automotive wheel, as shown and described.

DESCRIPTION

FIG. 1 is a perspective view of an automotive wheel, showing my new design; and, FIG. 2 is a front view thereof. In the drawings, the broken lines depict environmental subject matter and form no part of the claimed design.

1 Claim, 2 Drawing Sheets



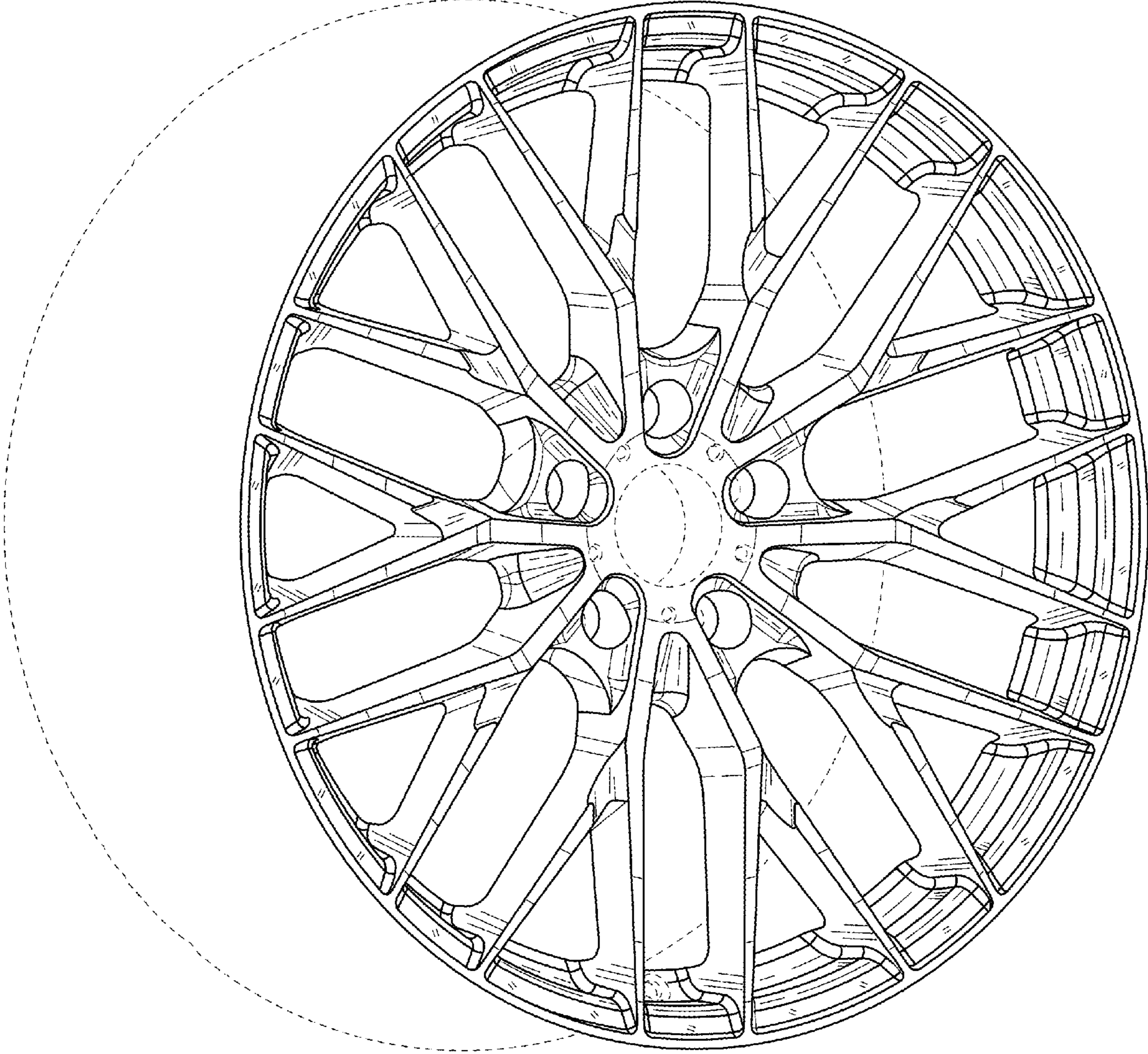


FIGURE 1

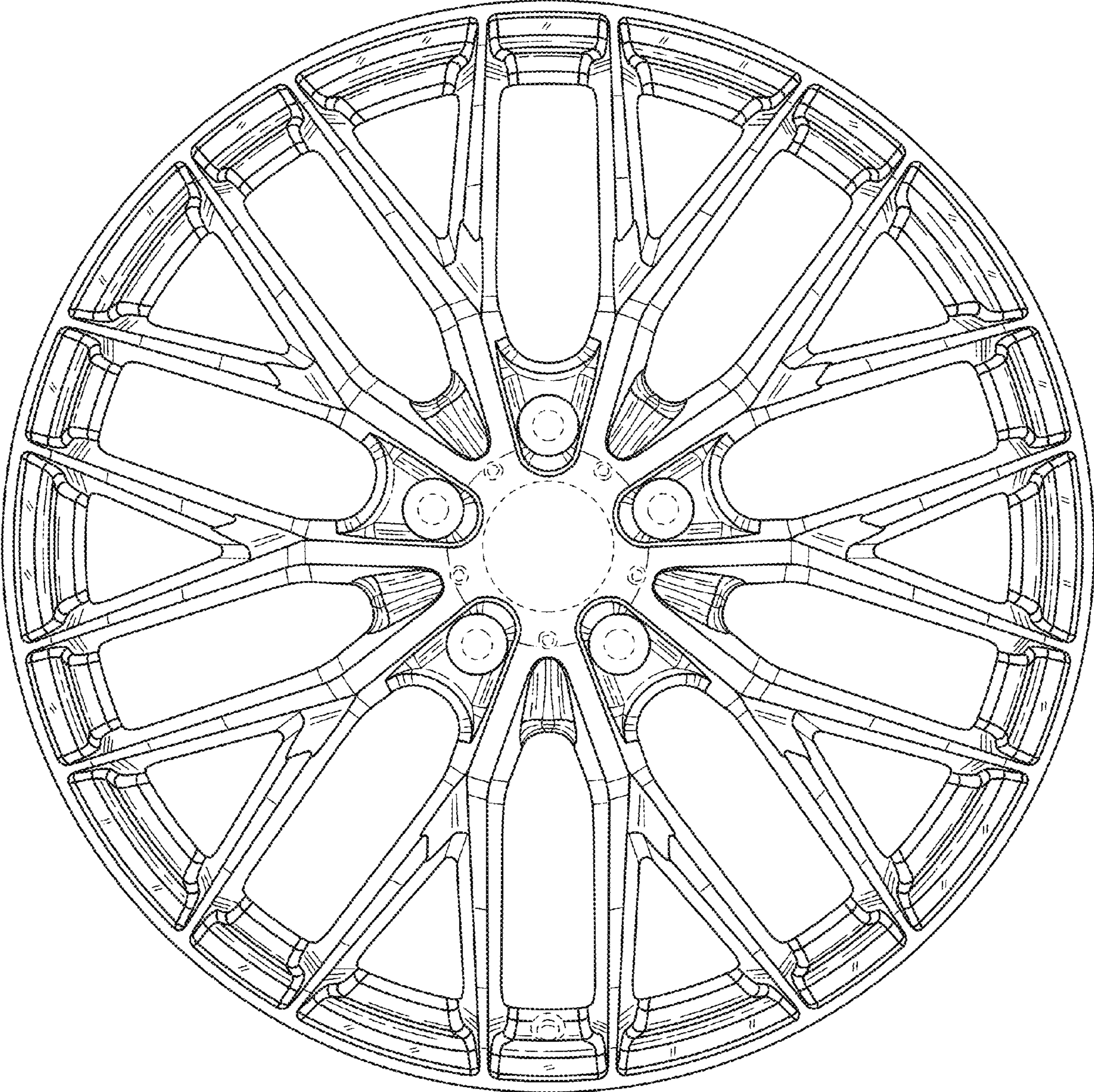


FIGURE 2