



US00D889359S

(12) **United States Design Patent**
Gillam et al.

(10) **Patent No.:** **US D889,359 S**

(45) **Date of Patent:** **** Jul. 7, 2020**

(54) **WHEEL**

(71) Applicants: **Michael C. Gillam**, Oxford, MI (US);
Gregory A. Howell, Farmington, MI (US)

(72) Inventors: **Michael C. Gillam**, Oxford, MI (US);
Gregory A. Howell, Farmington, MI (US)

(73) Assignee: **FCA US LLC**, Auburn Hills, MI (US)

(**) Term: **15 Years**

(21) Appl. No.: **29/679,574**

(22) Filed: **Feb. 7, 2019**

(51) **LOC (12) Cl.** **12-16**

(52) **U.S. Cl.**
USPC **D12/209**

(58) **Field of Classification Search**
USPC D12/204–213; D21/563
CPC B60B 7/00; B60B 7/02; B60B 7/04; B60B 7/01;
B60B 7/06; B60B 3/02; B60B 3/04; B60B 3/06; B60B 3/10; B60B 1/00;
B60B 1/08; B60B 1/10; B60B 1/12
See application file for complete search history.

(56) **References Cited**

U.S. PATENT DOCUMENTS

D465,186 S * 11/2002 Chung D12/211
D495,649 S * 9/2004 Schell D12/209

D526,265 S * 8/2006 Muzzarelli D12/209
D579,397 S * 10/2008 Osborne D12/211
D581,338 S * 11/2008 Imai D12/209
D620,420 S * 7/2010 Lamm D12/209
D678,161 S * 3/2013 Claunch D12/209
D683,684 S * 6/2013 Campbell D12/209
D686,960 S * 7/2013 Claunch D12/209
D712,330 S * 9/2014 Chung D12/209
D715,719 S * 10/2014 Platto D12/209
D732,449 S * 6/2015 Grake D12/209
D756,281 S * 5/2016 Chung D12/209
D781,197 S * 3/2017 Ninov D12/209
D781,201 S * 3/2017 Ninov D12/209
D792,312 S * 7/2017 Wilson D12/211
D820,184 S * 6/2018 Bucher D12/209
D865,612 S * 11/2019 Interrante D12/209

* cited by examiner

Primary Examiner — Stacia A Cadmus

(74) *Attorney, Agent, or Firm* — Ralph E. Smith

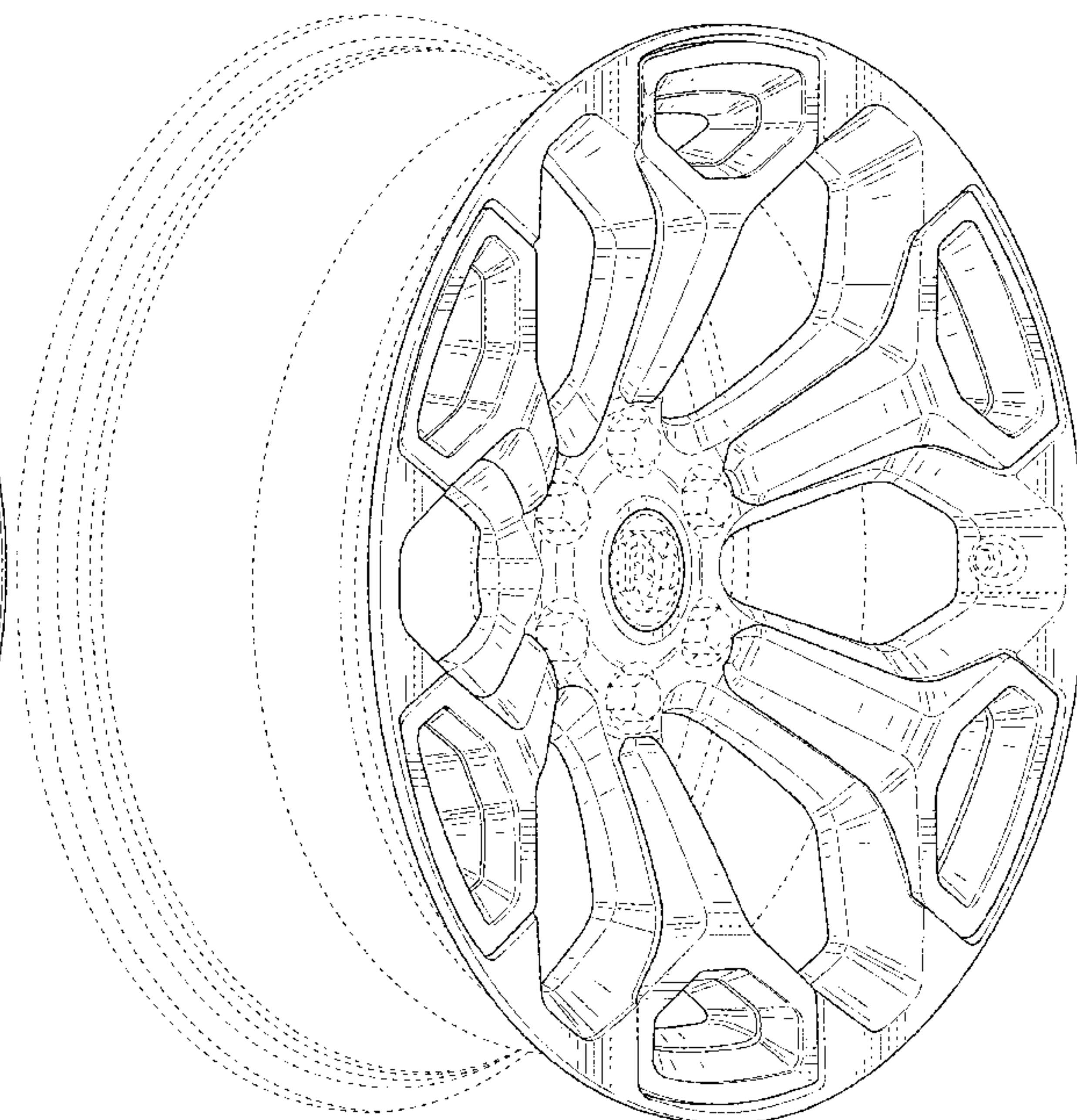
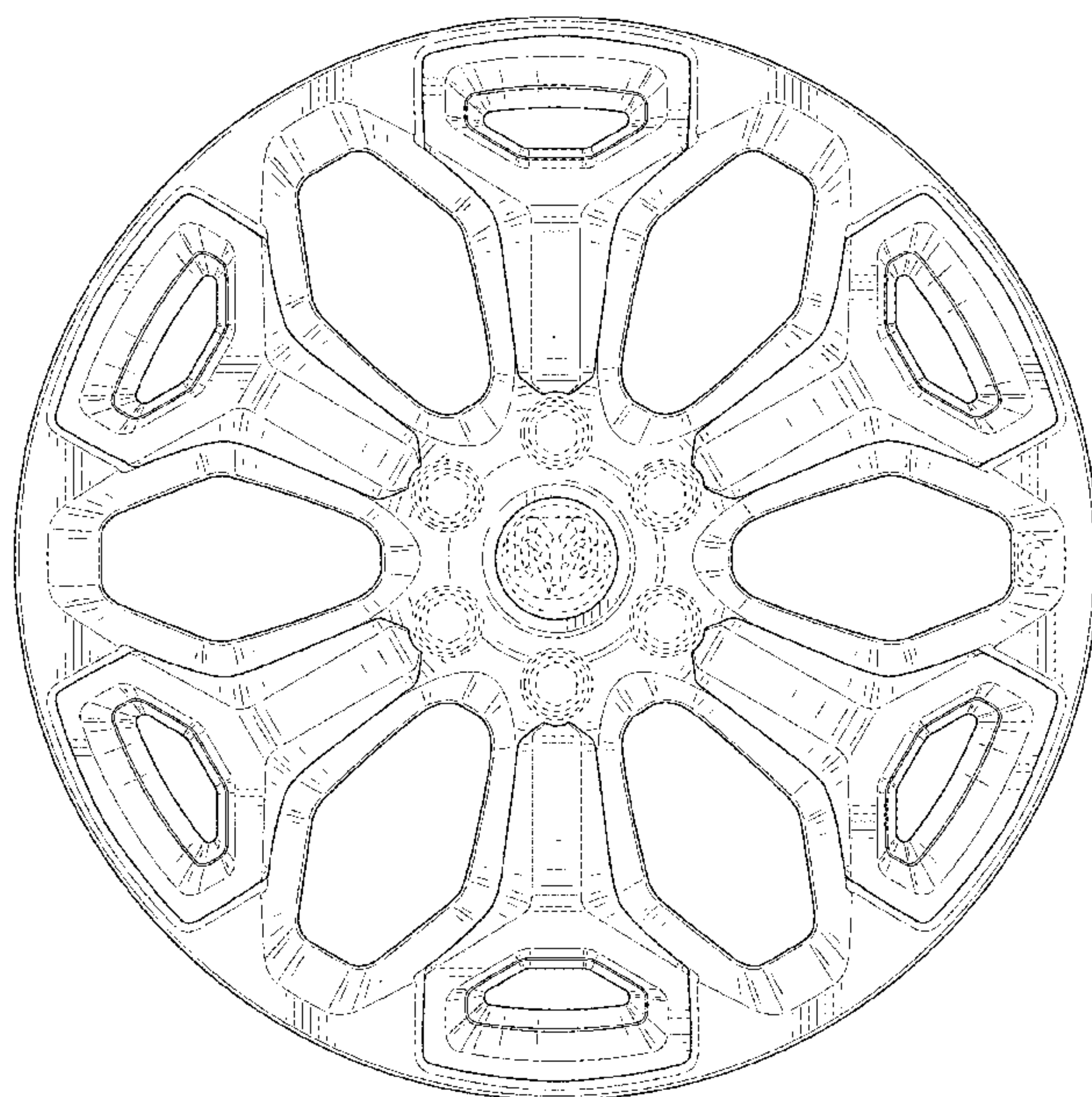
(57) **CLAIM**

The ornamental design for a wheel, as shown and described.

DESCRIPTION

FIG. 1 is a front view of a wheel showing our new design; FIG. 2 is a right perspective view thereof; and, FIG. 3 is a left perspective view thereof. It will be understood that the broken lines shown in the drawings illustrate portions of the wheel that form no part of the claimed design.

1 Claim, 3 Drawing Sheets



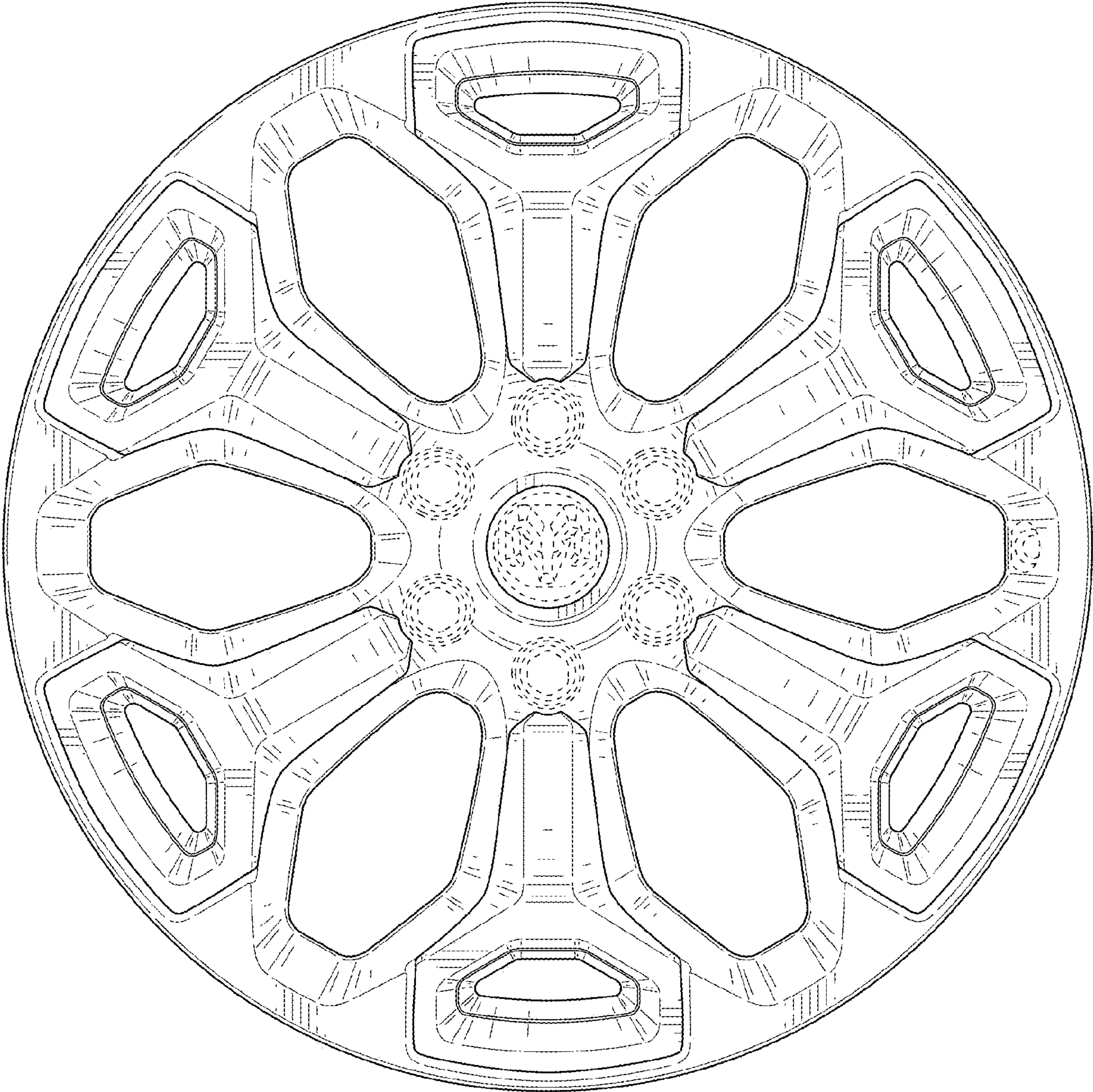


FIG. 1

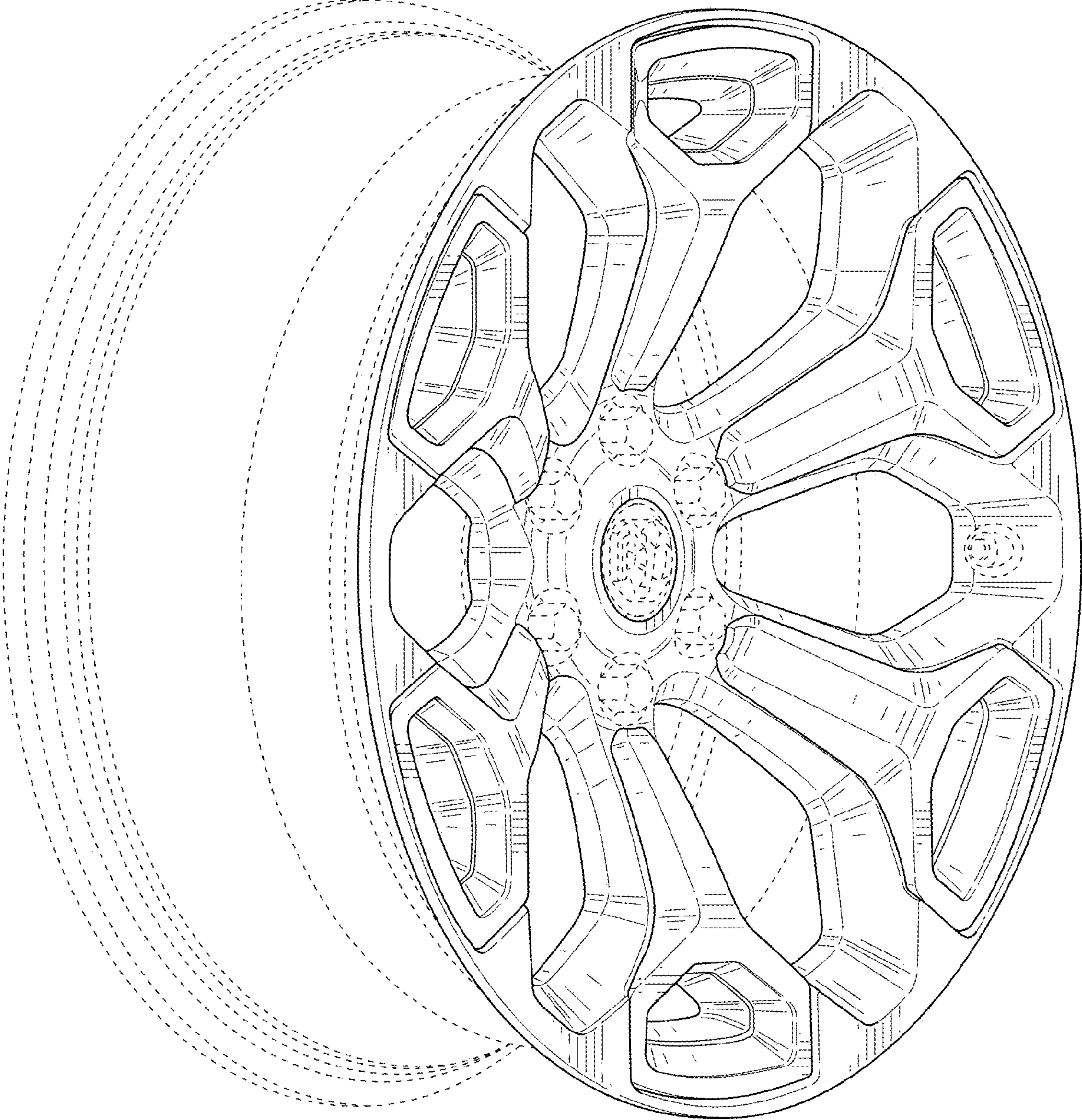


FIG. 2

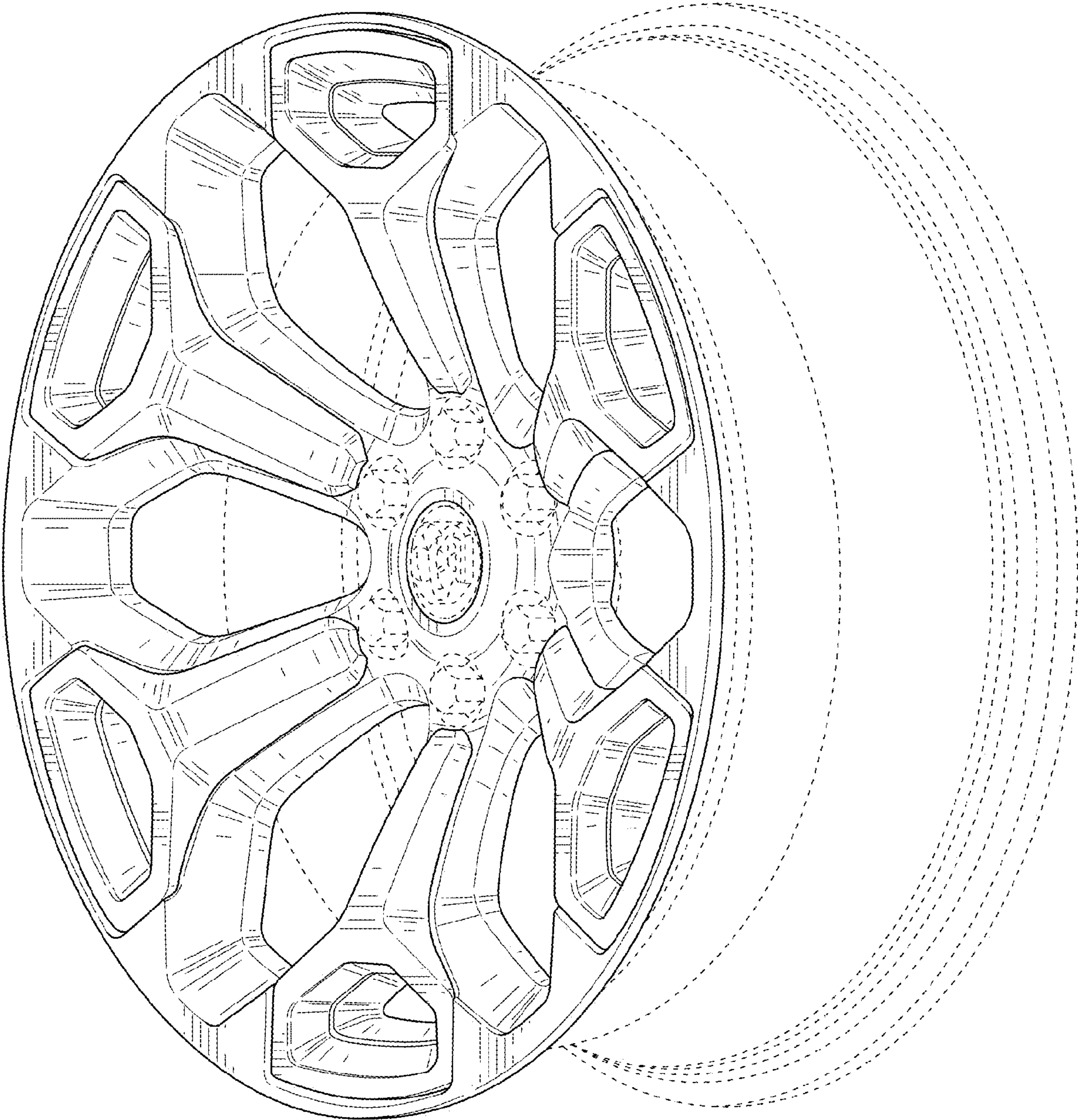


FIG. 3