



US00D889357S

(12) **United States Design Patent**
Lee

(10) **Patent No.:** **US D889,357 S**
(45) **Date of Patent:** **** Jul. 7, 2020**

- (54) **AUTOMOTIVE WHEEL**
- (71) Applicant: **MKW Alloy, Inc.**, City of Industry, CA (US)
- (72) Inventor: **Kevin Lee**, Yorba Linda, CA (US)
- (73) Assignee: **MKW ALLOY, INC.**, City of Industry, CA (US)
- (**) Term: **15 Years**
- (21) Appl. No.: **29/673,469**
- (22) Filed: **Dec. 14, 2018**
- (51) **LOC (12) Cl.** **12-16**
- (52) **U.S. Cl.**
USPC **D12/209**
- (58) **Field of Classification Search**
USPC D12/204–213; D21/563
CPC B60B 7/00; B60B 7/02; B60B 7/04; B60B 7/01; B60B 7/06; B60B 3/02; B60B 3/04; B60B 3/06; B60B 1/00; B60B 1/08; B60B 1/10; B60B 1/12
See application file for complete search history.

- (56) **References Cited**
U.S. PATENT DOCUMENTS
D539,721 S * 4/2007 Ettensberger D12/209
D592,119 S * 5/2009 Heizmann D12/211
D593,022 S * 5/2009 Forster D12/211
D663,672 S * 7/2012 Platto D12/211
D673,103 S * 12/2012 Song D12/211

D674,331 S *	1/2013	Feuerherdt	D12/211
D682,763 S *	5/2013	Song	D12/211
D726,627 S *	4/2015	Chung	D12/211
D731,388 S *	6/2015	Gotschke	D12/211
D755,693 S *	5/2016	Lee	D12/209
D758,941 S *	6/2016	Zhao	D12/208
D780,661 S *	3/2017	Zhao	D12/211
D794,531 S *	8/2017	Zhao	D12/211
D805,991 S *	12/2017	Platto	D12/209
D819,537 S *	6/2018	Mueller	D12/211
D862,354 S *	10/2019	Stroda	D12/209
D865,618 S *	11/2019	O'Neill	D12/209
D866,442 S *	11/2019	Celik	D12/211
D870,627 S *	12/2019	Lu	D12/209

* cited by examiner

Primary Examiner — Stacia A Cadmus
(74) *Attorney, Agent, or Firm* — Ahn IP Law

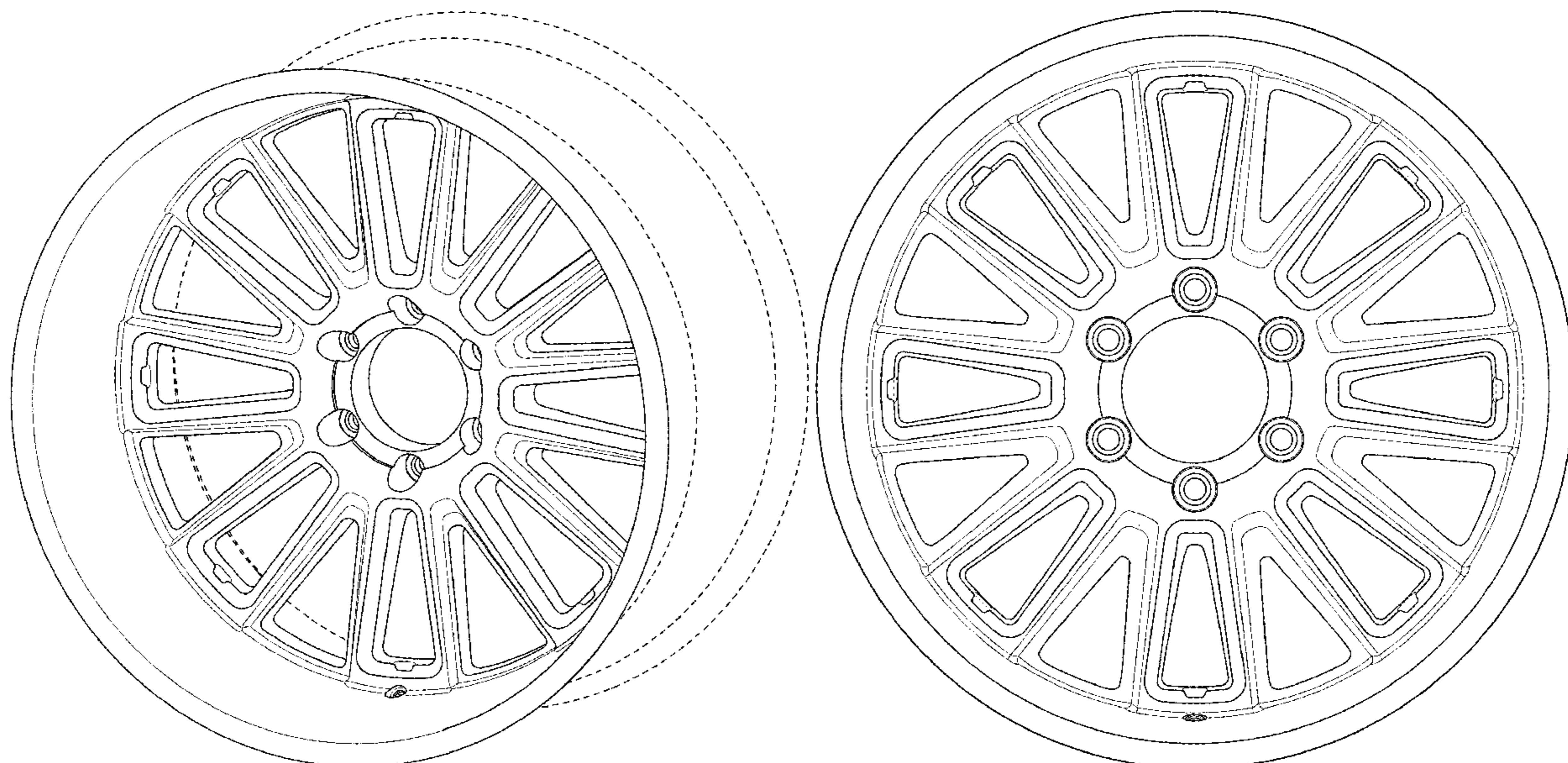
(57) **CLAIM**

The ornamental design for an automotive wheel, as shown and described.

DESCRIPTION

FIG. 1 is a perspective view of an automotive wheel, showing my new design;
FIG. 2 is a front view thereof;
FIG. 3 is a perspective view of a second embodiment of an automotive wheel, showing my new design; and,
FIG. 4 is a front view of the wheel shown in FIG. 3.
The broken lines shown in the figures are included for the purpose of illustrating the environment and form no part of the claimed design.

1 Claim, 4 Drawing Sheets



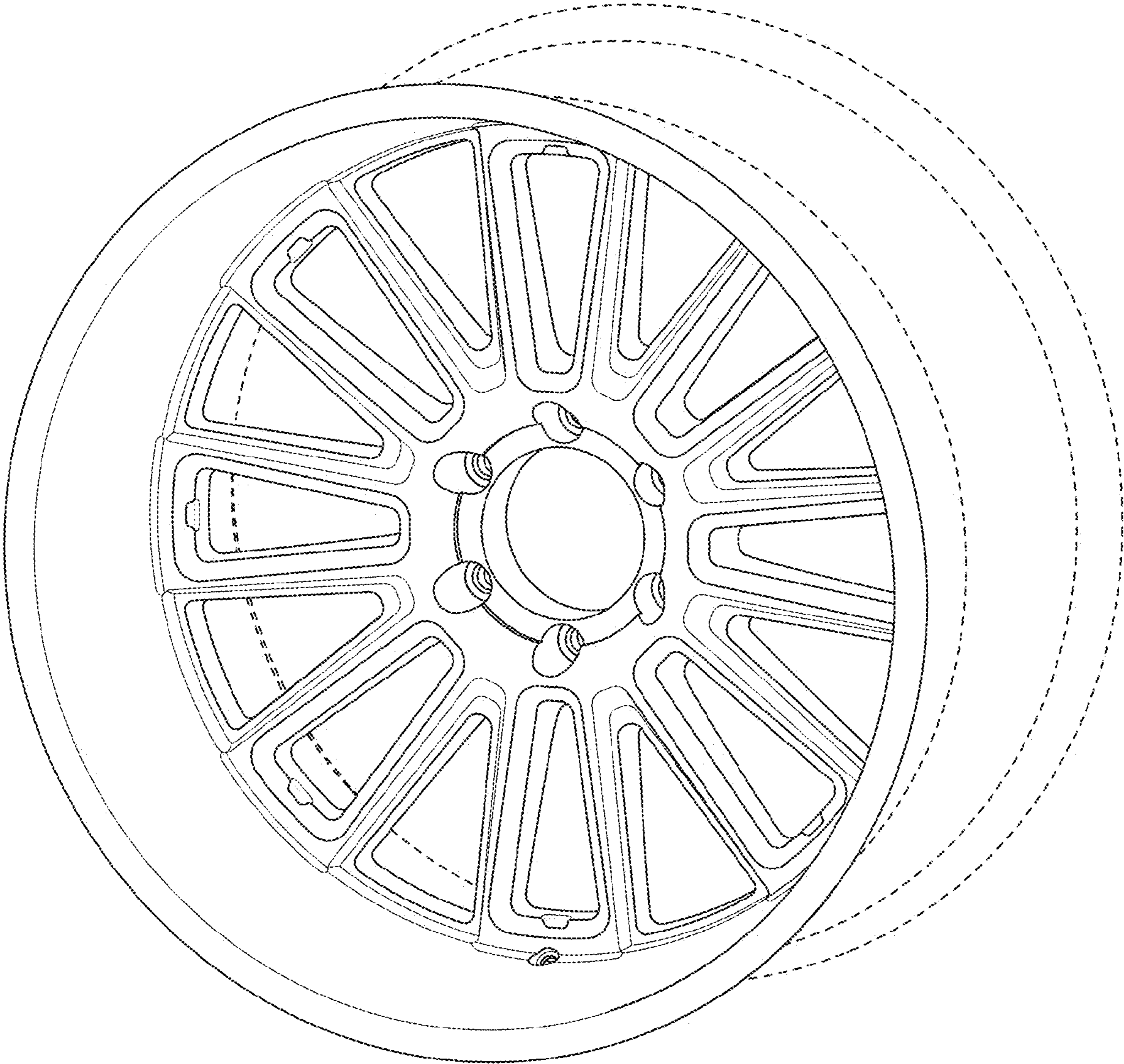


FIG. 1

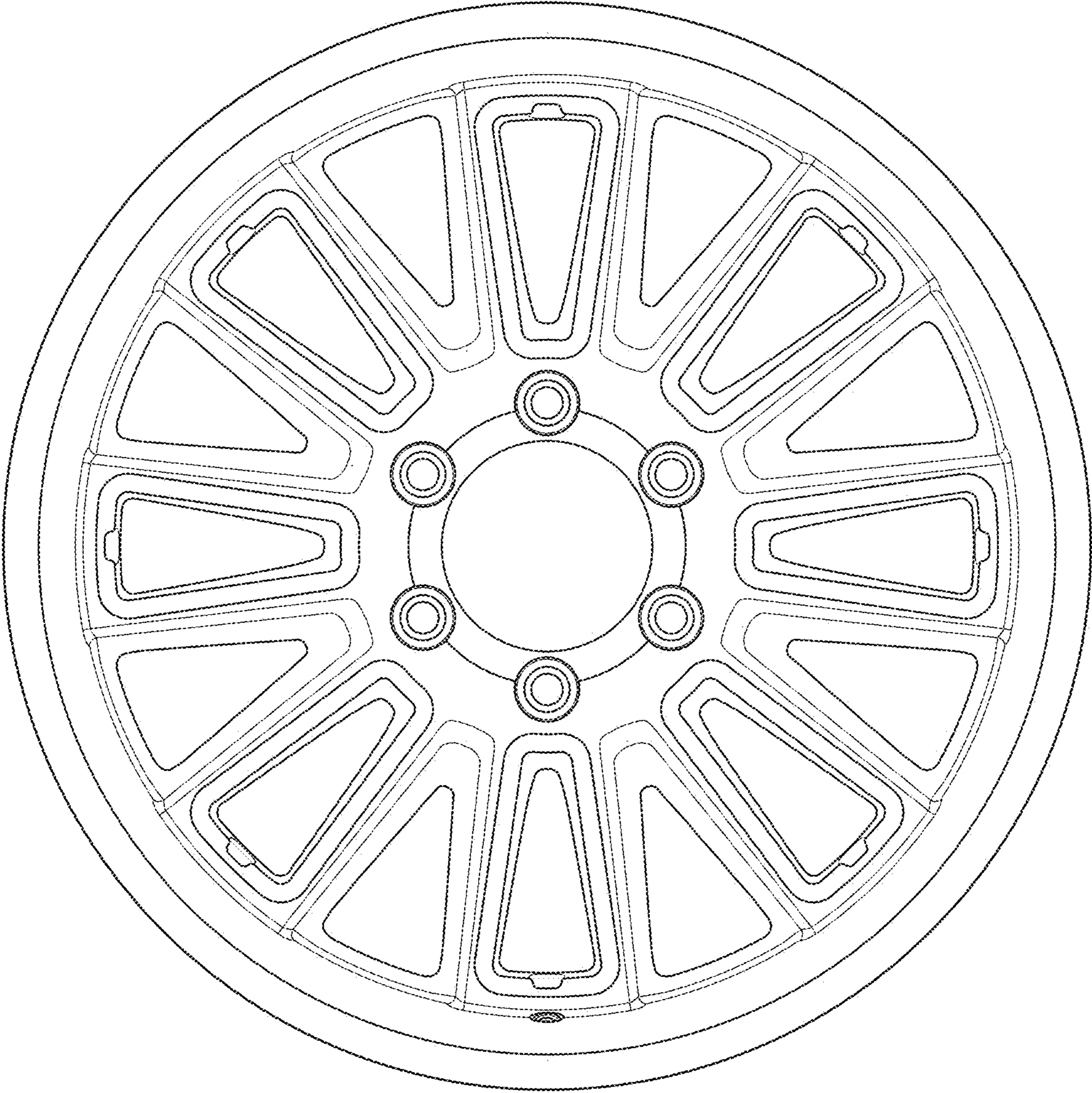


FIG. 2

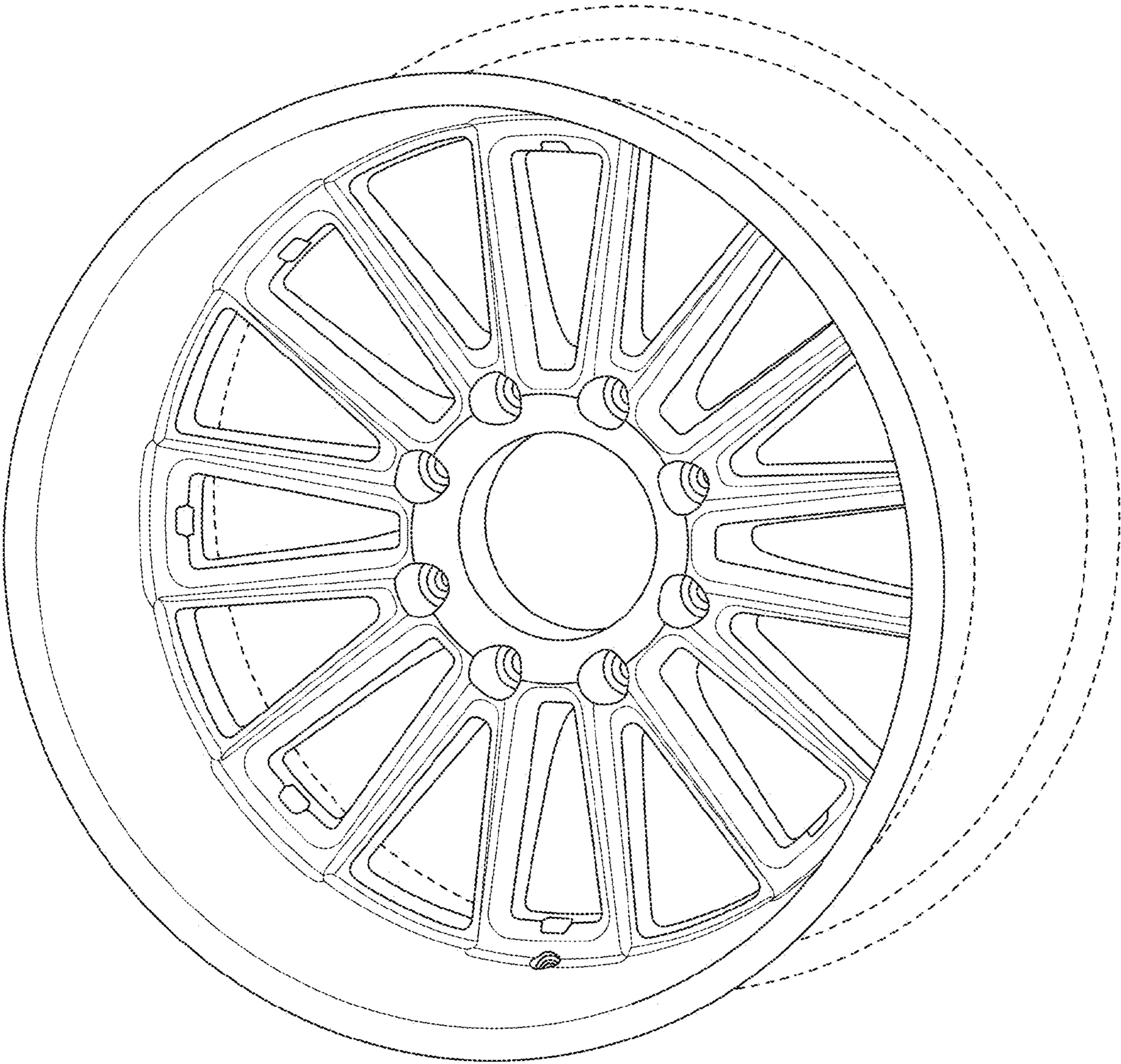


FIG. 3

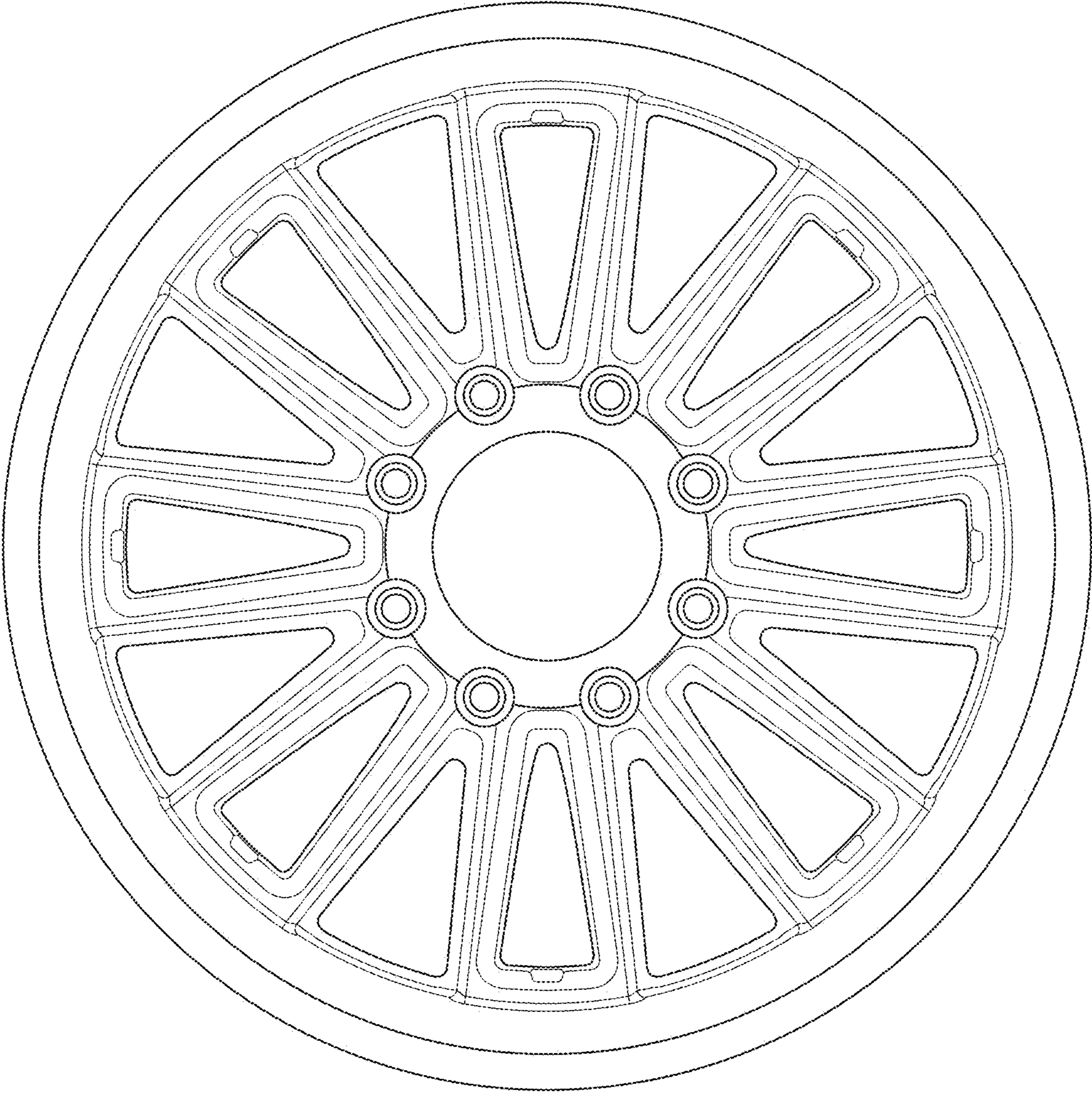


FIG. 4