



US00D889348S

(12) **United States Design Patent**
Buck et al.

(10) **Patent No.:** **US D889,348 S**
(45) **Date of Patent:** **** Jul. 7, 2020**

(54) **WHEEL**

(71) Applicant: **Jaguar Land Rover Limited**, Whitley,
Coventry (GB)

(72) Inventors: **Joe Buck**, Coventry (GB); **Adam
Setter**, Coventry (GB); **Phil Hall**,
Coventry (GB)

(73) Assignee: **Jaguar Land Rover Limited**, Whitley,
Coventry (GB)

(**) Term: **15 Years**

(21) Appl. No.: **29/637,303**

(22) Filed: **Feb. 15, 2018**

(30) **Foreign Application Priority Data**

Aug. 30, 2017 (EM) 004172039

(51) **LOC (12) Cl.** **12-16**

(52) **U.S. Cl.**
USPC **D12/209**

(58) **Field of Classification Search**
USPC D12/204–213
CPC B60B 7/00; B60B 7/02; B60B 7/04; B60B
7/01; B60B 7/06; B60B 3/02; B60B 3/04;
B60B 3/06; B60B 3/10; B60B 1/00;
B60B 1/08; B60B 1/10; B60B 1/12
See application file for complete search history.

(56) **References Cited**

U.S. PATENT DOCUMENTS

D457,478 S * 5/2002 Minamisawa D12/211
D606,921 S * 12/2009 Thorsten D12/211
D618,152 S * 6/2010 Juergens D12/209
D649,102 S * 11/2011 Gallert D12/211
D649,103 S * 11/2011 Gallert D12/211
D675,143 S * 1/2013 Gebert D12/209

D689,421 S * 9/2013 Wachter D12/211
D715,720 S * 10/2014 Ender D12/211
D734,704 S * 7/2015 Juergens D12/211
D735,630 S * 8/2015 Swanseger D12/209
D747,254 S * 1/2016 Liu D12/211
D748,558 S * 2/2016 Hans D12/211
D756,876 S * 5/2016 Rueckheim D12/209
D780,657 S * 3/2017 Welte D12/211
D780,658 S * 3/2017 Welte D12/211
D786,164 S * 5/2017 Henderson D12/211
D786,166 S * 5/2017 Henderson D12/213
D792,303 S * 7/2017 Chung D12/209
D792,827 S * 7/2017 Chung D12/209
D793,937 S * 8/2017 Buck D12/209
D801,250 S * 10/2017 Chung D12/209
D805,992 S * 12/2017 Heizmann D12/211
D810,646 S * 2/2018 Heizmann D12/209
D826,128 S * 8/2018 Groth D12/209
D828,799 S * 9/2018 Zschocke D12/209
D829,628 S * 10/2018 Chung D12/209
D829,629 S * 10/2018 Chung D12/209
D832,176 S * 10/2018 Chung D12/209
D832,763 S * 11/2018 Han D12/209

(Continued)

Primary Examiner — Stacia A Cadmus

(74) *Attorney, Agent, or Firm* — Wood Herron & Evans
LLP

(57) **CLAIM**

The ornamental design for a wheel, as shown and described.

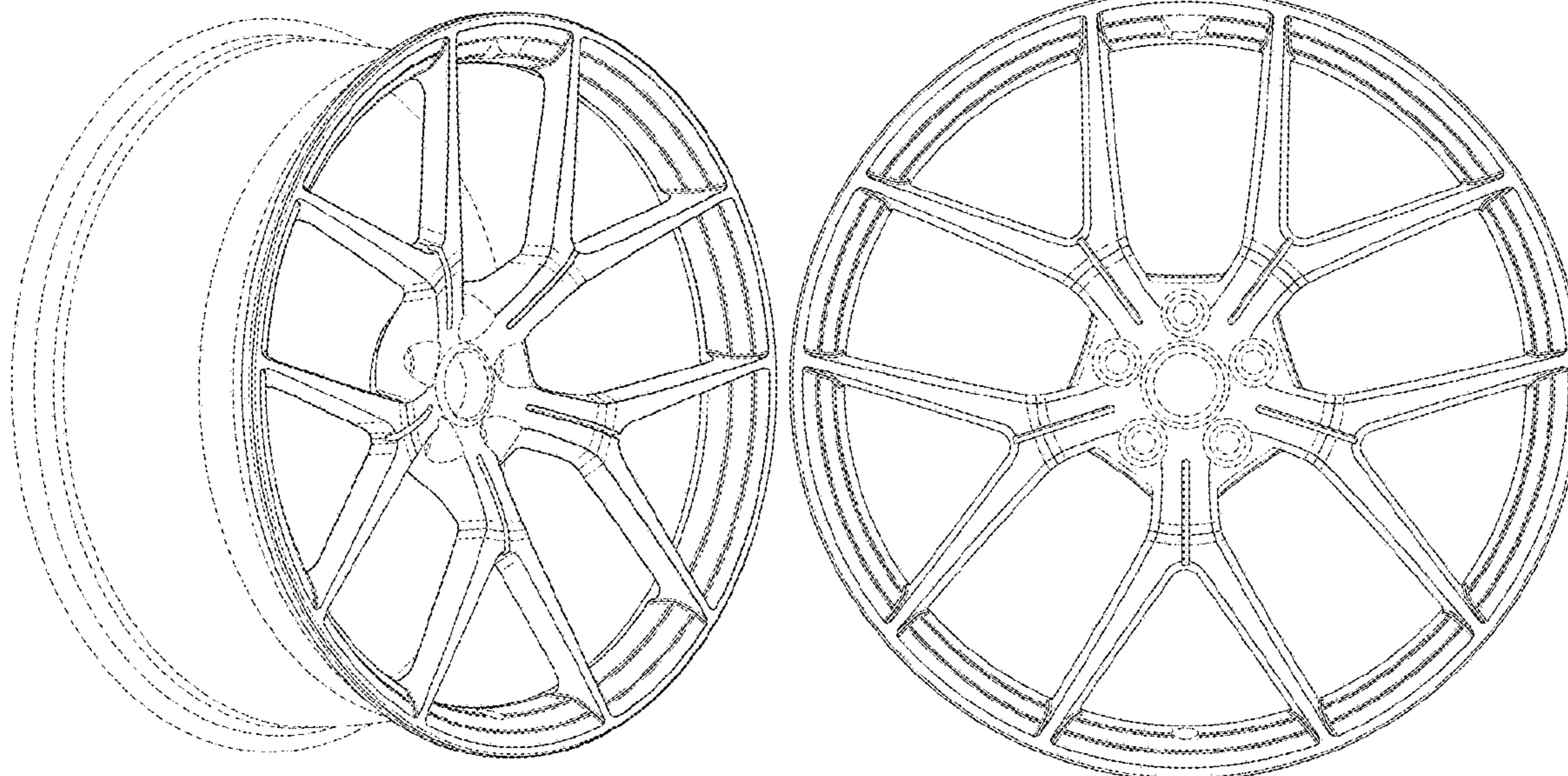
DESCRIPTION

FIG. 1 is a front left perspective view of a wheel according to the present invention.

FIG. 2 is a front view of the wheel shown in FIG. 1; and, FIG. 3 is a left side view thereof, the right side being a mirror image thereof.

In the Figures, any broken lines form no part of the present invention, but are instead included to show environmental structure.

1 Claim, 3 Drawing Sheets



(56)

References Cited

U.S. PATENT DOCUMENTS

D842,202 S *	3/2019	Han	D12/209
D844,527 S *	4/2019	Licklitter	D12/209
D848,340 S *	5/2019	Kraljevic	D12/209
D851,005 S *	6/2019	Hodges	D12/209
D853,306 S *	7/2019	Han	D12/211
D857,591 S *	8/2019	Brundle	D12/209
D860,100 S *	9/2019	Groth	D12/209
D864,078 S *	10/2019	Khachatryan	D12/211
D866,432 S *	11/2019	Preyss	D12/209

* cited by examiner

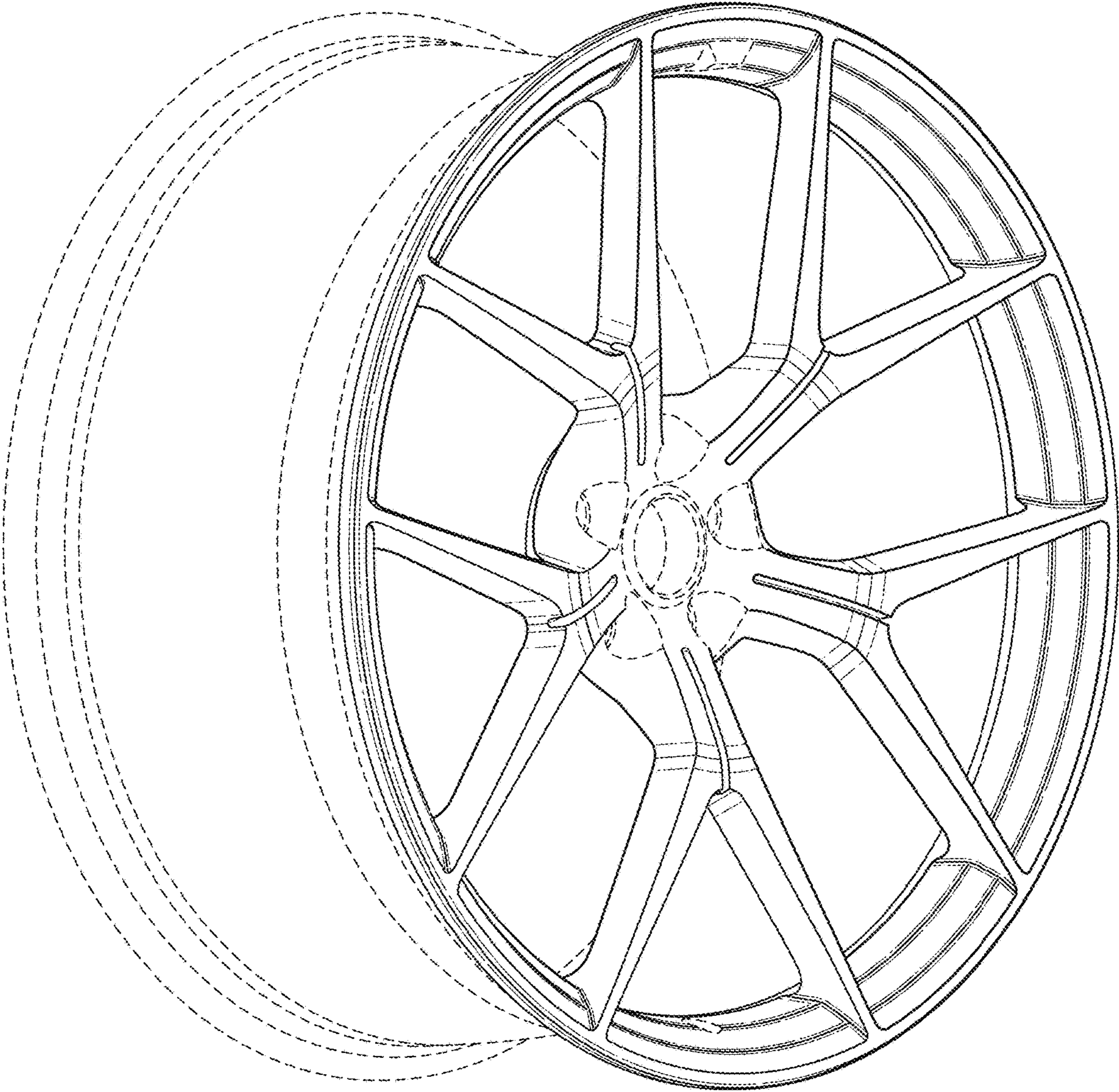


FIG. 1

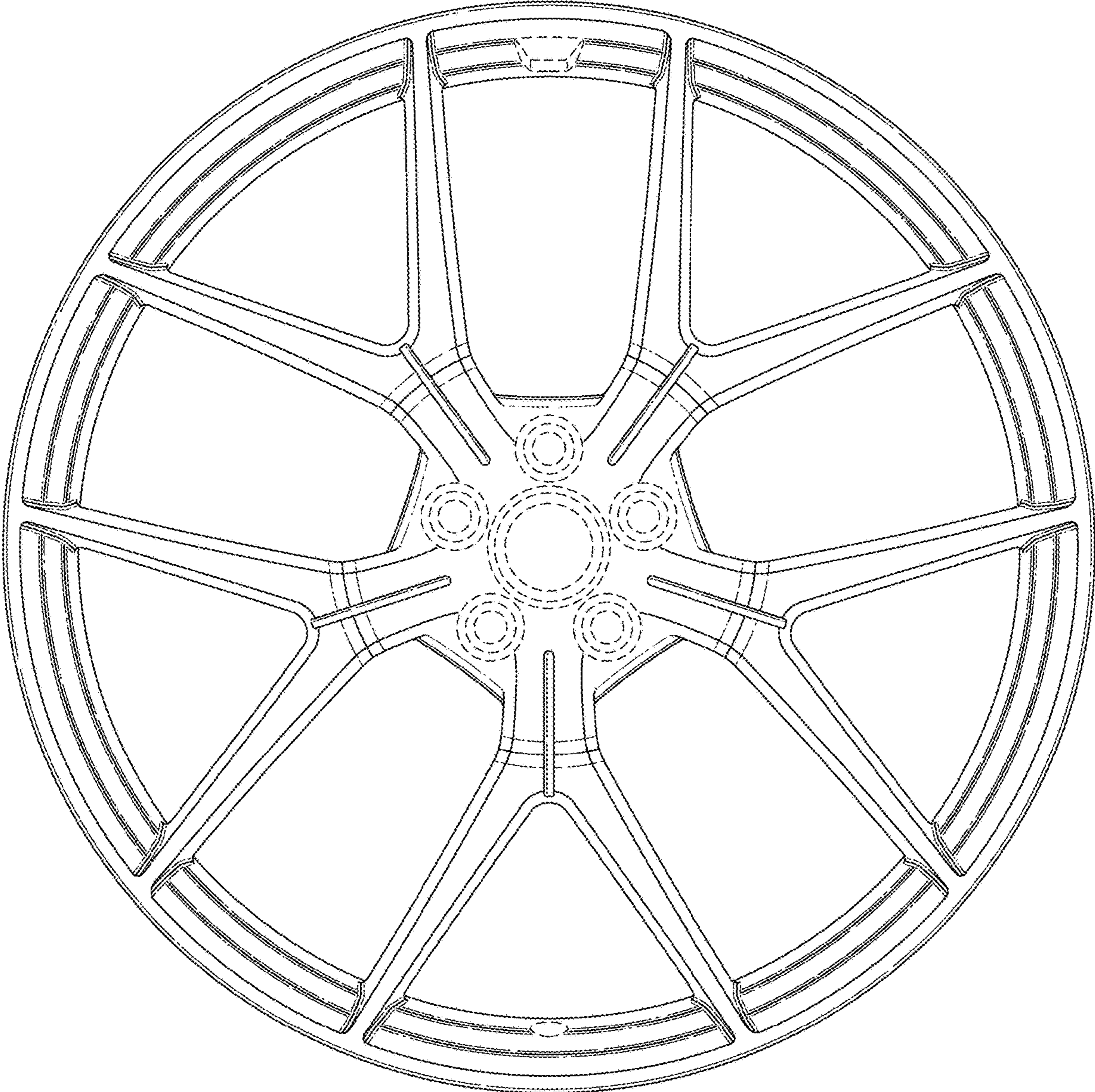


FIG. 2

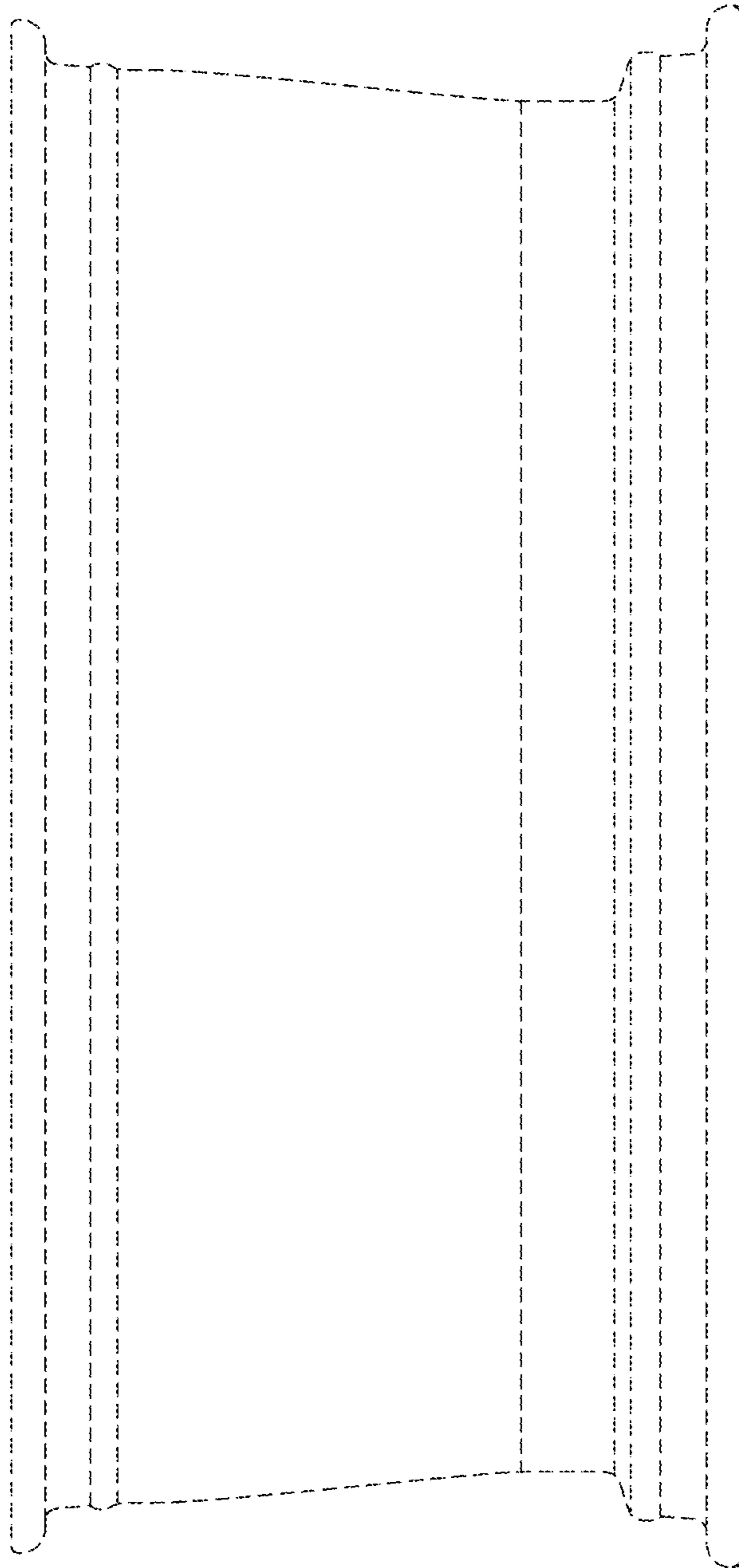


FIG. 3