



US00D889346S

(12) **United States Design Patent** (10) **Patent No.:** **US D889,346 S**
Warner (45) **Date of Patent:** **** Jul. 7, 2020**

(54) **FRONT DOOR**

(71) Applicant: **Jaguar Land Rover Limited**, Whitley, Coventry (GB)

(72) Inventor: **John Warner**, Coventry (GB)

(73) Assignee: **Jaguar Land Rover Limited**, Whitley Coventry (GB)

(**) Term: **15 Years**

(21) Appl. No.: **29/687,657**

(22) Filed: **Apr. 15, 2019**

(30) **Foreign Application Priority Data**

Oct. 25, 2018 (EM) 005808441

(51) **LOC (12) Cl.** **12-16**

(52) **U.S. Cl.**
USPC **D12/196**

(58) **Field of Classification Search**
USPC D12/90, 91, 92, 190, 195, 196
CPC B60J 5/00; B60J 5/02; B60J 5/04; B60J 5/10; B62D 25/02; B62D 25/04
See application file for complete search history.

(56) **References Cited**

U.S. PATENT DOCUMENTS

D653,596 S *	2/2012	Tomatsu	D12/196
D822,568 S *	7/2018	Choi	D12/196
D839,167 S *	1/2019	Seo	D12/196
D840,307 S *	2/2019	Chan	D12/196
D851,003 S *	6/2019	Tomasson	D12/196
D873,752 S *	1/2020	Choi	D12/196

* cited by examiner

Primary Examiner — George D. Kirschbaum

Assistant Examiner — Joseph J Kukella

(74) *Attorney, Agent, or Firm* — Wood Herron & Evans, LLP

(57) **CLAIM**

The ornamental design for a front door, as shown and described.

DESCRIPTION

FIG. 1 is a front right elevated perspective view of a front door for a vehicle according to the present invention.

FIG. 2 is a front right perspective view of the front door shown in FIG. 1.

FIG. 3 is a rear left elevated perspective view thereof.

FIG. 4 is a rear left perspective view thereof.

FIG. 5 is a front view thereof.

FIG. 6 is a rear view thereof.

FIG. 7 is a left side view thereof.

FIG. 8 is a right side view thereof.

FIG. 9 is a top view thereof.

FIG. 10 is a bottom view thereof; and,

FIG. 11 is a rear view of the door shown in FIGS. 1-10, but with the front door mounted on a vehicle, and the rest of the vehicle shown in de-emphasized and half-tone portions so as to illustrate environmental structure. These portions form no part of the claimed design. More particularly, in FIG. 11, the inventive front door is shown within the broken line, and the elements shown outside the broken line form no part of the claimed design, but are instead included to show environmental aspects thereof, and form an unclaimed boundary of the design.

1 Claim, 9 Drawing Sheets

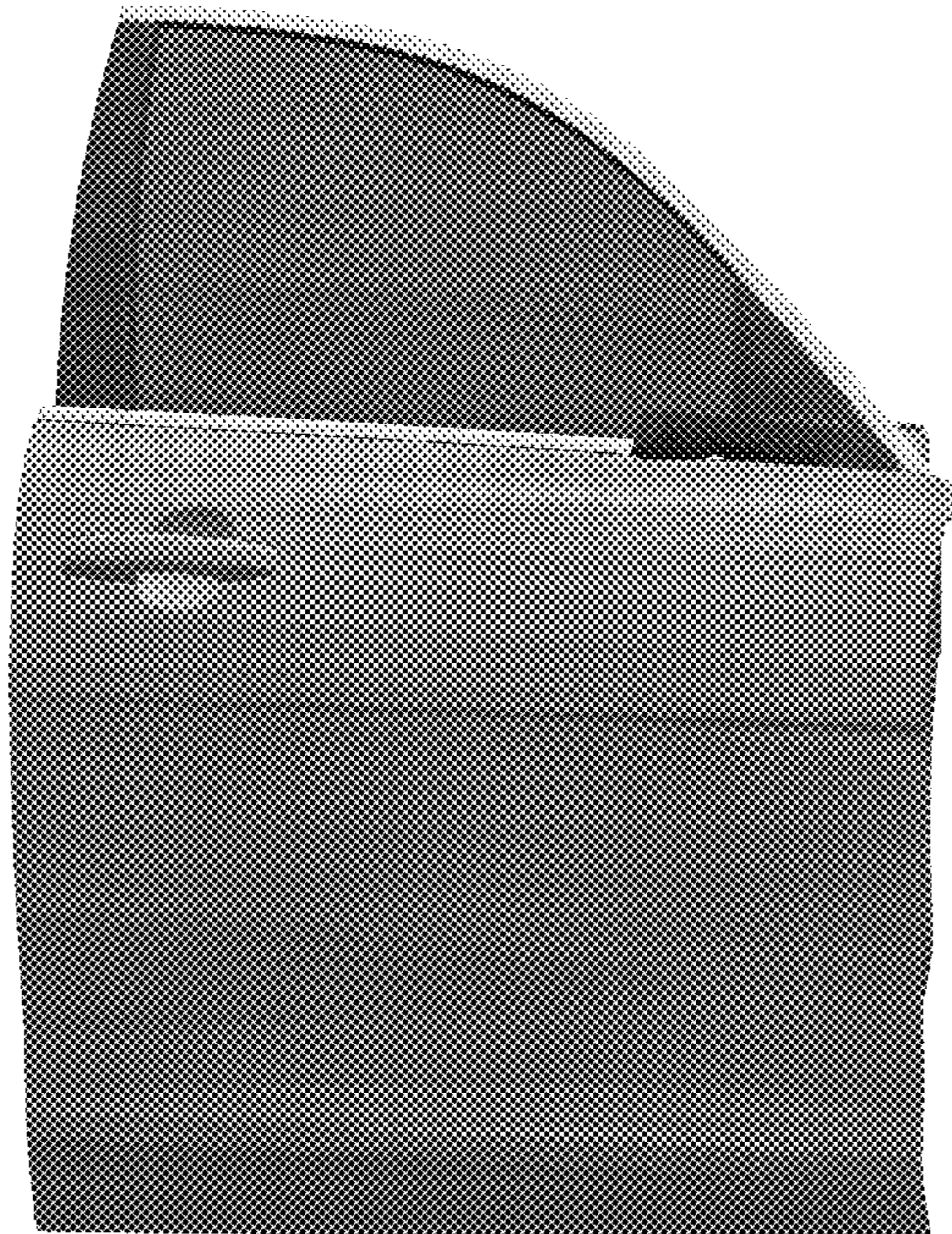




FIG. 1



FIG. 2

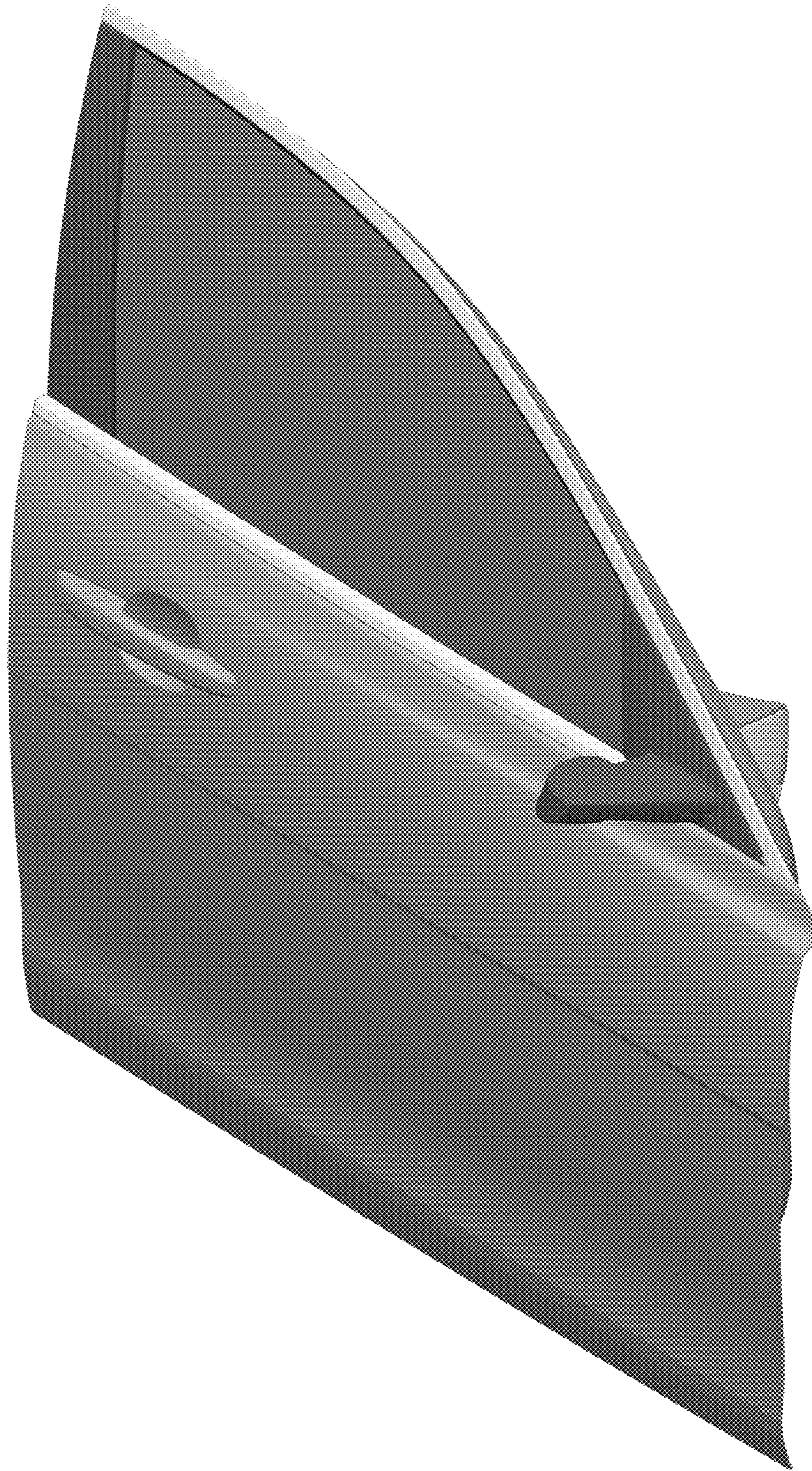


FIG. 3

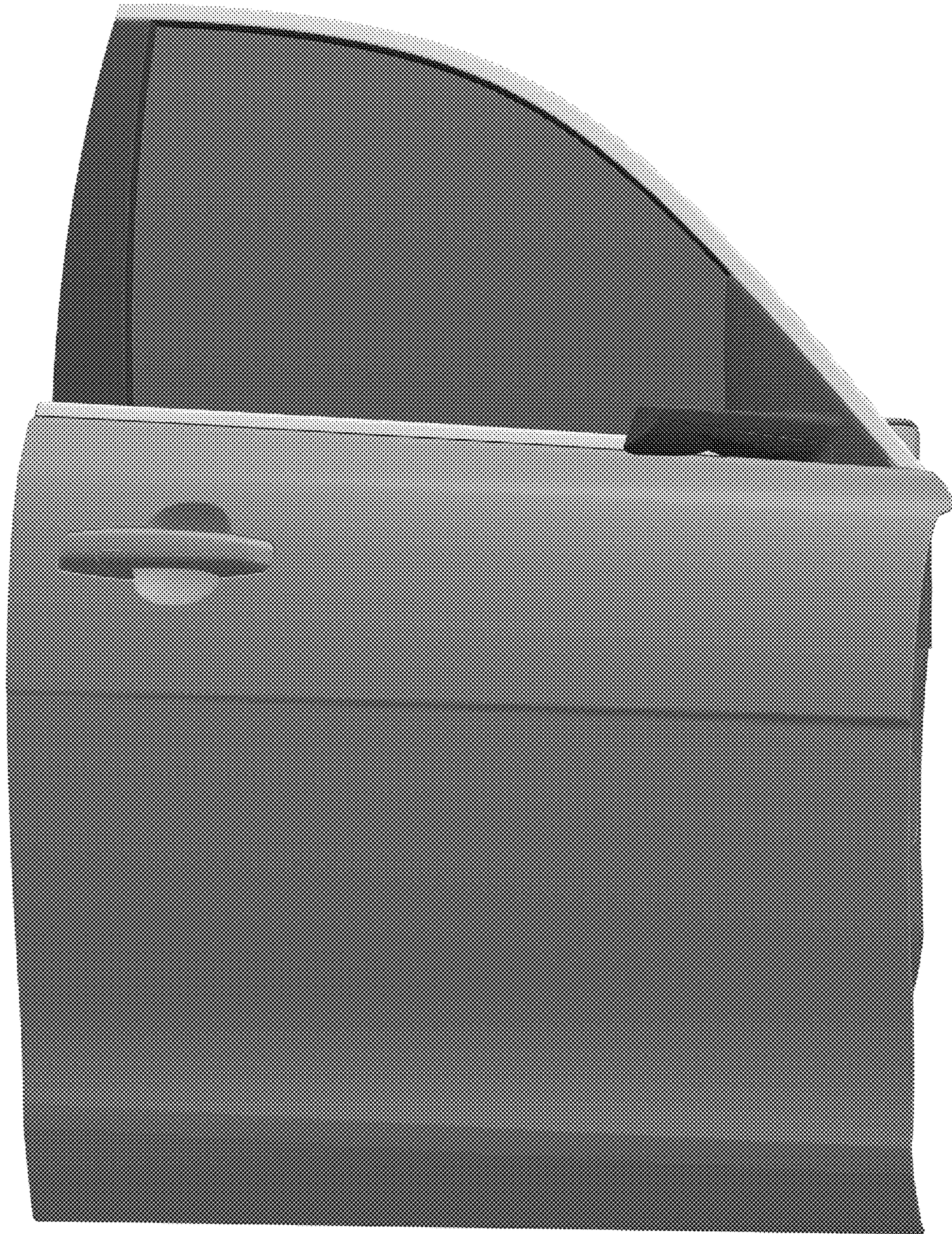


FIG. 4

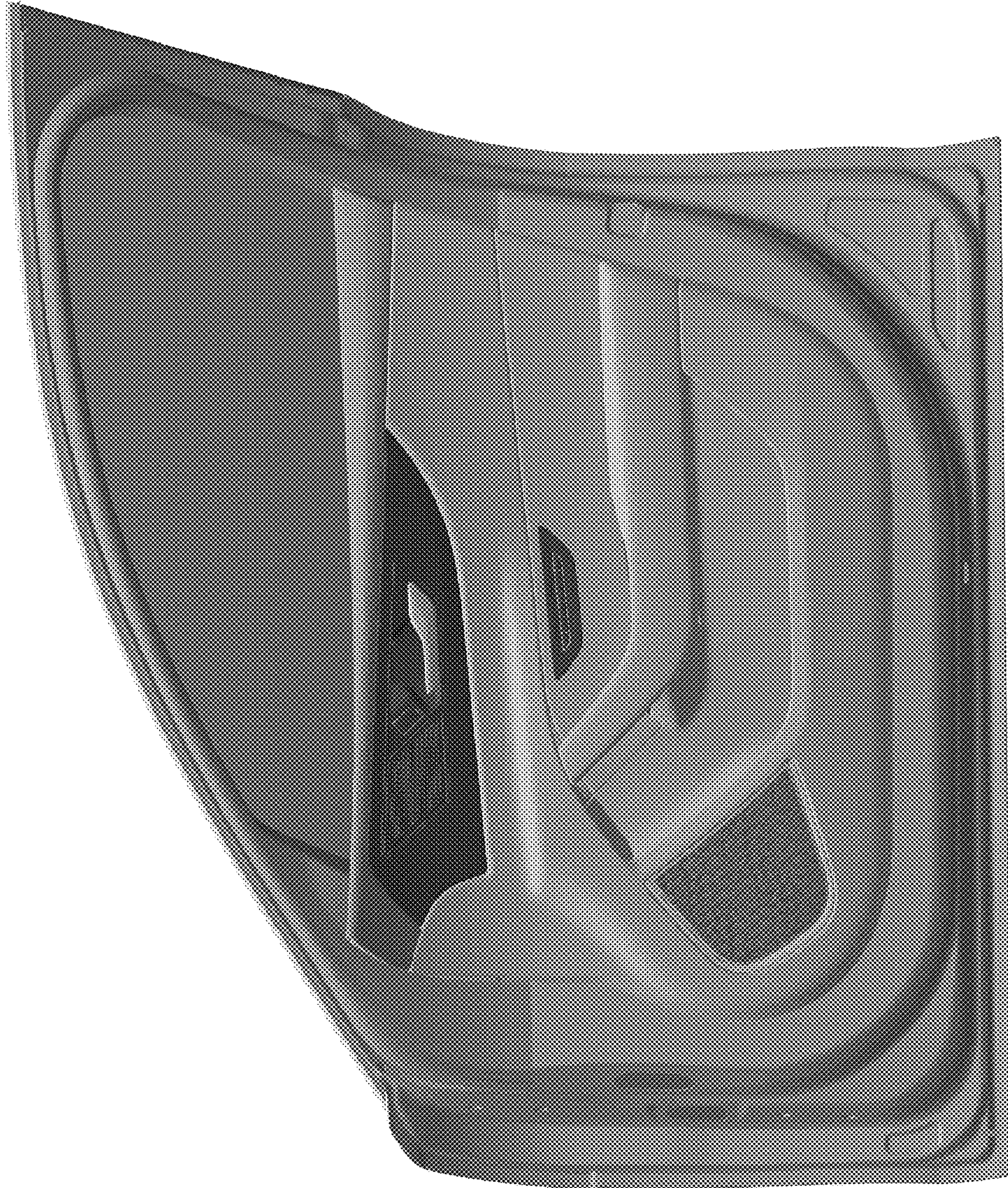


FIG. 5

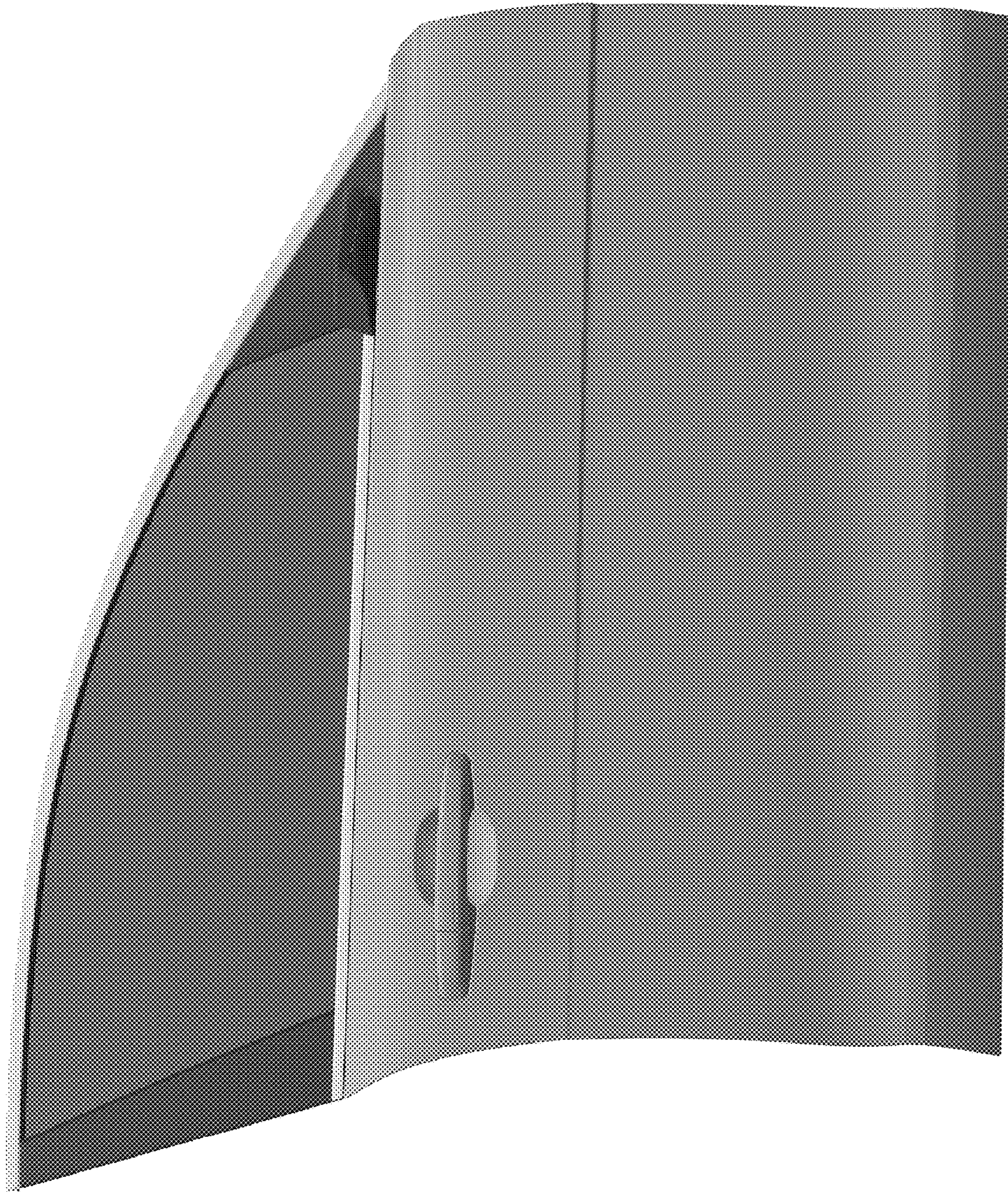


FIG. 6

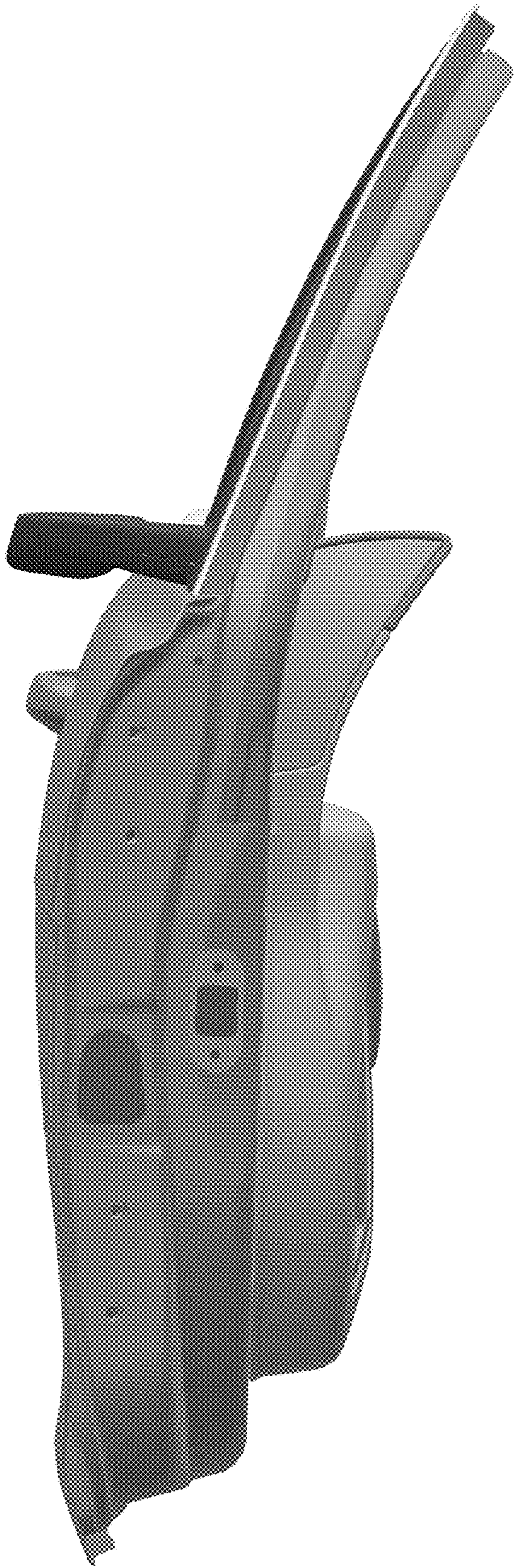


FIG. 7

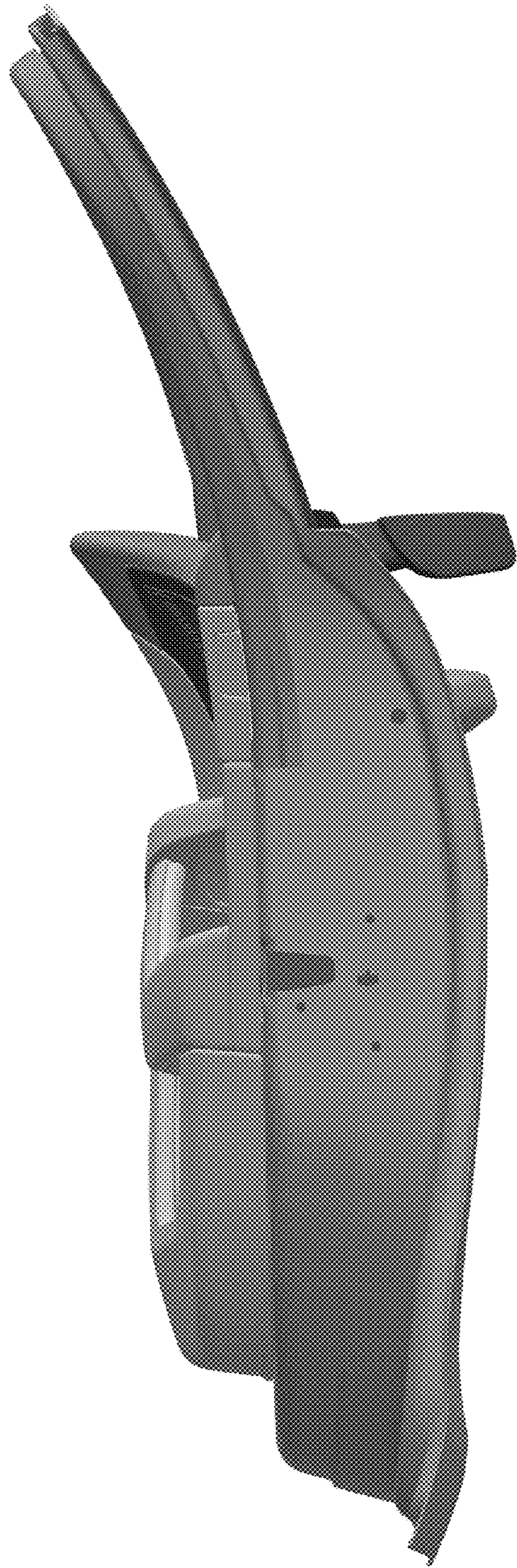


FIG. 8

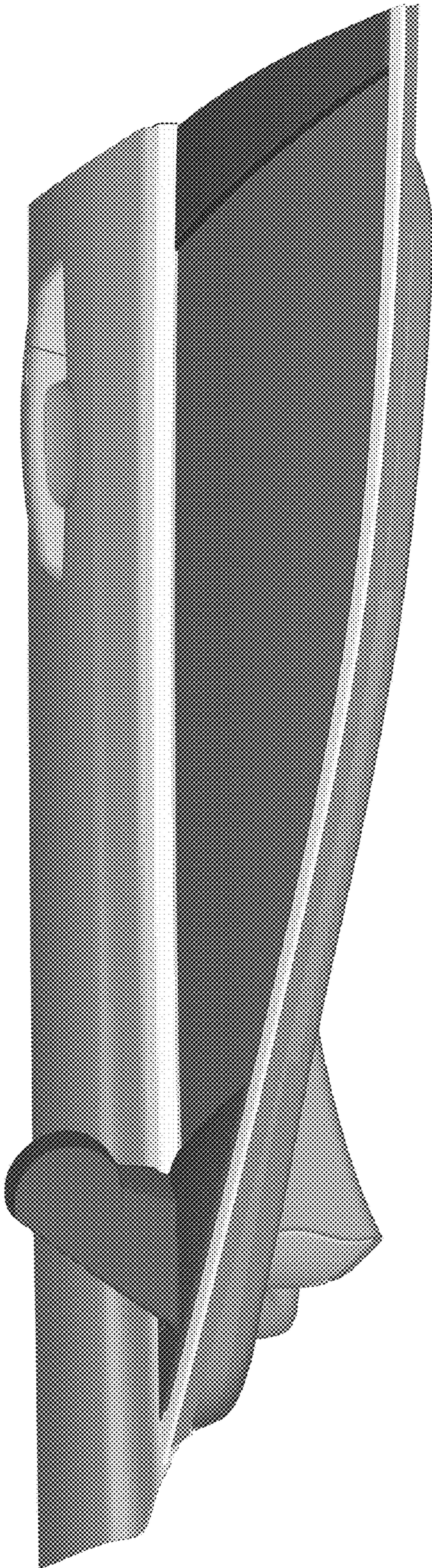


FIG. 9

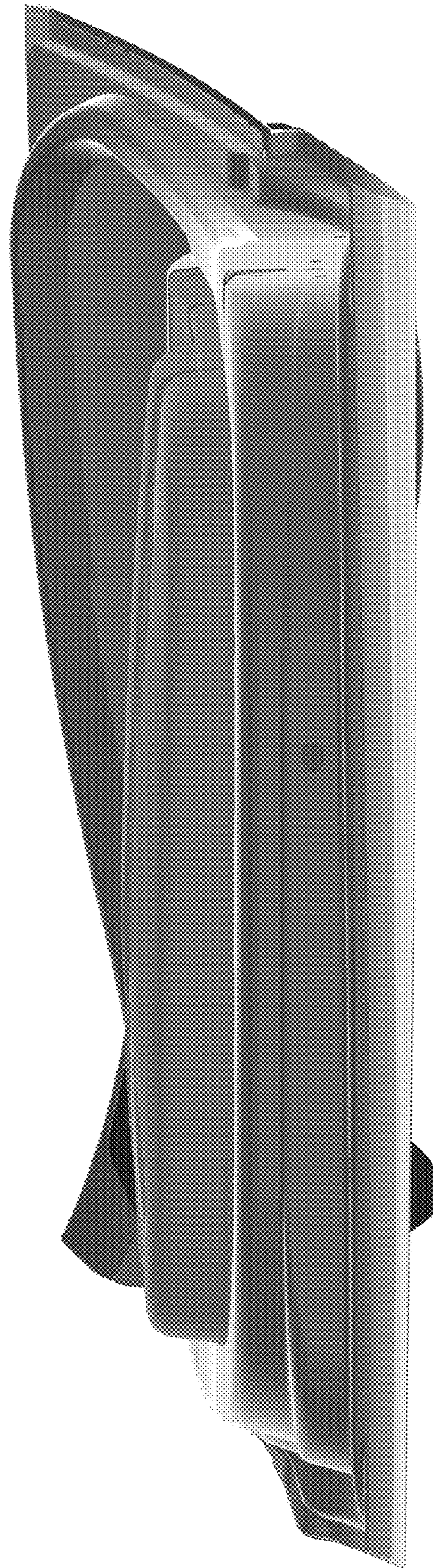


FIG. 10

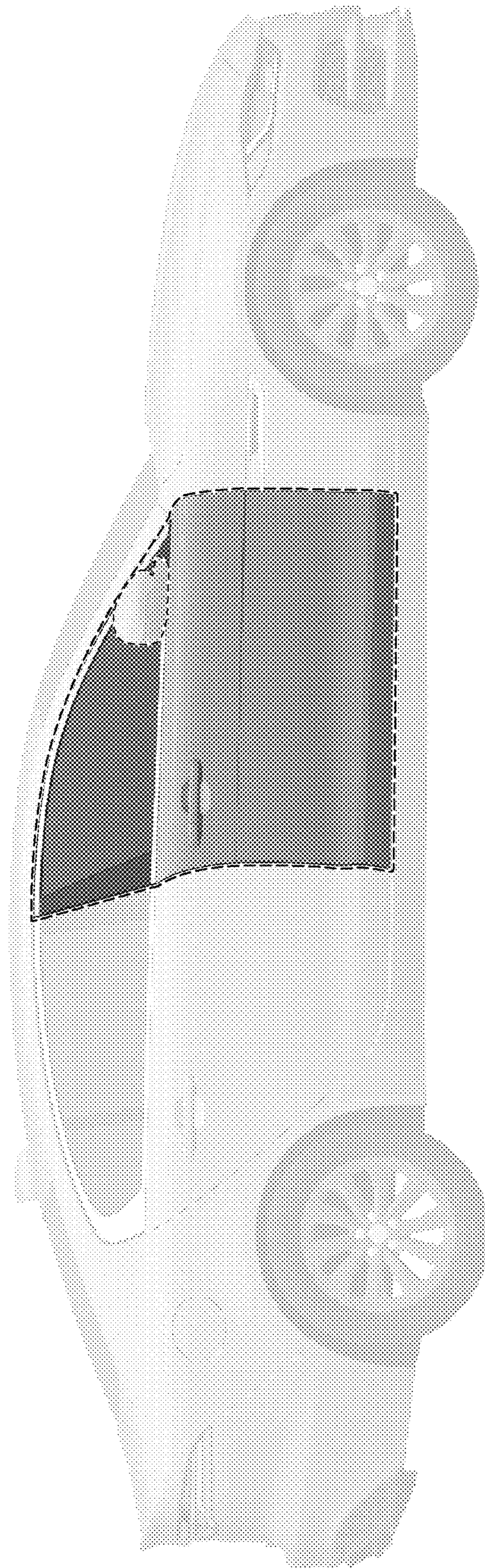


FIG. 11