



US00D889345S

(12) **United States Design Patent** (10) **Patent No.:** **US D889,345 S**
Harriton et al. (45) **Date of Patent:** **** Jul. 7, 2020**

(54) **WINCH BEZEL FOR VEHICLE**
(71) Applicant: **StreetCar ORV, LLC**, Wixom, MI (US)
(72) Inventors: **David Harriton**, Missoula, MT (US); **Mark Stouffer**, Oakland Township, MI (US)
(73) Assignee: **StreetCar ORV LLC**, Wixom, MI (US)
(**) Term: **15 Years**
(21) Appl. No.: **29/668,411**
(22) Filed: **Oct. 30, 2018**
(51) **LOC (12) Cl.** **12-16**
(52) **U.S. Cl.**
USPC **D12/196**
(58) **Field of Classification Search**
USPC D12/86, 163-164, 169, 173, 175, 177, D12/184, 196
CPC B60R 19/02; B60R 19/18; B60R 19/24; B60R 19/56; B60R 2019/007; B62D 25/0845
See application file for complete search history.

(56) **References Cited**
U.S. PATENT DOCUMENTS
D295,737 S * 5/1988 Kobel D12/196
D449,807 S * 10/2001 Lucas D12/169
D451,786 S * 12/2001 Wyatt D8/354
D506,421 S * 6/2005 Newbill D12/169
D549,144 S * 8/2007 Elliott D12/196
D669,827 S * 10/2012 Svensson D12/169
D725,008 S * 3/2015 Peltola D12/169
D731,293 S * 6/2015 Fretz D8/356
D753,565 S * 4/2016 Metzger, Jr. D12/169
D763,745 S * 8/2016 Lee, IV D12/169
D771,537 S * 11/2016 Hare D12/169
D793,305 S * 8/2017 McMath D12/169
D795,142 S * 8/2017 McMath D12/169

D807,731 S * 1/2018 Fretz D8/356
D807,732 S * 1/2018 Fretz D8/356
D807,733 S * 1/2018 Fretz D8/356
(Continued)

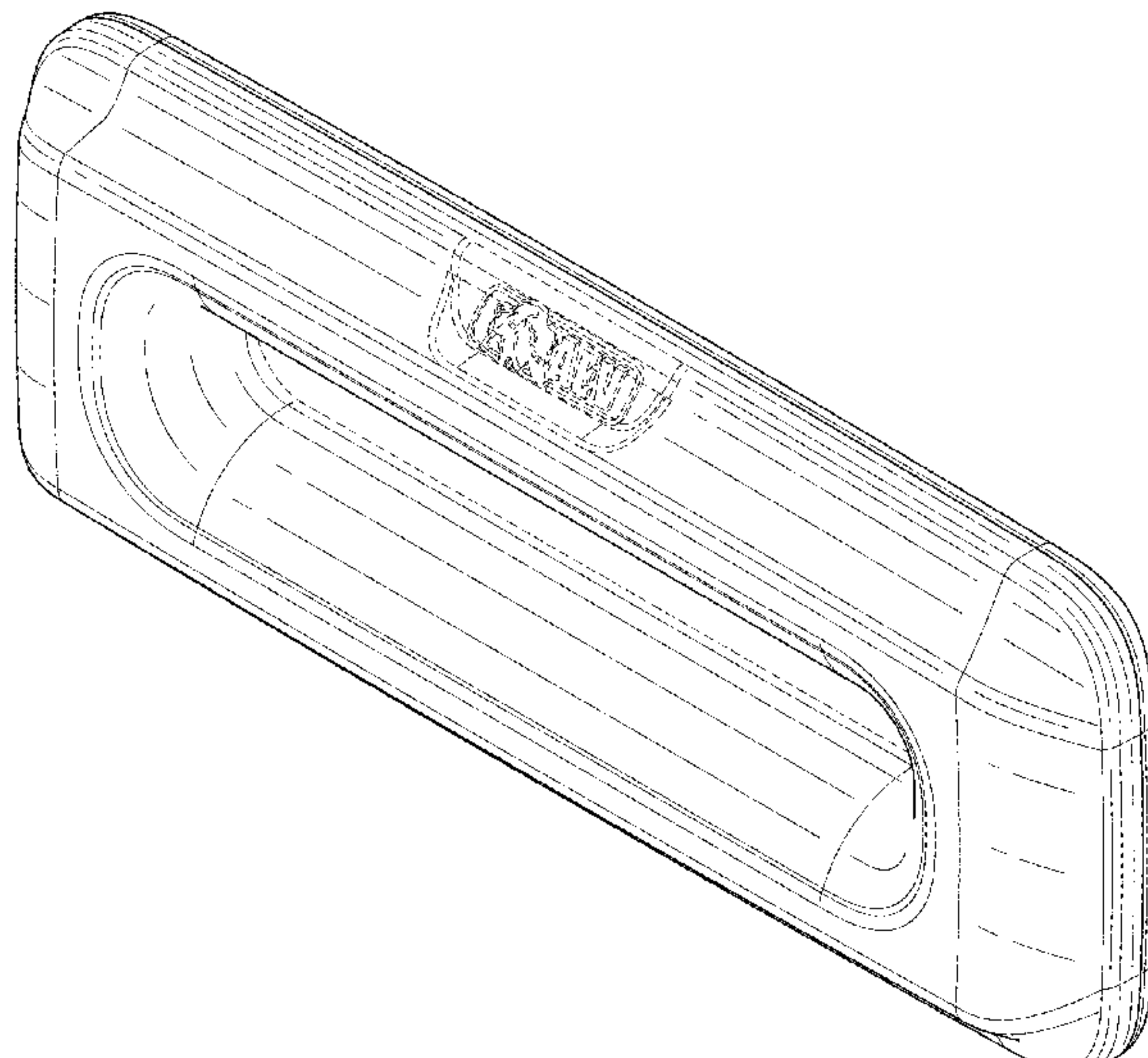
OTHER PUBLICATIONS
“MPS RockyMtnX Factory Bumper Winch Mount.” Second Generation Nissan Xterra Forum, published Mar. 9, 2011 (Retrieved from the Internet Feb. 7, 2020). Internet URL: <https://www.thenewx.org/threads/mps-rockymtnx-factory-bumper-winch-mount.39914/> (Year: 2011).*
(Continued)

Primary Examiner — Jack Reickel
Assistant Examiner — Rachel A Voorhies
(74) *Attorney, Agent, or Firm* — Quinn IP Law

(57) **CLAIM**
The ornamental design for a winch bezel for vehicle, as shown and described.

DESCRIPTION
FIG. 1 is a top, front, and left perspective view of a winch bezel for vehicle showing our new design;
FIG. 2 is a front elevation view of the winch bezel for vehicle of FIG. 1;
FIG. 3 is a rear elevation view of the winch bezel for vehicle of FIG. 1;
FIG. 4 is a left side view of the winch bezel for vehicle of FIG. 1;
FIG. 5 is a right side view of the winch bezel for vehicle of FIG. 1;
FIG. 6 is a top view of the winch bezel for vehicle of FIG. 1;
FIG. 7 is a bottom view of the winch bezel for vehicle of FIG. 1; and,
FIG. 8 is a rear perspective view of the winch bezel for vehicle of FIG. 1.

1 Claim, 6 Drawing Sheets



(56)

References Cited

U.S. PATENT DOCUMENTS

D808,309 S * 1/2018 Steen D12/171
D820,752 S * 6/2018 Vaarsi B60R 11/00
D12/184
D874,998 S * 2/2020 Zhang D12/171
2006/0157993 A1 * 7/2006 Pendarvis B60R 19/24
293/132
2019/0126872 A1 * 5/2019 Hatch B60R 11/00

OTHER PUBLICATIONS

“AEV front bumper and winch.” WranglerForum.com, published May 20, 2015 (Retrieved from the Internet Feb. 7, 2020). Internet URL: <<https://www.wranglerforum.com/f274/aev-front-bumper-and-winch-1208681.html>> (Year: 2015).*

Cray, Alan. “Winch Troubleshooting.” Offroaders, published Mar. 7, 2017 (Retrieved from the Internet Feb. 7, 2020). Internet URL: <<https://web.archive.org/web/20170606012508/http://www.offroaders.com/winch-tech/winch-troubleshooting/>> (Year: 2017).*

“Warn 101325 Elite Series Stubby Front Bumper.” Amazon.com, published Jun. 8, 2018 (Retrieved from the Internet Feb. 7, 2020). Internet URL: <<https://www.amazon.com/WARN-101325-Stubby-Wrangler-Without/dp/B07DLHB84K>> (Year: 2018).*

“OEDRO Front Bumper Combo.” Amazon.com, published Aug. 4, 2018 (Retrieved from the Internet Feb. 7, 2020). Internet URL: <https://www.amazon.com/oEdRo-Wrangler-Compatible-Upgraded-GuardianDesign/dp/B07C77JRBB?ref_=fscpl_pl_dp_6> (Year: 2018).*

* cited by examiner

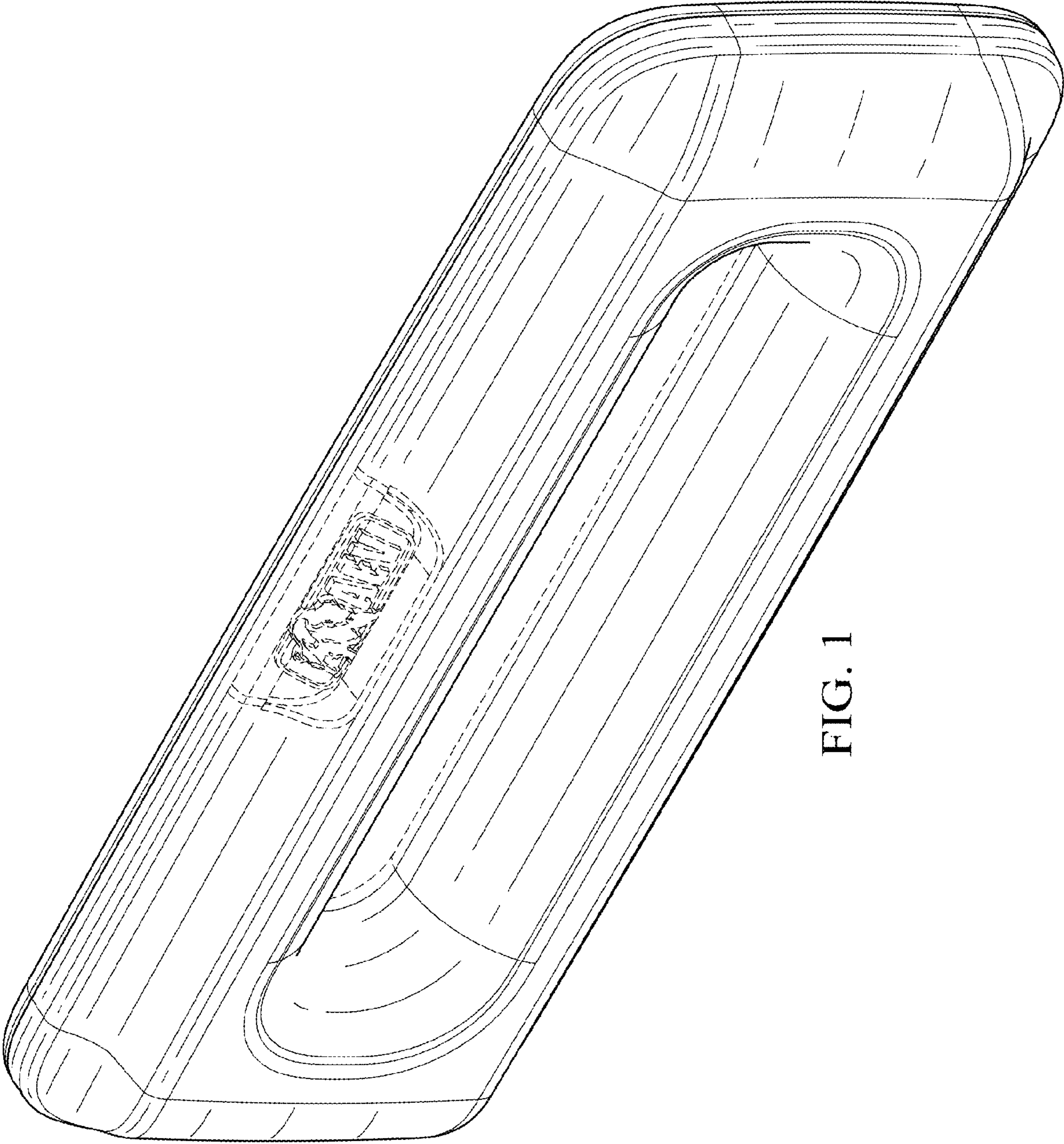


FIG. 1

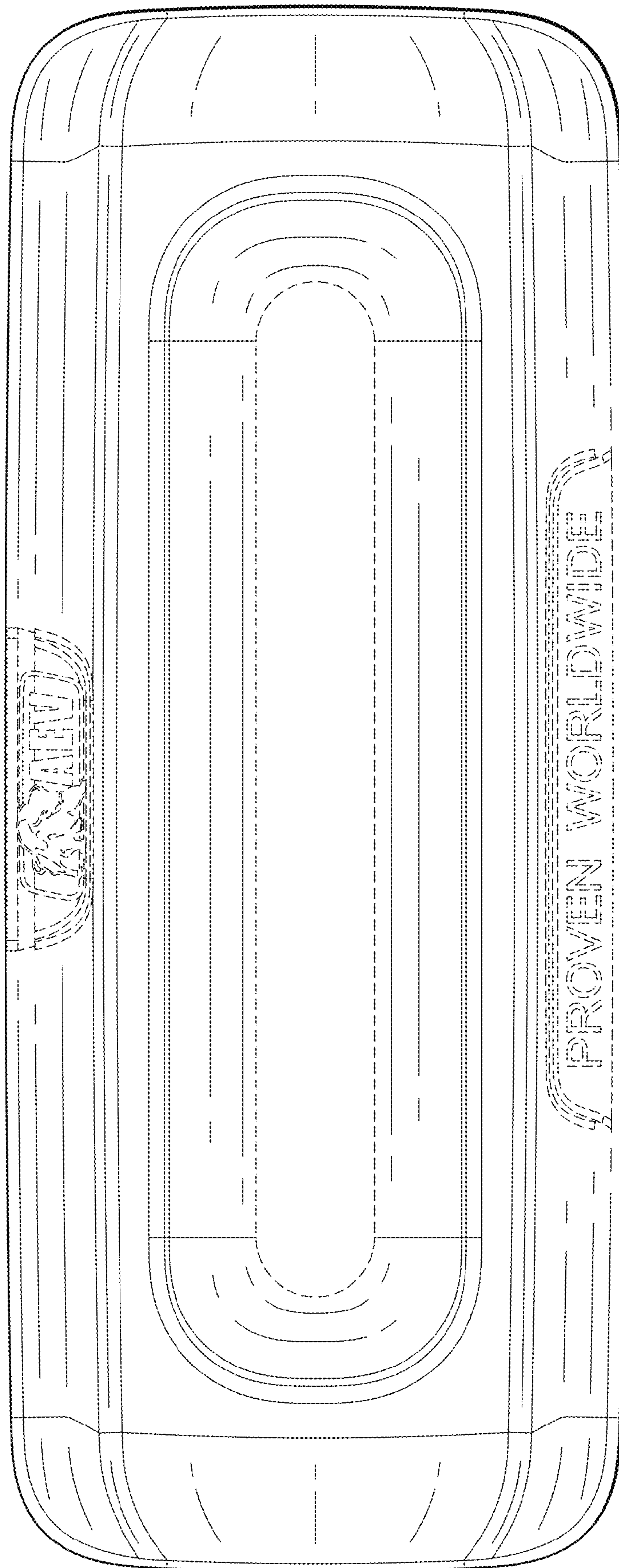


FIG. 2

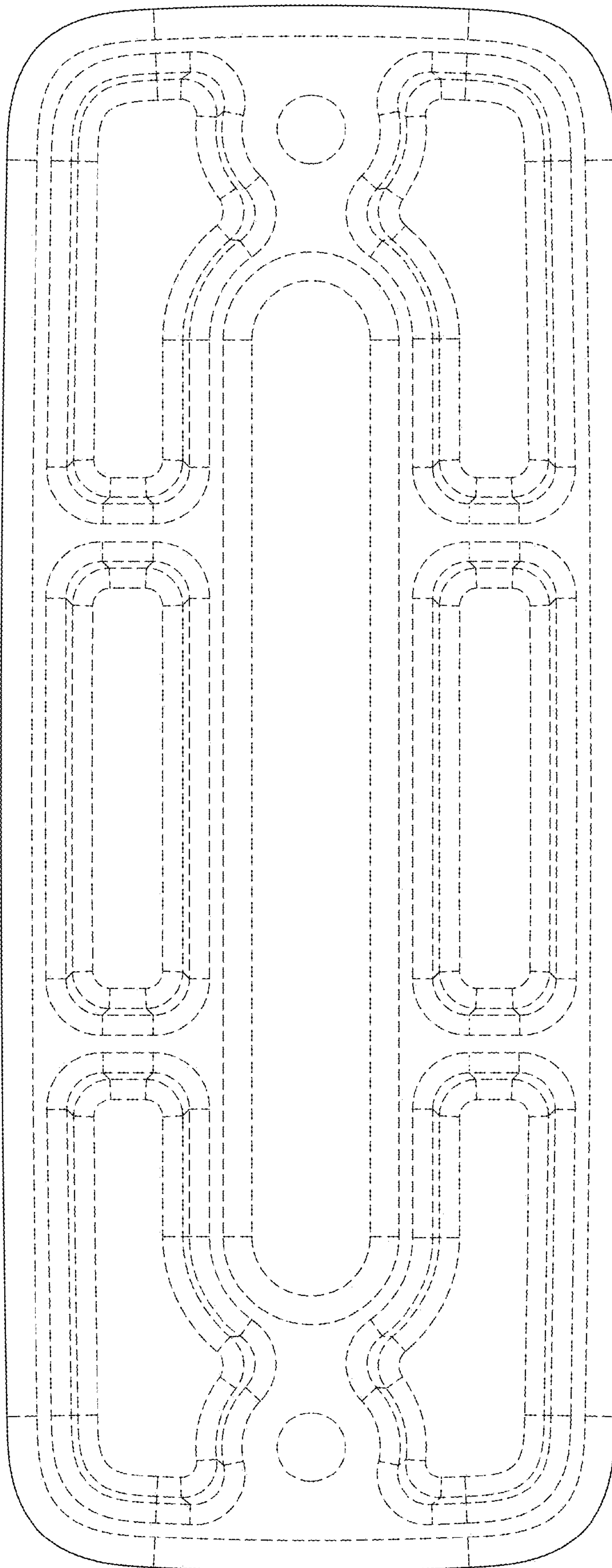


FIG. 3

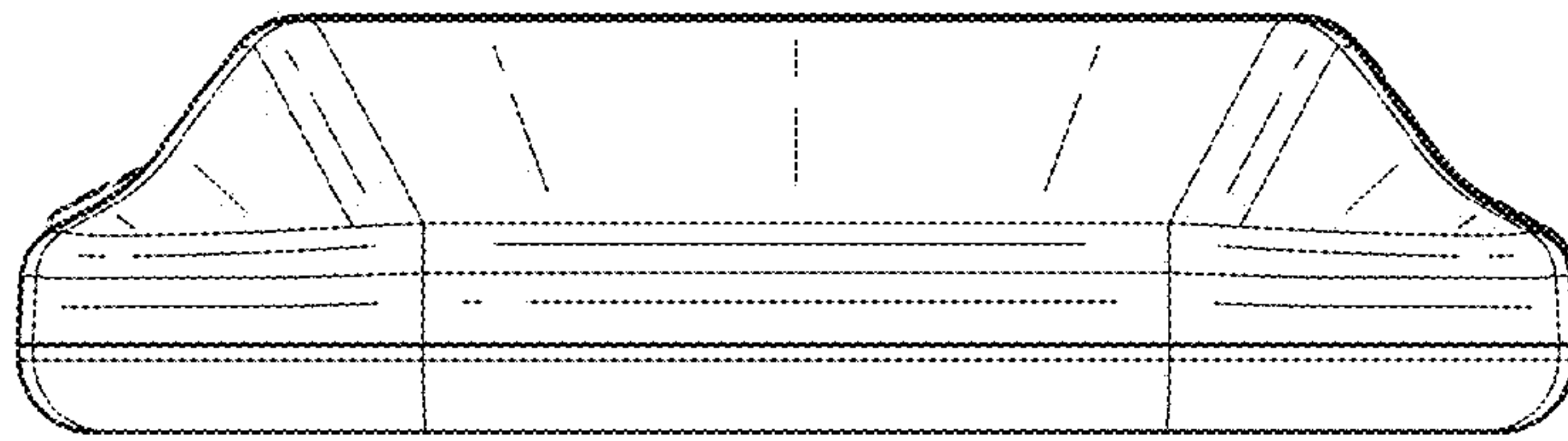


FIG. 5

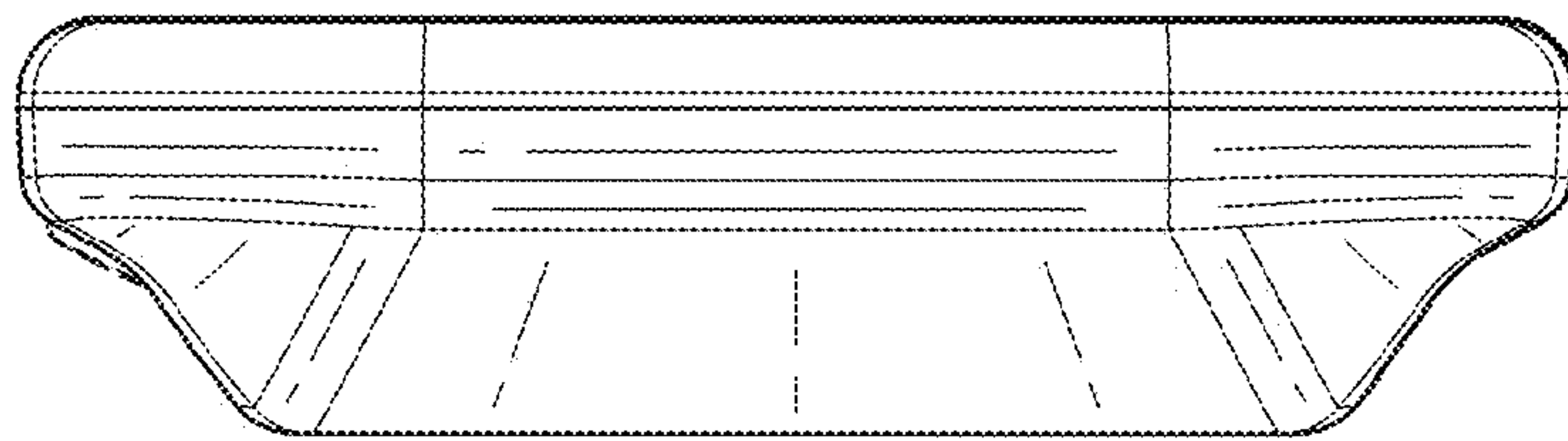


FIG. 4

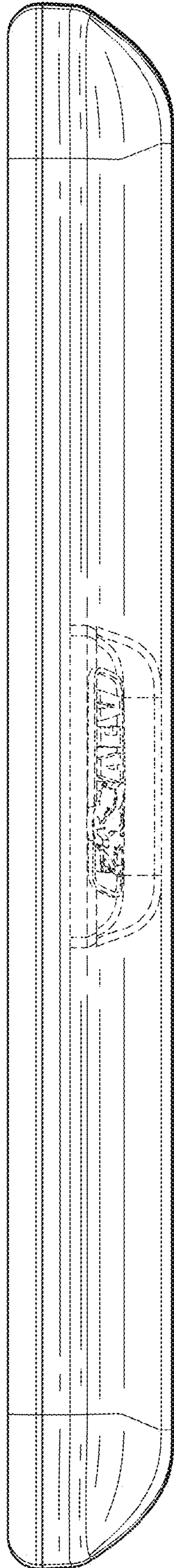


FIG. 6

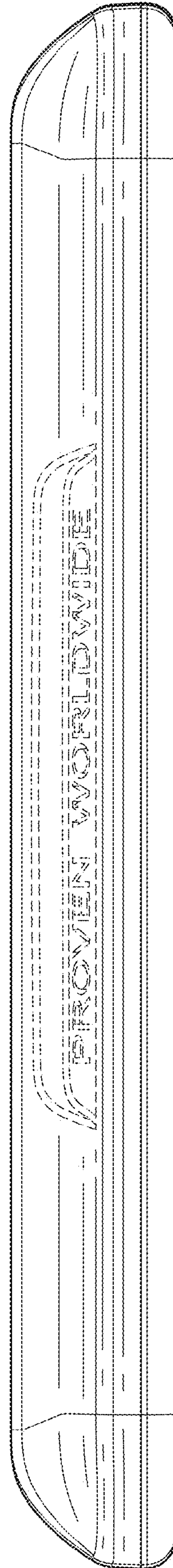


FIG. 7

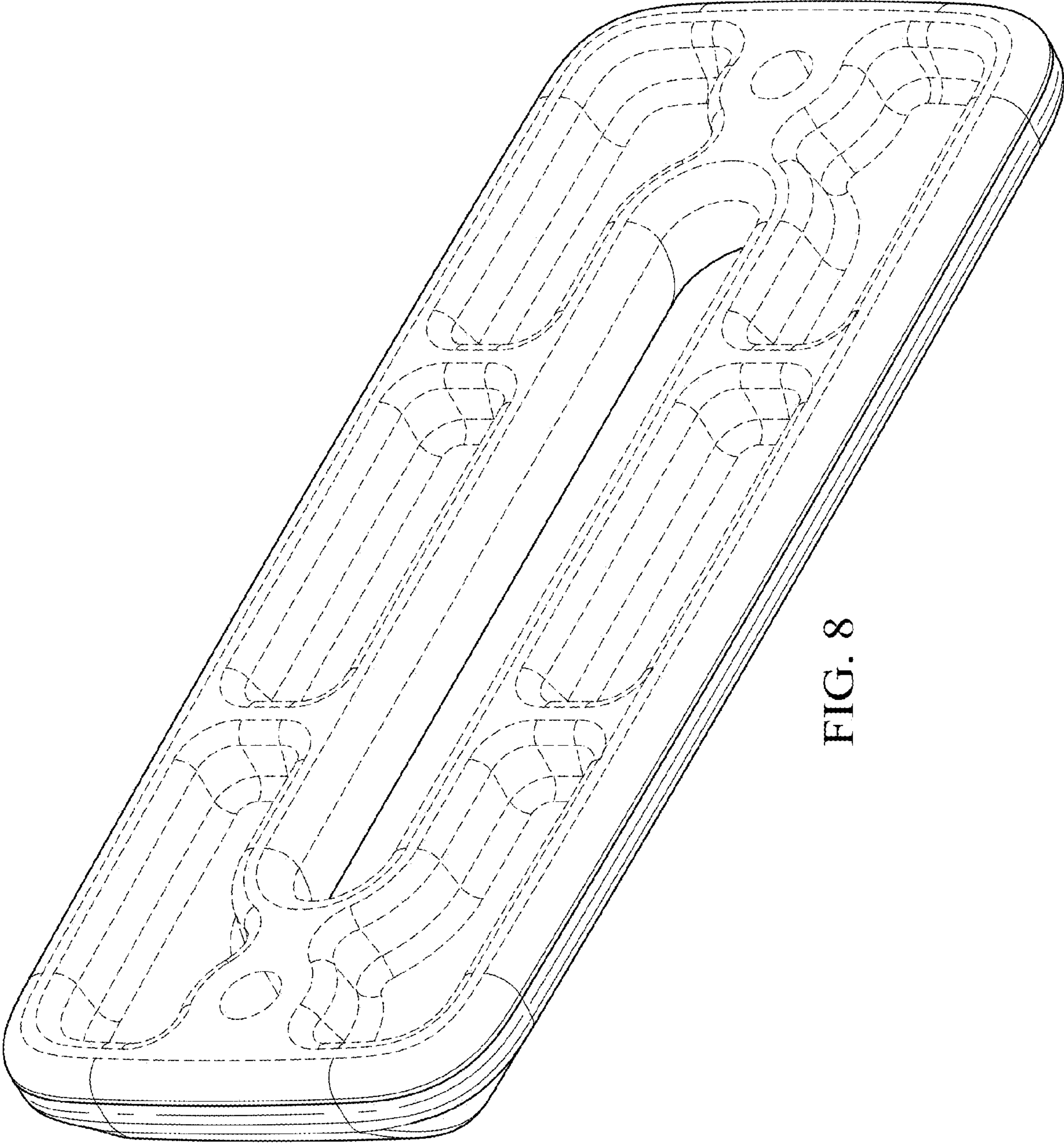


FIG. 8