



US00D889343S

(12) **United States Design Patent**  
**Bertin et al.**

(10) **Patent No.:** **US D889,343 S**

(45) **Date of Patent:** **\*\* Jul. 7, 2020**

(54) **FRONT DOOR FOR A VEHICLE**

(71) Applicant: **Jaguar Land Rover Limited**, Whitley,  
Coventry (GB)

(72) Inventors: **Roman Bertin**, Coventry (GB); **Hugo  
Nightingale**, Coventry (GB)

(73) Assignee: **Jaguar Land Rover Limited**, Whitley  
Coventry (GB)

(\*\*) Term: **15 Years**

(21) Appl. No.: **29/636,992**

(22) Filed: **Feb. 13, 2018**

(30) **Foreign Application Priority Data**

Aug. 29, 2017 (EM) ..... 004170561

(51) **LOC (12) Cl.** ..... **12-16**

(52) **U.S. Cl.**  
USPC ..... **D12/196**

(58) **Field of Classification Search**  
USPC ..... D12/86, 90, 91, 92, 163, 169, 171, 196,  
D12/216

CPC ..... E05B 81/56; E05B 81/80; E05B 65/00;  
E05B 65/06; E05B 65/10; E05B 65/12;  
E05B 79/06; B60J 5/04

See application file for complete search history.

(56) **References Cited**

**U.S. PATENT DOCUMENTS**

D468,675 S \* 1/2003 Murkett ..... D12/196  
D558,113 S \* 12/2007 Leclercq ..... D12/196  
D573,522 S \* 7/2008 Sato ..... D12/196  
D580,332 S \* 11/2008 Gueler ..... D12/196  
D583,288 S \* 12/2008 Leclercq ..... D12/196  
D593,016 S \* 5/2009 Habib ..... D12/196  
D593,471 S \* 6/2009 Larson ..... D12/196  
D593,918 S \* 6/2009 Larson ..... D12/196  
D601,072 S \* 9/2009 Giachin ..... D12/196

D615,017 S \* 5/2010 Smith ..... D12/195  
D616,348 S \* 5/2010 Rosenbohm ..... D12/195  
D620,415 S \* 7/2010 Froehlich ..... D12/196  
D629,730 S \* 12/2010 Schneider ..... D12/196

(Continued)

*Primary Examiner* — Susan Bennett Hattan

*Assistant Examiner* — Suzanne E Tisdell

(74) *Attorney, Agent, or Firm* — Wood Herron & Evans  
LLP

(57) **CLAIM**

The ornamental design for a front door for a vehicle, as  
shown and described.

**DESCRIPTION**

FIG. 1 is a front left perspective view of a front door for a  
vehicle according to the present invention.

FIG. 2 is a front right perspective view of the front door  
shown in FIG. 1.

FIG. 3 is a rear left perspective view thereof.

FIG. 4 is a rear right perspective view thereof.

FIG. 5 is a front view thereof.

FIG. 6 is a rear view thereof.

FIG. 7 is a left side view thereof.

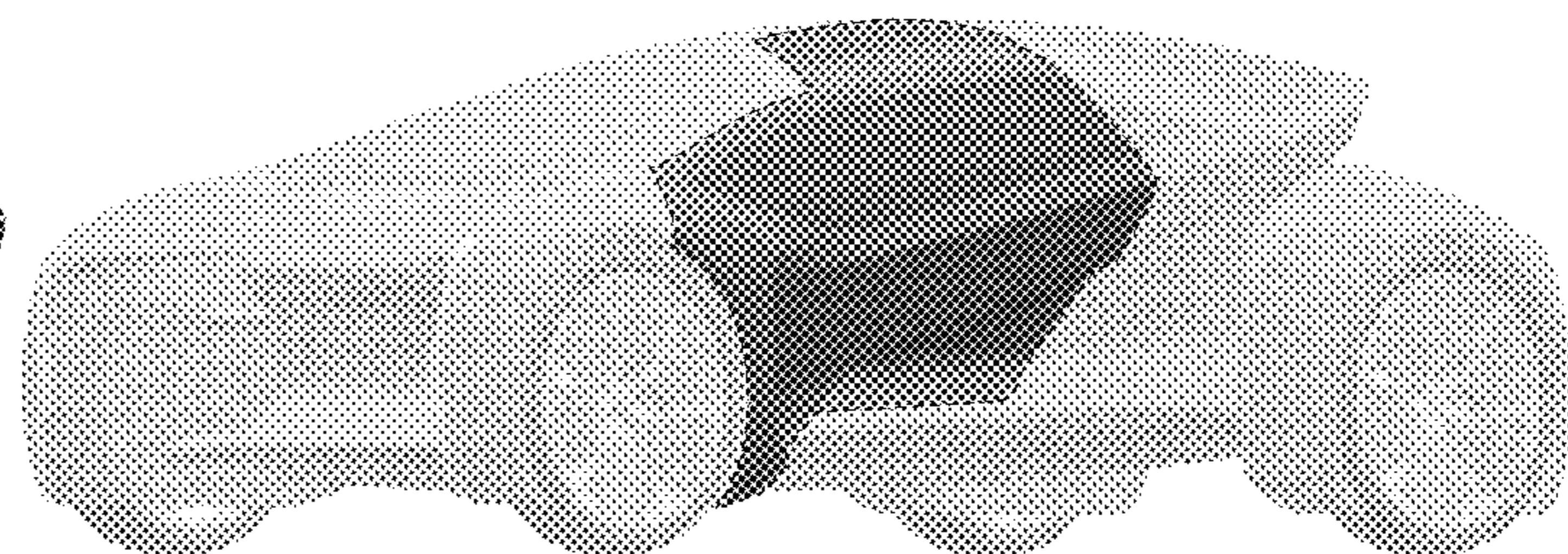
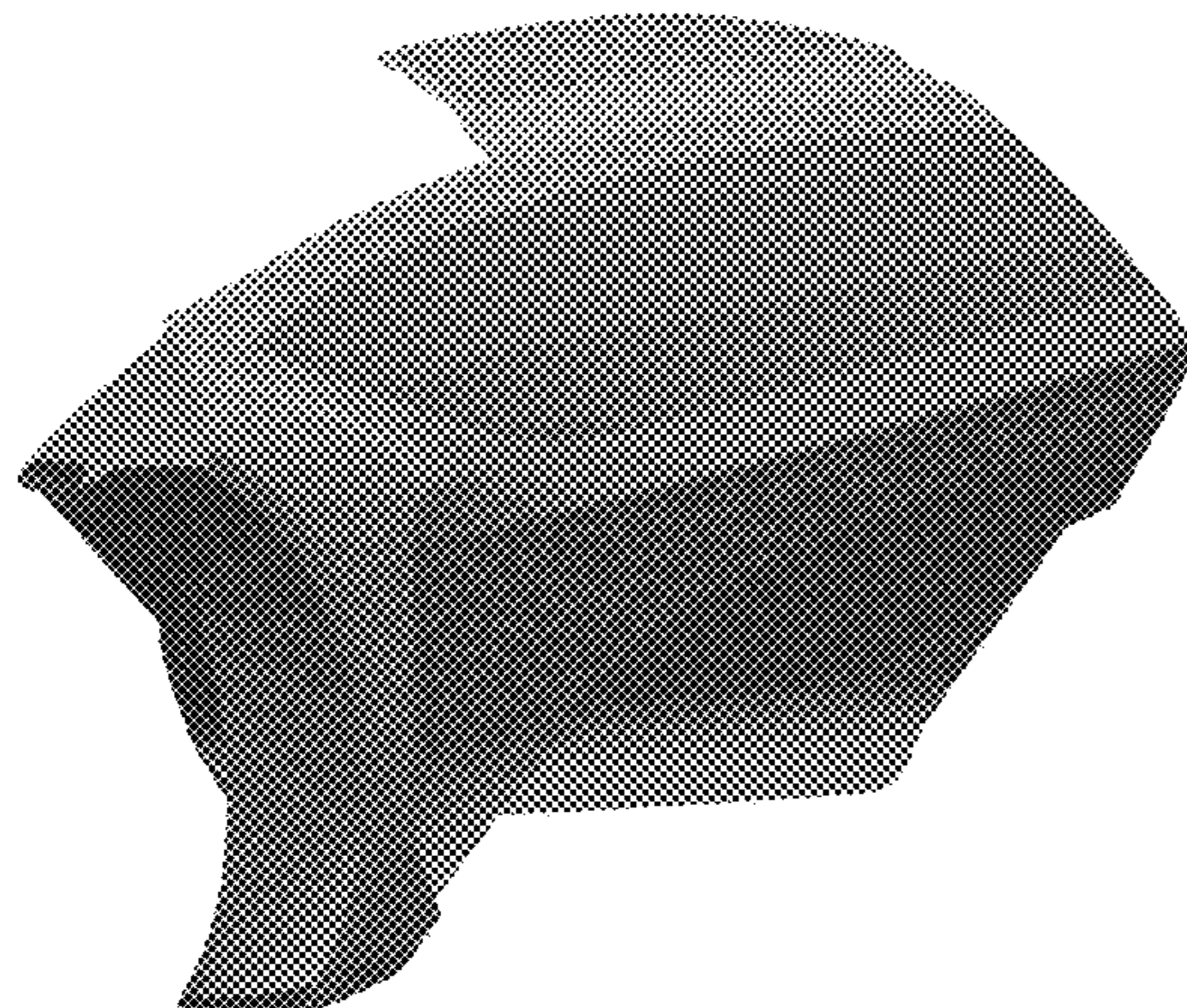
FIG. 8 is a right side view thereof.

FIG. 9 is a top view thereof.

FIG. 10 is a bottom view thereof; and,

FIG. 11 is a front left perspective view of the front door  
shown in FIG. 1-10, but with the front door mounted on a  
vehicle, and the rest of the vehicle shown in de-emphasized  
and half-tone portions so as to illustrate environmental  
structure. These portions form no part of the claimed inven-  
tion. More particularly, in FIG. 11, the inventive front door  
is shown within the broken line, and the elements shown  
outside the broken line form no part of the claimed inven-  
tion, but are instead included to show environmental aspects  
thereof. The invention also contemplates a mirror image  
door on the opposite side of the vehicle.

**1 Claim, 10 Drawing Sheets**



(56)

References Cited

U.S. PATENT DOCUMENTS

D633,022 S *	2/2011	Hwang	D12/195	2003/0177796 A1*	9/2003	Dimig	E05B 79/06
D633,023 S *	2/2011	Hwang	D12/195				70/237
D636,317 S *	4/2011	Matei	D12/196	2009/0079228 A1*	3/2009	Sturt	B60N 2/78
D645,388 S *	9/2011	Kumai	D12/196				296/153
D653,187 S *	1/2012	Tomatsu	D12/196	2009/0121515 A1*	5/2009	Shiono	B60N 3/026
D665,321 S *	8/2012	Huet	D12/196				296/146.6
D674,328 S *	1/2013	Ikuma	D12/196	2010/0301618 A1*	12/2010	Costigan	E05B 77/06
D676,366 S *	2/2013	Yamada	D12/196				292/93
D695,178 S *	12/2013	Tada	D12/196	2011/0219700 A1*	9/2011	Grudzinski	B60J 10/40
D695,663 S *	12/2013	Suga	D12/196				49/493.1
D699,654 S *	2/2014	Okue	D12/196	2012/0272578 A1*	11/2012	Ellinghaus	E05D 15/101
D700,875 S *	3/2014	Jevremovic	D12/196				49/358
D701,809 S *	4/2014	Hildebrand	D12/196	2013/0020816 A1*	1/2013	Saitou	E05B 79/06
D703,123 S *	4/2014	Hildebrand	D12/196				292/336.3
D705,149 S *	5/2014	Sakae	D12/196	2013/0055643 A1*	3/2013	Setina	B60J 11/06
D758,270 S *	6/2016	Zadnik	D12/196				49/463
D762,541 S *	8/2016	Jo	D12/196	2013/0341961 A1*	12/2013	Mori	B60J 5/04
D763,156 S *	8/2016	Jo	D12/196				296/146.2
D765,571 S *	9/2016	Faghihzadeh	D12/196	2014/0132025 A1*	5/2014	Usami	B60J 1/2063
D772,758 S *	11/2016	Frascella	D12/92				296/97.8
D772,772 S *	11/2016	Frascella	D12/196	2015/0035310 A1*	2/2015	Yamaguchi	B60R 13/0206
D775,567 S *	1/2017	Faghihzadeh	D12/196				296/153
D776,593 S *	1/2017	Schneider	D12/196	2015/0329057 A1*	11/2015	Tiboni	B60R 13/0243
D779,407 S *	2/2017	Bae	D12/196				296/37.13
D781,194 S *	3/2017	Bae	D12/196	2015/0360623 A1*	12/2015	Larsen	B60R 13/02
D785,529 S *	5/2017	Kyung	D12/196				296/29
D785,531 S *	5/2017	Lim	D12/196	2016/0114658 A1*	4/2016	Yokota	B60J 10/45
D786,761 S *	5/2017	Luk	D12/196				49/489.1
D801,246 S *	10/2017	Lee	D12/196	2016/0160540 A1*	6/2016	Bejune	E05B 77/06
D803,121 S *	11/2017	Granlund	D12/196				292/196
D803,122 S *	11/2017	Granlund	D12/196	2016/0187107 A1*	6/2016	Johnston	F41H 7/00
2003/0140566 A1*	7/2003	Sommer	B60J 5/0406				89/36.08
			49/502	2016/0280129 A1*	9/2016	Newbound	B60R 13/0237
				2018/0051492 A1*	2/2018	Smith	B60J 5/04
				2018/0051493 A1*	2/2018	Krishnan	G07C 9/00182

\* cited by examiner

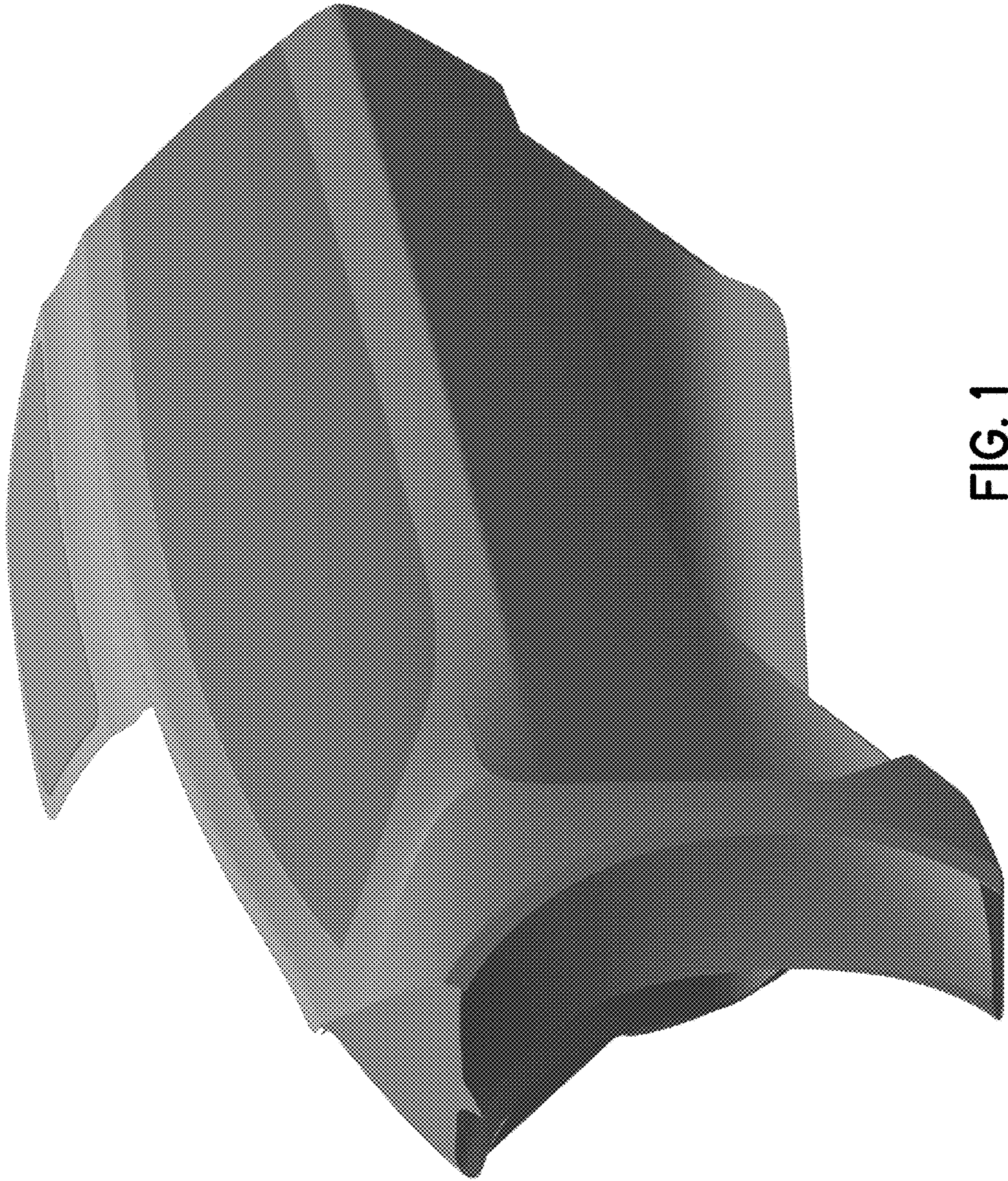


FIG. 1

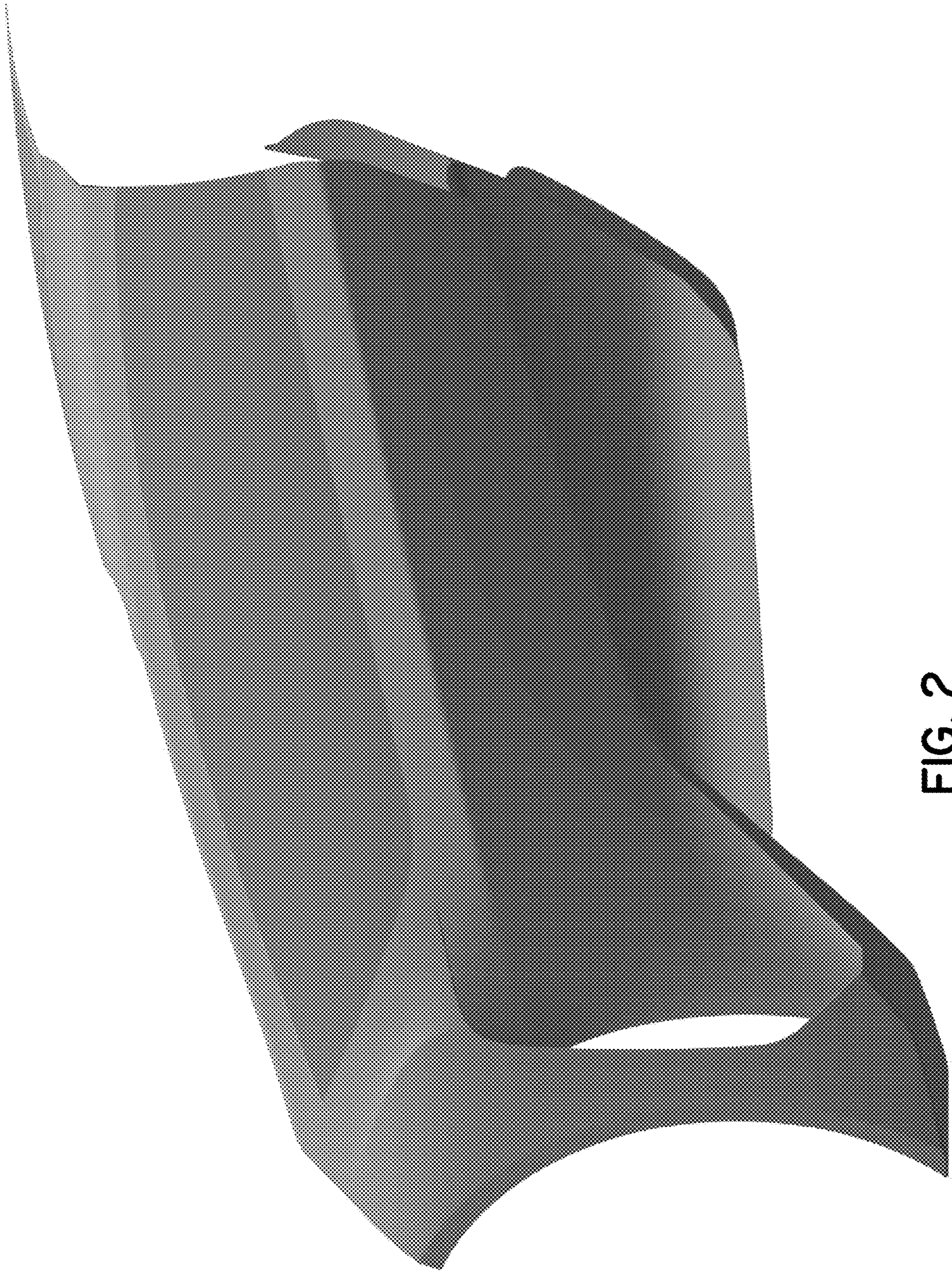


FIG. 2

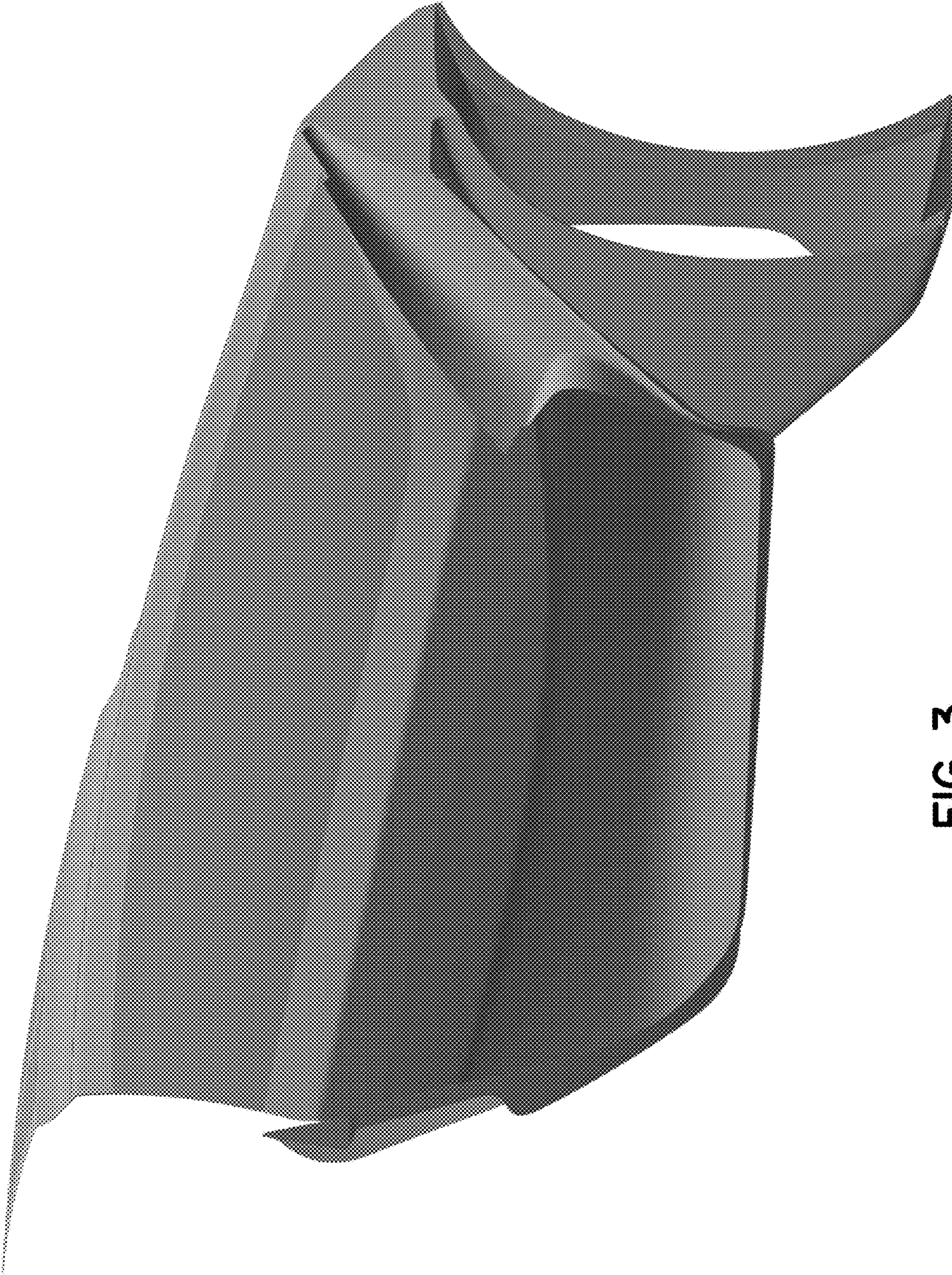


FIG. 3

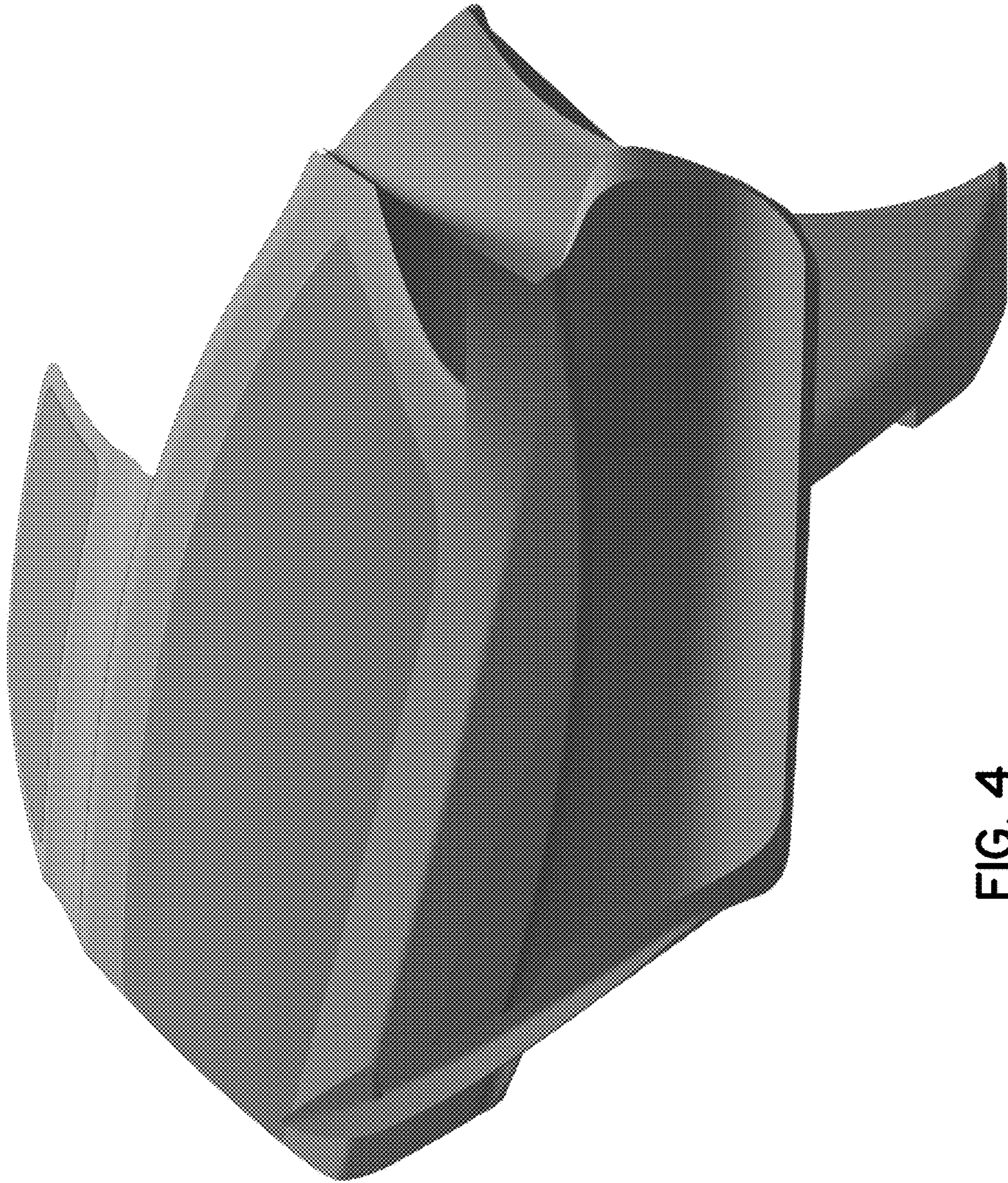


FIG. 4

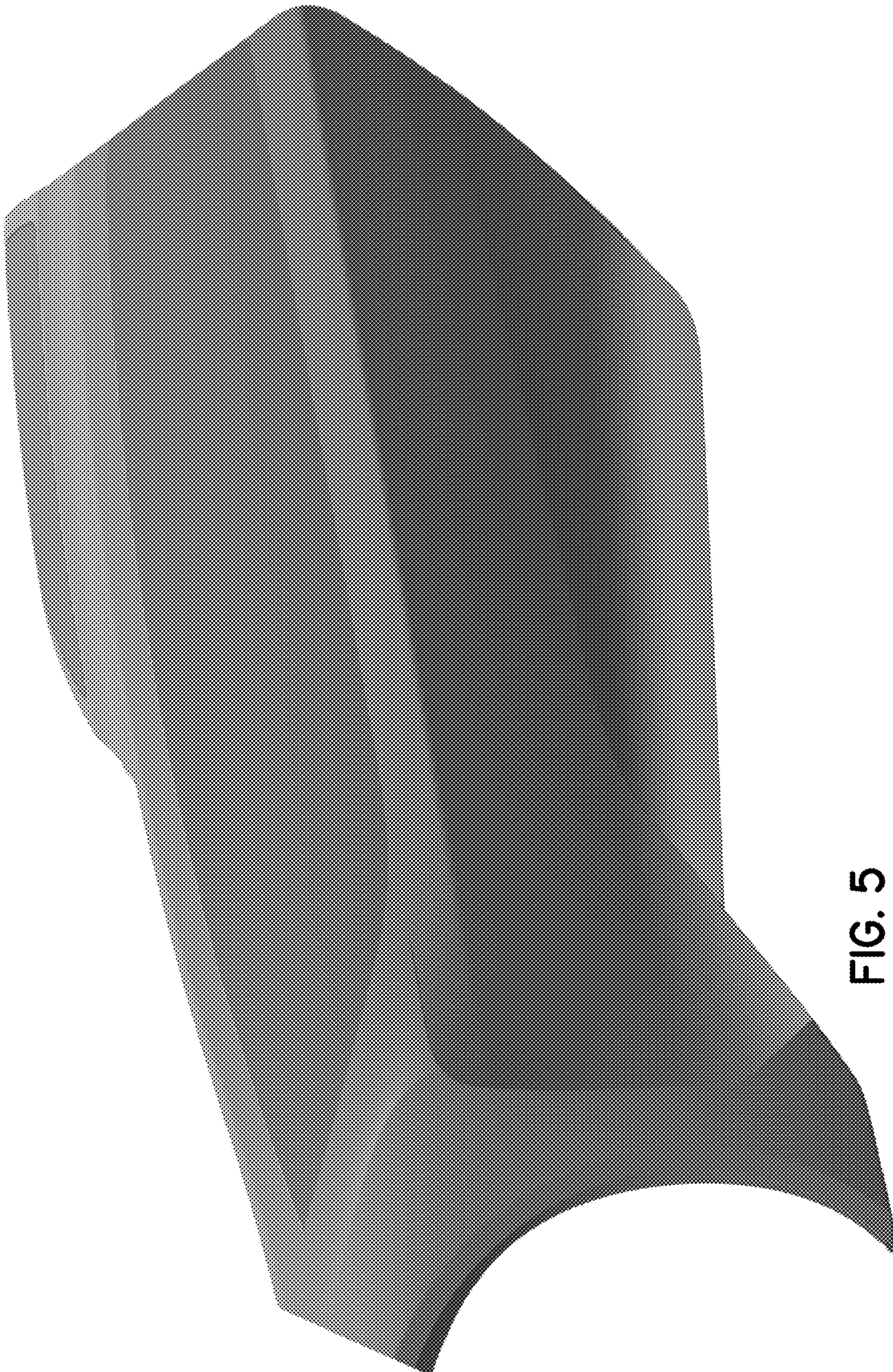


FIG. 5

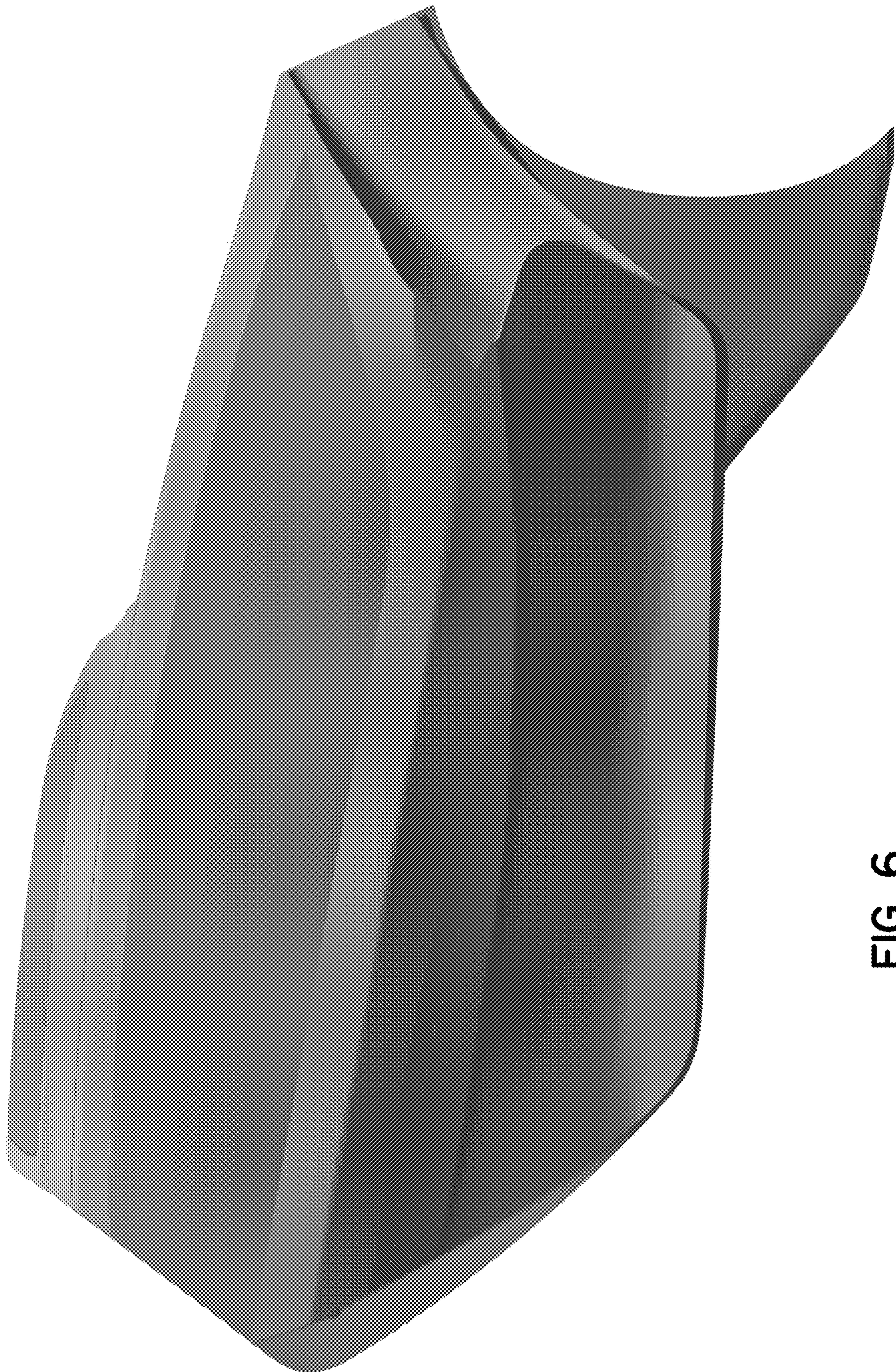


FIG. 6



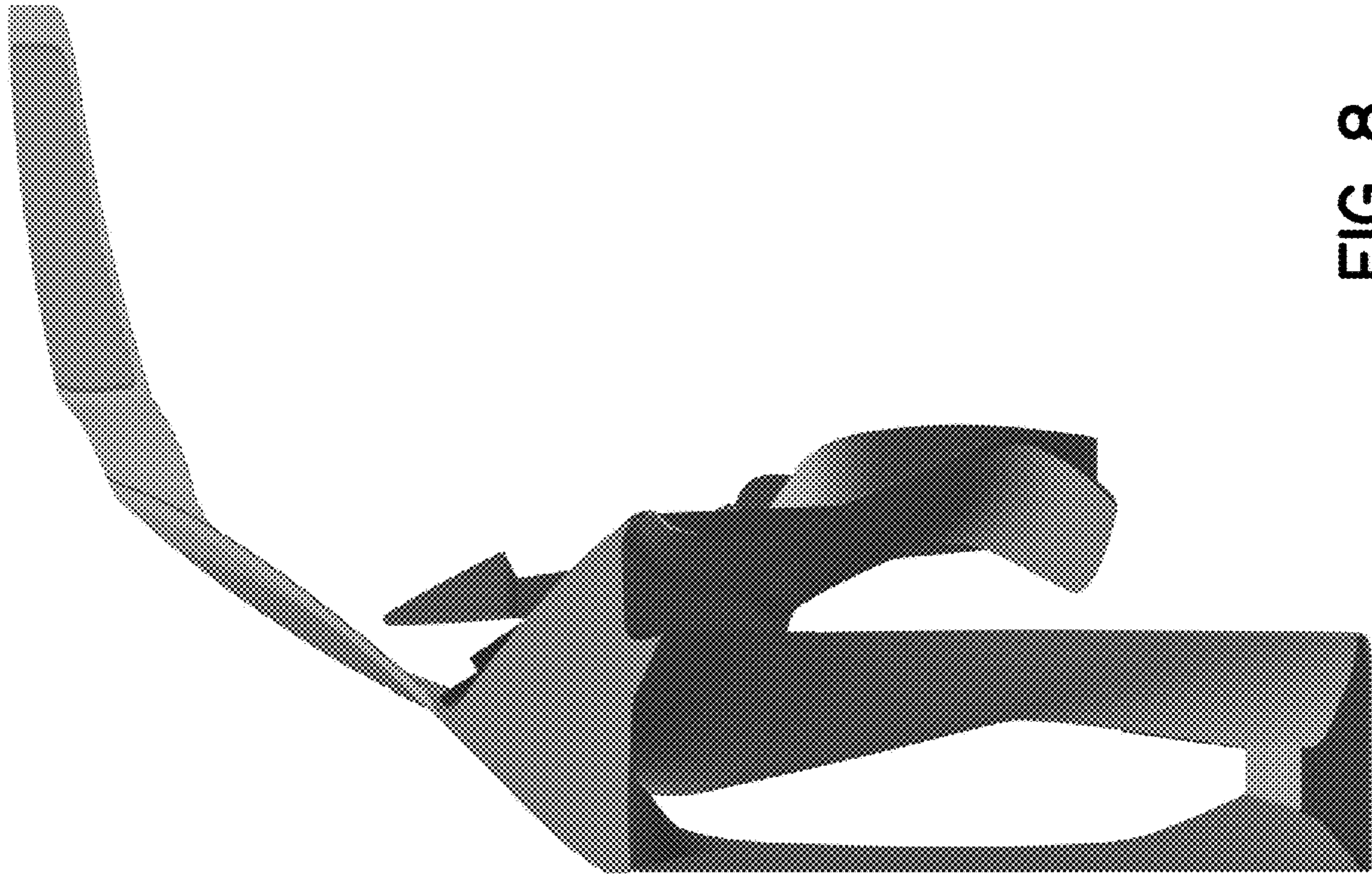


FIG. 8

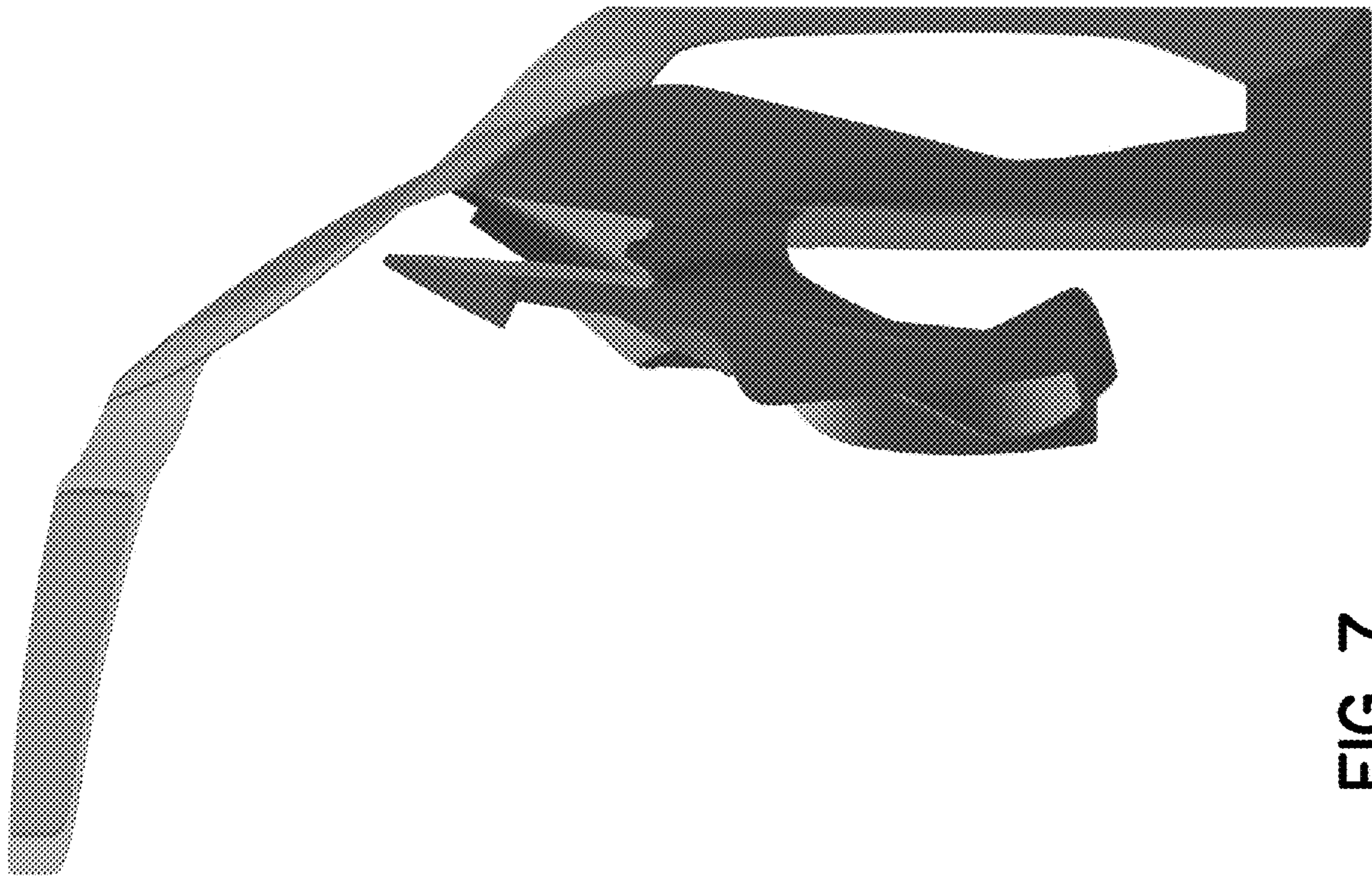


FIG. 7

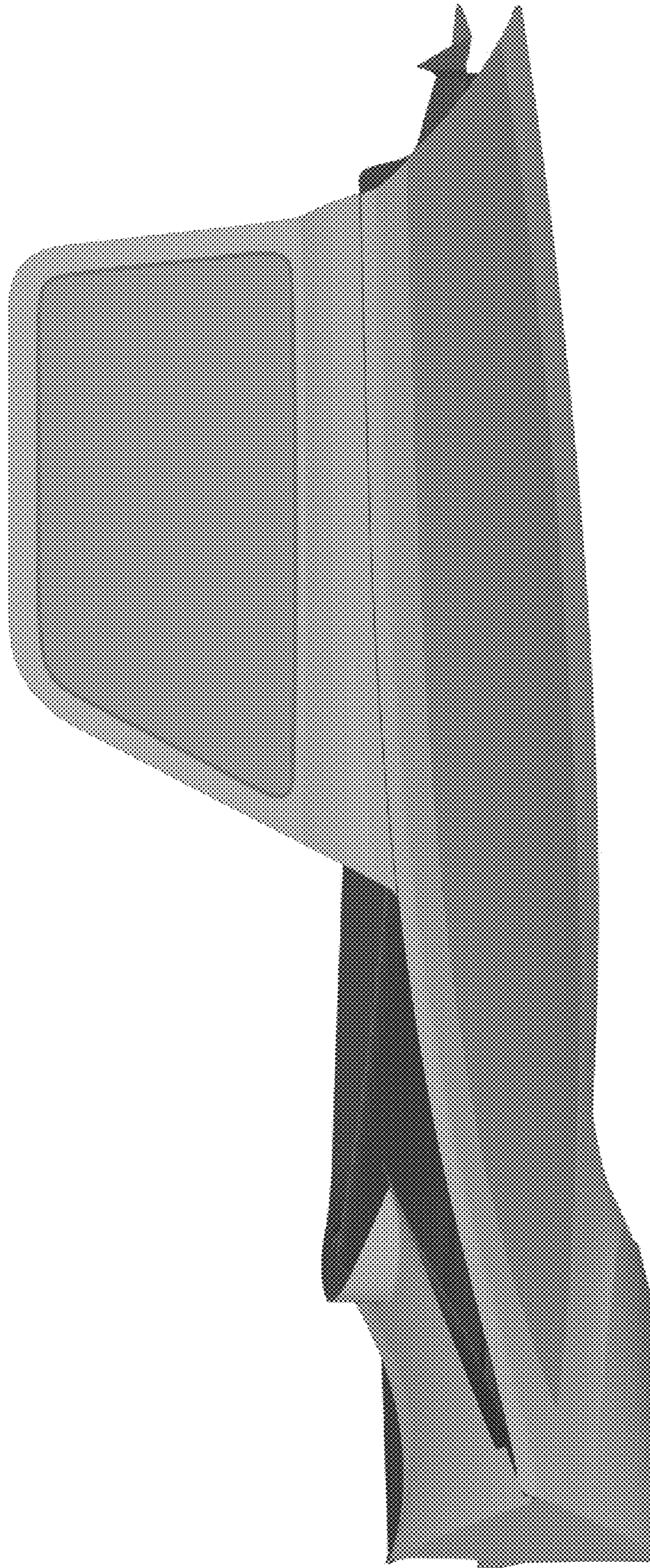


FIG. 9

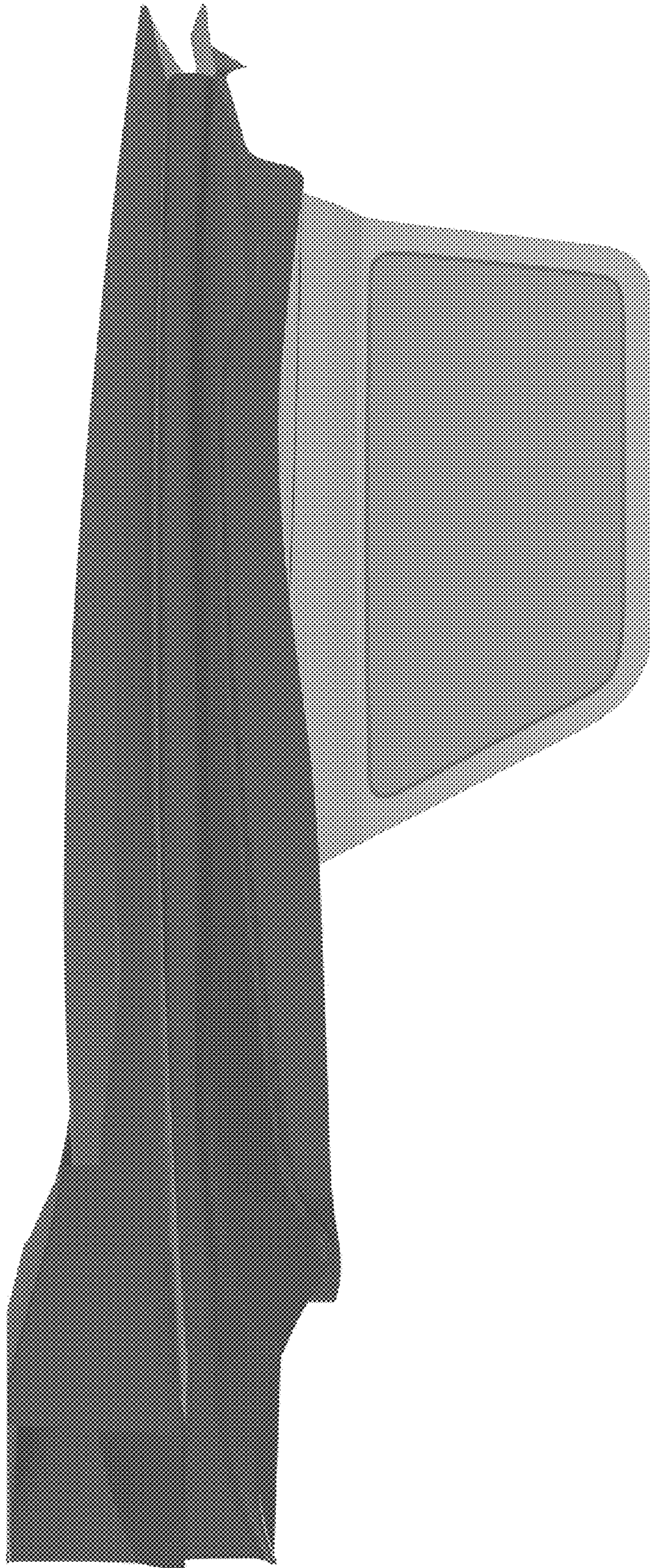


FIG. 10

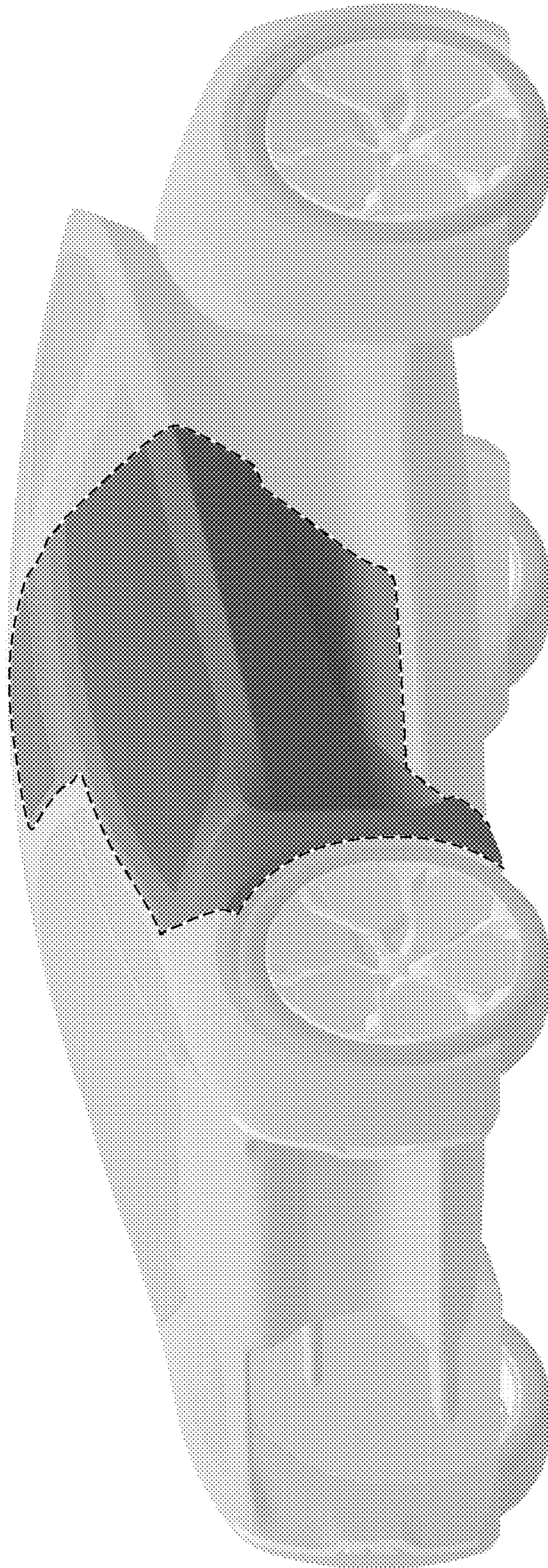


FIG. 11