



US00D889342S

(12) **United States Design Patent**
Holman

(10) **Patent No.:** **US D889,342 S**
(45) **Date of Patent:** **** Jul. 7, 2020**

(54) **DECORATIVE VEHICLE PIPE TIP**

D654,839 S * 2/2012 Contreras D12/194
D740,733 S * 10/2015 Rich D12/194
D747,746 S * 1/2016 Giordano D12/114

(71) Applicant: **Raymond A. Holman**, Grand Rapids,
MI (US)

(72) Inventor: **Raymond A. Holman**, Grand Rapids,
MI (US)

(**) Term: **15 Years**

(21) Appl. No.: **29/681,380**

(22) Filed: **Feb. 25, 2019**

OTHER PUBLICATIONS

Co-pending and commonly-owned Design U.S. Appl. No. 29/522,339,
filed Mar. 30, 2015.

* cited by examiner

Primary Examiner — Michael A. Pratt

(74) *Attorney, Agent, or Firm* — Gardner, Linn, Burkhardt
& Ondersma LLP

Related U.S. Application Data

(62) Division of application No. 29/590,194, filed on Jan.
9, 2017, now Pat. No. Des. 841,546, which is a
division of application No. 29/522,339, filed on Mar.
30, 2015, now Pat. No. Des. 776,031.

(51) **LOC (12) Cl.** **12-16**

(52) **U.S. Cl.**
USPC **D12/194**

(58) **Field of Classification Search**
USPC D12/194; D15/5
CPC F01N 13/082; F01N 13/1805; F01N 13/20;
F01N 2270/08

See application file for complete search history.

(57) **CLAIM**

The ornamental design for a decorative vehicle pipe tip, as
shown and described.

DESCRIPTION

FIG. 1 is a top perspective view of a decorative vehicle pipe
tip showing my new design;

FIG. 2 is a front elevation of the decorative vehicle pipe tip
of FIG. 1;

FIG. 3 is a right side elevation of the decorative vehicle pipe
tip of FIG. 1, wherein a left side elevation is a mirror image
of FIG. 3;

FIG. 4 is a top plan view of the decorative vehicle pipe tip
of FIG. 1; and,

FIG. 5 is a bottom plan view of the decorative vehicle pipe
tip of FIG. 1.

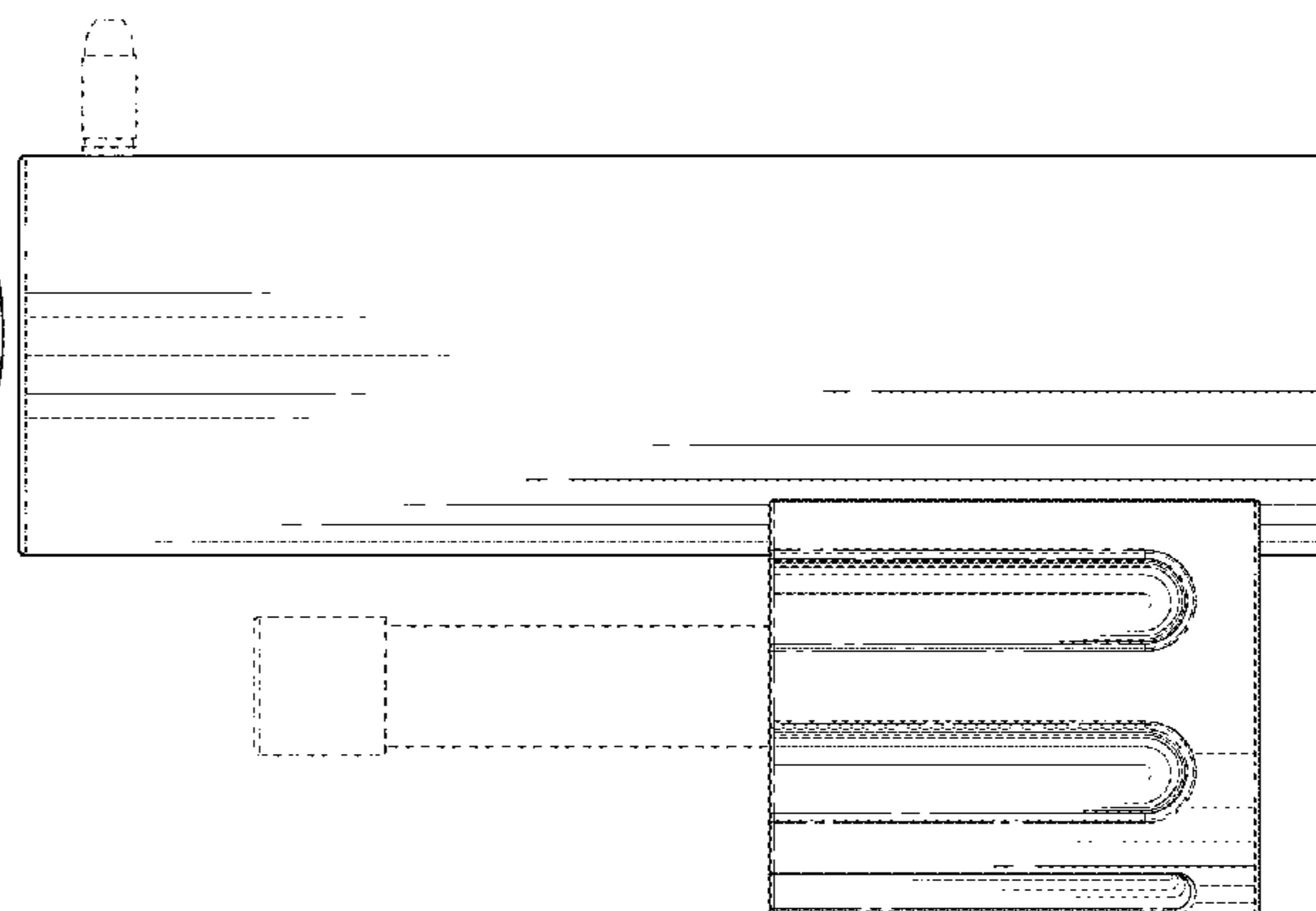
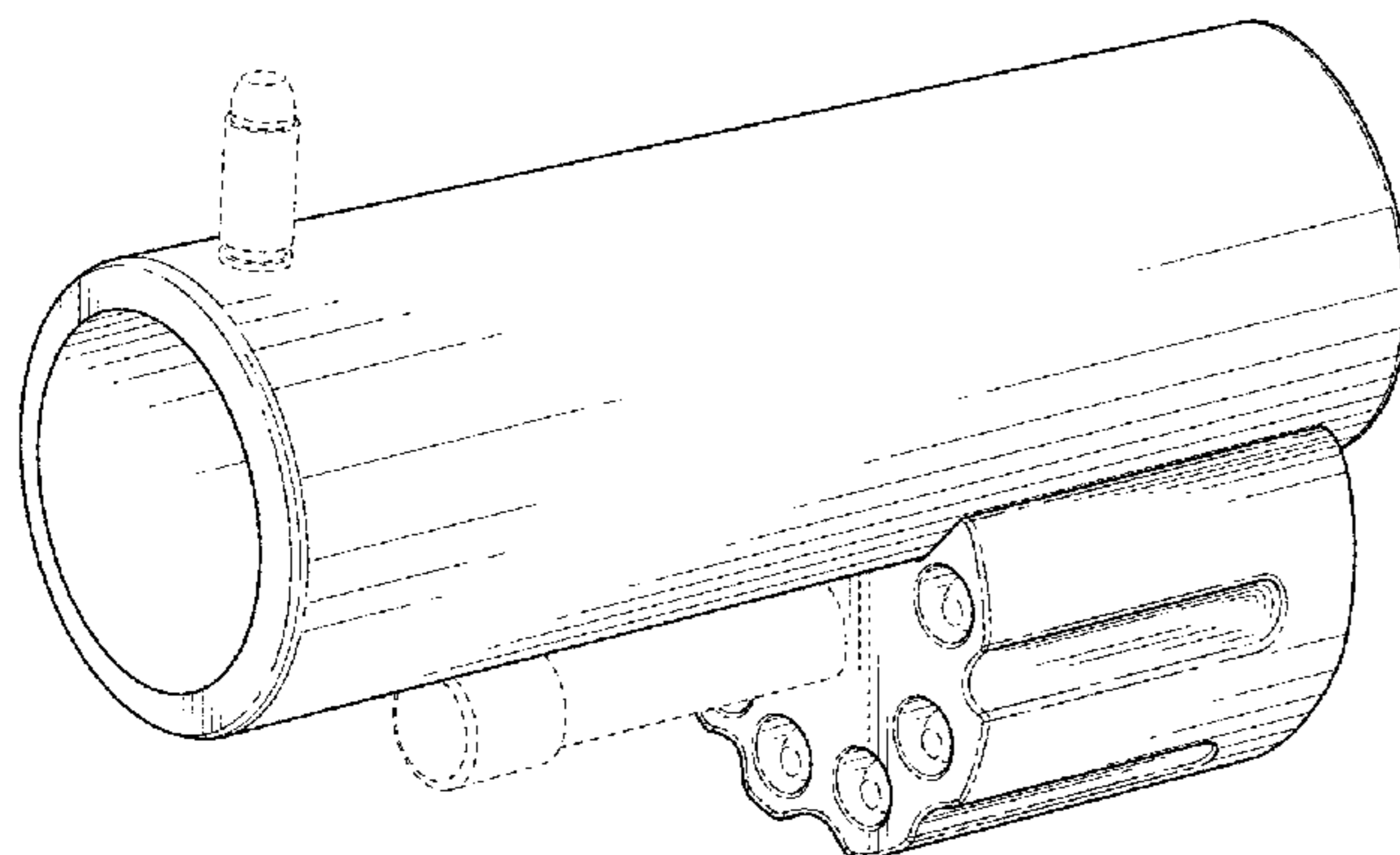
A rear elevation of the decorative vehicle pipe tip constitutes
no part of the claimed design. In the drawings, the broken
lines depict unclaimed subject matter only and form no part
of the claimed design.

(56) **References Cited**

U.S. PATENT DOCUMENTS

D351,579 S * 10/1994 Simpson D12/194
D447,456 S * 9/2001 Larson D12/194
D465,181 S * 11/2002 Wang D12/194
D523,796 S * 6/2006 Marques D12/194
D563,301 S * 3/2008 Douglas D12/194
D605,100 S * 12/2009 Douglas D12/194

1 Claim, 2 Drawing Sheets



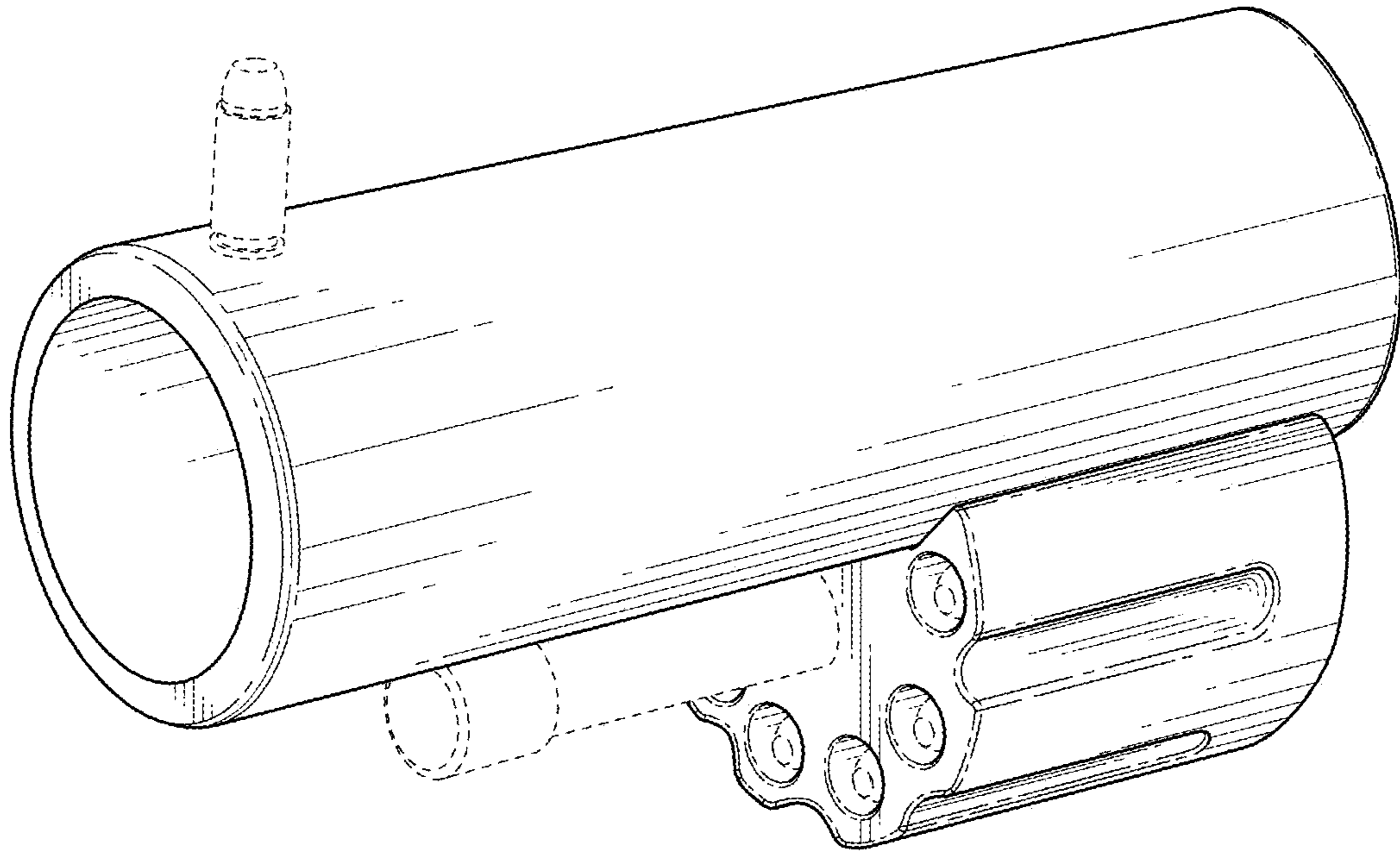


FIG. 1

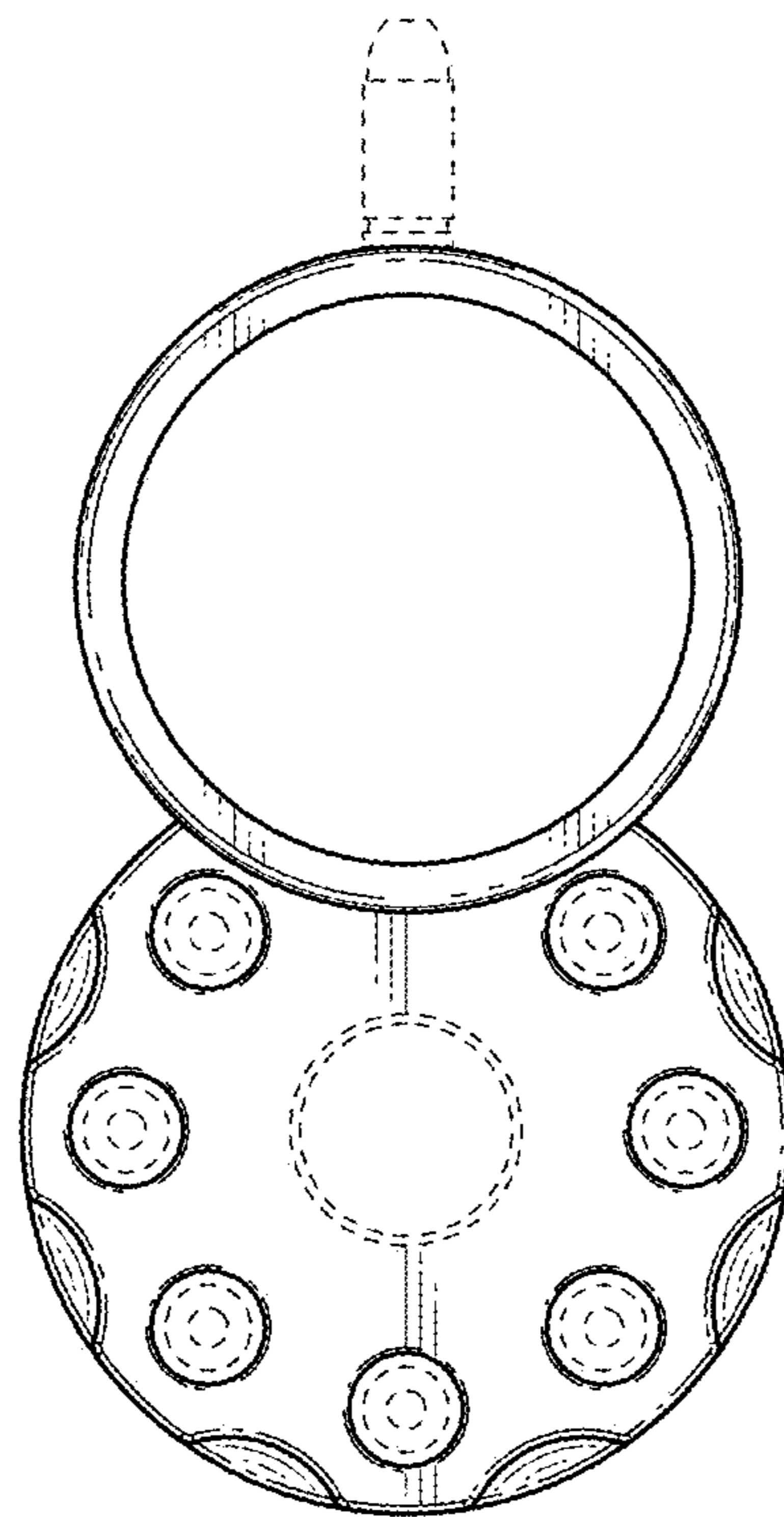


FIG. 2

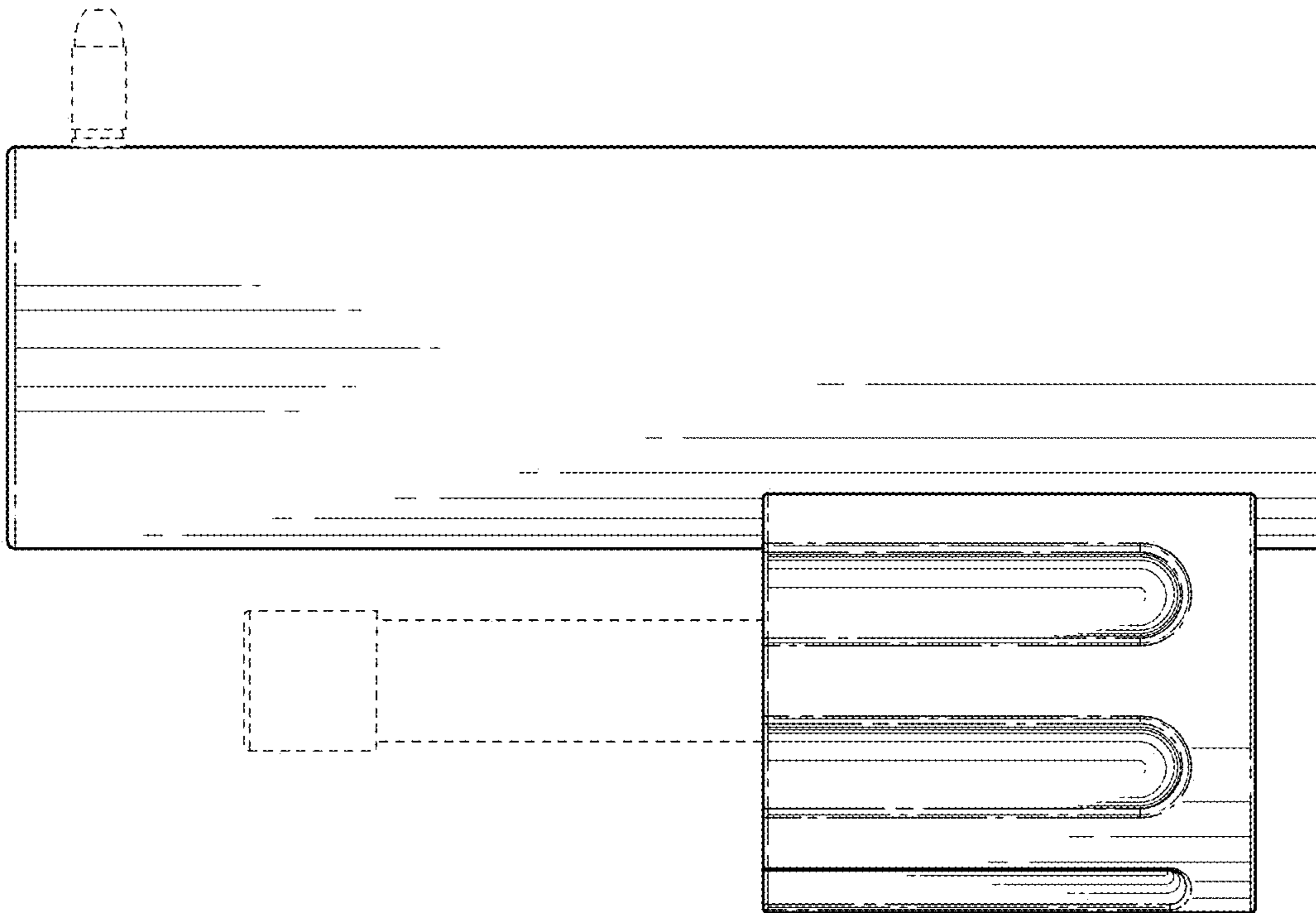


FIG. 3

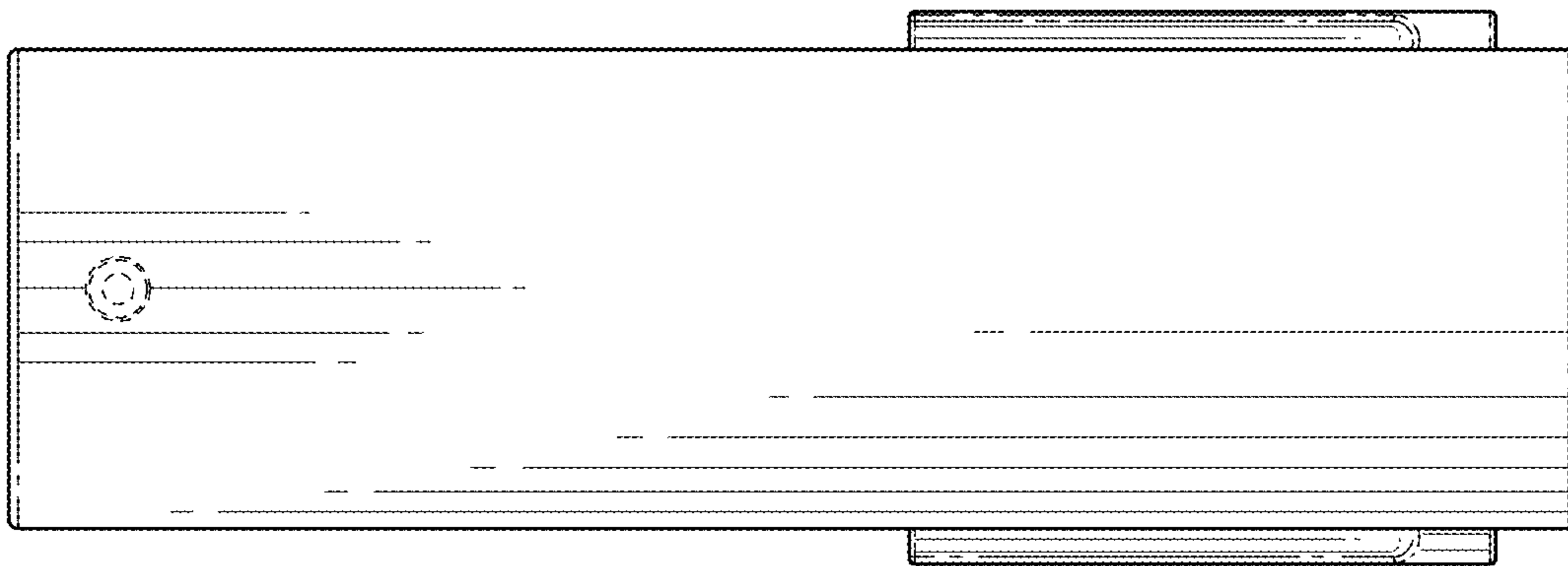


FIG. 4

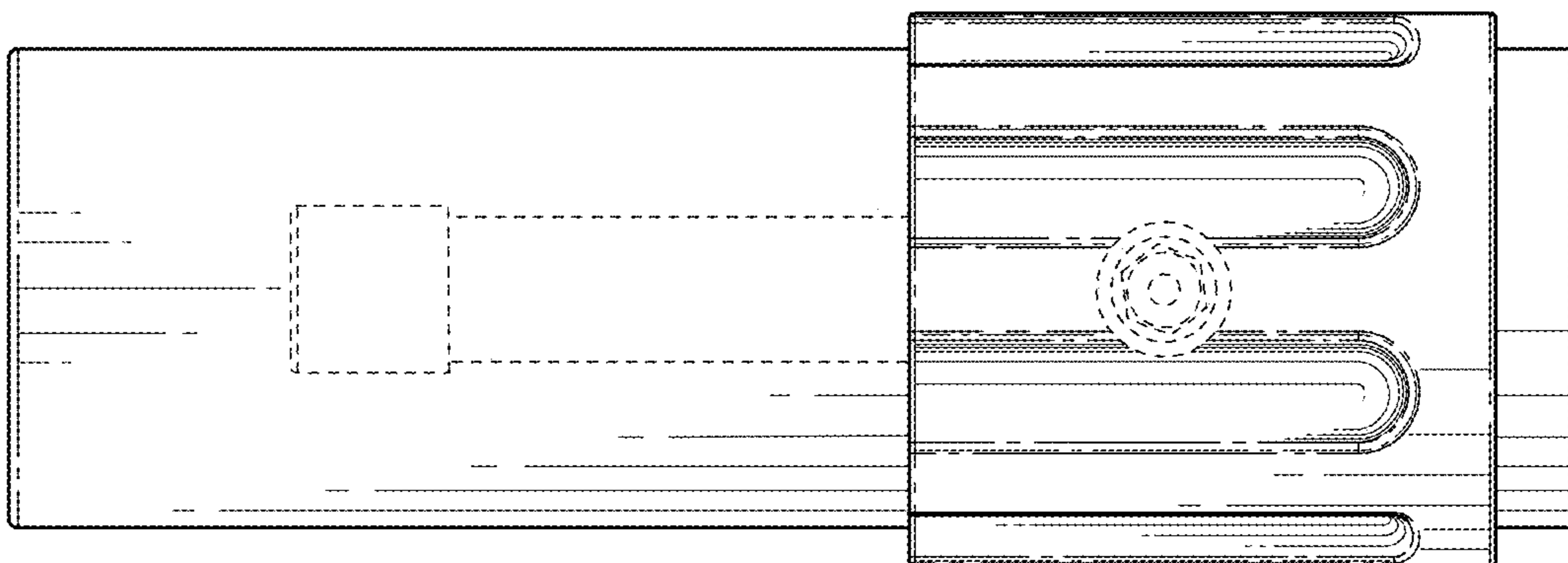


FIG. 5