



US00D889341S

(12) **United States Design Patent**
Druffel

(10) **Patent No.:** **US D889,341 S**

(45) **Date of Patent:** **** Jul. 7, 2020**

(54) **VEHICLE MOUNTING BRACKET FOR A PERMIT**

(71) Applicant: **Karen Druffel**, Elkridge, MD (US)

(72) Inventor: **Karen Druffel**, Elkridge, MD (US)

(**) Term: **15 Years**

(21) Appl. No.: **29/681,638**

(22) Filed: **Feb. 27, 2019**

(51) **LOC (12) Cl.** **12-16**

(52) **U.S. Cl.**
USPC **D12/193**

(58) **Field of Classification Search**
USPC D12/193; D6/300, 301, 302, 310, 311,
D6/312, 313, 314; D20/13
CPC B60R 13/10; B60R 13/105; B60R 19/24;
B60R 19/52
See application file for complete search history.

(56) **References Cited**

U.S. PATENT DOCUMENTS

D312,066 S *	11/1990	Fabbrini	D12/193
D370,450 S *	6/1996	Doan	D12/193
D377,637 S *	1/1997	Berry, Jr.	D12/193
D379,611 S *	6/1997	Berry, Jr.	D12/193
D396,679 S *	8/1998	Findel, II	D12/193

D406,806 S *	3/1999	Wallace	D12/193
D416,520 S *	11/1999	Bulger	D12/114
D430,074 S *	8/2000	Bulger	D12/114
D565,113 S *	3/2008	Fischer, III	D20/13
D713,771 S *	9/2014	Kuo	D12/193
D834,479 S *	11/2018	Spencer	D12/193
D836,511 S *	12/2018	Maeda	D12/193
D847,713 S *	5/2019	Swisher	D12/193
D868,658 S *	12/2019	Swisher	D12/193

* cited by examiner

Primary Examiner — Natasha Vujcic

(74) *Attorney, Agent, or Firm* — Maier & Maier, PLLC

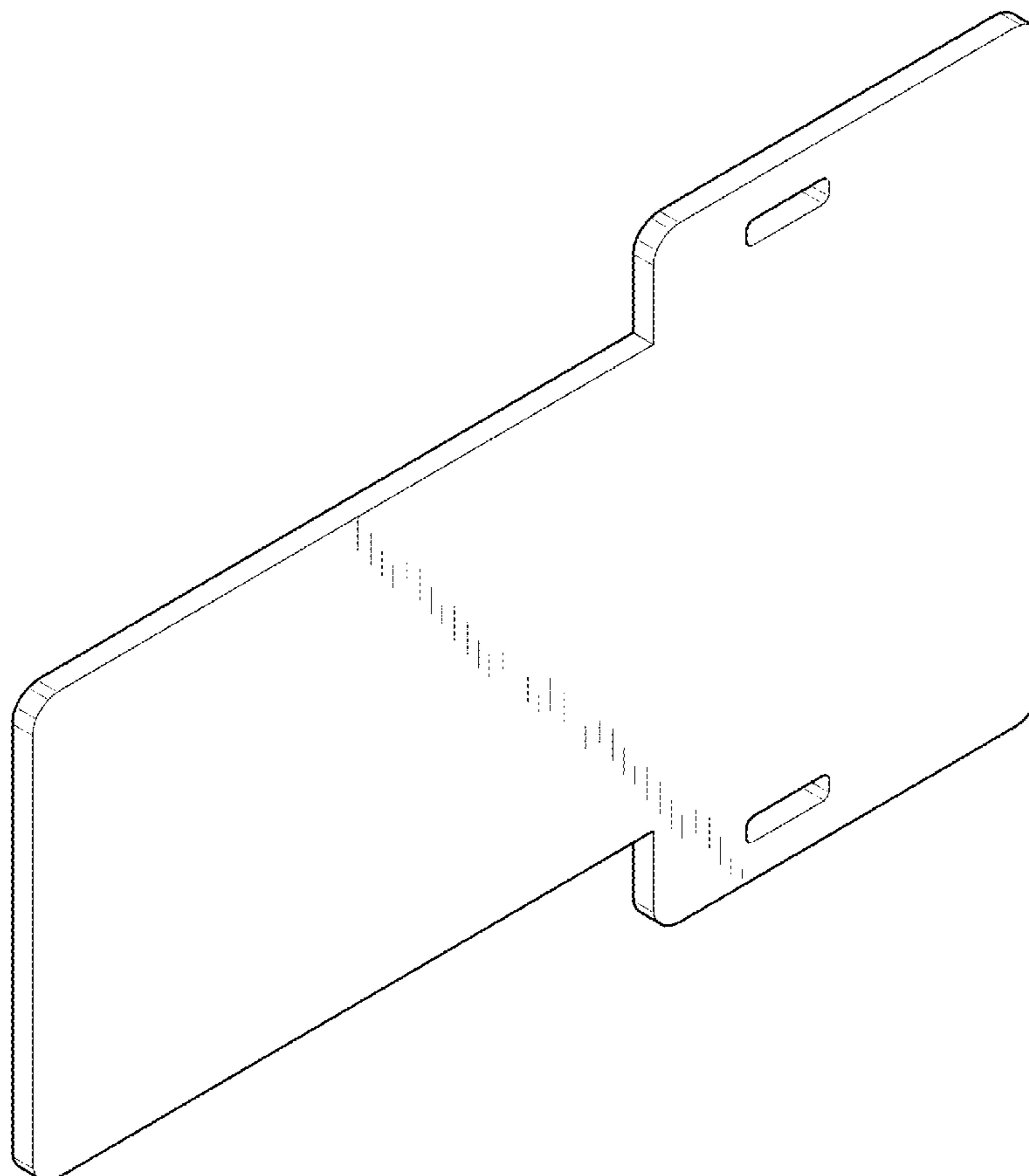
(57) **CLAIM**

The ornamental design for a vehicle mounting bracket for a permit, as shown and described.

DESCRIPTION

FIG. 1 is a front perspective view of a vehicle mounting bracket for a permit;
FIG. 2 is a rear view thereof;
FIG. 3 is a front view thereof;
FIG. 4 is a top view thereof;
FIG. 5 is a right view thereof;
FIG. 6 is a left view thereof;
FIG. 7 is a bottom view thereof; and,
FIG. 8 is a front perspective view thereof with environment.
The broken lines show environmental structure and form no part of the claimed design.

1 Claim, 3 Drawing Sheets



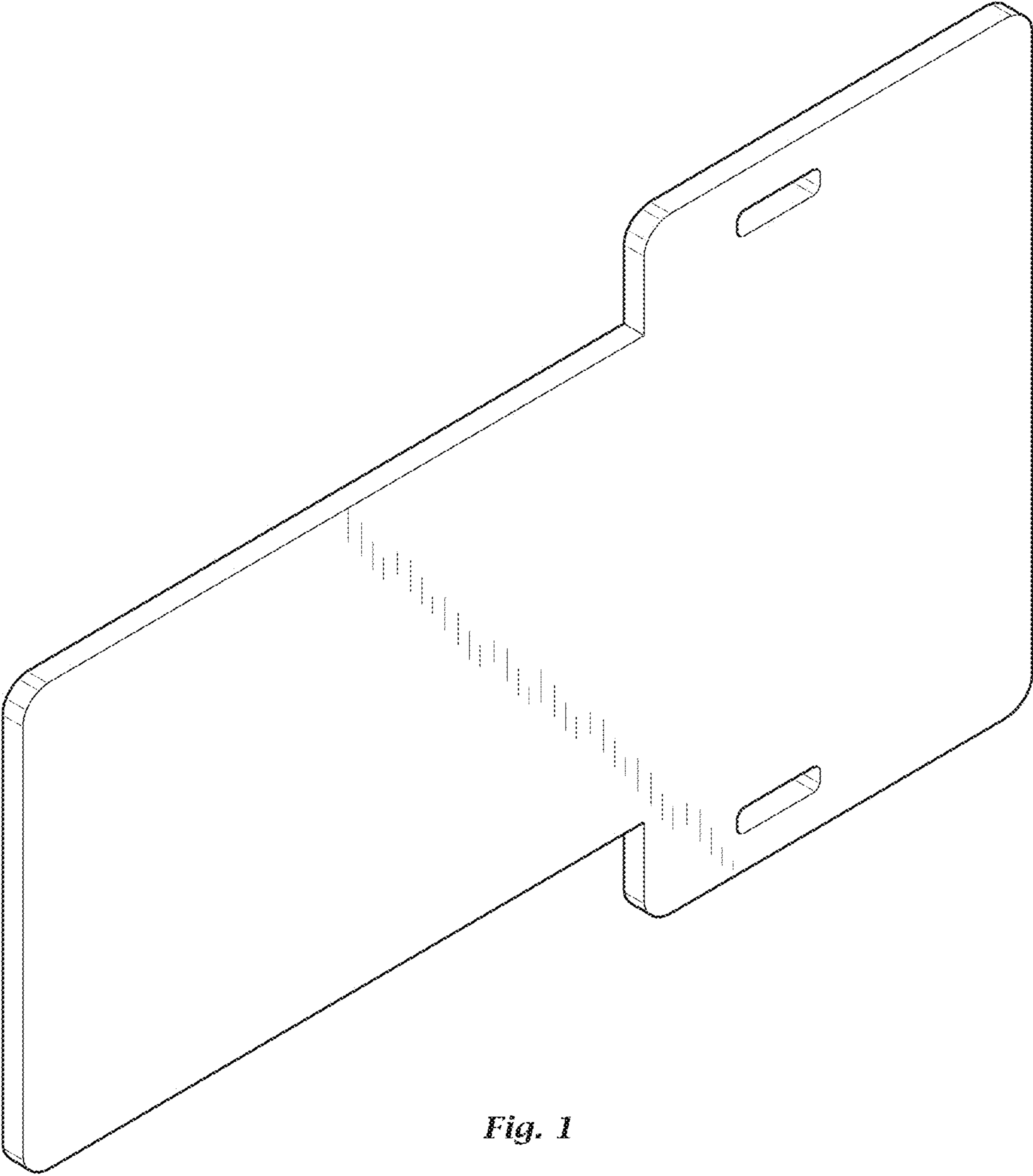


Fig. 1

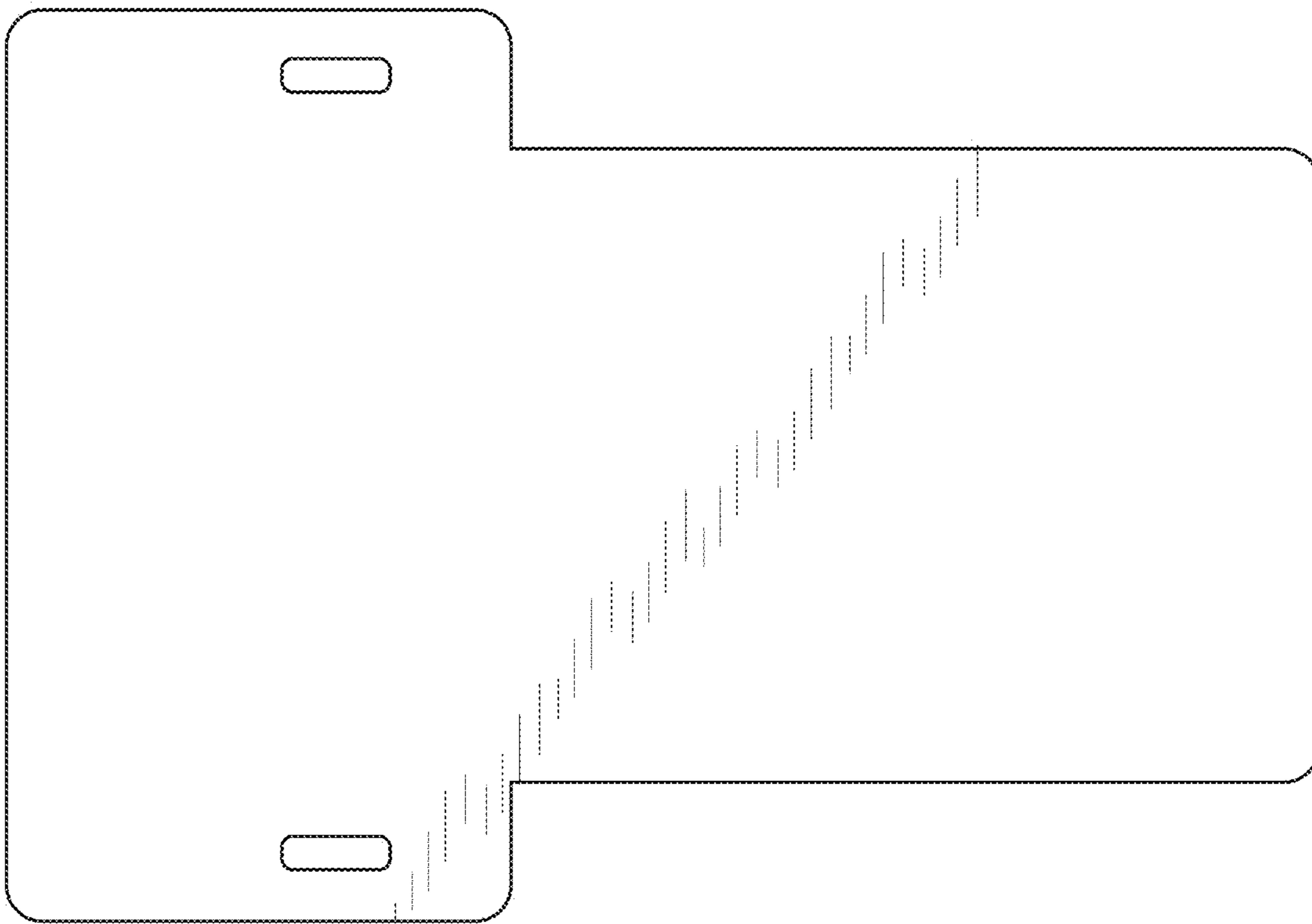


Fig. 2

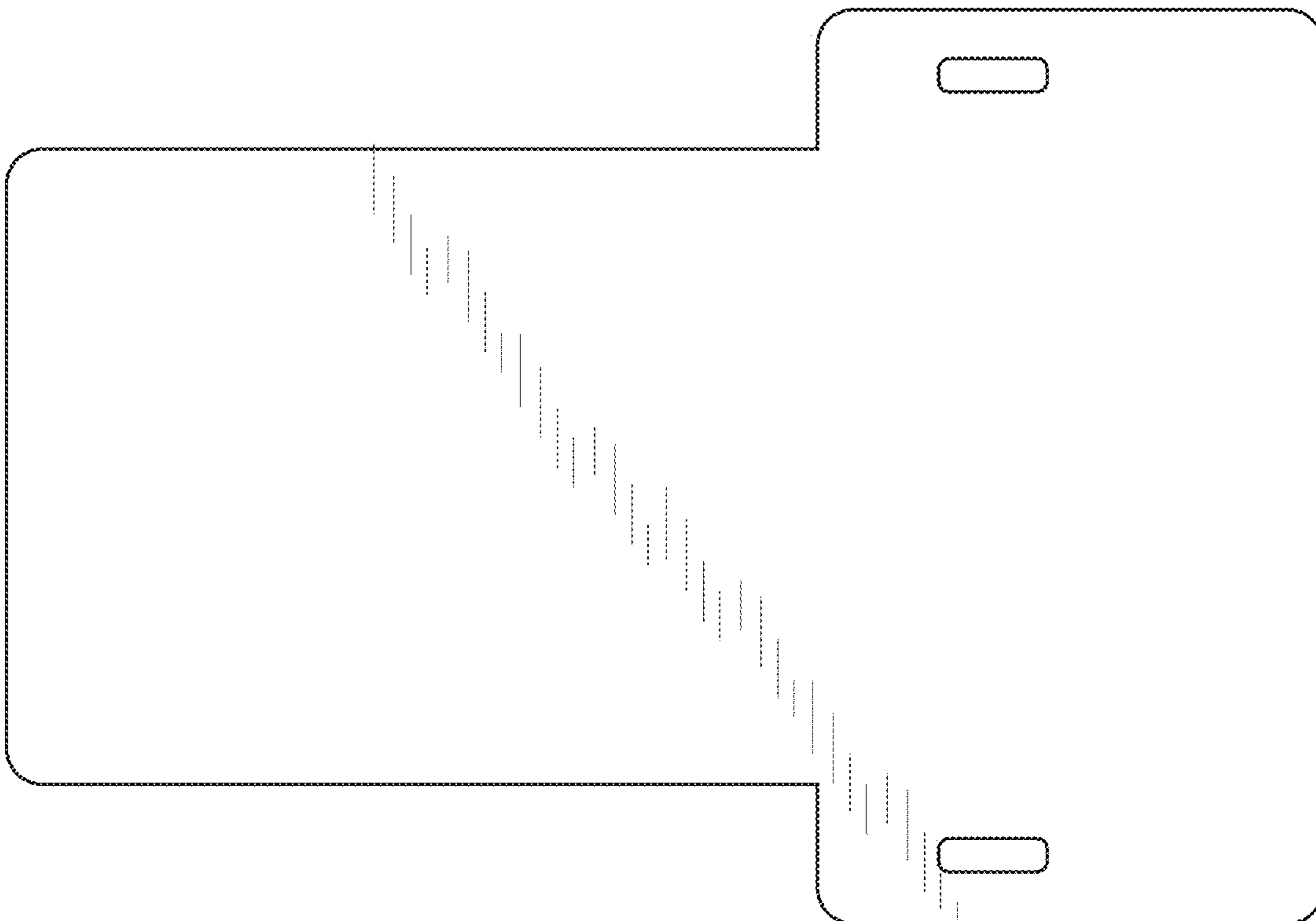


Fig. 3

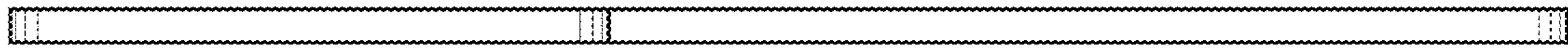


Fig. 4



Fig. 5



Fig. 6

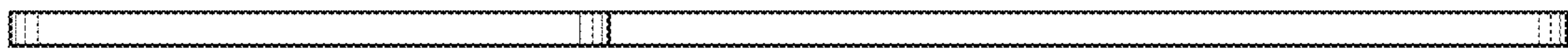


Fig. 7

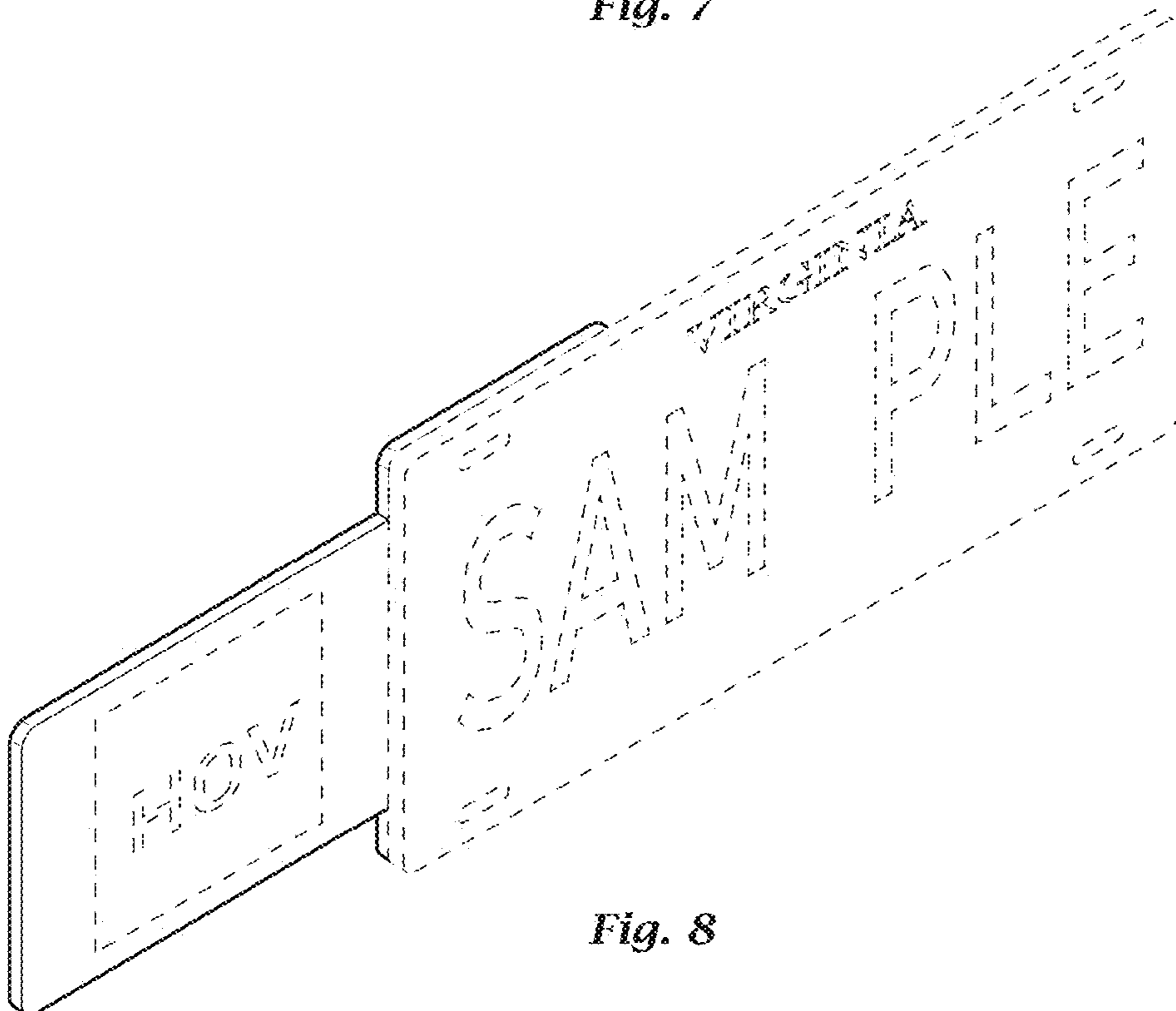


Fig. 8