



US00D889340S

(12) **United States Design Patent**  
**Lun et al.**

(10) **Patent No.:** **US D889,340 S**  
(45) **Date of Patent:** **\*\* Jul. 7, 2020**

(54) **AUTOMOBILE DASHBOARD AND CONSOLE**

(71) Applicant: **Chongqing Jinkang New Energy Automobile Co., Ltd.**, Chongqing (CN)

(72) Inventors: **Bo Lun**, Chongqing (CN); **Yutong Wu**, Chongqing (CN); **Wengang Yuan**, Chongqing (CN); **Hang Ran**, Chongqing (CN)

(73) Assignee: **Chongqing Jinkang New Energy Automobile Co., Ltd.**, Chongqing (CN)

(\*\*) Term: **15 Years**

(21) Appl. No.: **29/678,143**

(22) Filed: **Jan. 25, 2019**

(30) **Foreign Application Priority Data**

Jul. 25, 2018 (CN) ..... 2018 3 0404666

(51) **LOC (12) Cl.** ..... **12-16**

(52) **U.S. Cl.**  
USPC ..... **D12/192**

(58) **Field of Classification Search**  
USPC ..... D12/192, 415, 114, 345; D15/17, 28; D10/46, 98, 102-103, 122-12; D23/324  
CPC ..... B60H 1/34; B60H 1/3407; B60H 1/3414; B60H 1/3421; B60H 1/3428; B60H 1/3435; B60H 1/3442; B60H 1/345; B60H 1/3457; B60H 2001/3464; B60H 2001/3471; B60H 2001/3478; B60H 2001/3485  
See application file for complete search history.

(56) **References Cited**

**U.S. PATENT DOCUMENTS**

D210,770 S \* 4/1968 Geiger et al. .... D12/192  
6,464,281 B2 \* 10/2002 Volkmann ..... B60K 37/00  
224/926

D469,391 S \* 1/2003 Pfeiffer ..... D12/192  
D480,671 S \* 10/2003 Pfeiffer ..... D12/192  
D492,631 S \* 7/2004 Pfeiffer ..... D12/192  
D493,757 S \* 8/2004 Pfeiffer ..... D12/192  
D622,195 S \* 8/2010 Lester ..... D12/192  
D634,467 S \* 3/2011 Chen ..... D26/118  
D801,245 S \* 10/2017 Giolito ..... D12/192  
D809,967 S \* 2/2018 Lampkin ..... D12/16  
D825,420 S \* 8/2018 Boyes ..... D12/192  
D843,288 S \* 3/2019 Fontaeus ..... D12/192  
D862,336 S \* 10/2019 Song ..... D12/192

\* cited by examiner

*Primary Examiner* — Katrina A Betton

(74) *Attorney, Agent, or Firm* — Kilpatrick Townsend & Stockton, LLP

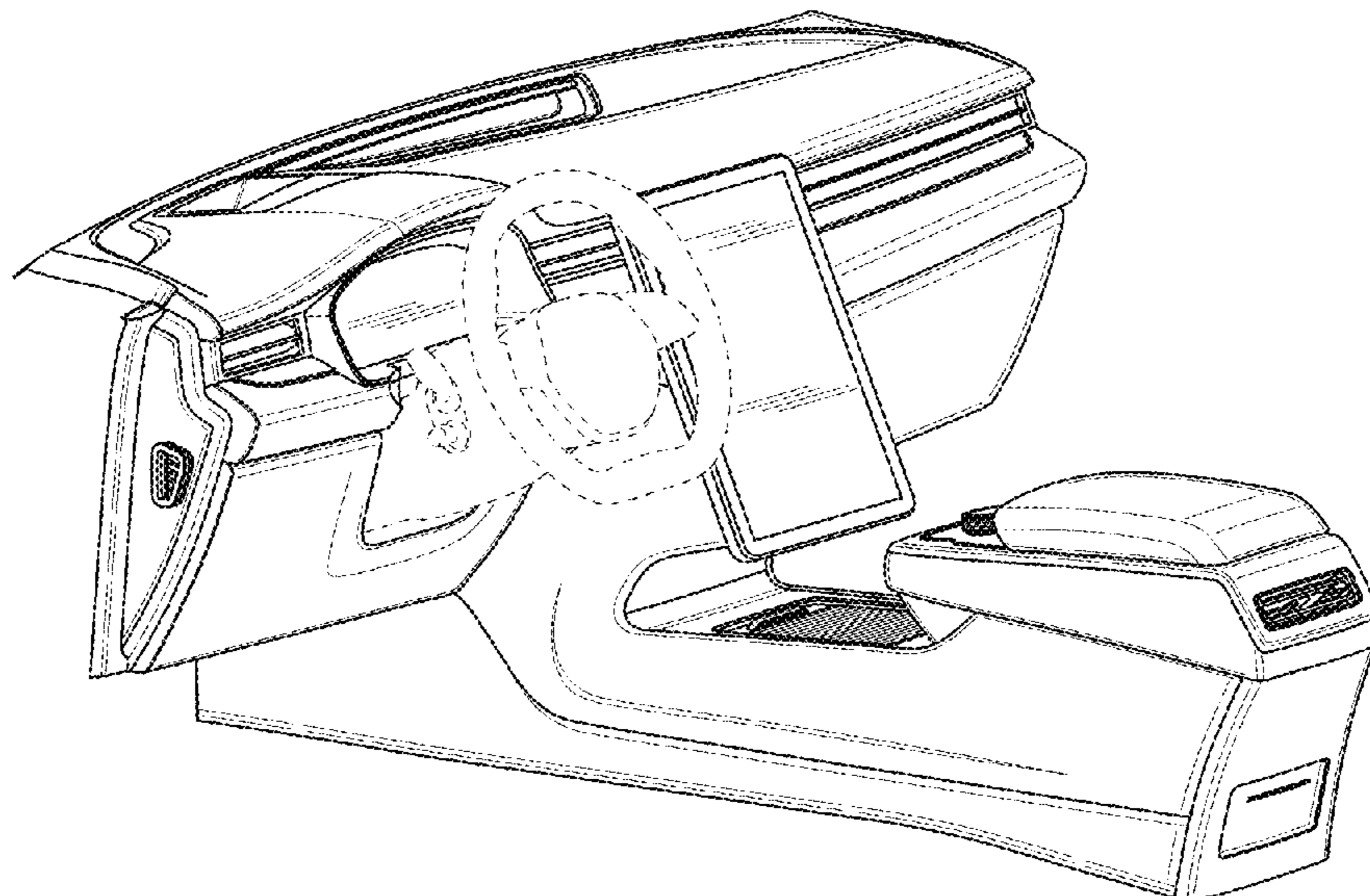
(57) **CLAIM**

The ornamental design of an automobile dashboard and console, as shown and described.

**DESCRIPTION**

FIG. 1 is a first perspective view of an automobile dashboard and console showing our new design; FIG. 2 is a second perspective view thereof; FIG. 3 is a top plan view thereof; FIG. 4 is a bottom plan view thereof; FIG. 5 is a front elevation view thereof; FIG. 6 is a rear elevation view thereof; FIG. 7 is a left side elevation view thereof; and, FIG. 8 is a right side elevation view thereof. The broken lines immediately adjacent the shaded areas represent the bounds of the claimed design while other broken lines are directed to environment and/or are for illustrative purposes only. The broken lines form no part of the claimed design.

**1 Claim, 6 Drawing Sheets**



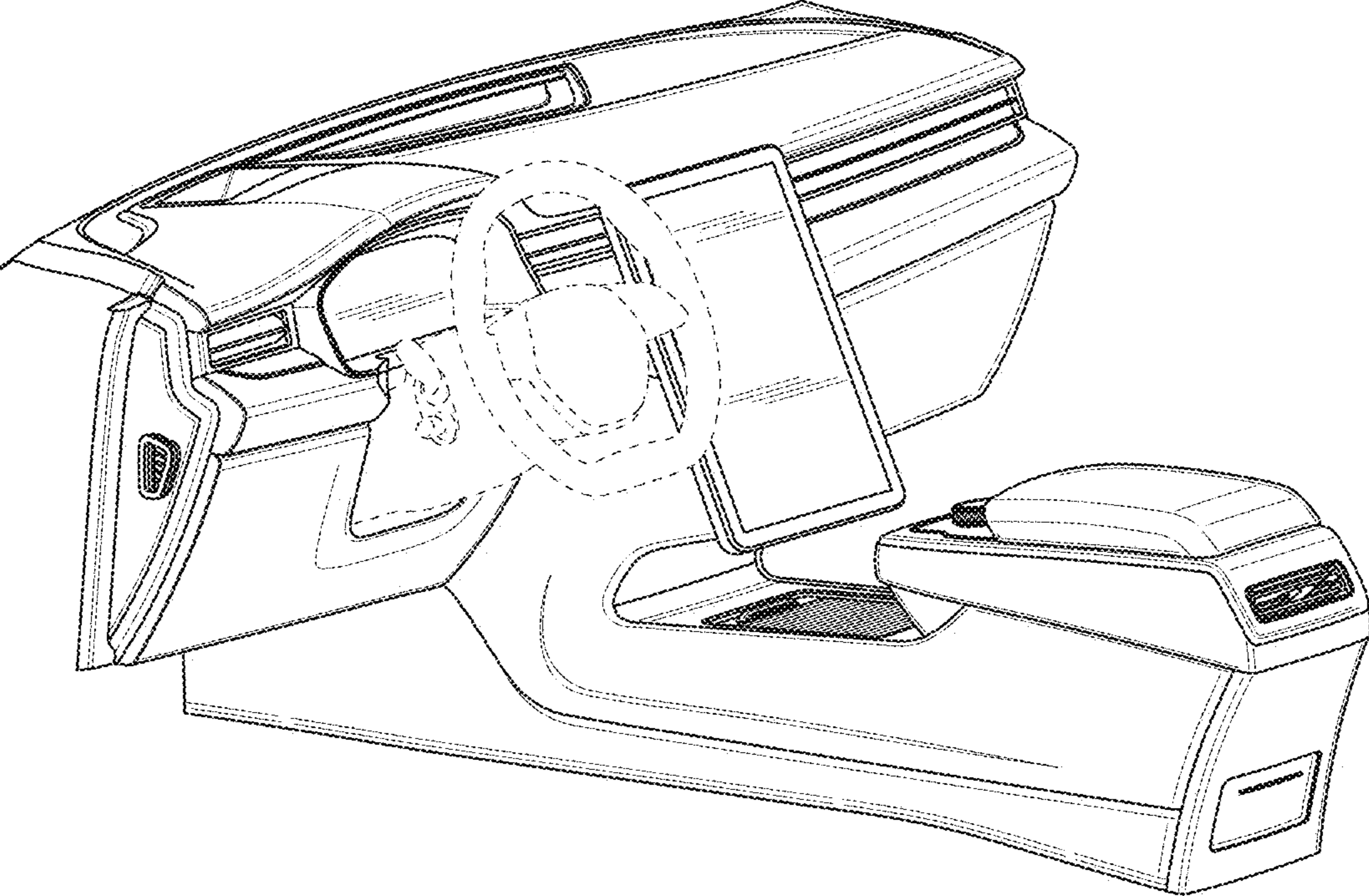


FIG. 1

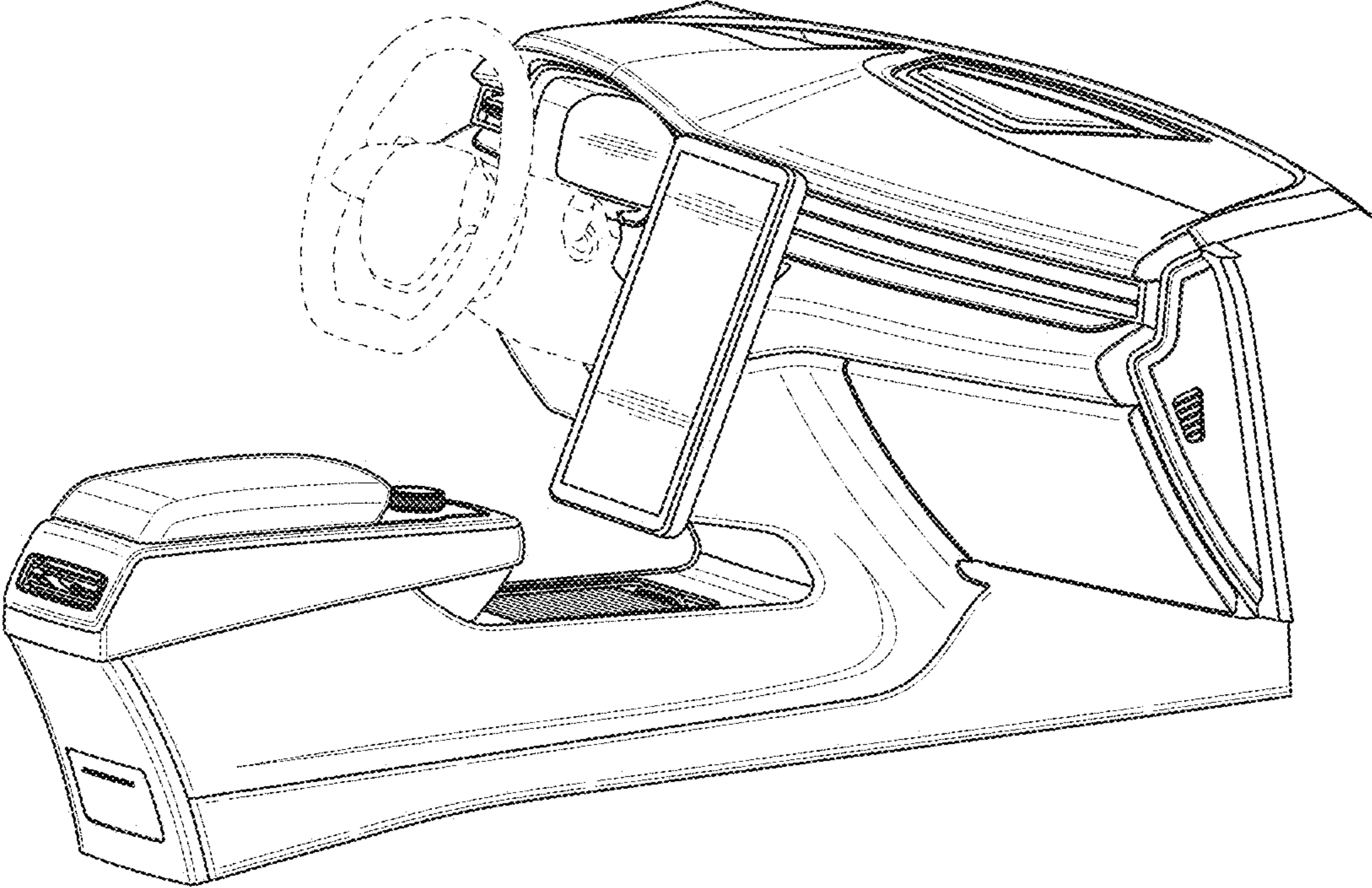


FIG. 2

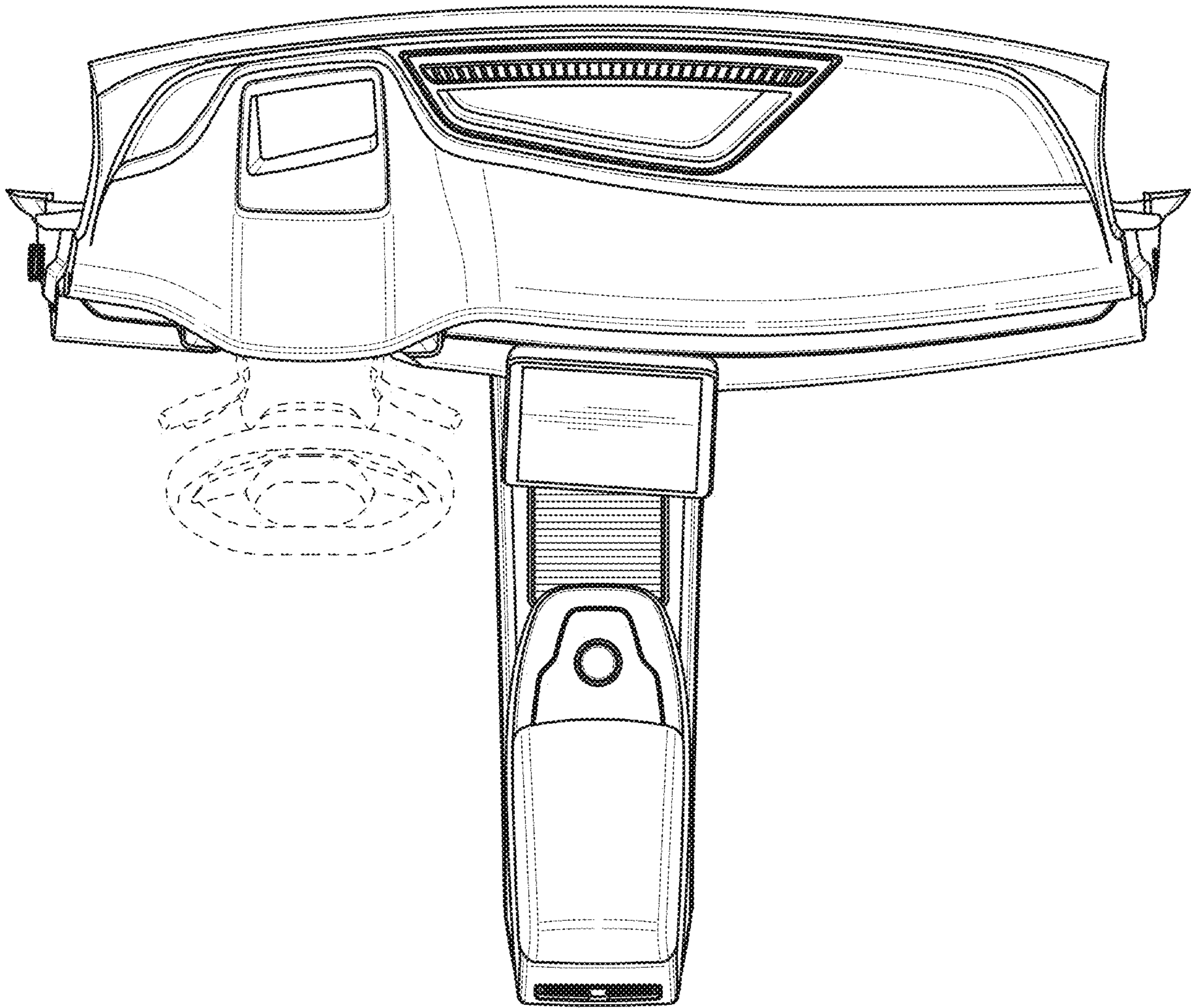


FIG. 3

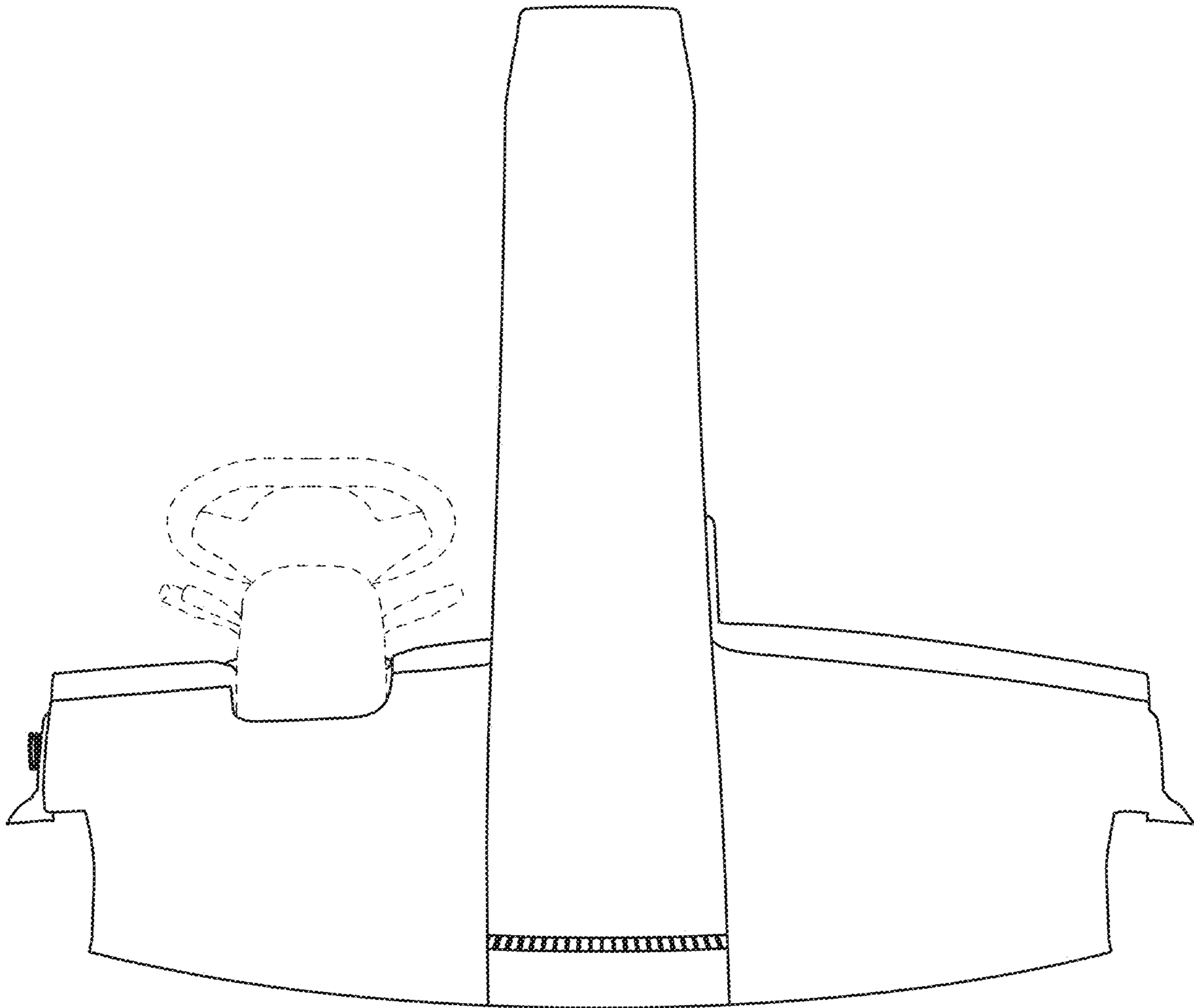


FIG. 4

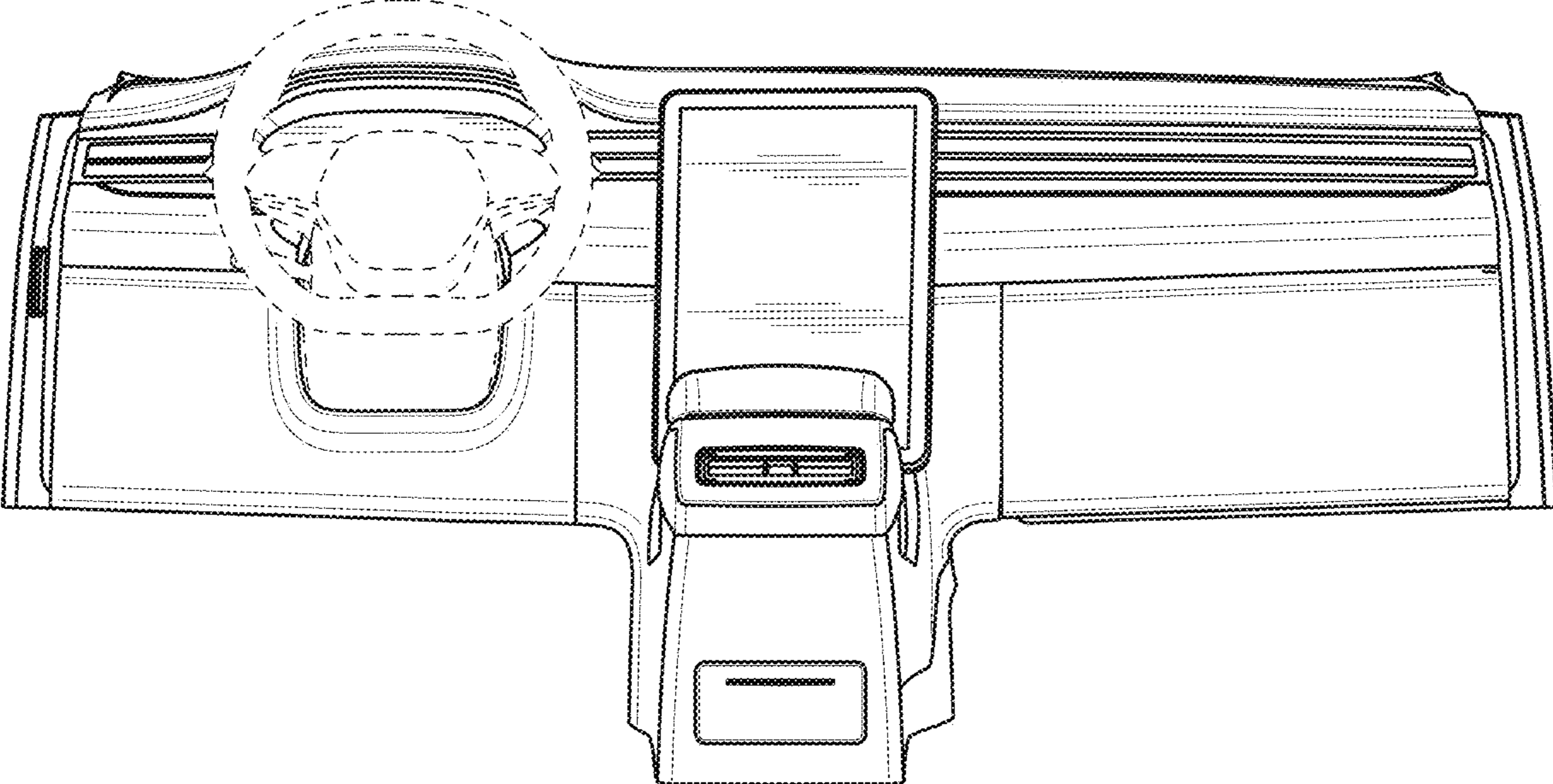


FIG. 5

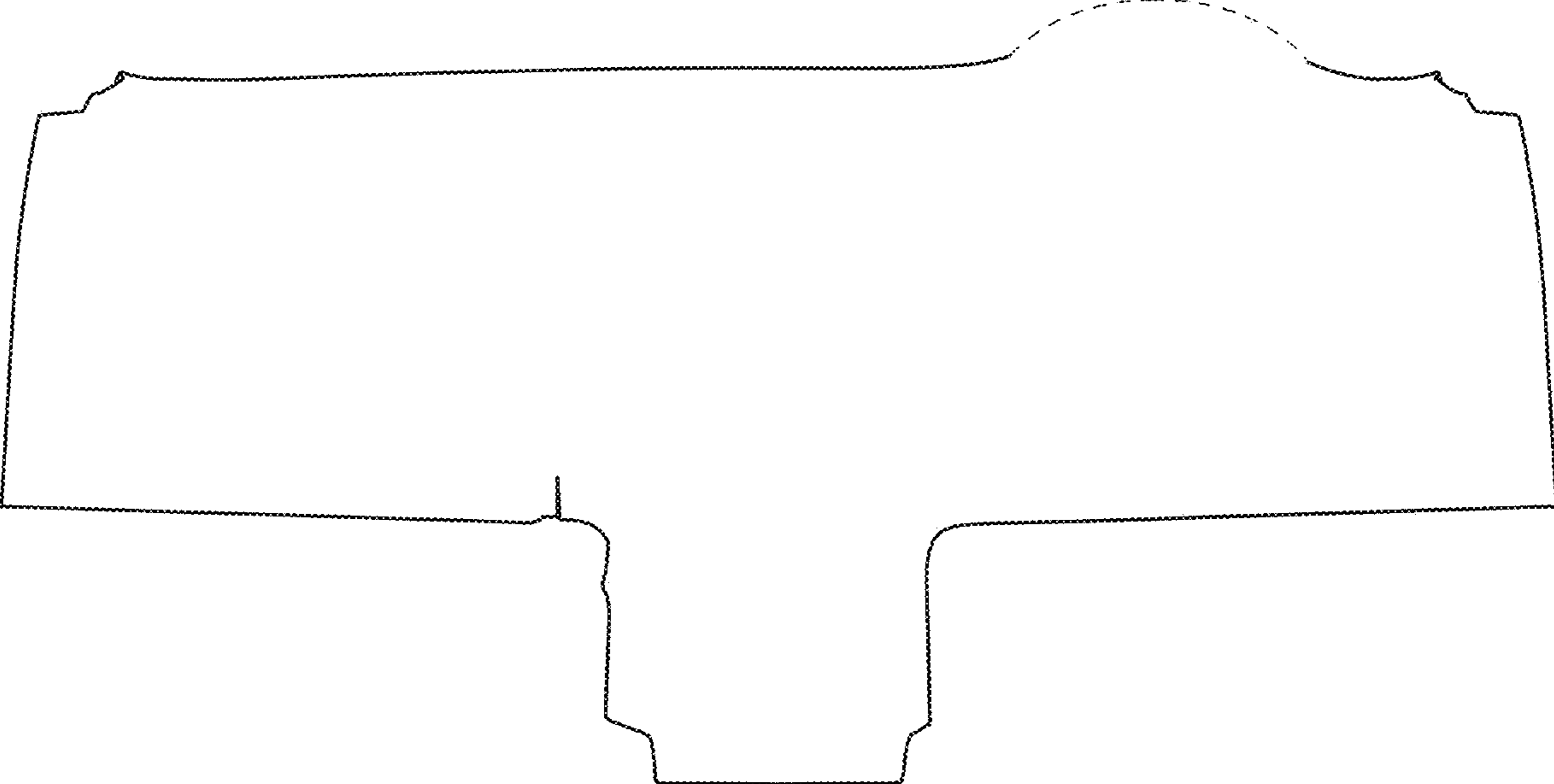


FIG. 6

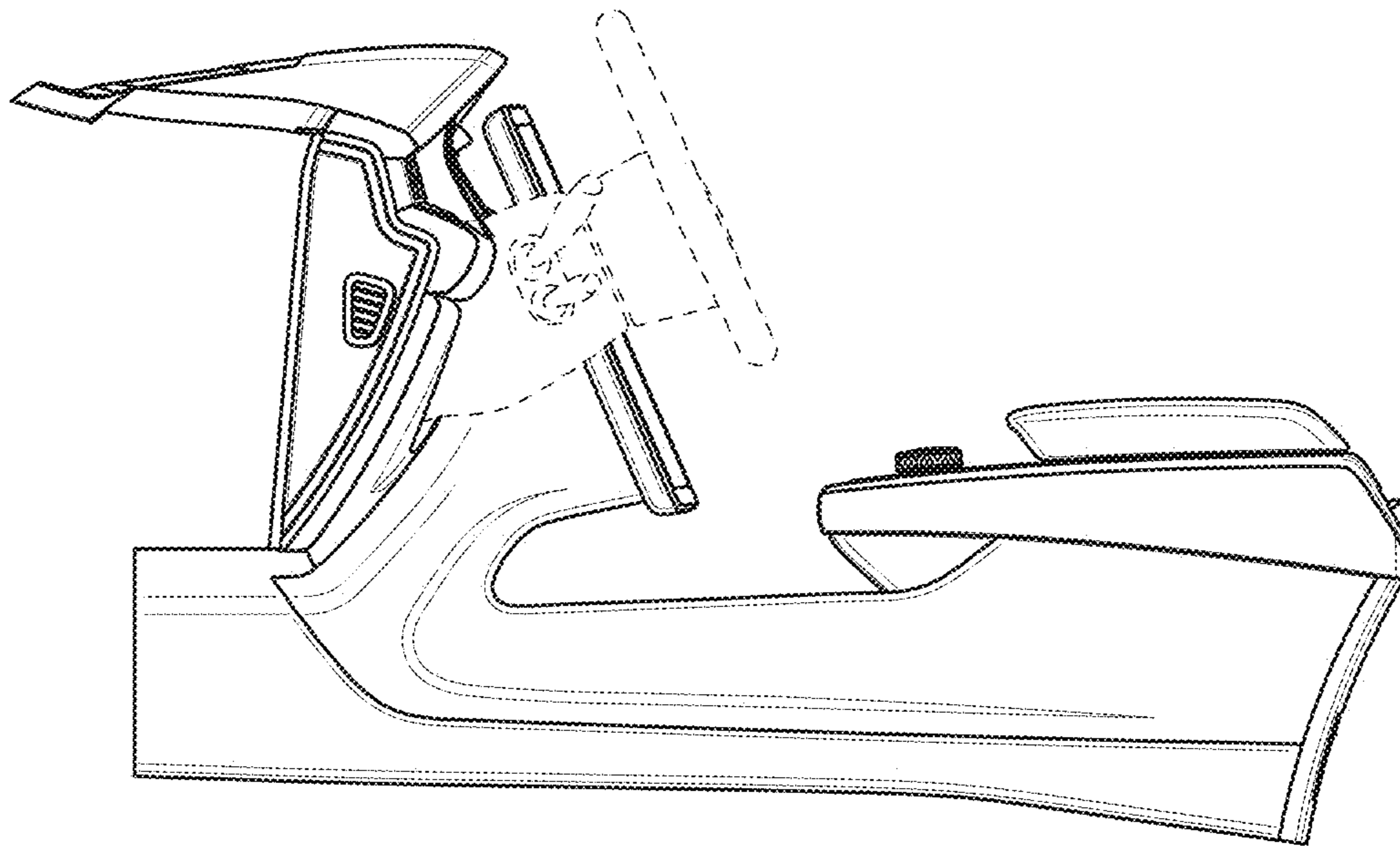


FIG. 7

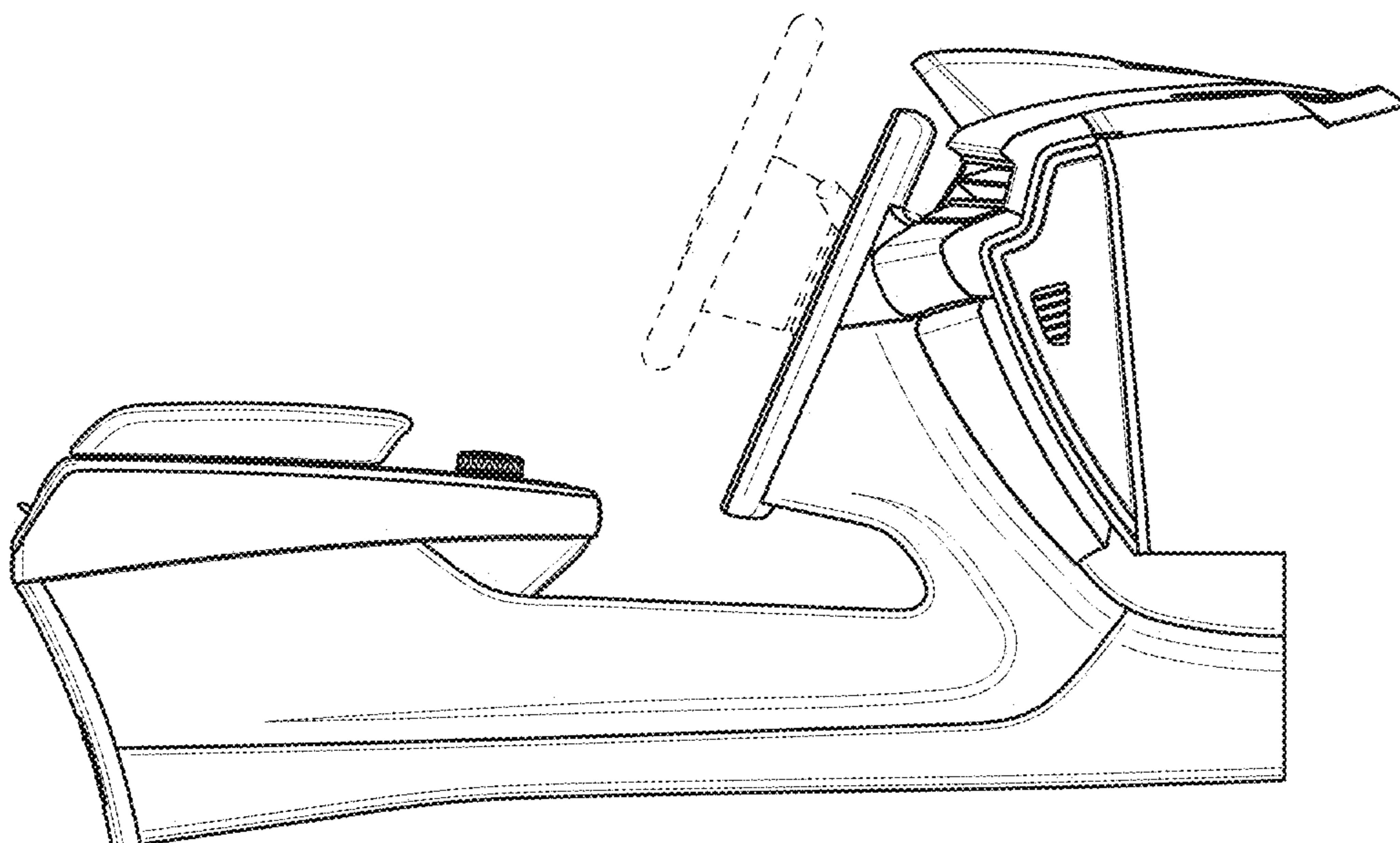


FIG. 8