



US00D889339S

(12) **United States Design Patent**  
**Chen et al.**

(10) **Patent No.:** **US D889,339 S**  
(45) **Date of Patent:** **\*\* Jul. 7, 2020**

- (54) **REARVIEW MIRROR**
- (71) Applicant: **CHRIS CAM INDUSTRY INC.,**  
Tainan (TW)
- (72) Inventors: **Cheng-Chung Chen,** Tainan (TW);  
**Hung-Lung Chen,** Tainan (TW)
- (73) Assignee: **Chris Cam Industry Inc.,** Tainan (TW)
- (\*\*) Term: **15 Years**
- (21) Appl. No.: **29/689,977**
- (22) Filed: **May 3, 2019**
- (51) **LOC (12) Cl.** ..... **12-16**
- (52) **U.S. Cl.**  
USPC ..... **D12/187**
- (58) **Field of Classification Search**  
USPC ..... D12/187, 179, 188, 189, 191, 92;  
D6/300, 309  
CPC ..... B60R 1/074; B60R 1/075; B60R 1/078;  
B60R 1/081; B60R 1/082; B60R 1/06;  
B60R 1/076; B60R 1/08; G02B 5/08;  
G02B 7/18; G02B 7/182; B60Q 1/2665  
See application file for complete search history.

D809,442 S *	2/2018	Zipfel	.....	D12/187
D837,705 S *	1/2019	Bucher	.....	D12/187
D865,598 S *	11/2019	Grand	.....	D12/187
D870,006 S *	12/2019	Chen	.....	D12/187
D870,622 S *	12/2019	Chen	.....	D12/187
D880,385 S *	4/2020	Gillam	.....	D12/187
D881,094 S *	4/2020	Dewitt	.....	D12/187
2008/0144204 A1 *	6/2008	Iacovoni	.....	B60R 1/06 359/879
2009/0086346 A1 *	4/2009	Henion	.....	B60Q 1/2665 359/841

\* cited by examiner

*Primary Examiner* — Susan E Krakower  
*Assistant Examiner* — Jerry Shiuan-Hua Hsu  
(74) *Attorney, Agent, or Firm* — Rosenberg, Klein & Lee

(57) **CLAIM**

The ornamental design for a rearview mirror, as shown and described.

**DESCRIPTION**

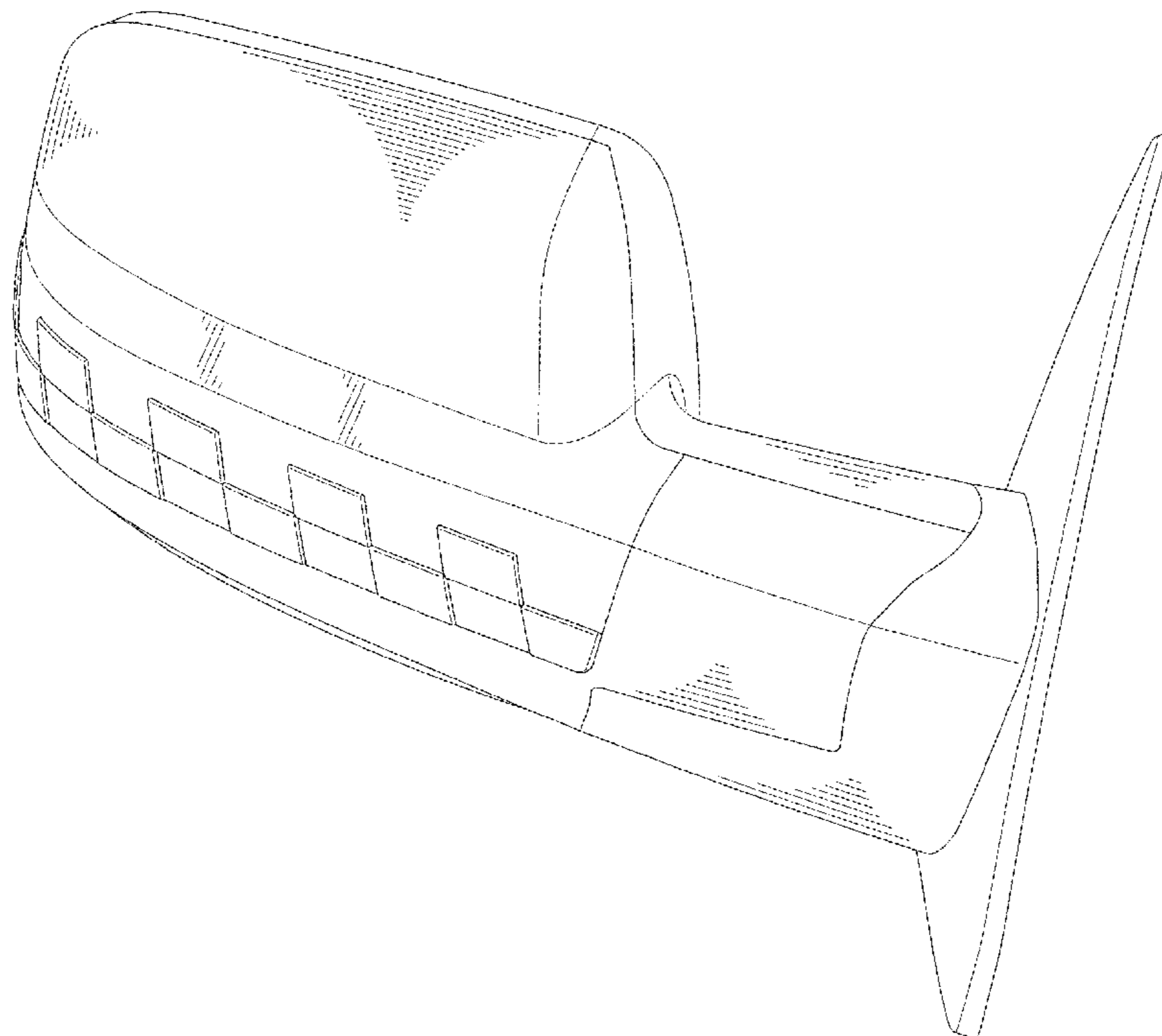
FIG. 1 is a perspective view of a rearview mirror showing our new design;  
FIG. 2 is a front elevational view thereof;  
FIG. 3 is a rear elevational view thereof;  
FIG. 4 is a left side elevational view thereof;  
FIG. 5 is a right side elevational view thereof;  
FIG. 6 is a top plan view thereof; and,  
FIG. 7 is a bottom plan view thereof.  
The broken lines shown in the figures illustrate portions of the rearview mirror that form no part of the claimed design.

**1 Claim, 7 Drawing Sheets**

(56) **References Cited**

U.S. PATENT DOCUMENTS

D603,774 S *	11/2009	Chen	.....	D12/187
D631,805 S *	2/2011	Chen	.....	D12/187
D718,197 S *	11/2014	Chen	.....	D12/187
D731,379 S *	6/2015	Behmer	.....	D12/187
D785,524 S *	5/2017	Kim	.....	D12/187
D802,502 S *	11/2017	McMahan	.....	D12/187
D807,263 S *	1/2018	Piscitelli	.....	D12/187



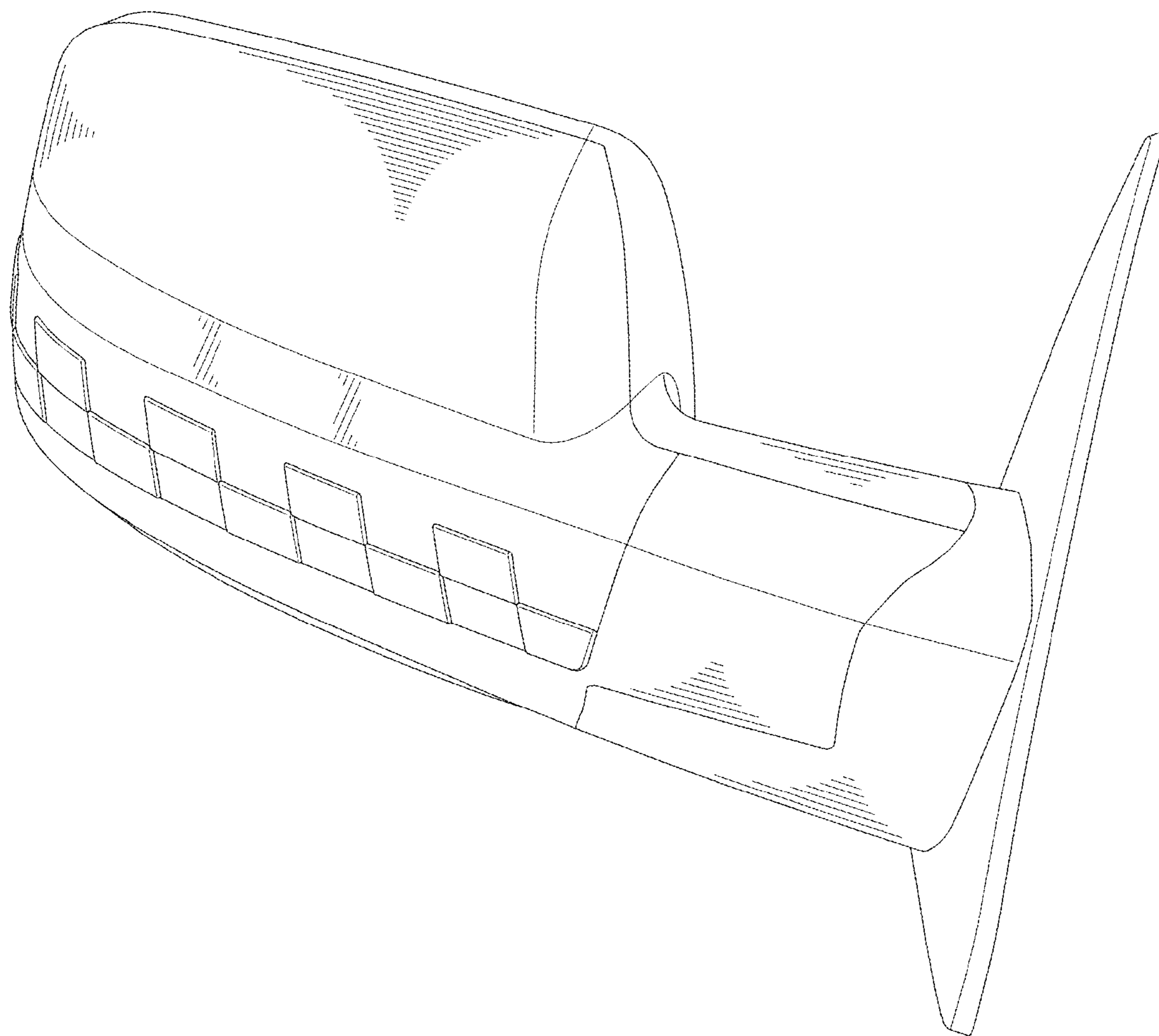


FIG. 1

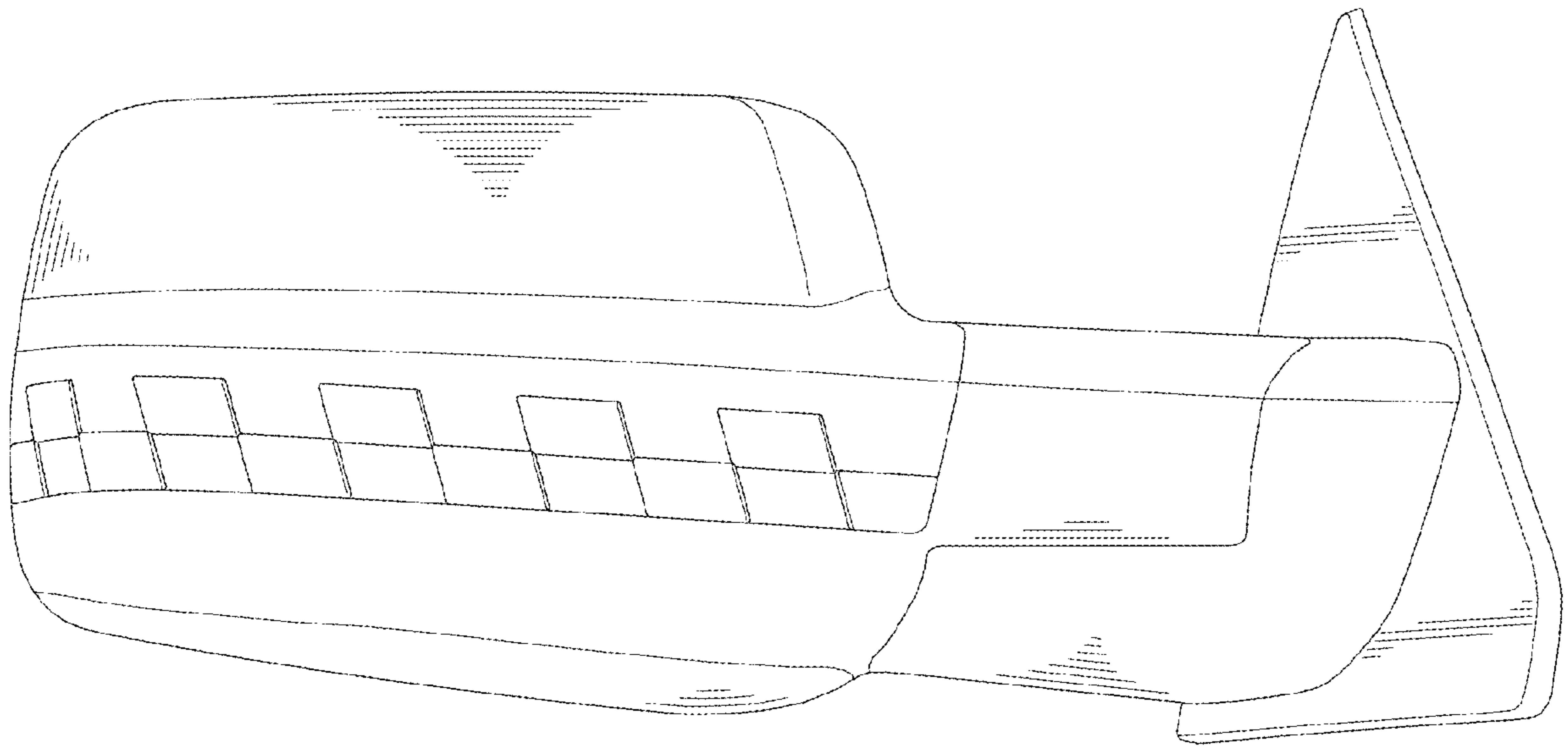


FIG. 2

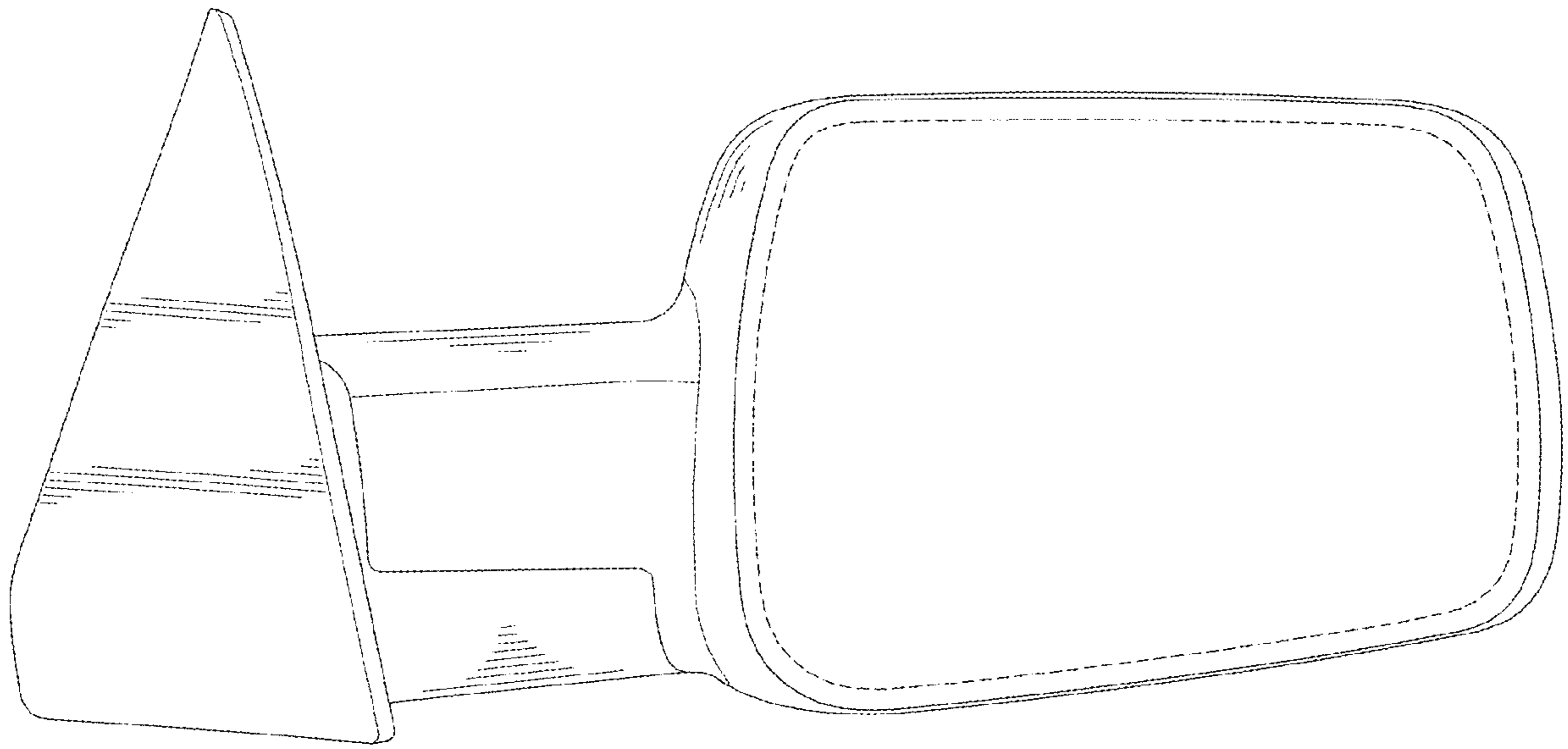


FIG. 3

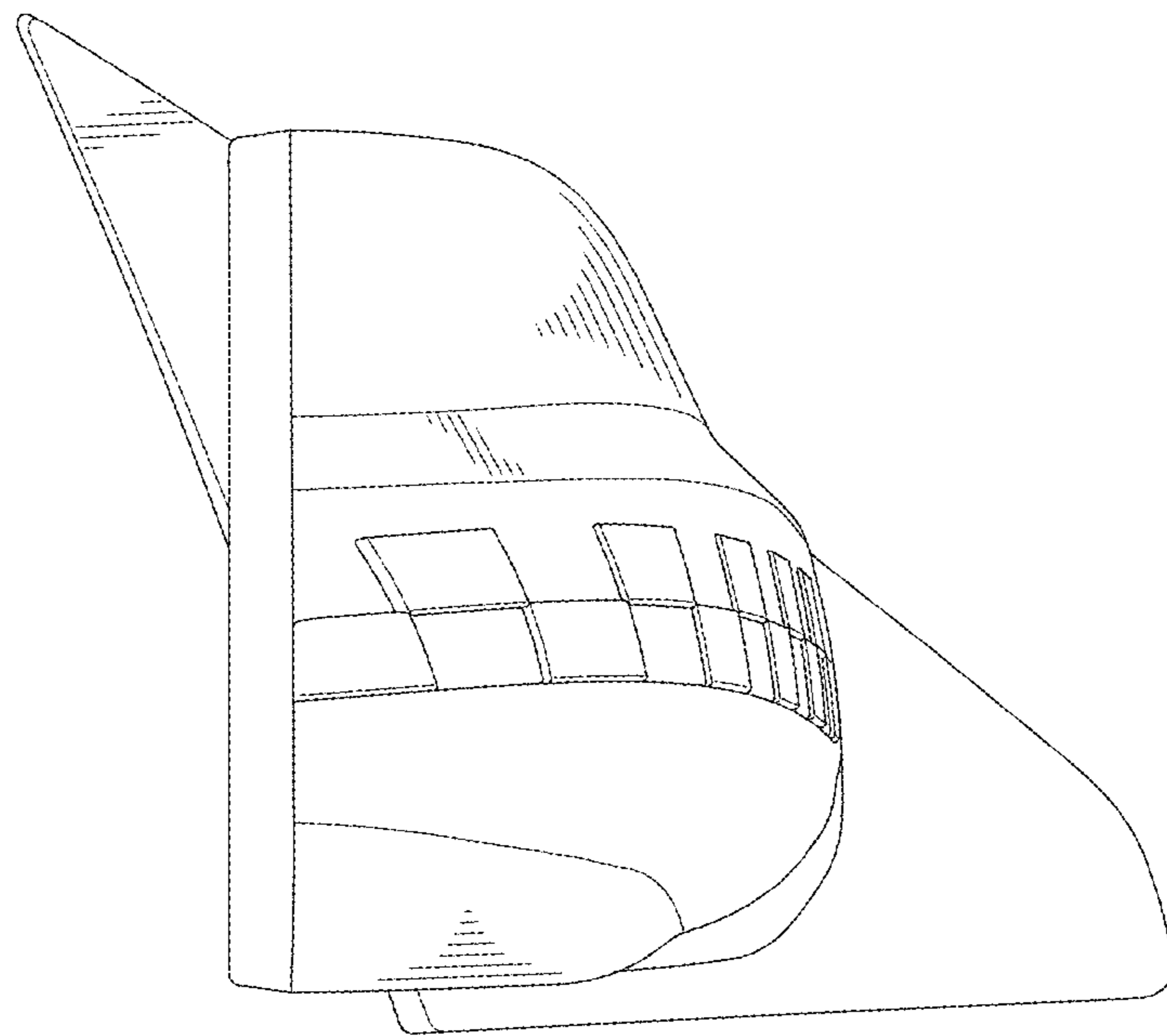


FIG. 4

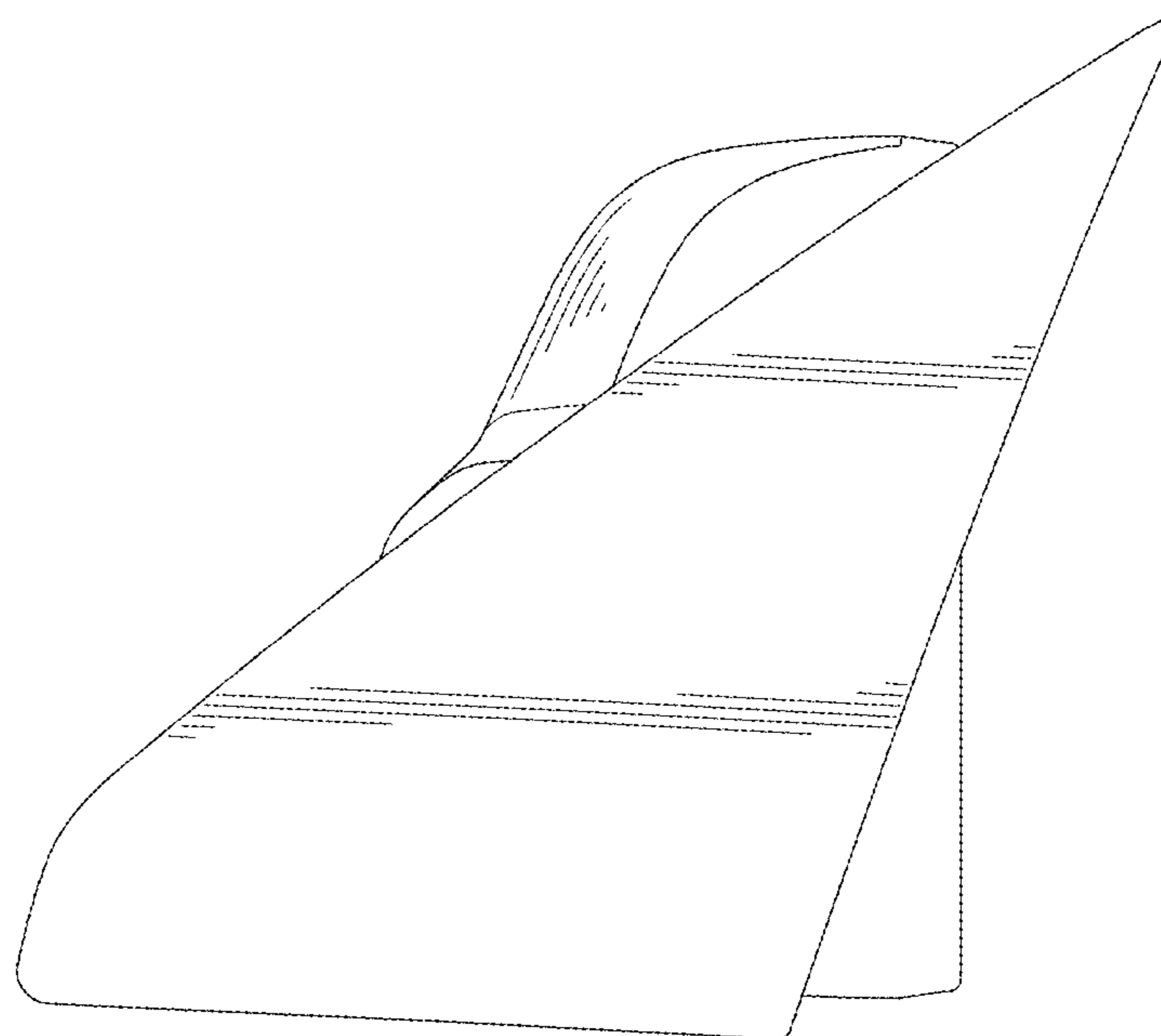


FIG. 5

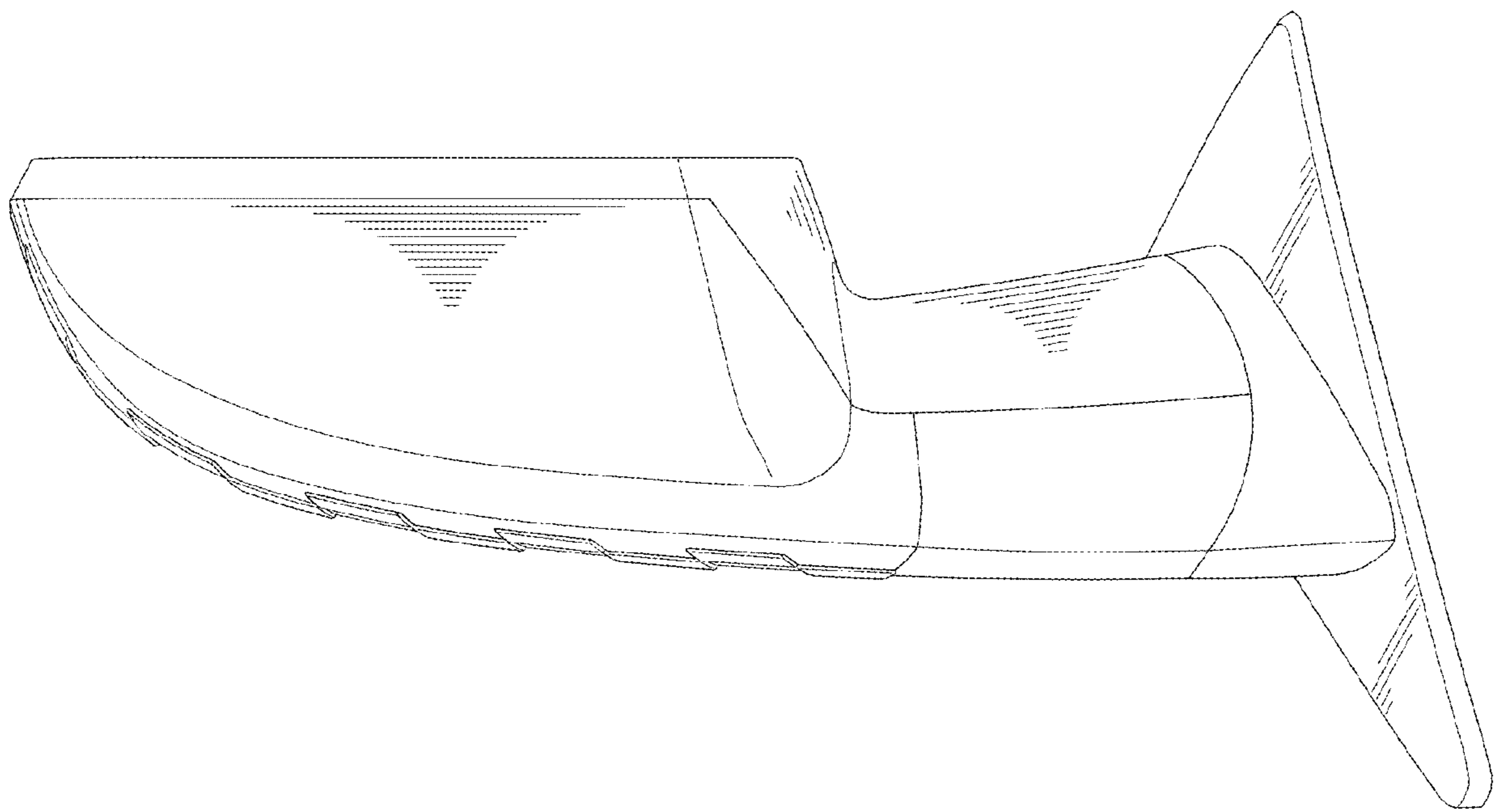


FIG. 6

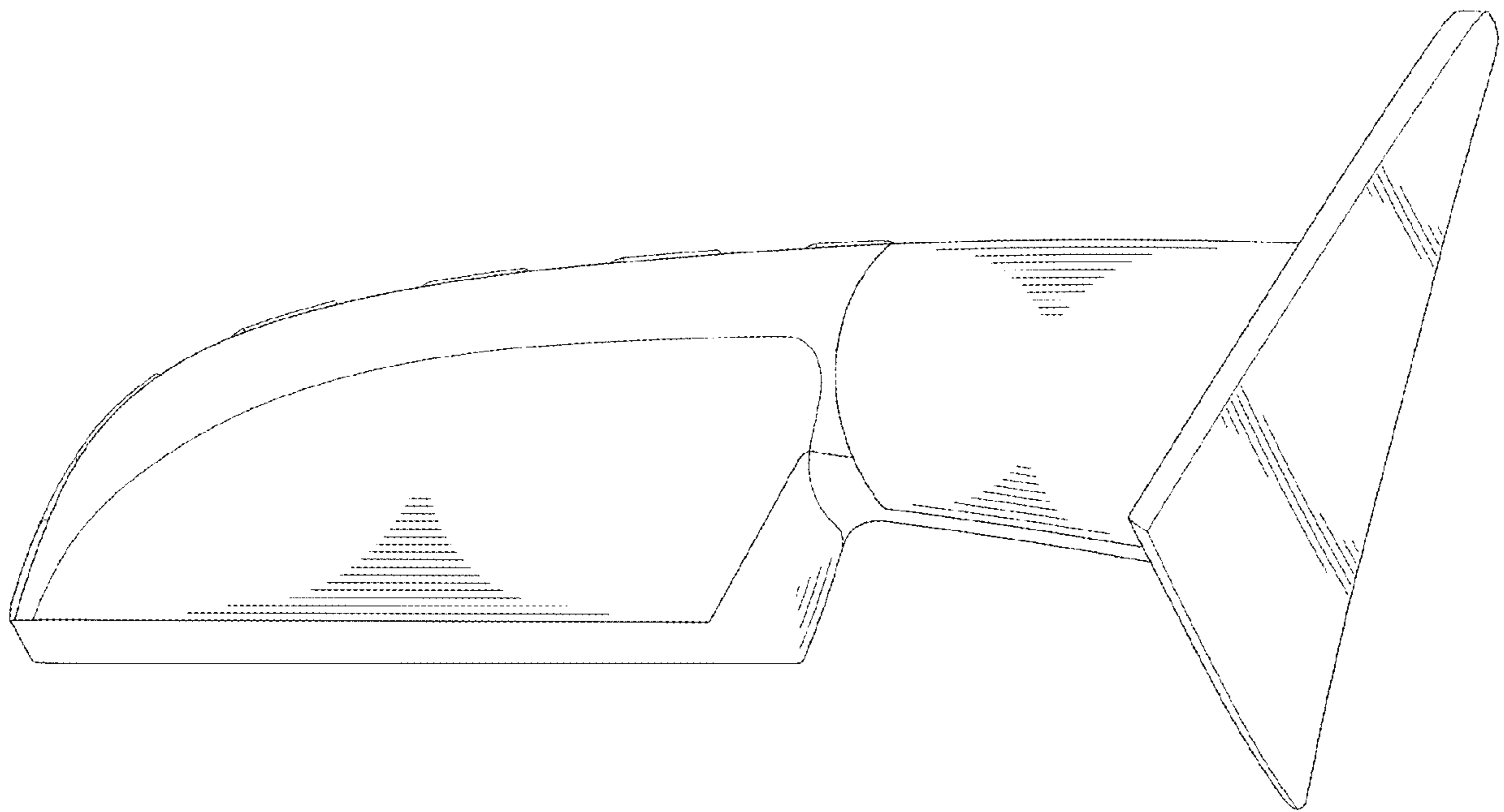


FIG. 7