



US00D889338S

(12) **United States Design Patent**
McMath

(10) **Patent No.:** **US D889,338 S**

(45) **Date of Patent:** **** Jul. 7, 2020**

(54) **PAIR OF REAR FENDERS**

(71) Applicant: **Robert Roy McMath**, Riverside, CA
(US)

(72) Inventor: **Robert Roy McMath**, Riverside, CA
(US)

(**) Term: **15 Years**

(21) Appl. No.: **29/677,971**

(22) Filed: **Jan. 24, 2019**

(51) **LOC (12) Cl.** **12-16**

(52) **U.S. Cl.**
USPC **D12/184**

(58) **Field of Classification Search**
USPC D12/90, 91, 92, 169, 181, 184, 190, 195,
D12/196, 203
CPC B60J 5/00; B60J 5/02; B60J 5/04; B60J
5/10; B62D 25/02; B62D 25/04
See application file for complete search history.

(56) **References Cited**

U.S. PATENT DOCUMENTS

6,155,624	A	*	12/2000	Bienenstein, Jr. ...	B62D 25/161	280/847
D623,103	S	*	9/2010	Braga	D12/181	
D652,358	S	*	1/2012	Hodges	D12/181	
D781,193	S	*	3/2017	McMath	D12/196	
D785,522	S	*	5/2017	McMath	D12/181	
D785,523	S	*	5/2017	McMath	D12/184	
D790,418	S	*	6/2017	McMath	B62D 25/161	D12/181

D855,519	S	*	8/2019	Bundy	D12/184
D861,561	S	*	10/2019	Mallicote	D12/184
D870,620	S	*	12/2019	Hallgren	D12/184
D870,621	S	*	12/2019	McMath	D12/184
D875,006	S	*	2/2020	DiCanzio	D12/184

* cited by examiner

Primary Examiner — George D. Kirschbaum

Assistant Examiner — Joseph J Kukella

(74) *Attorney, Agent, or Firm* — Curtis L. Harrington;
Harrington & Harrington

(57) **CLAIM**

The ornamental design for a pair of rear fenders, as shown and described.

DESCRIPTION

FIG. 1 is a front side perspective view of a pair of rear fenders, in use condition showing my new design; FIG. 2 is a front side elevation view thereof; FIG. 3 is a rear side elevation view thereof; FIG. 4 is a right side elevation view thereof; FIG. 5 is a left side elevation view thereof; FIG. 6 is a top plan view thereof; and, FIG. 7 is a bottom plan view thereof.

The dash-dash even broken lines illustrate and surround portions of the pair of rear fenders that form no part of the claimed design. The dash-dot-dot broken lines shown in the drawings illustrate vehicle environmental subject matter which forms no part of the claimed design.

1 Claim, 3 Drawing Sheets

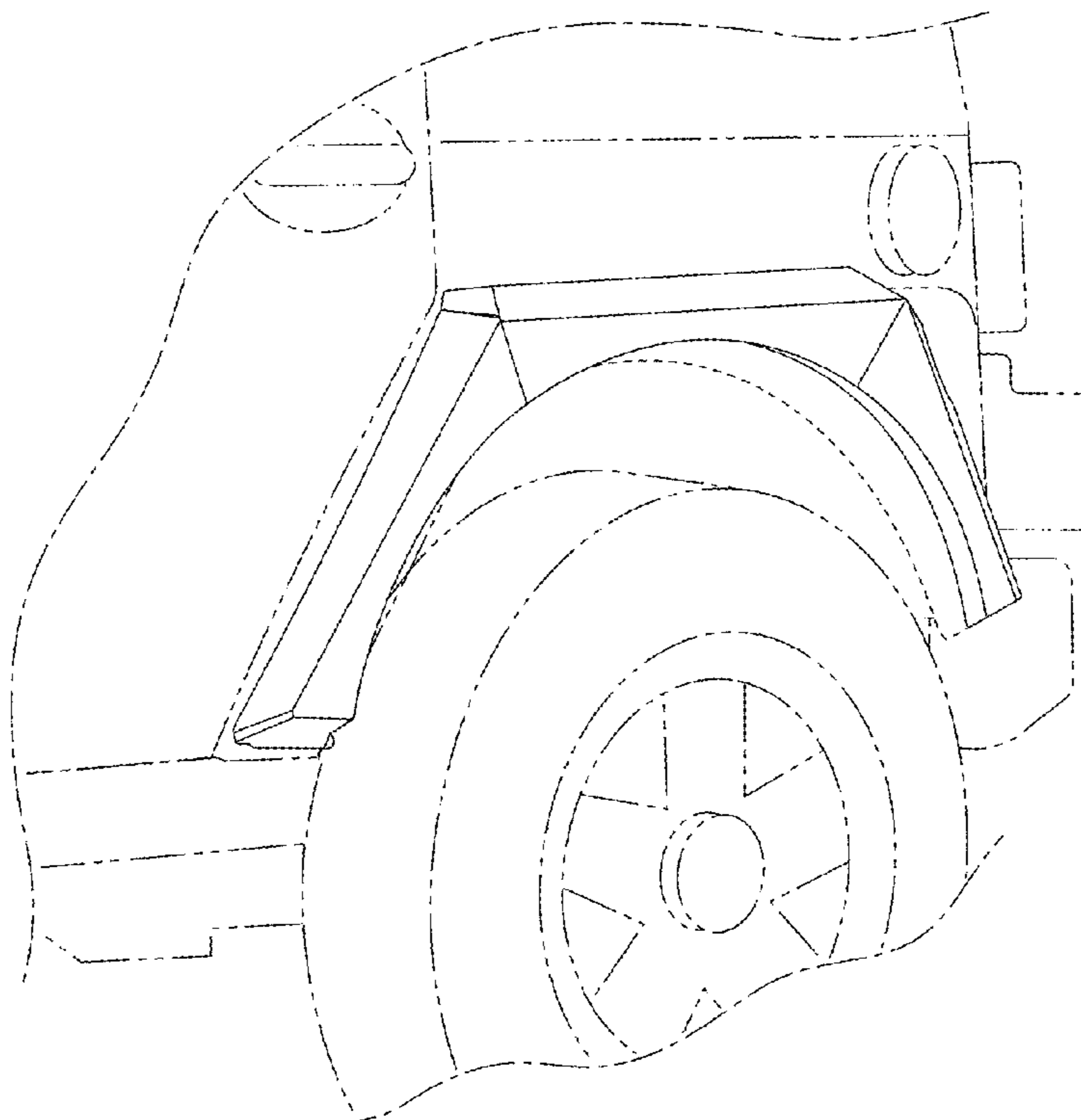


Fig. 1

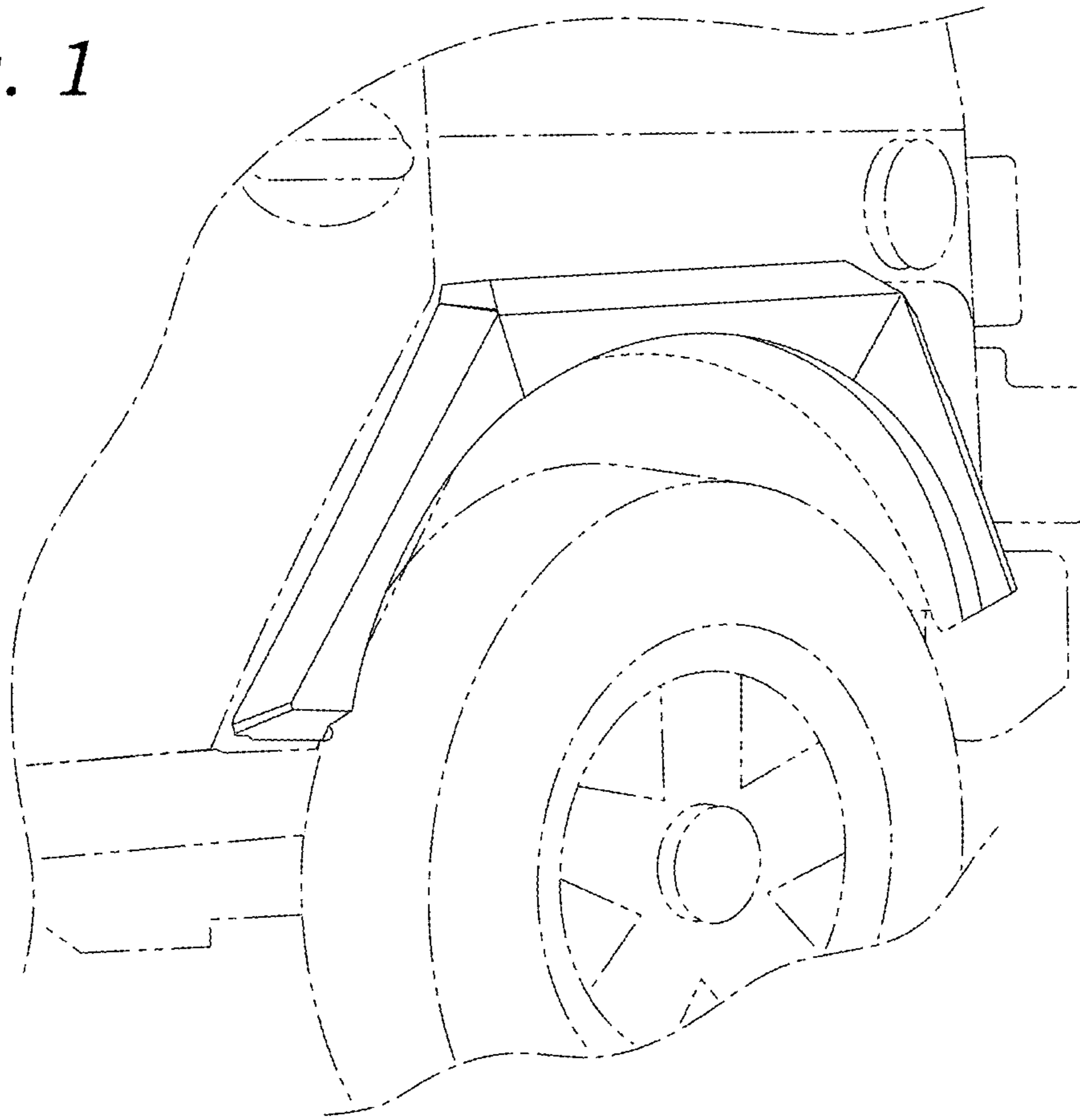


Fig. 2

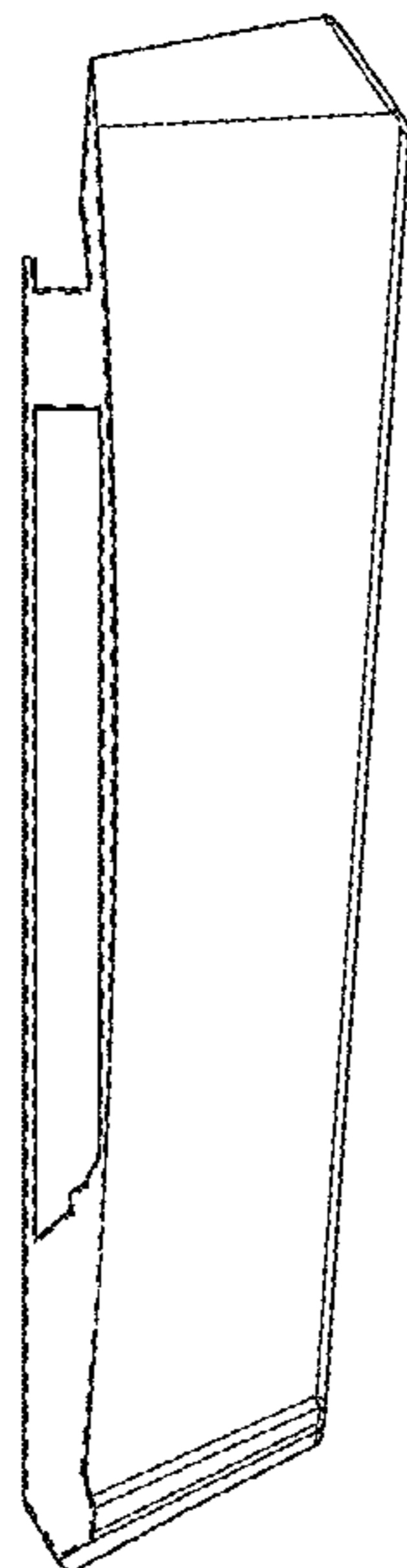


Fig. 3

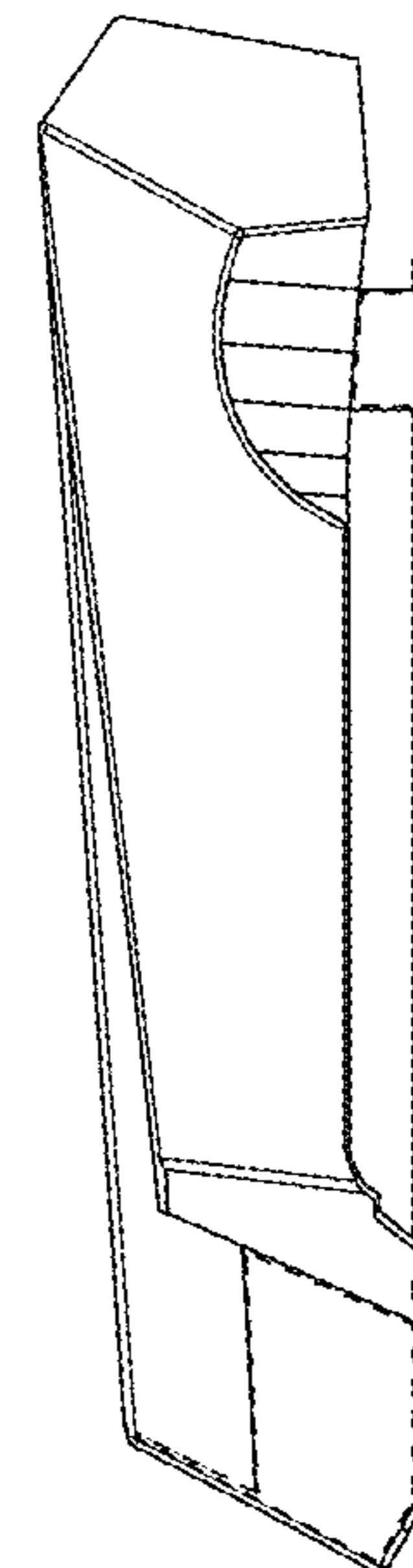


Fig. 4

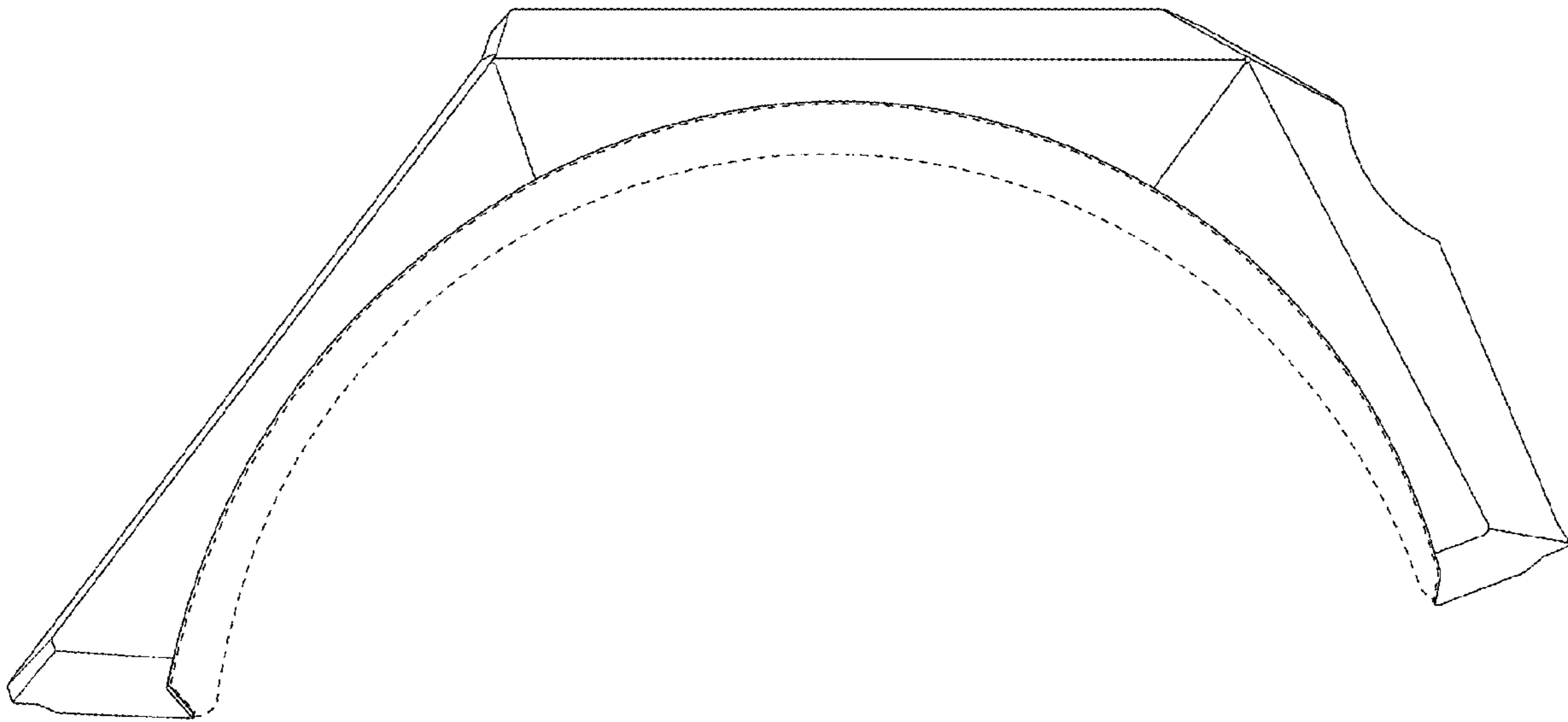


Fig. 5

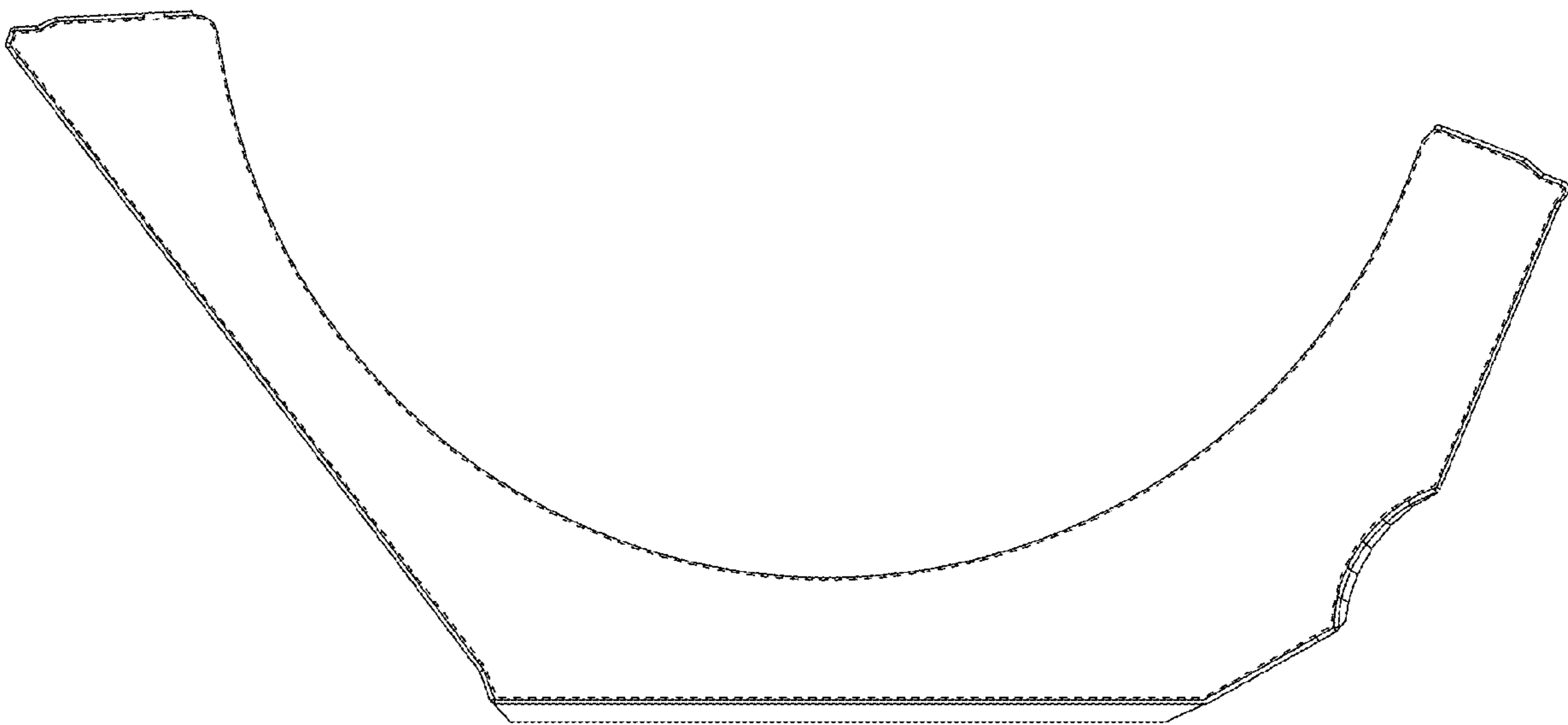


Fig. 6

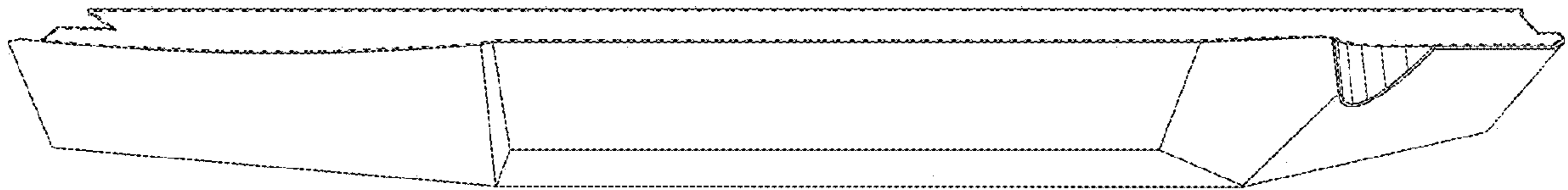


Fig. 7

