



US00D889332S

(12) **United States Design Patent** (10) **Patent No.:** **US D889,332 S**
Chi (45) **Date of Patent:** **** Jul. 7, 2020**

(54) **BUMPER FOR VEHICLE**
(71) Applicant: **Razer Auto, Inc.**, Upland, CA (US)
(72) Inventor: **Samuel Chi**, Upland, CA (US)
(73) Assignee: **Razer Auto, Inc.**, Upland, CA (US)
(**) Term: **15 Years**
(21) Appl. No.: **29/677,635**

D775,013 S * 12/2016 Bennett D12/169
D775,016 S * 12/2016 Reynolds D12/171
D776,582 S * 1/2017 Bennett D12/169
D777,618 S 1/2017 Setina
D777,619 S * 1/2017 Barajas D12/167
D781,193 S 3/2017 McMath
D785,504 S 5/2017 Higgs
D792,817 S 7/2017 McMath
D792,818 S * 7/2017 McMath D12/169
D793,304 S * 8/2017 McMath D12/169
D794,519 S 8/2017 McMath

(Continued)

(22) Filed: **Jan. 22, 2019**
(51) **LOC (12) Cl.** **12-16**
(52) **U.S. Cl.**
USPC **D12/171; D12/169**
(58) **Field of Classification Search**
USPC D12/86, 90, 91, 92, 163, 164, 169, 171,
D12/196, 216
CPC B60R 19/02; B60R 19/18; B60R 19/24;
B60R 19/56; B60R 2019/007; B62D
25/0845
See application file for complete search history.

OTHER PUBLICATIONS

See concurrently provided NPL document with a single page excerpt from an online catalog showing vehicle bumpers, wherein this online catalog was publicly available at least as early as Oct. 2015.

(Continued)

Primary Examiner — Darlington Ly
(74) *Attorney, Agent, or Firm* — Eric Kelly

(56) **References Cited**

U.S. PATENT DOCUMENTS

D300,128 S * 3/1989 Brennan D12/169
D375,067 S * 10/1996 Bronstein D12/169
D432,469 S * 10/2000 Nelson D12/169
D502,433 S * 3/2005 McClanahan D12/169
7,703,834 B1 * 4/2010 Hardy B60R 9/06
296/102
D722,927 S 2/2015 Schroeder
D726,605 S 4/2015 Schroeder
D741,233 S 10/2015 Glover
D744,384 S * 12/2015 Harriton D12/169
D744,386 S 12/2015 Harriton
D744,387 S * 12/2015 Harriton D12/169
D749,995 S 2/2016 Azadi
D751,012 S * 3/2016 Hare D12/169
D760,133 S * 6/2016 Bennett D12/171
D771,537 S * 11/2016 Hare D12/169

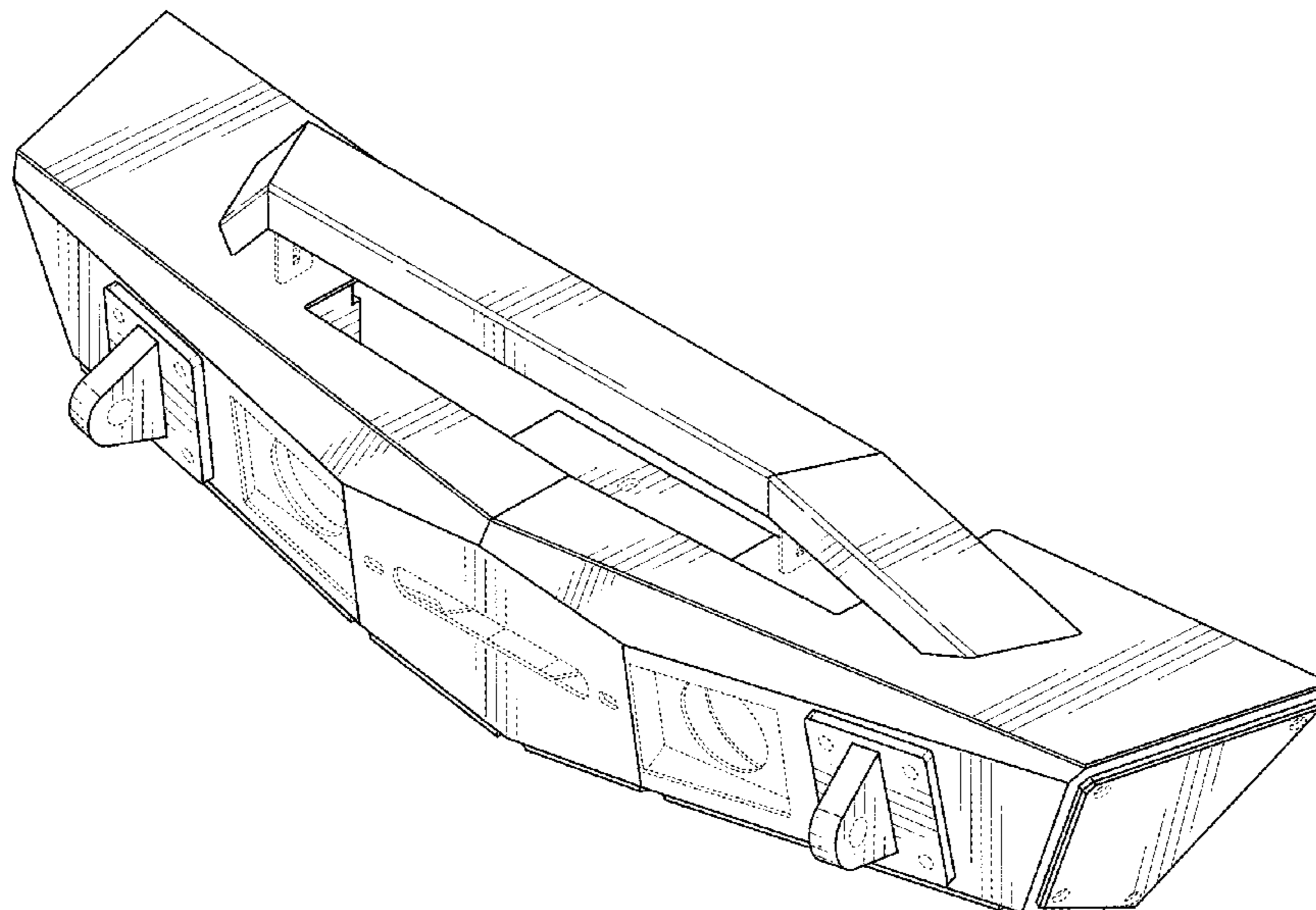
(57) **CLAIM**

What is claimed is the ornamental design for a bumper for vehicle, as shown and described.

DESCRIPTION

FIG. 1 is a top, front, and left side perspective view of a front bumper for vehicle showing my new design;
FIG. 2 is a front elevation view thereof;
FIG. 3 is a rear elevation view thereof;
FIG. 4 is a right side elevation view thereof;
FIG. 5 is a left side elevation view thereof;
FIG. 6 is a top plan view thereof; and,
FIG. 7 is a bottom plan view thereof.
The broken lines in the figures depict portions of the bumper for vehicle that form no part of the claimed design.

1 Claim, 6 Drawing Sheets



(56)

References Cited

U.S. PATENT DOCUMENTS

D796,399 S 9/2017 Steen
D800,036 S * 10/2017 Bennett D12/169
D800,226 S 10/2017 Zeng
D801,892 S 11/2017 Drever
D826,115 S * 8/2018 Chi D12/172
D833,922 S * 11/2018 DiCanzio D12/163
D847,051 S * 4/2019 DiCanzio D12/171
2017/0088076 A1 * 3/2017 Fujimoto B60R 19/04
2017/0247014 A1 8/2017 Farooq
2017/0349227 A1 12/2017 Spindler

OTHER PUBLICATIONS

See concurrently provided NPL document showing photographs of a vehicle bumper (Razer part No. RZKYFB-3309) that was publicly available at least as early as Aug. 9, 2017.

See concurrently provided NPL document showing photographs of a vehicle bumper (Razer part No. RZKYFB-3520) that was publicly available at least as early as Jun. 16, 2016.

See concurrently provided NPL document showing photographs of a vehicle bumper (Razer part No. RZKYFB-3528) that was publicly available at least as early as Oct. 24, 2016.

* cited by examiner

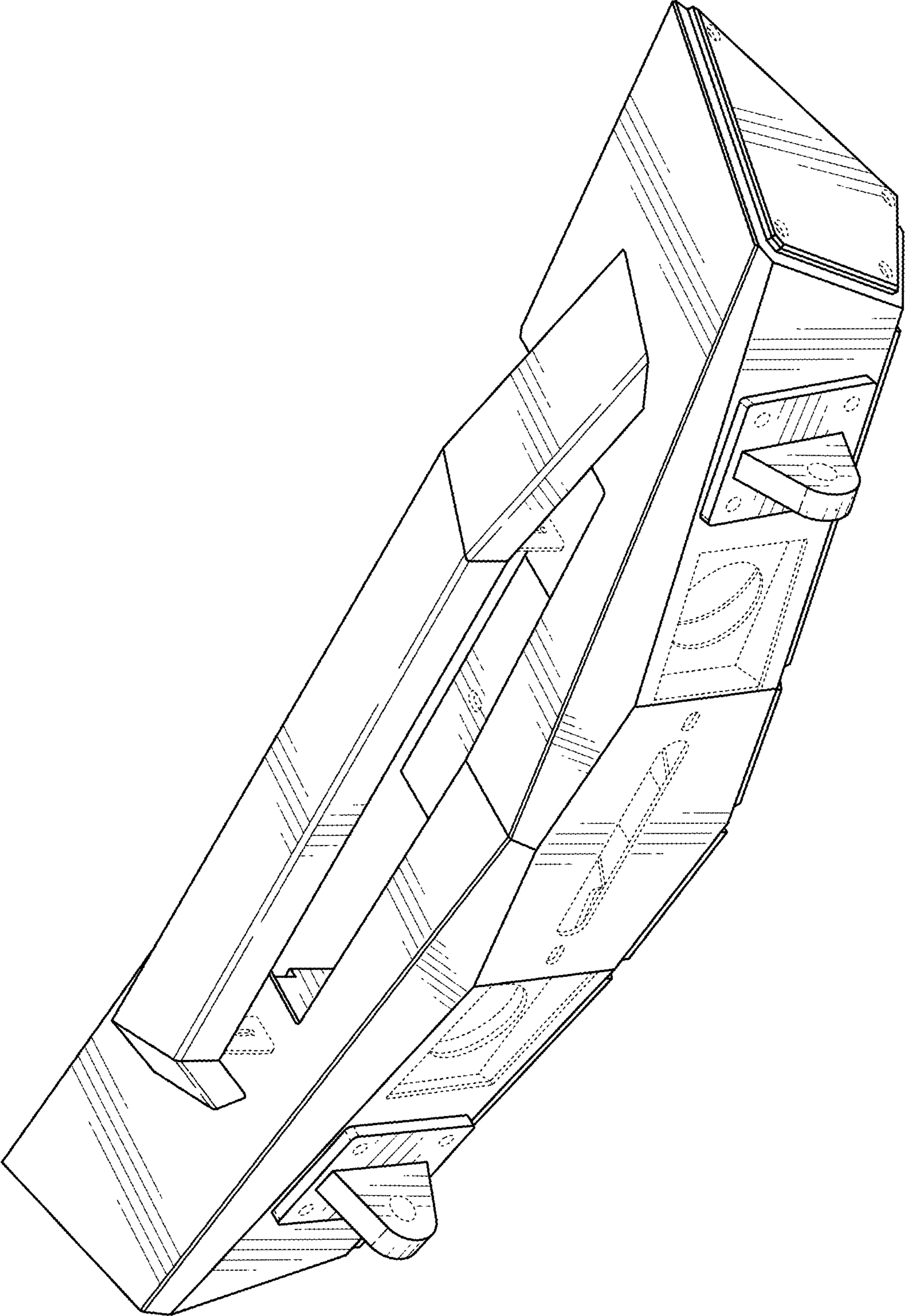


FIG. 1

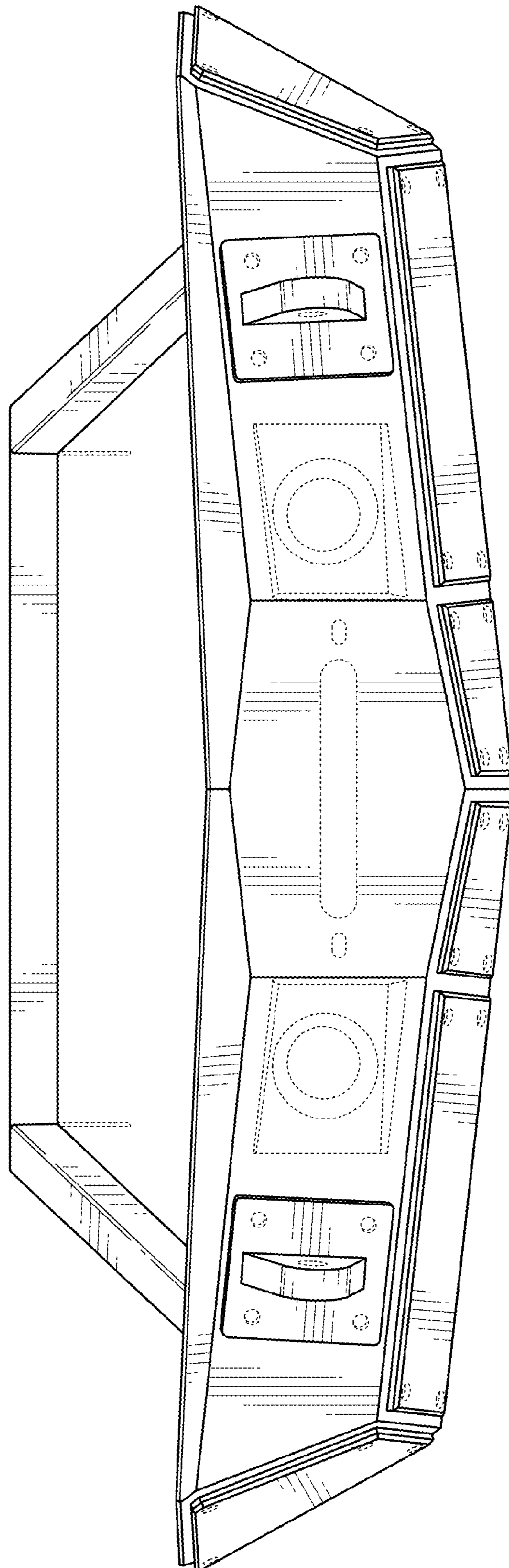


FIG. 2

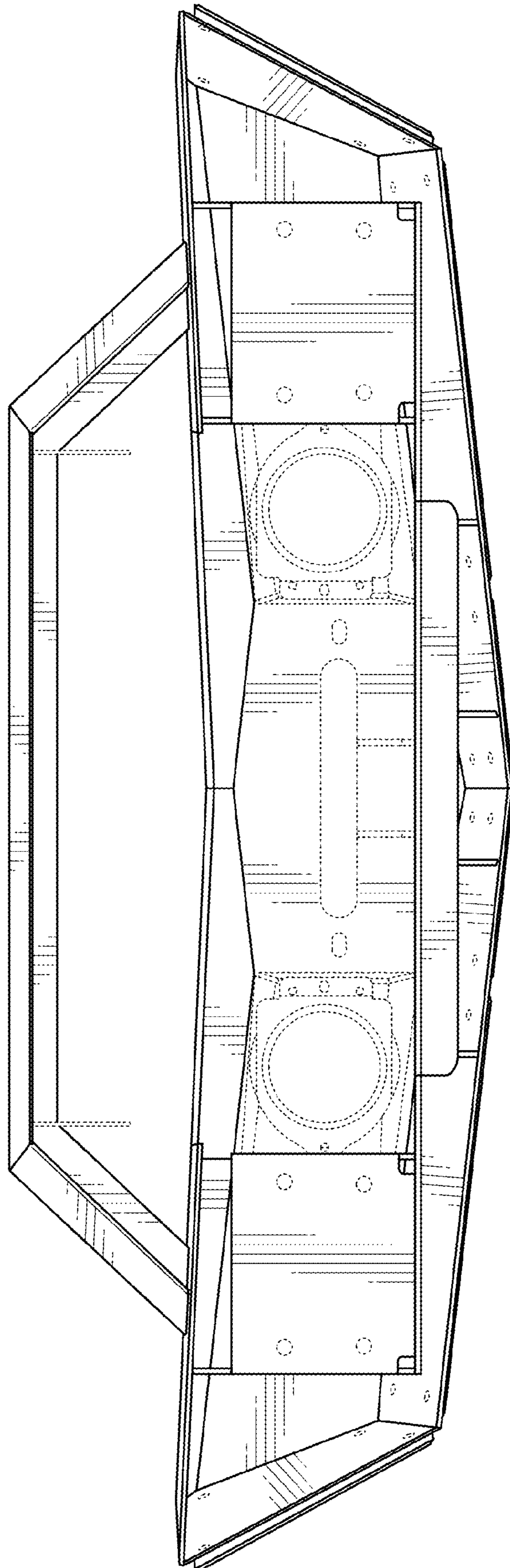


FIG. 3

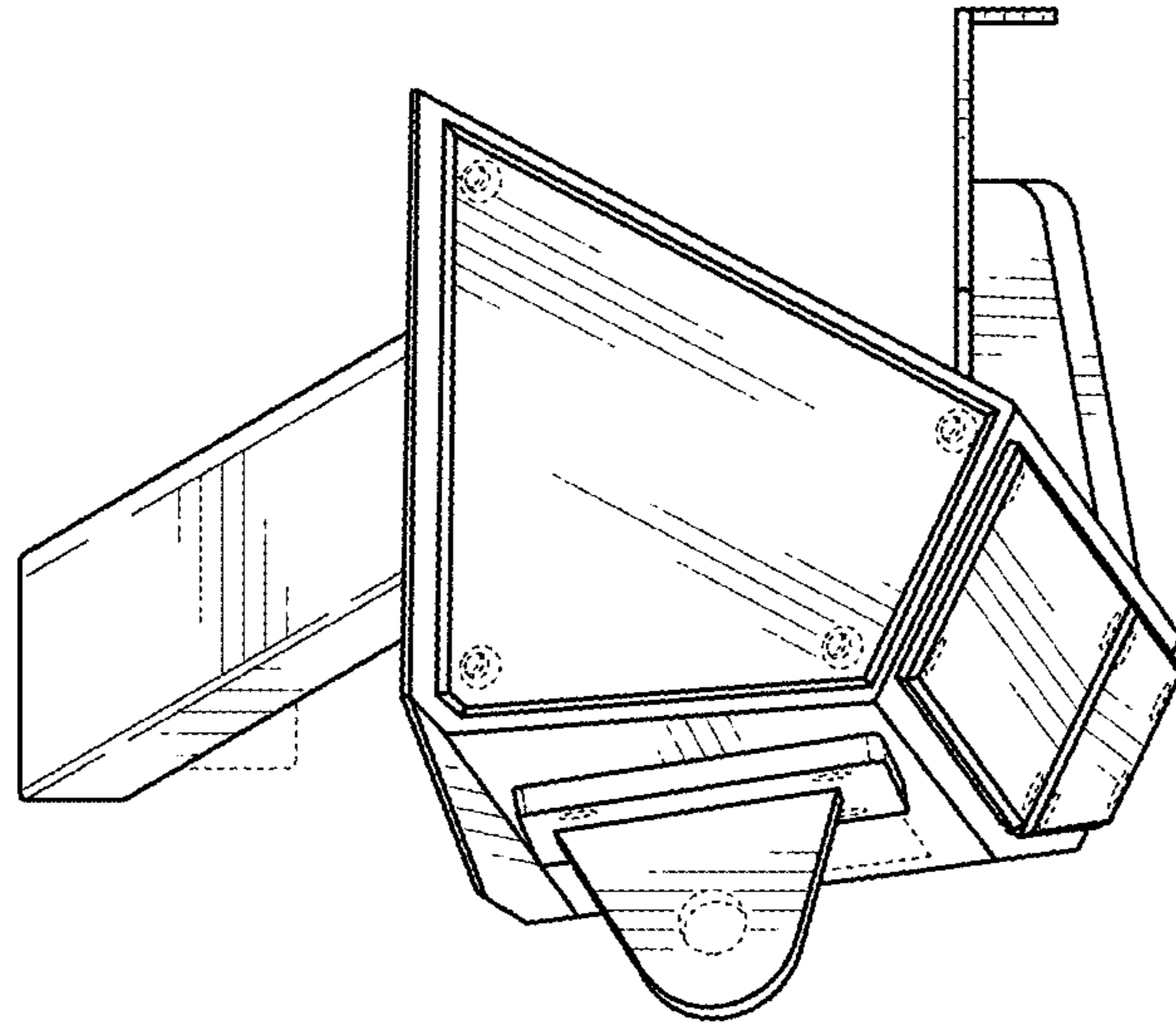


FIG. 5

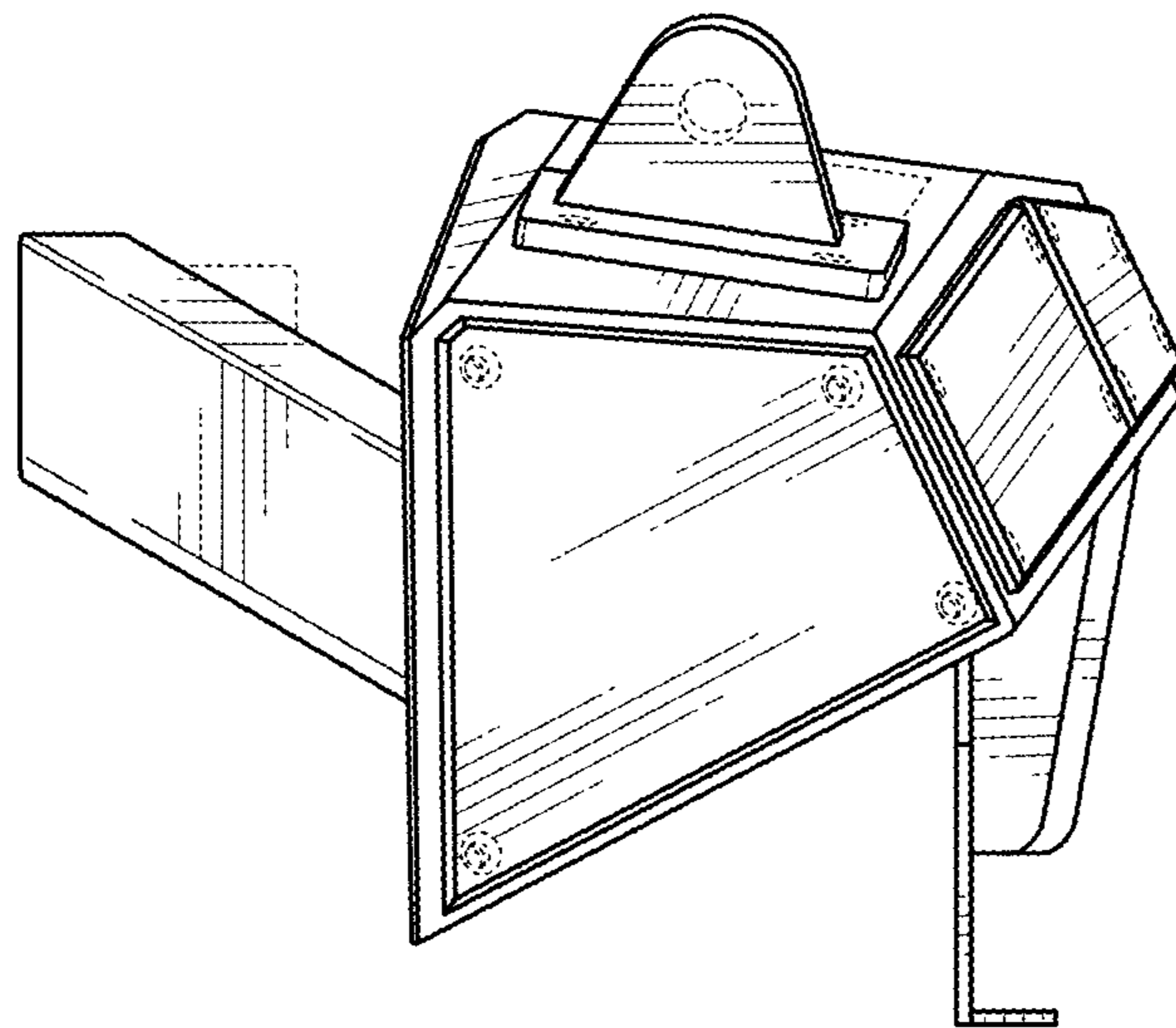


FIG. 4

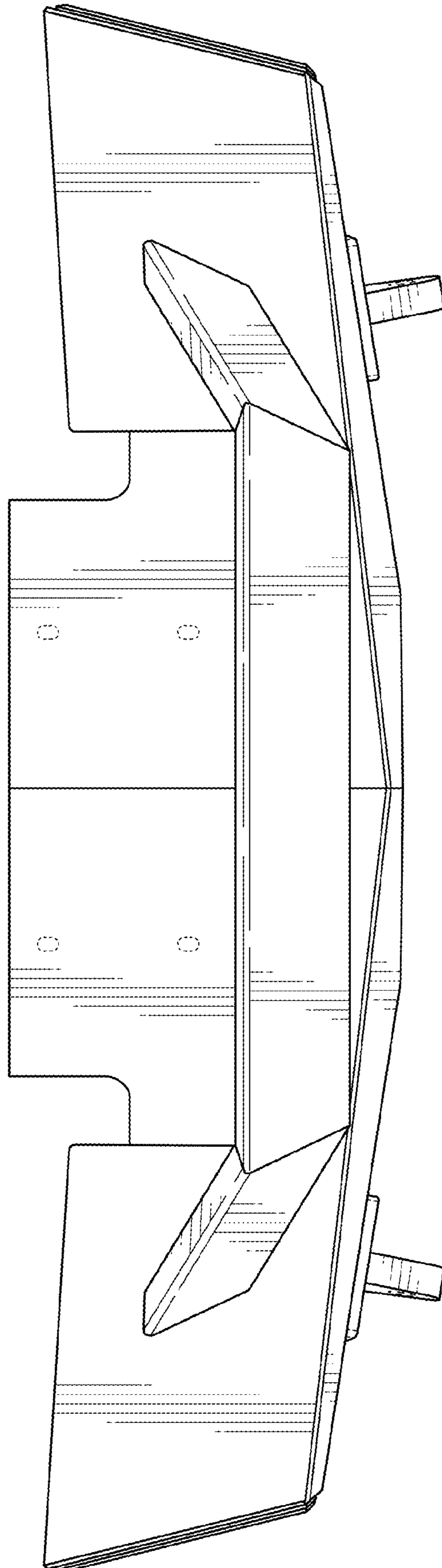


FIG. 6

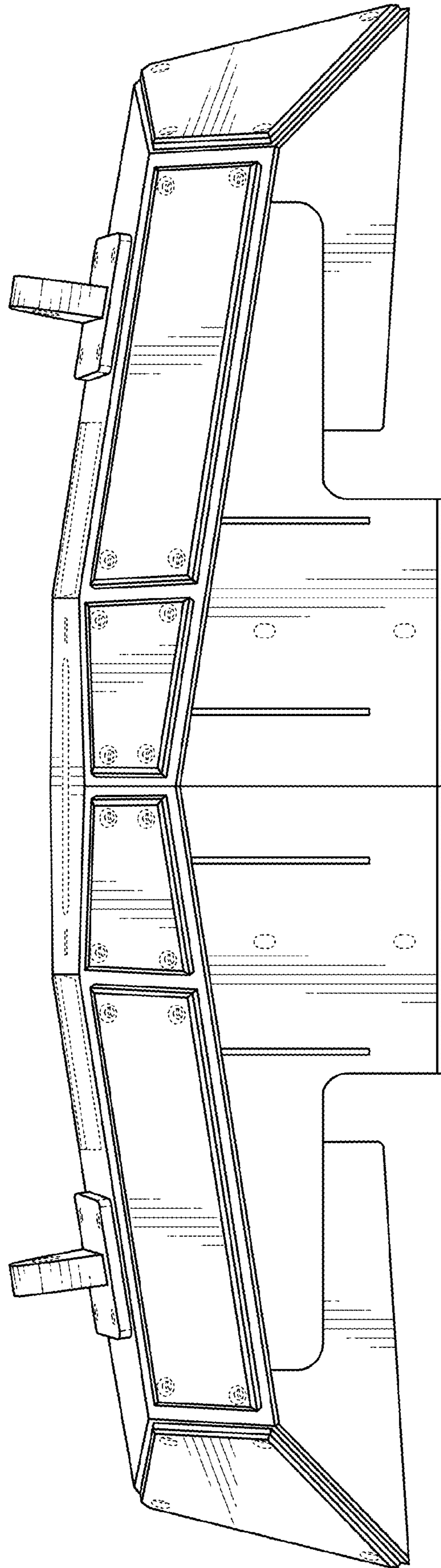


FIG. 7