



US00D889331S

(12) **United States Design Patent** (10) **Patent No.:** **US D889,331 S**
O'Donnell et al. (45) **Date of Patent:** **** Jul. 7, 2020**

(54) **VEHICLE FRONT BUMPER**
(71) Applicant: **GM GLOBAL TECHNOLOGY OPERATIONS LLC**, Detroit, MI (US)
(72) Inventors: **Kevin M. O'Donnell**, Beverly Hills, MI (US); **Jelani A. Aliyu**, Shelby Township, MI (US)
(73) Assignee: **GM GLOBAL TECHNOLOGY OPERATIONS LLC**, Detroit, MI (US)
(**) Term: **15 Years**
(21) Appl. No.: **29/683,992**
(22) Filed: **Mar. 18, 2019**

D759,555 S * 6/2016 Chung D12/169
D777,617 S * 1/2017 Platto D12/169
D778,213 S * 2/2017 Platto D12/169
D805,445 S * 12/2017 Villamizar D12/169
D807,788 S * 1/2018 Hatton D12/91
D813,731 S 3/2018 McMahan
D813,732 S 3/2018 Whitla et al.
D813,733 S 3/2018 Lee
D813,734 S 3/2018 Nakamura
D813,740 S 3/2018 Park
D813,741 S 3/2018 Perkins
D813,742 S 3/2018 McMahan et al.
D813,743 S 3/2018 Lee
D813,744 S 3/2018 Whitla et al.
D813,748 S 3/2018 Kim
D813,753 S 3/2018 Loeb
D813,754 S 3/2018 Loeb
D813,755 S 3/2018 Loeb
D813,756 S 3/2018 Loeb
D813,757 S 3/2018 Kozub
D813,758 S 3/2018 Gonzales
D813,759 S 3/2018 Perkins
D814,369 S 4/2018 Loeb

Related U.S. Application Data

(62) Division of application No. 29/628,489, filed on Dec. 5, 2017, now Pat. No. Des. 860,078.
(51) **LOC (12) Cl.** **12-16**
(52) **U.S. Cl.**
USPC **D12/169**
(58) **Field of Classification Search**
USPC D12/169, 164, 196, 171, 163, 86, 90-92;
293/102, 113, 115, 117, 120; 296/180.1,
296/180.2
CPC B60R 19/02; B60R 19/04; B62D 25/08
See application file for complete search history.

References Cited

U.S. PATENT DOCUMENTS

D608,703 S * 1/2010 Iwasaki D12/169
D609,143 S * 2/2010 Krugger D12/169
D610,057 S * 2/2010 Watanabe D12/169
D741,223 S * 10/2015 Kim D12/91
D748,542 S * 2/2016 Horiuchi D12/169
D756,275 S * 5/2016 Ino D12/169

(Continued)

Primary Examiner — Melody N Brown

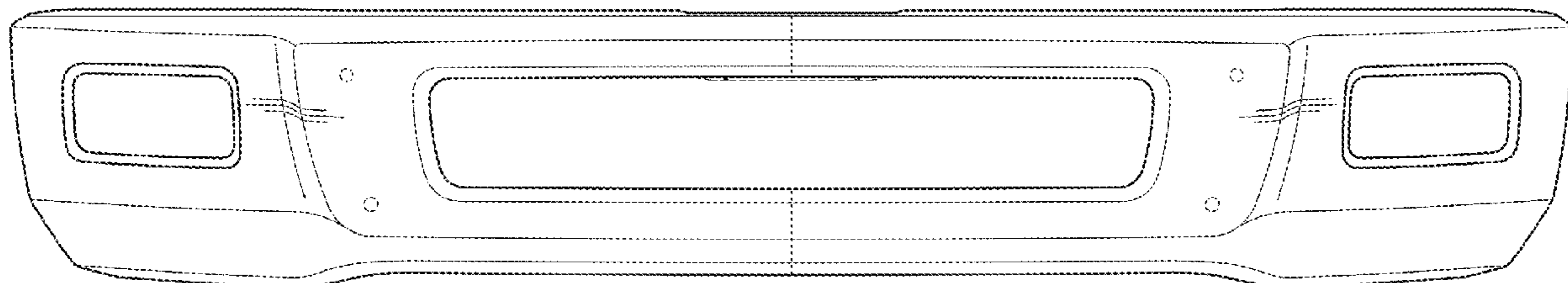
(57) **CLAIM**

The ornamental design for a vehicle front bumper, as shown and described.

DESCRIPTION

FIG. 1 is a perspective view of a vehicle front bumper according to our new design;
FIG. 2 is a front view thereof;
FIG. 3 is a left-side view thereof, the right-side view is a mirror image of the left-side view;
FIG. 4 is a top view thereof; and,
FIG. 5 is a bottom view thereof.
The broken lines in the drawings depict portions of the vehicle front bumper that form no part of the claimed design.

1 Claim, 3 Drawing Sheets



(56)

References Cited

U.S. PATENT DOCUMENTS

D814,982 S	4/2018	Whitla et al.	D819,505 S	6/2018	McMahan et al.
D814,983 S	4/2018	Whitla et al.	D819,519 S	6/2018	Whitla et al.
D814,995 S *	4/2018	Bucher D12/169	D819,520 S *	6/2018	Platto D12/169
D815,570 S	4/2018	McMahan et al.	D821,617 S	6/2018	Perkins
D815,572 S	4/2018	Perkins	D822,550 S	7/2018	Wassell et al.
D815,573 S	4/2018	Whitla et al.	D822,551 S	7/2018	McMahan et al.
D815,574 S	4/2018	Mainville	D823,188 S	7/2018	Loeb
D815,985 S	4/2018	Mueller	D823,738 S	7/2018	Kim
D815,993 S	4/2018	Kozub et al.	D823,741 S	7/2018	Kim
D815,994 S	4/2018	Nakamura	D823,762 S	7/2018	Loeb
D816,003 S	4/2018	Perkins	D823,763 S	7/2018	Koo et al.
D816,558 S	5/2018	McMahan et al.	D824,811 S	8/2018	Mainville
D816,559 S	5/2018	McMahan et al.	D824,812 S	8/2018	Loeb
D816,561 S	5/2018	McMahan	D824,824 S	8/2018	Kim
D816,562 S	5/2018	Whitla et al.	D824,825 S	8/2018	Loeb
D816,563 S	5/2018	McMahan et al.	D825,083 S	8/2018	Perkins
D816,564 S	5/2018	Kim	D825,388 S	8/2018	Karras et al.
D816,565 S	5/2018	Kim	D825,403 S	8/2018	Whitla et al.
D816,566 S	5/2018	Loeb	D826,114 S	8/2018	Smith et al.
D817,825 S *	5/2018	Anderson D12/169	D826,435 S	8/2018	Kim
D817,836 S	5/2018	McMahan et al.	D826,803 S	8/2018	Smith et al.
D818,156 S	5/2018	Kim et al.	D827,506 S	9/2018	McMahan et al.
D818,157 S	5/2018	Zipfel et al.	D827,508 S	9/2018	Whitla et al.
D818,158 S	5/2018	Zipfel et al.	D827,510 S	9/2018	Kim
D818,159 S	5/2018	Zipfel et al.	D827,527 S	9/2018	Loeb
D818,160 S	5/2018	Perkins	D828,246 S	9/2018	Loeb
D818,406 S	5/2018	McMahan et al.	D828,261 S	9/2018	Moffett et al.
D818,876 S	5/2018	Whitla et al.	D828,935 S	9/2018	Hochmuth
D818,877 S	5/2018	Nakamura et al.	D829,622 S	10/2018	Jacob
D818,878 S	5/2018	McMahan et al.	D830,241 S	10/2018	Kozub
D818,892 S	5/2018	Lee	D830,242 S	10/2018	Zipfel
D818,893 S	5/2018	Kim	D830,252 S	10/2018	Swanseger
D818,898 S *	5/2018	Anderson D12/169	D830,258 S	10/2018	McMahan et al.
D818,899 S *	5/2018	Waterhouse D12/169	D830,261 S	10/2018	Jacob
D818,902 S *	5/2018	Anderson D12/169	D830,589 S	10/2018	Henriques
D818,903 S	5/2018	Zipfel et al.	D832,752 S	11/2018	Lee
D818,906 S	5/2018	McMahan	D833,340 S *	11/2018	Waterhouse D12/169
D818,907 S	5/2018	Whitla et al.	D833,341 S *	11/2018	Anderson D12/169
D818,915 S	5/2018	Kozub et al.	D835,003 S	12/2018	Thompson et al.
D818,922 S	5/2018	Whitla et al.	D835,012 S	12/2018	Smith et al.
			D873,732 S *	1/2020	Gillam D12/169

* cited by examiner

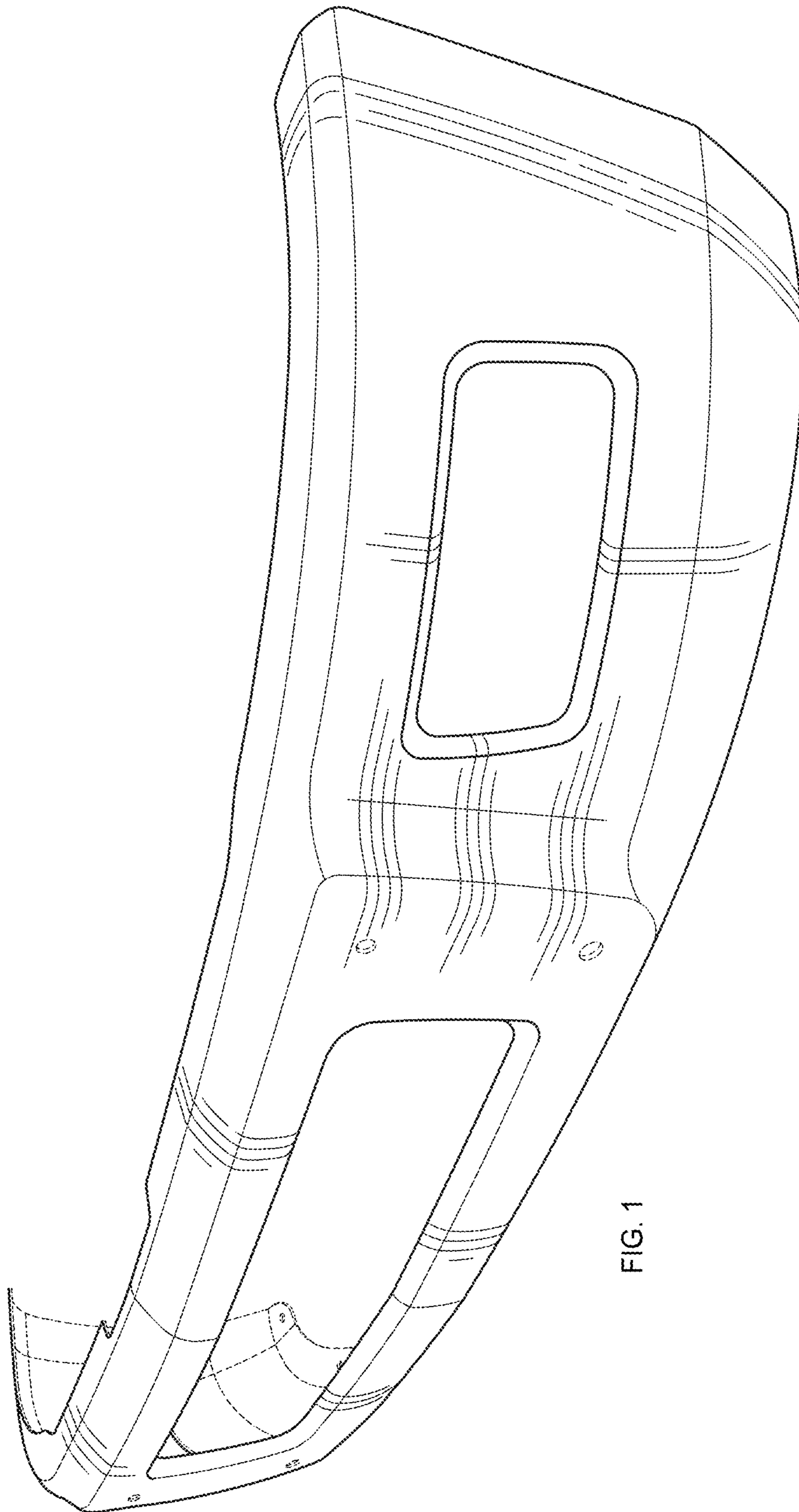


FIG. 1

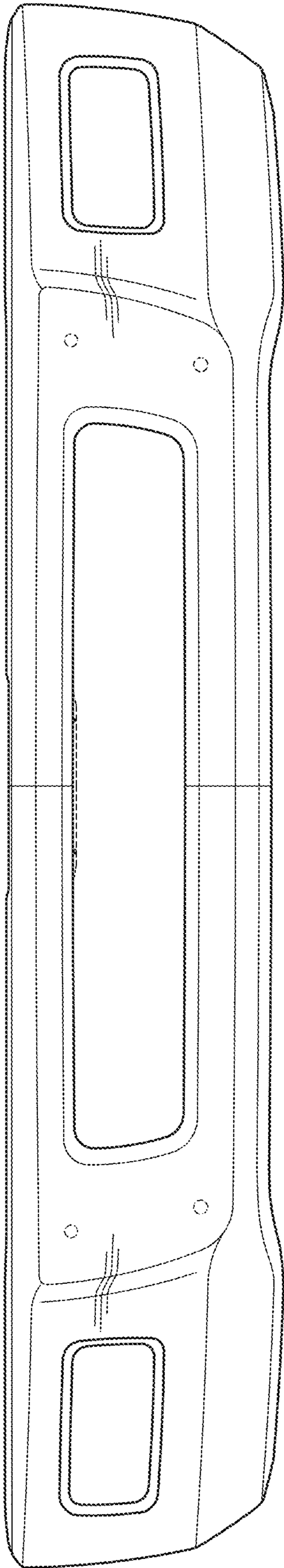


FIG. 2

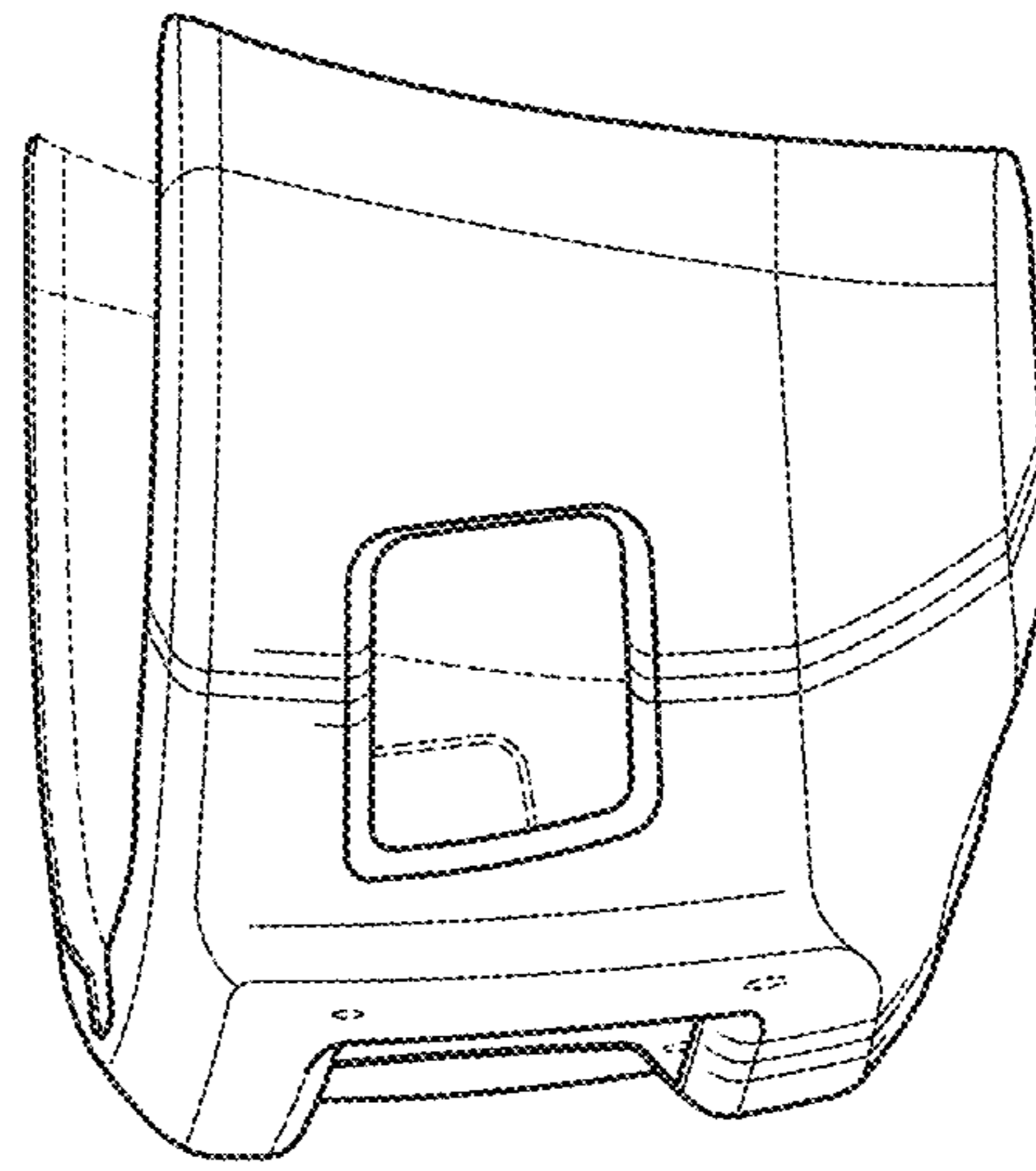


FIG. 3

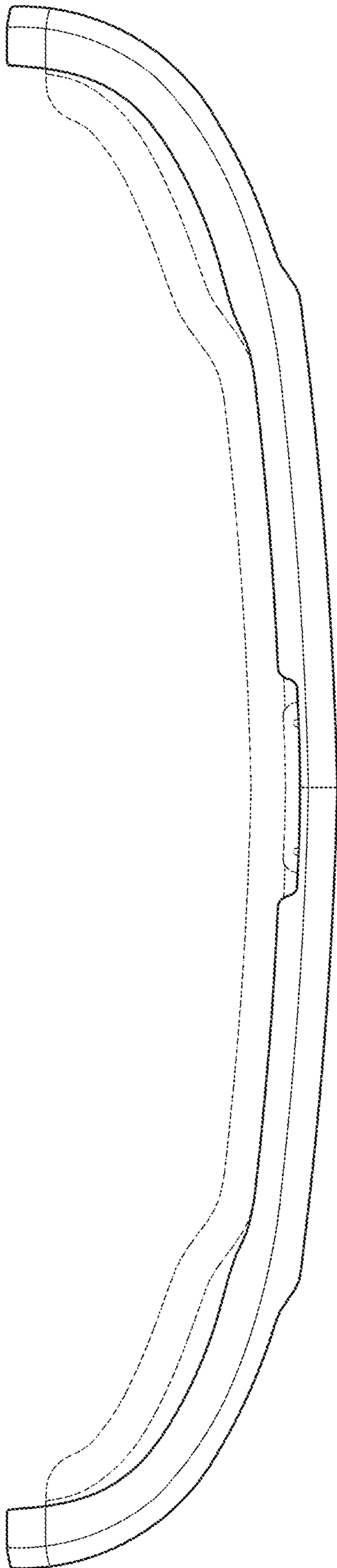


FIG. 4

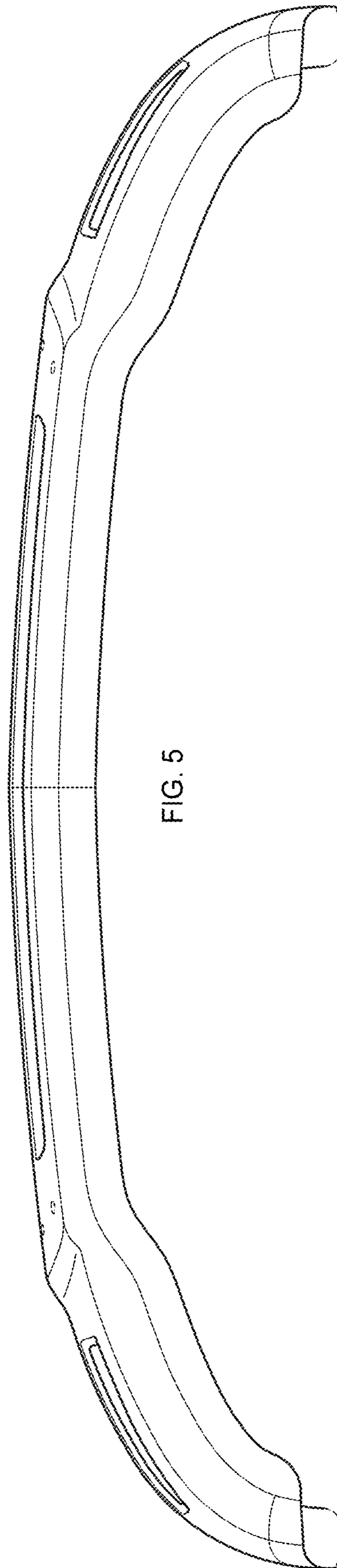


FIG. 5